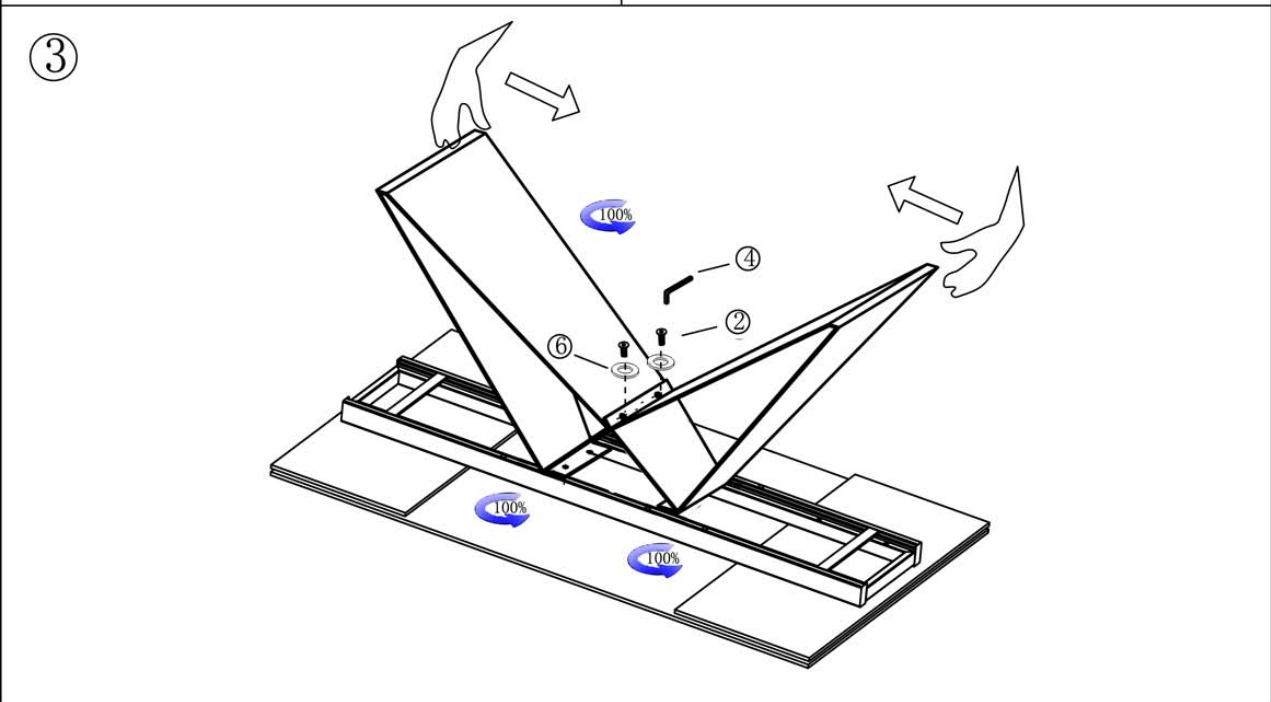
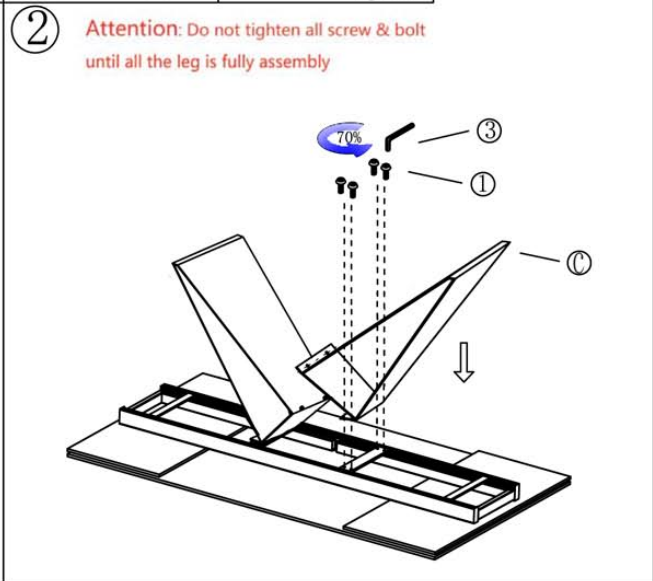
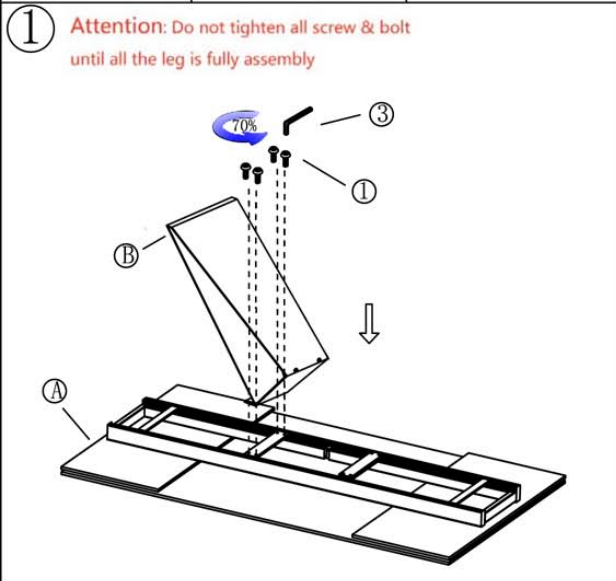
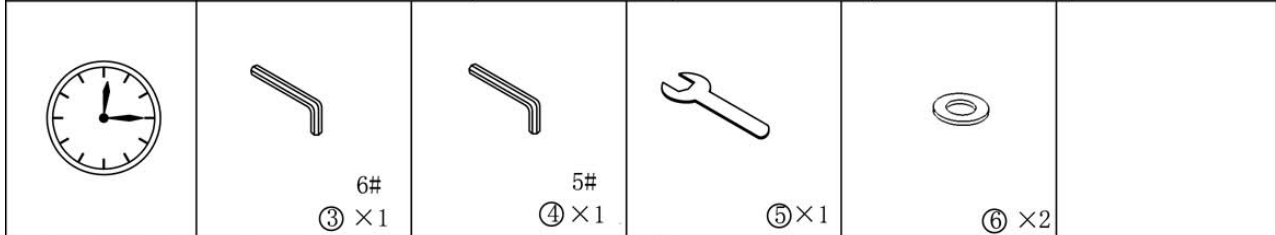
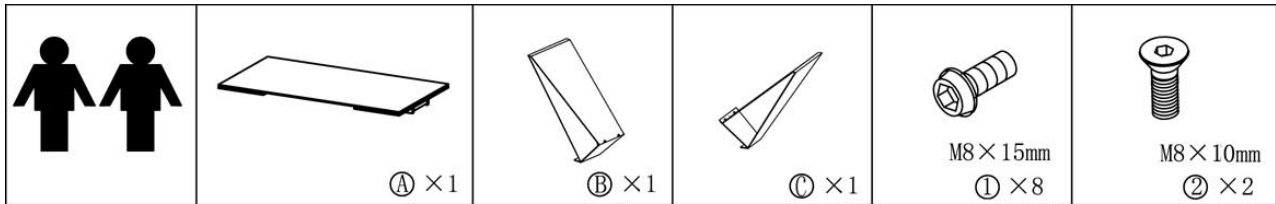
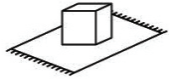


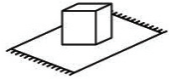


**GENERAL NOTE: CAREFULLY REMOVE ALL WRAPPING MATERIALS AND ENSURE ALL PARTS ARE ACCOUNTED FOR. ASSEMBLE ON A CLEAN FLAT SURFACE TO AVOID SCRATCHES. DO NOT DISCARD THE PACKAGING UNTIL ITEM IS FULLY ASSEMBLED.**

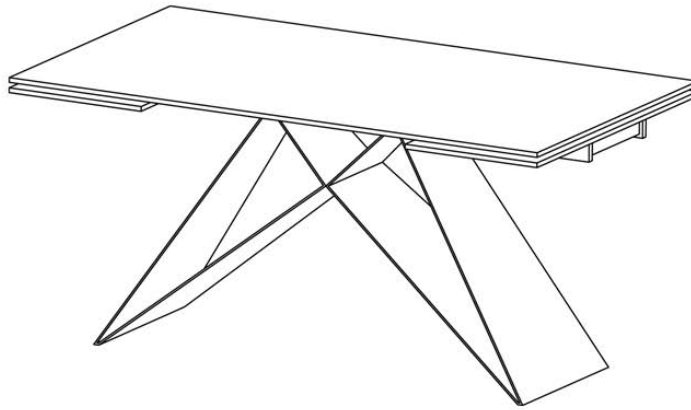




GENERAL NOTE: CAREFULLY REMOVE ALL WRAPPING MATERIALS AND ENSURE ALL PARTS ARE ACCOUNTED FOR. ASSEMBLE ON A CLEAN FLAT SURFACE TO AVOID SCRATCHES. DO NOT DISCARD THE PACKAGING UNTIL ITEM IS FULLY ASSEMBLED.



④



⑤

