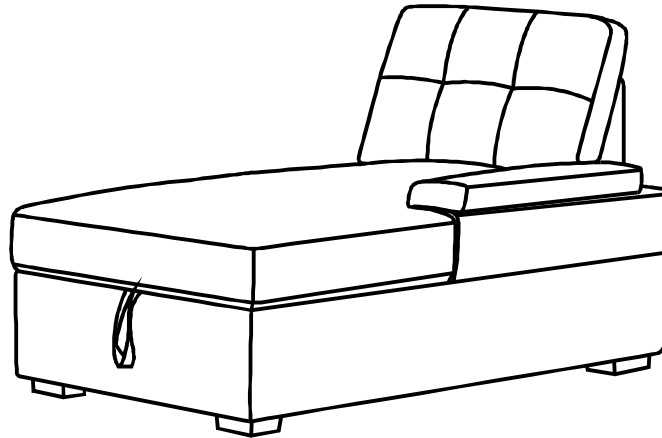


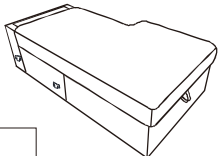
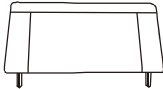
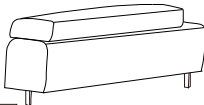
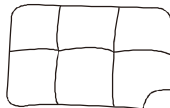


ASSEMBLY INSTRUCTION

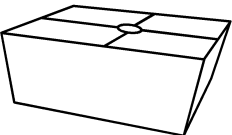



ITEM NO.: F4101/F4102/F4103/F10201/F10202/F10203

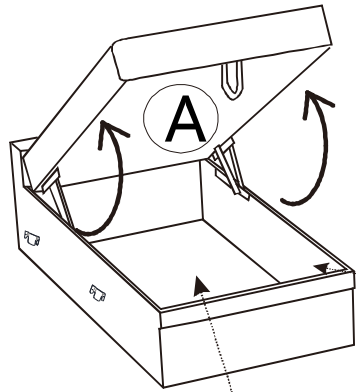






PARTS LIST

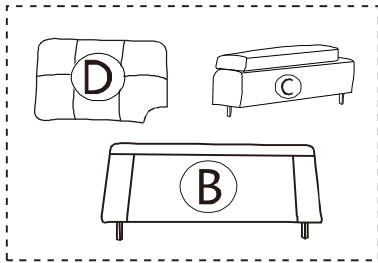
				
A x1	B x1	C x1	D x1	

HARDWARE LIST

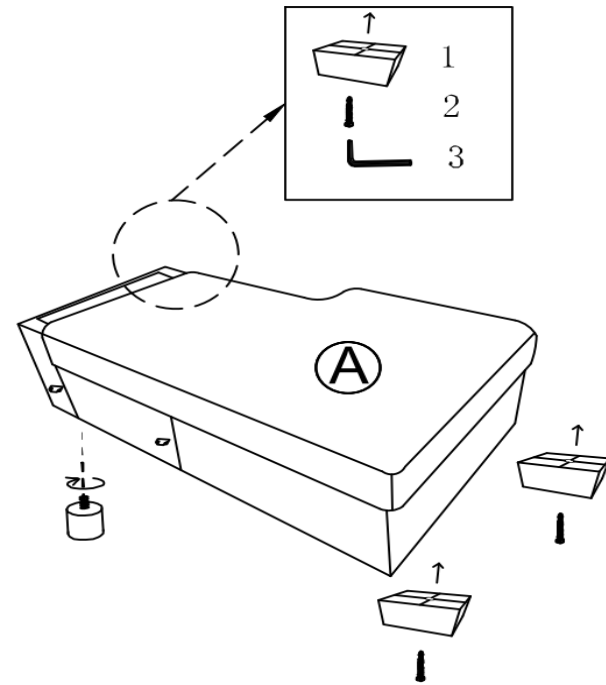
				
1 x3	2 x3	3 x1	4 x1	



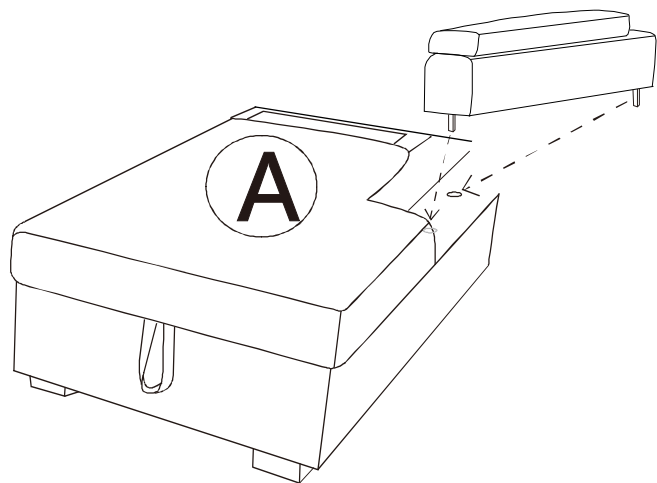
- | | | |
|---|---|----|
|  | 1 | x3 |
|  | 2 | x3 |
|  | 3 | x1 |
|  | 4 | x1 |



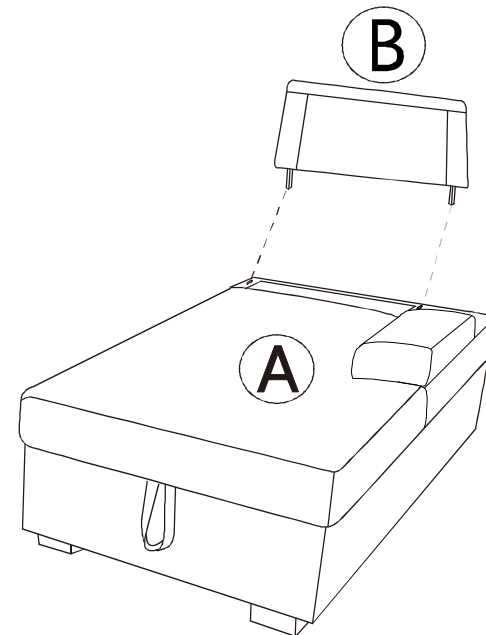
Step1



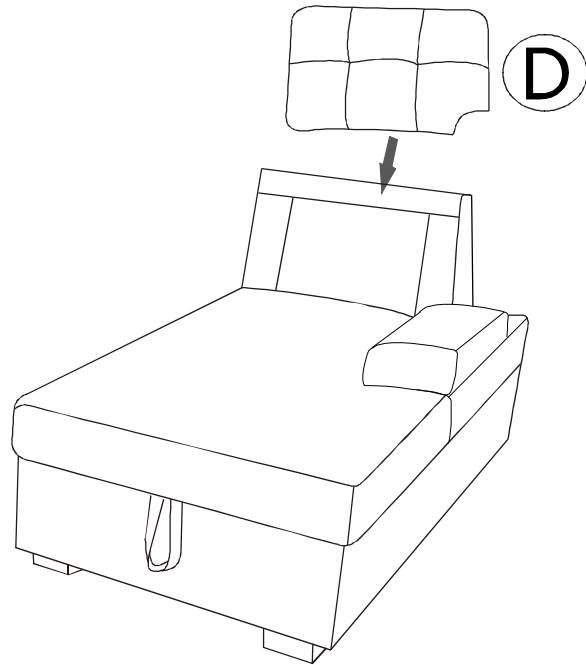
Step2



Step3



Step4



Step5

