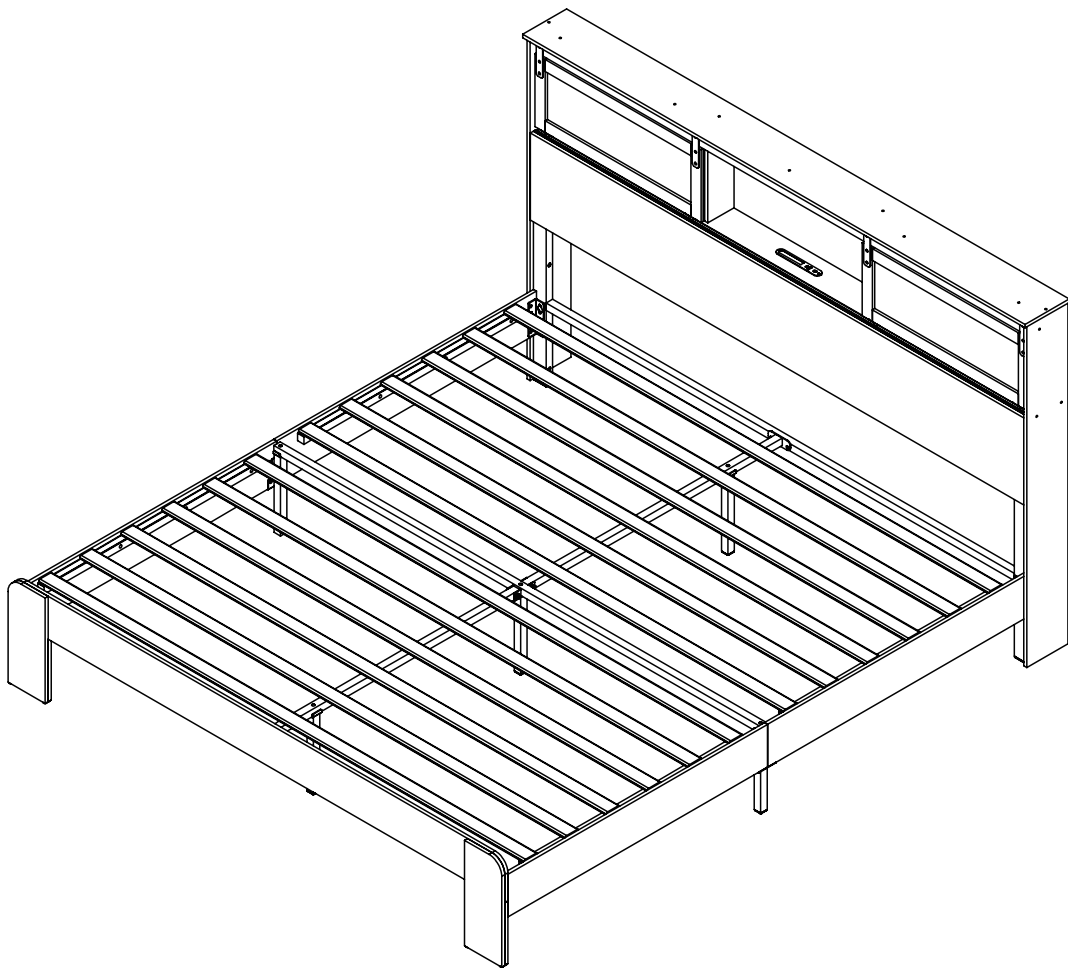
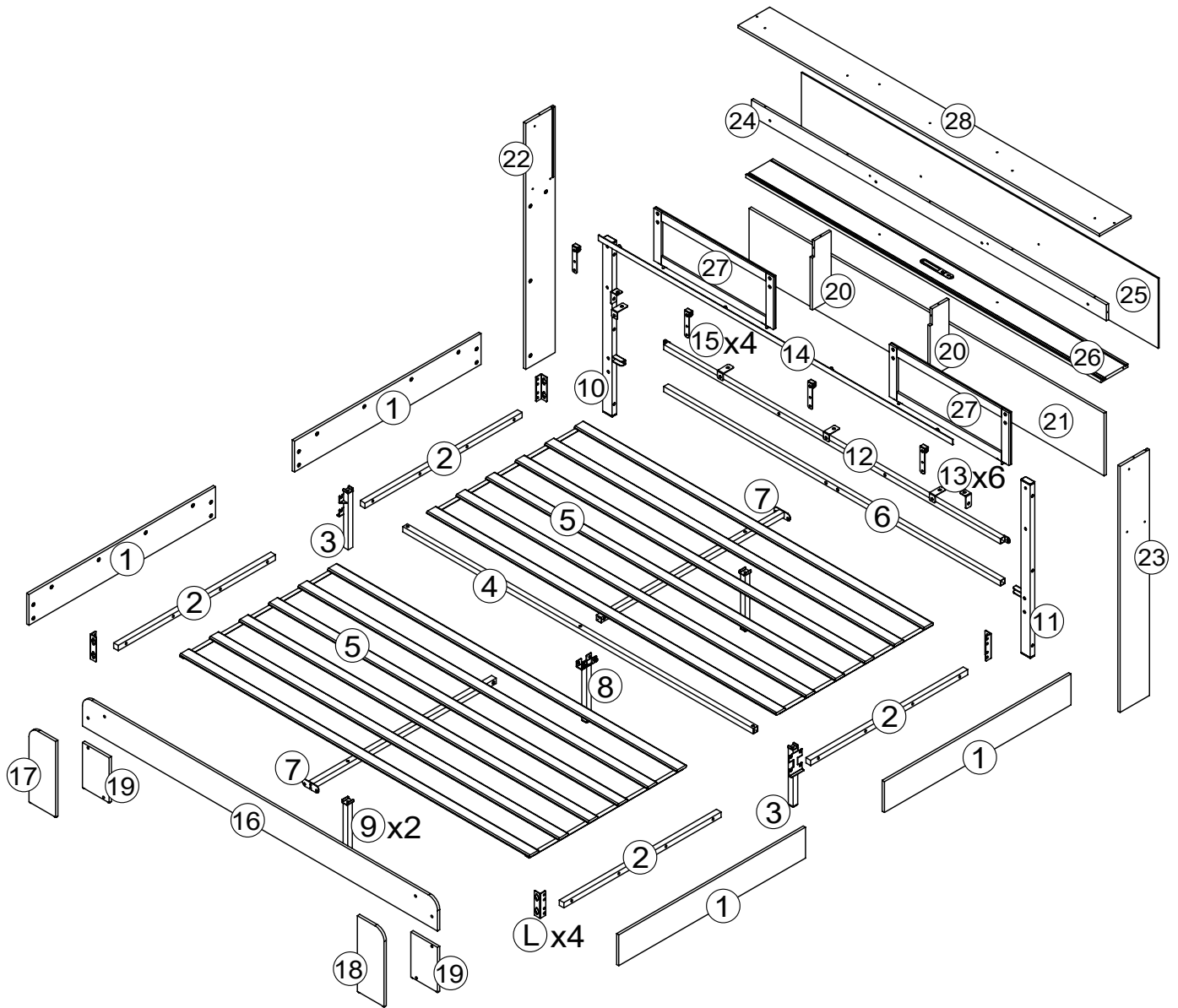


# BED FRAME



Thank you for choosing our products, please assemble and use it following the instructions.

# Assembly Instruction



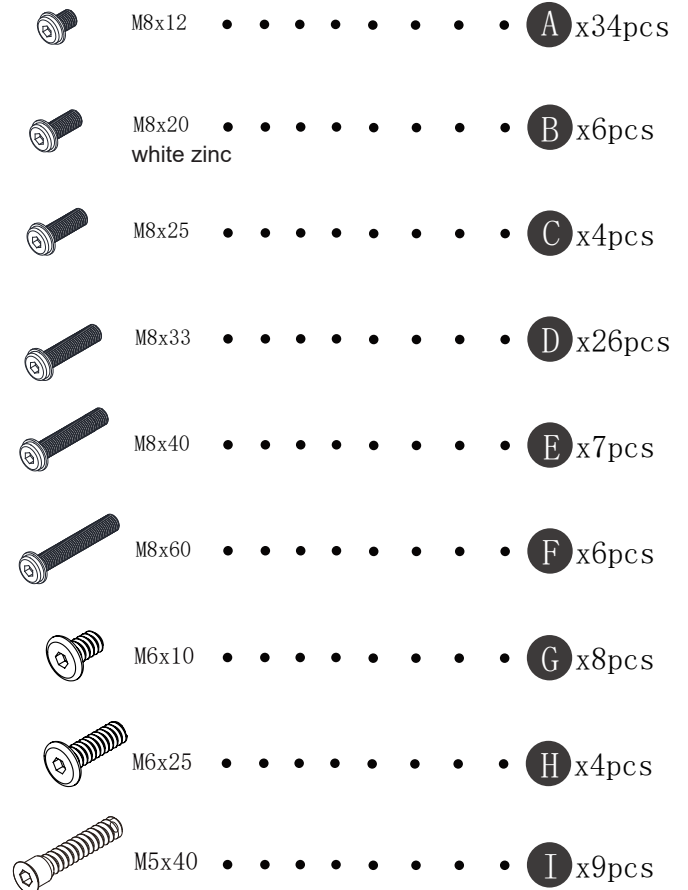
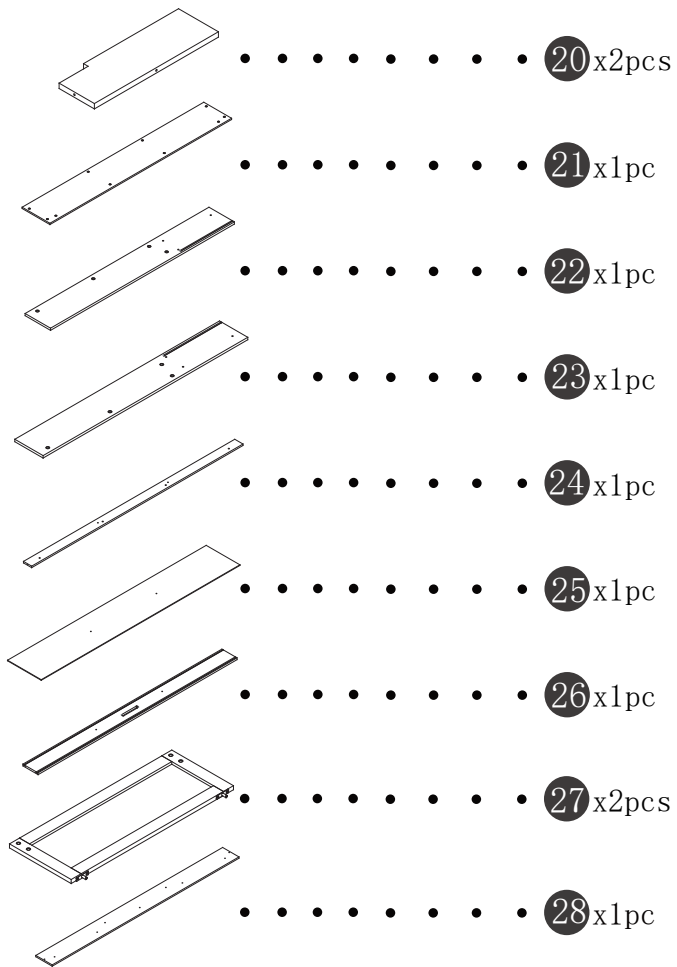
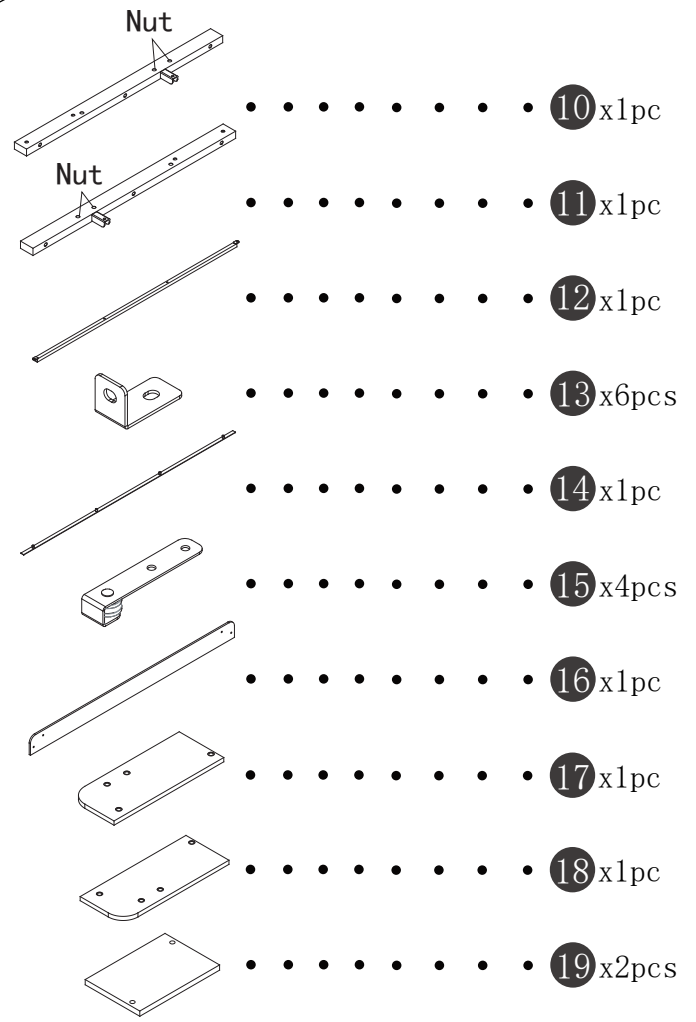
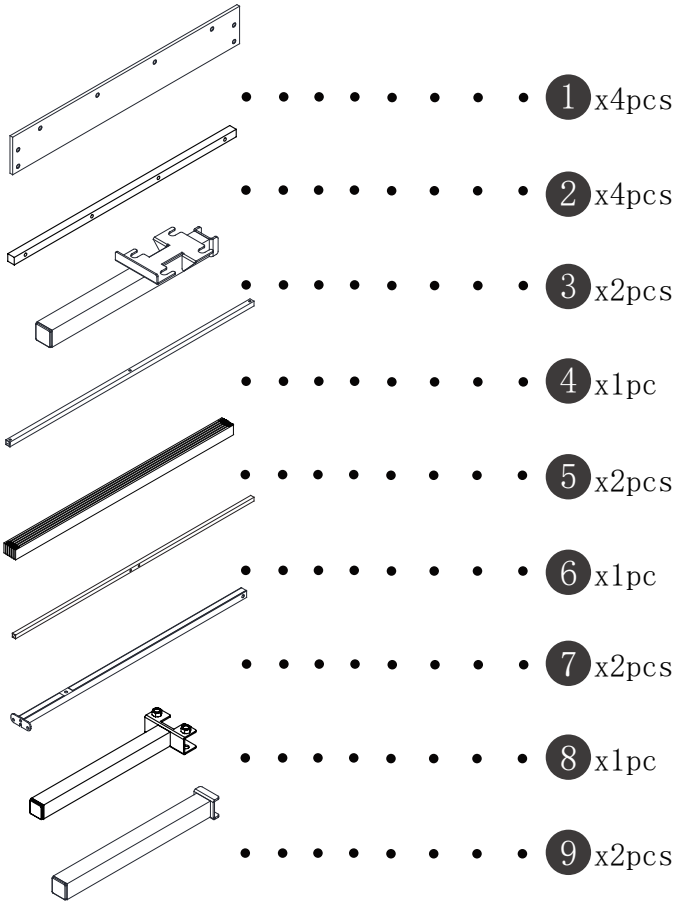
B480-V1-F/Q/K

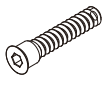
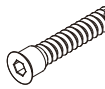

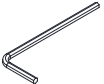
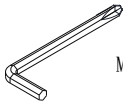

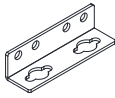
## Important Note

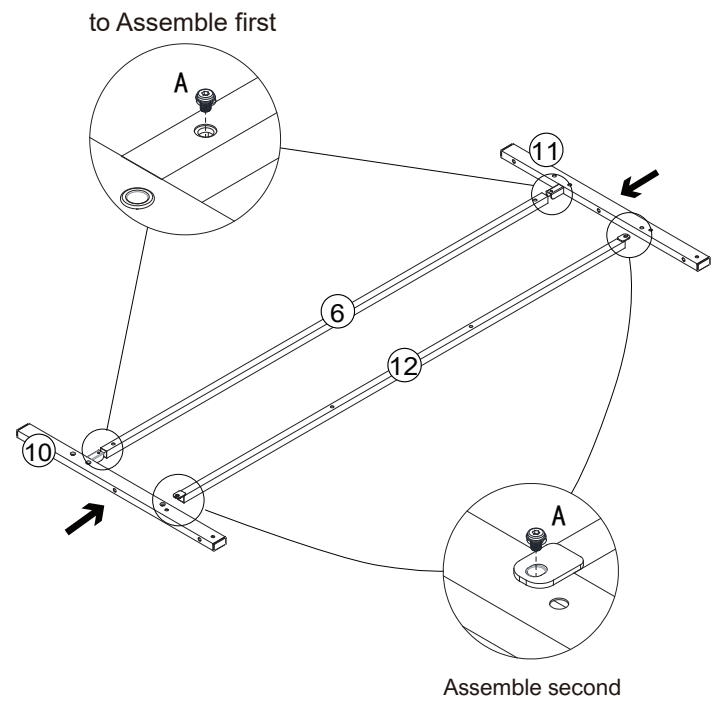
### HARDWARE NOTE :

1. Two or more people are required for assembly
2. Do not screw on the bolts too tight unless the installation is done. Make sure all bolts are tightly screwed before you use it.

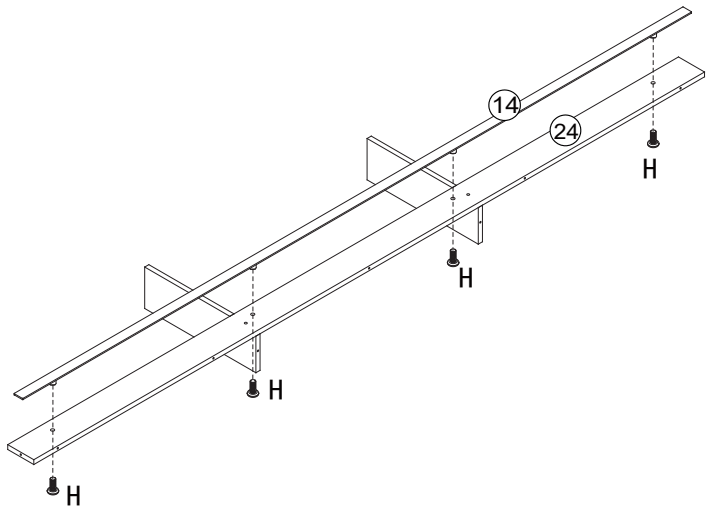
# Components



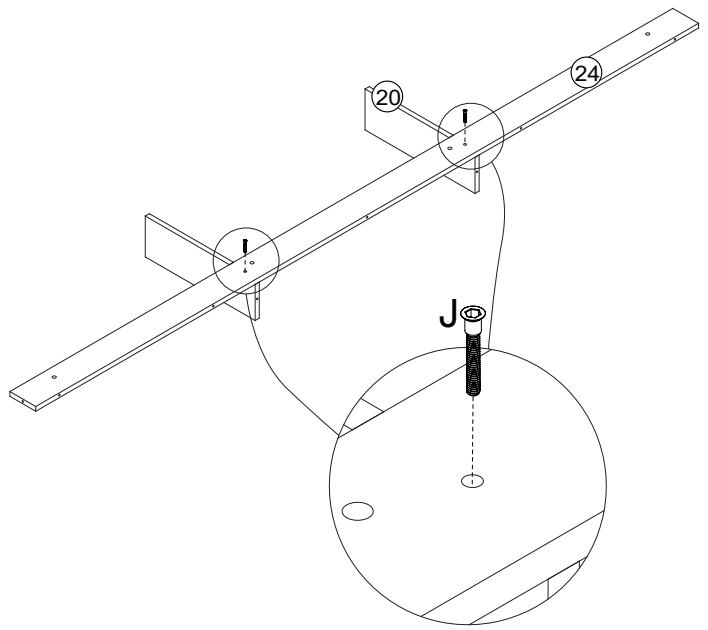
-  M5x30 white zinc •••••••••• **J** x2pcs
-  M5x40 white zinc •••••••••• **K** x10pcs
-  ST4x14 •••••••••• **M** x2pcs
-  M5 •••••••••• **N** x1pc
-  M8 •••••••••• **O** x1pc
-  •••••••••• **U** x1pc
-  •••••••••• **L** x4pcs



A	 M8x12	4pcs
---	--	------

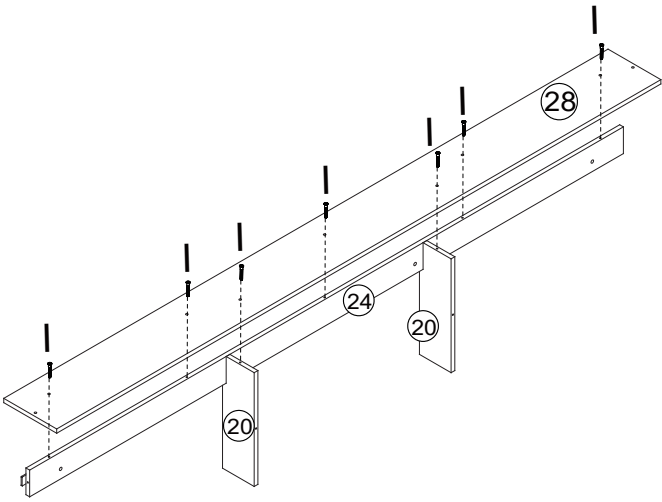



H	 M6x25	4pcs
---	---	------



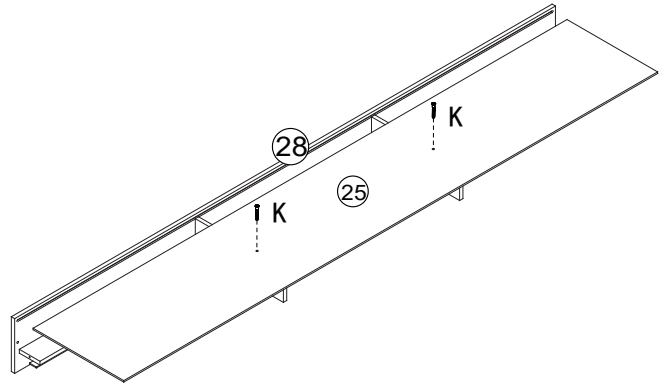
J	 M5x30	2pcs	white zinc
---	---	------	------------

4



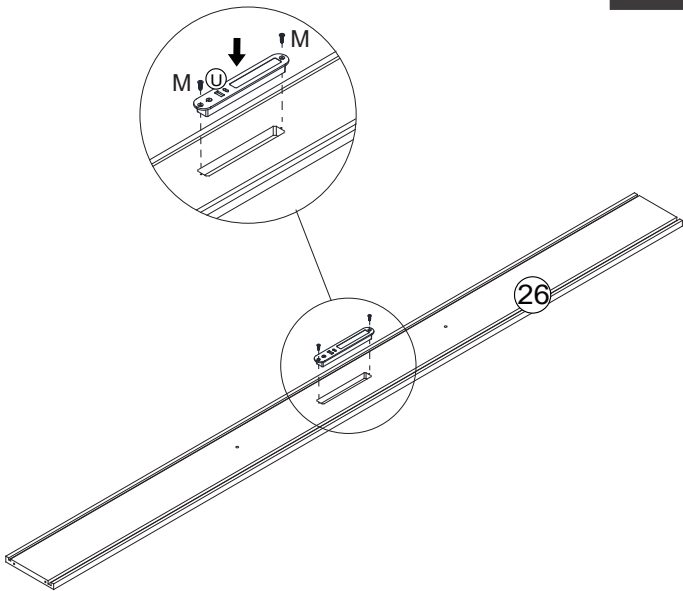
I		7 pcs
M5x40		

5



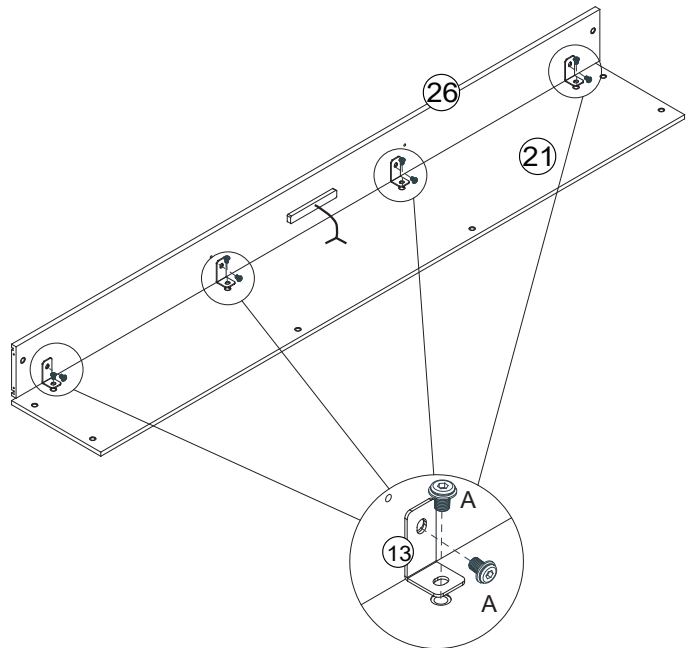
K		2 pcs	white zinc
M5x40			


6



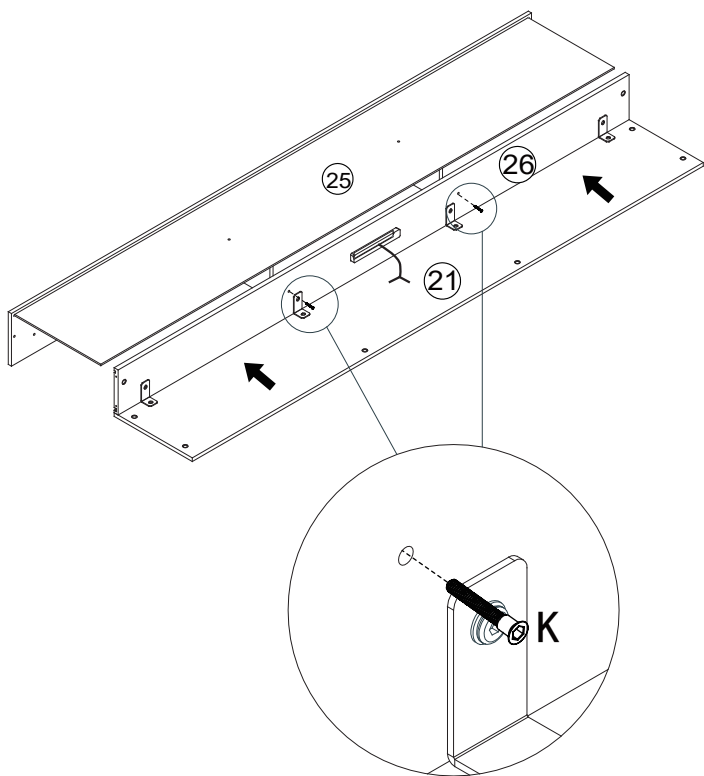
M		2 pcs
ST4x14		

7



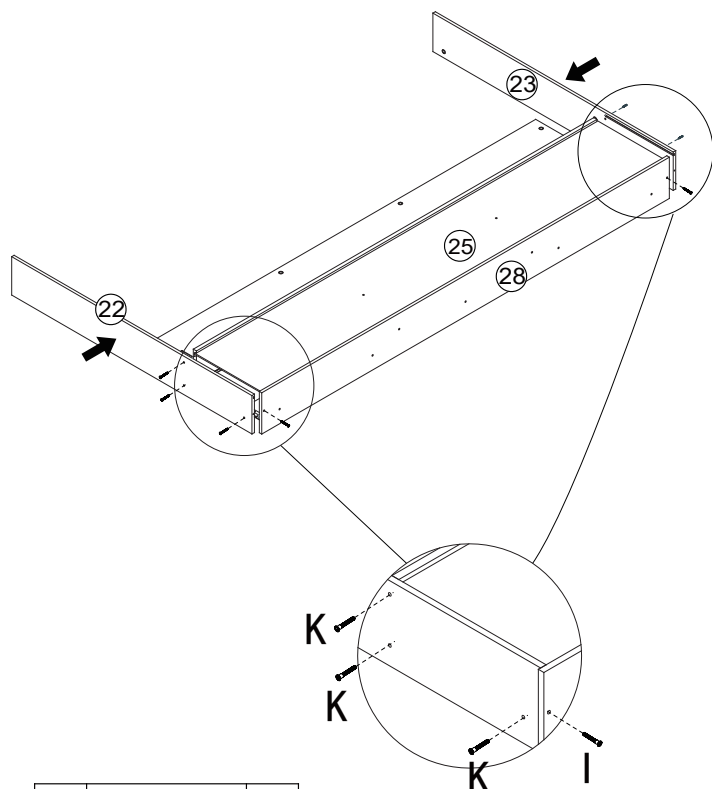
A		8 pcs
M8x12		



8



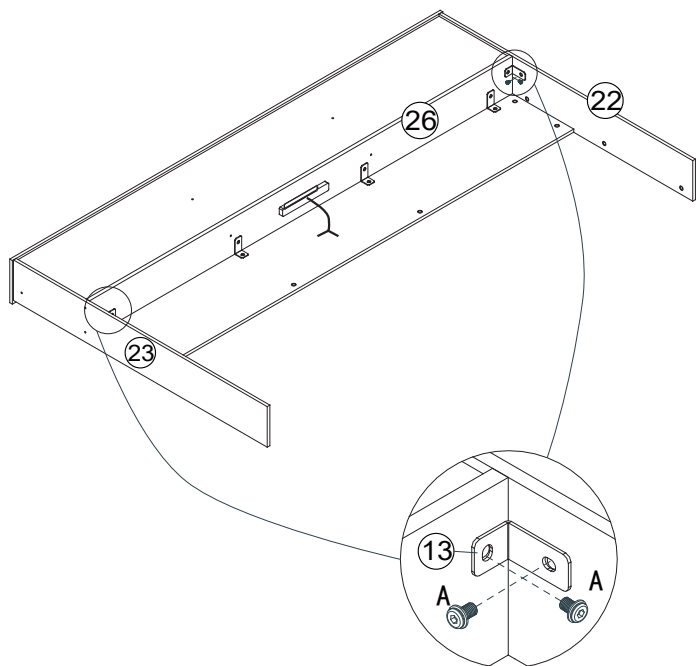
K		2 pcs	white zinc
---	--	-------	------------

9



I		2 pcs	
K		6 pcs	white zinc

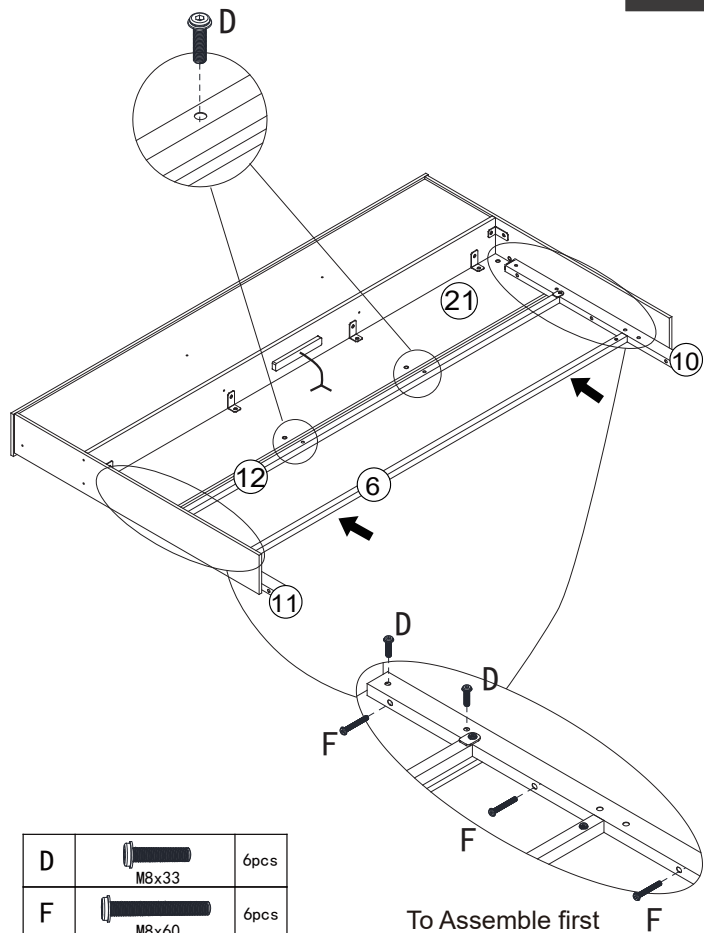
10





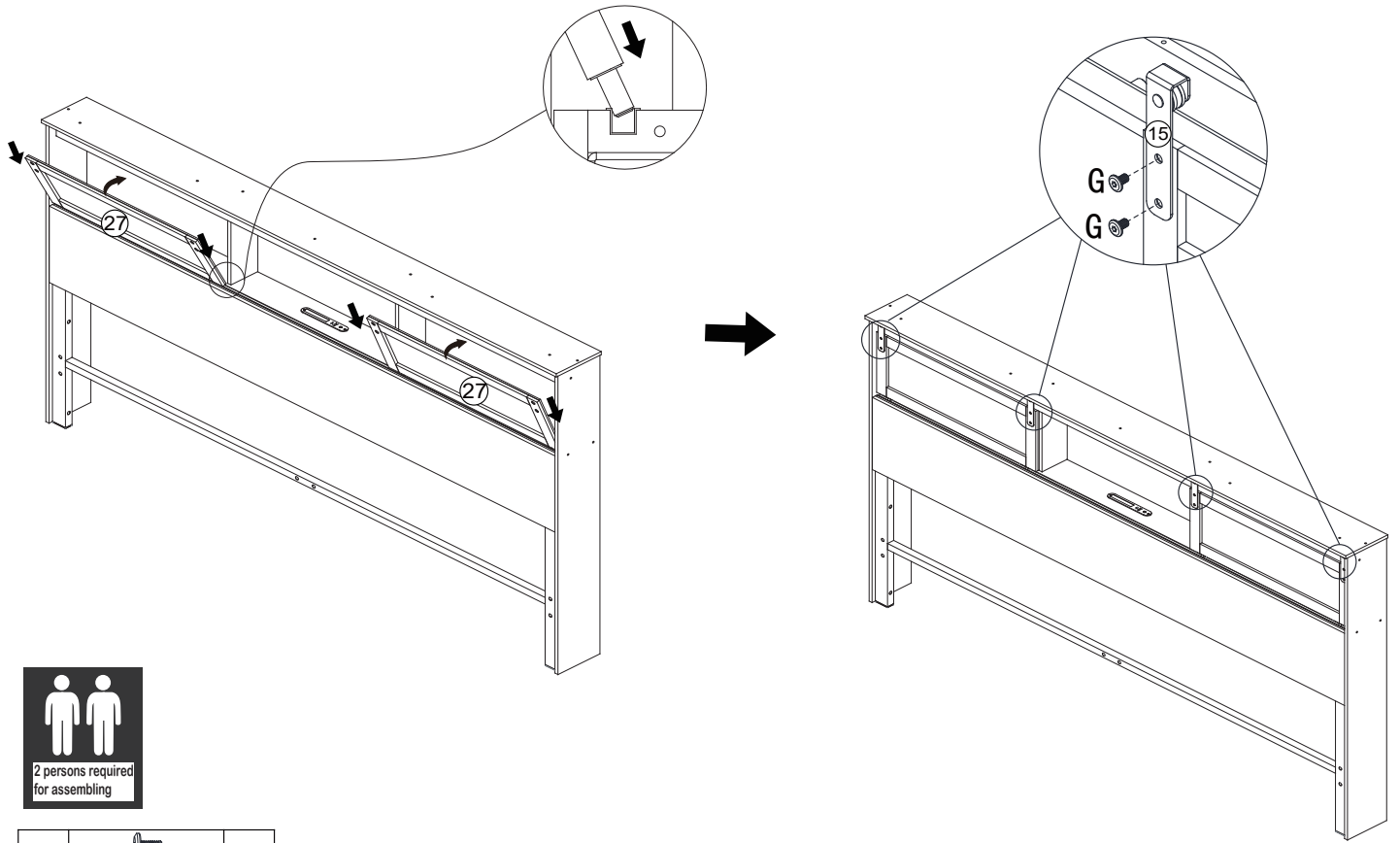
A		4 pcs	
---	---	-------	--

11

Assemble second

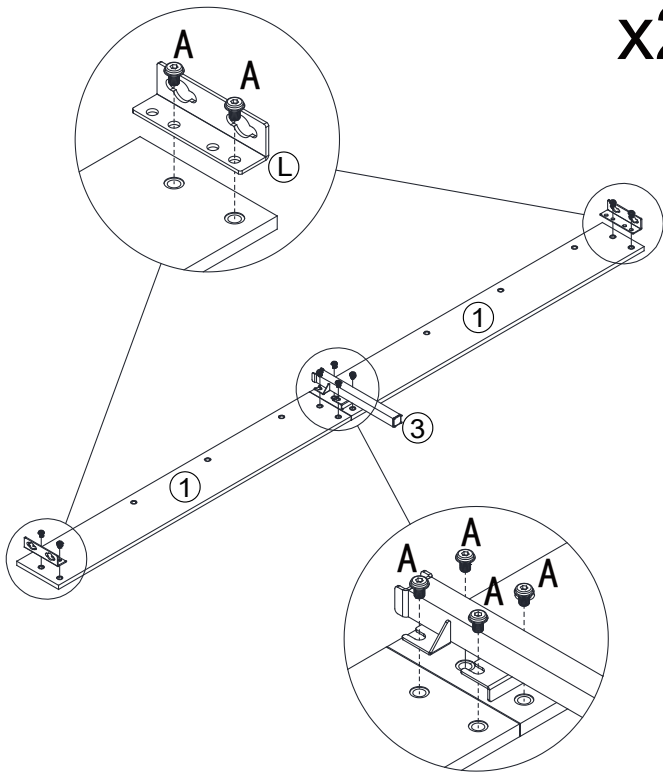


D		6 pcs	
F		6 pcs	



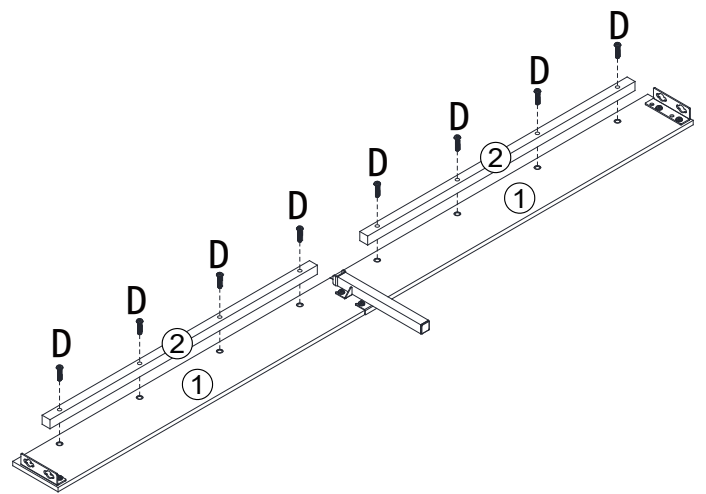
G		8pcs
---	--	------

13  
x2



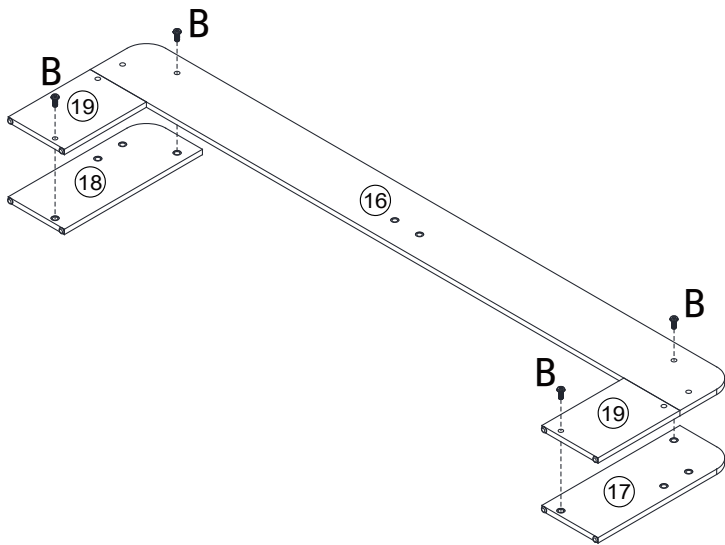
A		16pcs
---	---	-------


14  
x2



D		16pcs
---	---	-------

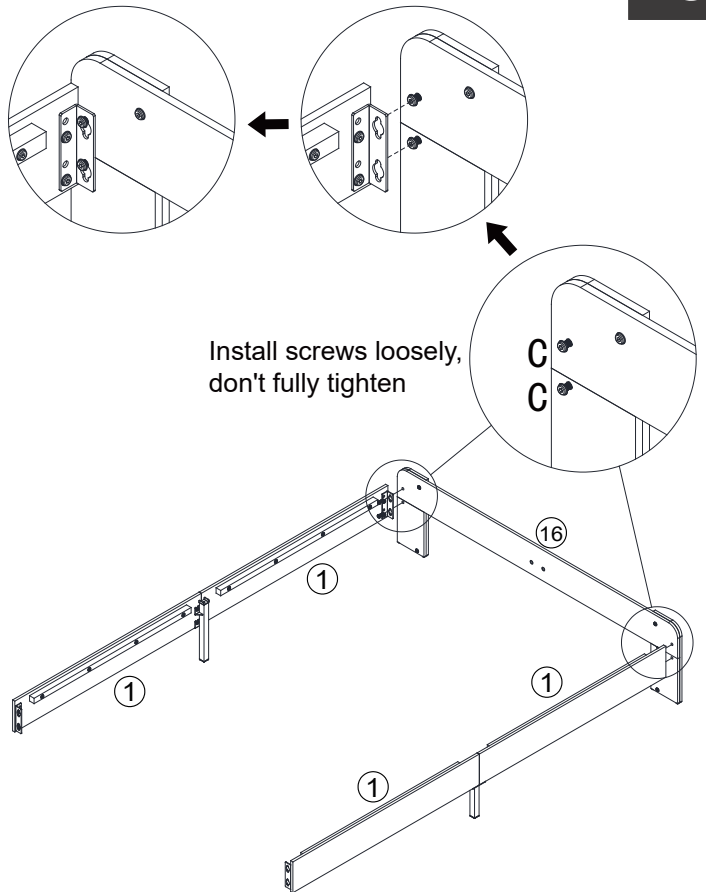
15



**B**  4pcs white zinc  
M8x20

16

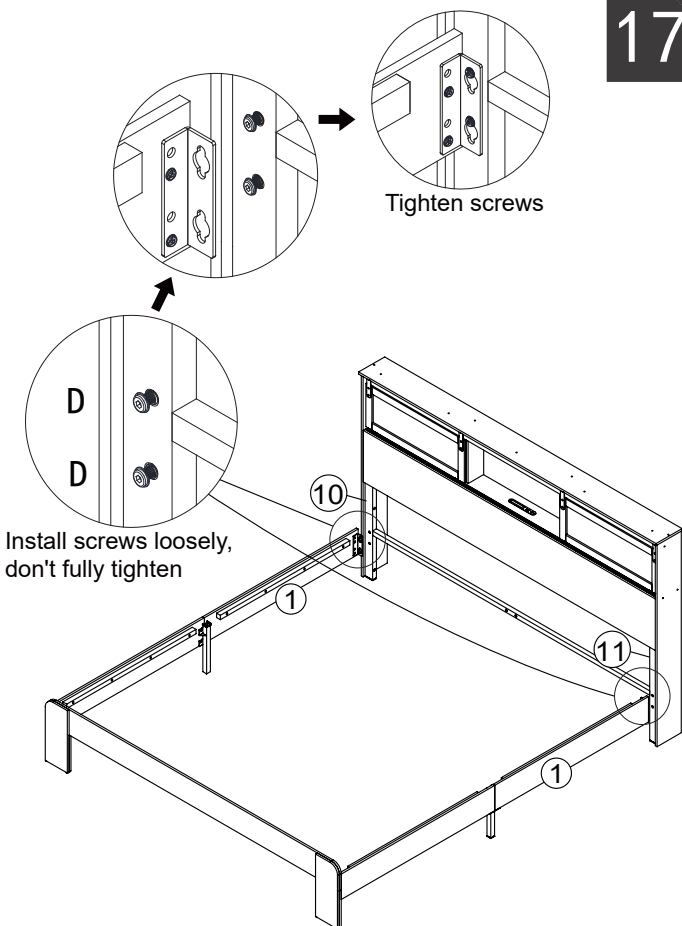
Tighten screws



Install screws loosely,  
don't fully tighten

**C**  4pcs  
M8x25

17

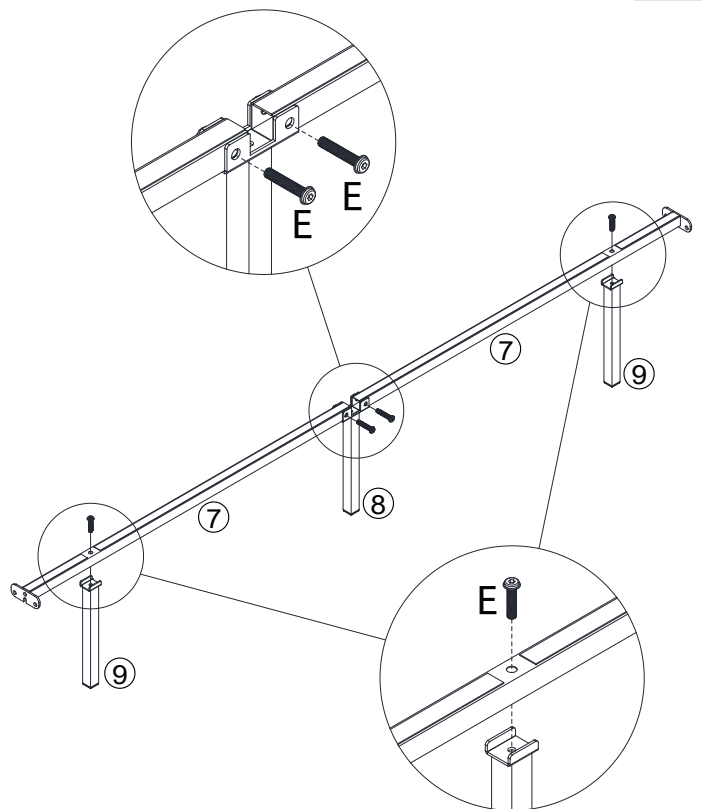



Tighten screws


Install screws loosely,  
don't fully tighten

**D**  4pcs  
M8x33

18

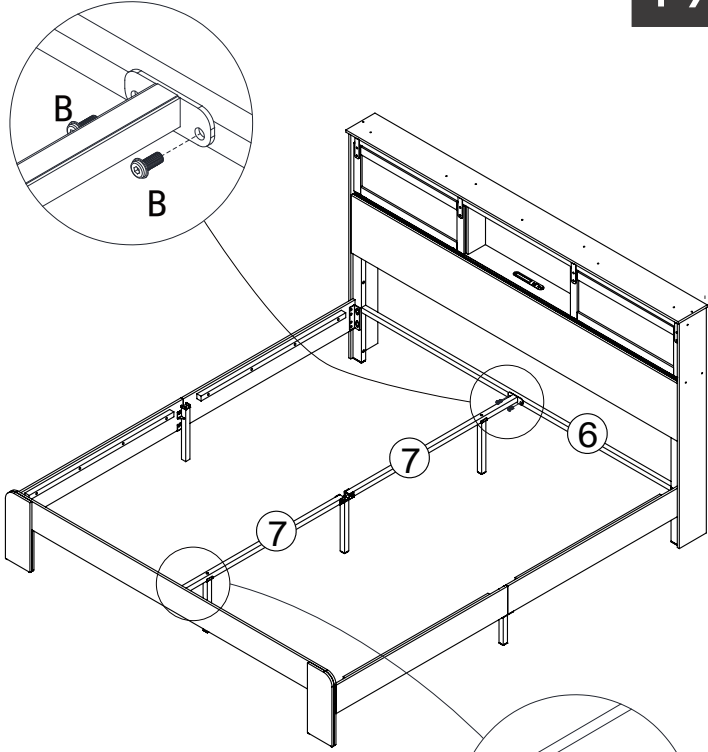




 Do not fully tighten  
the screws yet.

**E**  4pcs  
M8x40

Assemble second

19

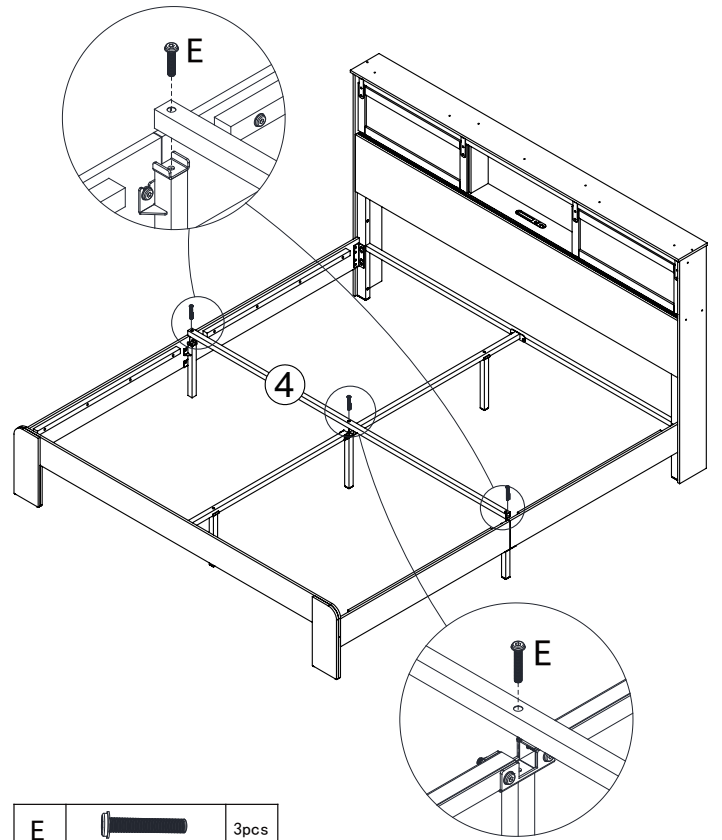


A	 M8x12	2pcs
B	 M8x20	2pcs

white zinc

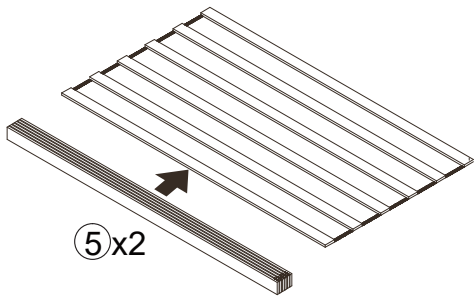
To Assemble first

20

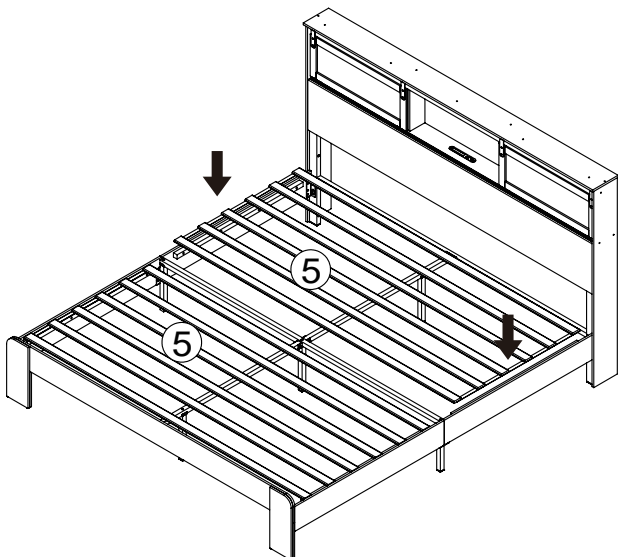


E	 M8x40	3pcs
---	---	------

21

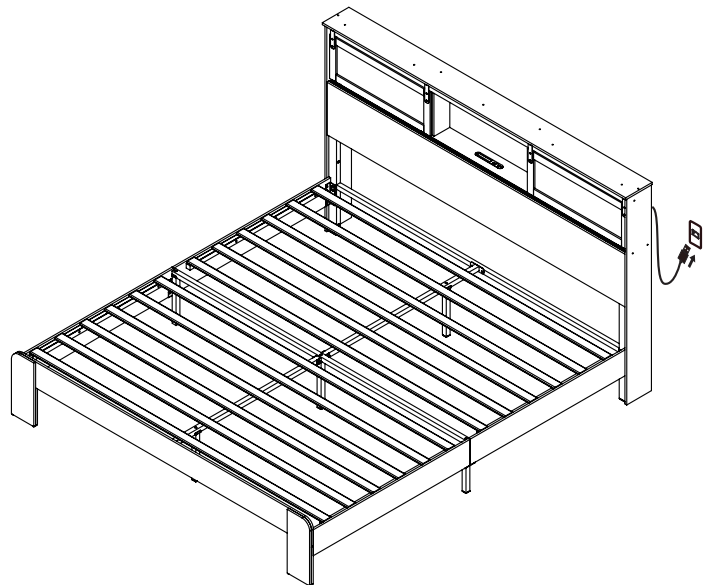


5x2



22

Finish



Note: Now you can tighten all the bolts.