






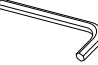


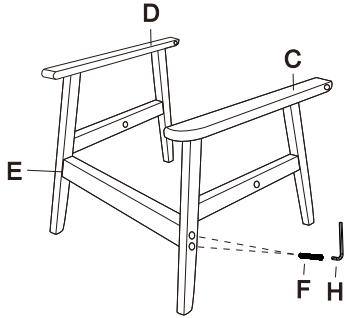


ASSEMBLY INSTRUCTIONS

| | | |
|----------|--------------------------------------------------------------------------------------------|-------|
| A |  | 1PC |
| B |  | 1PC |
| C |  | 1PC |
| D |  | 1PC |
| E |  | 1PC |
| F |  M8X60 | 12PCS |
| G |  | 2PCS |
| H |  | 1PC |
| I |  | 4PCS |
| J |  | 10PCS |

Step1

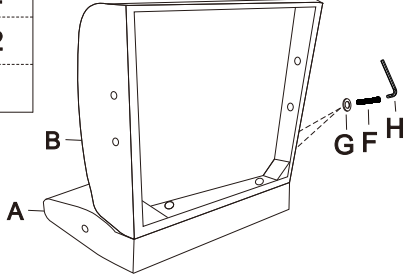
C X 1
D X 1
E X 1
F X 4
H X 1



Connect Parts C, E and D with Parts F and H, tighten screws to 80%.

Step2

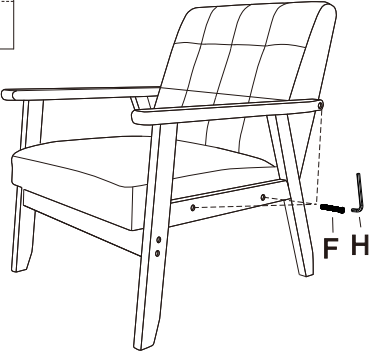
A X 1
B X 1
F X 2
G X 2
H X 1



Attach Part B to Part A using Parts G, F, and H, tighten screws to 80%.

Step3

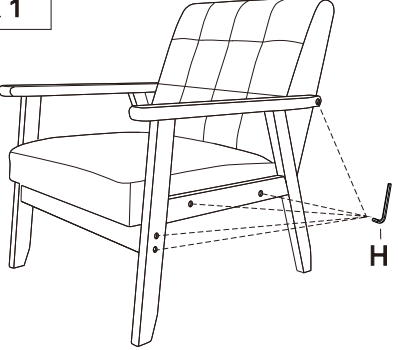
F X 6
H X 1



Connect the seat with the leg frame with Parts F and H, tighten screws to 80%.

Step4

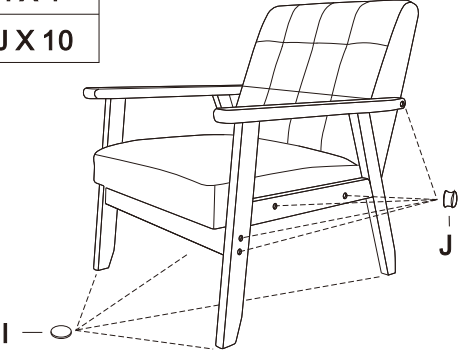
H X 1



Lay the chair flat and wiggle the chair to make the screws in place. Ensure the chair is level on the floor. Then tighten all the screws to 100%.

Step5

I X 4
J X 10



Cover all screw holes with Part J. Attach Part I to the bottom of the chair's legs.

WARNING: *DO NOT STAND ON THE CHAIRS *THESE CHAIRS ARE DESIGNED TO SEAT ONE PERSON ONLY PER CHAIR *DO NOT USE THE CHAIR UNLESS ALL THE BOLTS AND SCREWS ARE FINALLY TIGHTENED

***AT LEAST EVERY FOUR MONTHS, PLEASE CHECK ALL BOLTS AND SCREWS TO MAKE SURE THEY ARE SECURELY TIGHTENED**

***IF ANY PARTS ARE MISSING, BROKEN, DAMAGED OR WORN, STOP USING THIS PRODUCT IMMEDIATELY UNTIL REPAIRS ARE MADE**

***FAILURE TO FOLLOW THESE WARNINGS COULD RESULT IN SERIOUS INJURY**