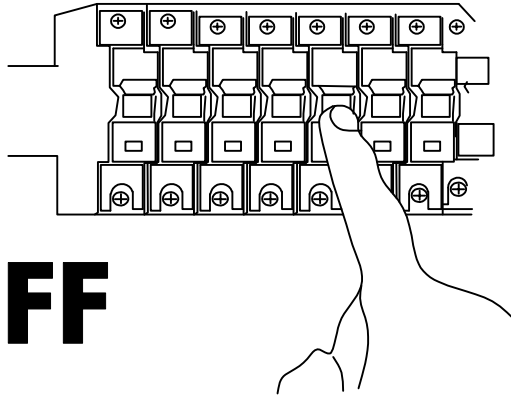


# Installation sequence

1

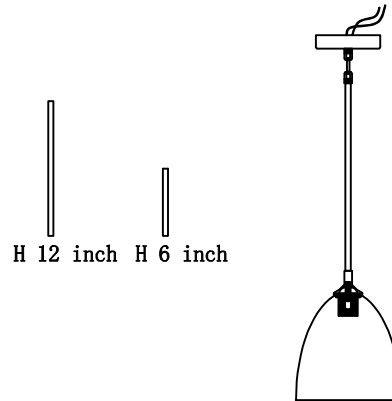


## STEPS

Turn off the power

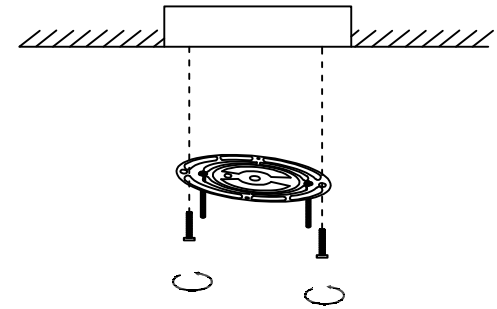
2

Fix the connecting rod on the top of iron cage, and adjust the length of pendant light base on your ceiling height, then fix it on the hanging plate.



After assembling the iron frame, connecting pipe and chassis, continue the hanging plate installation in the next step, as shown in Figure 3

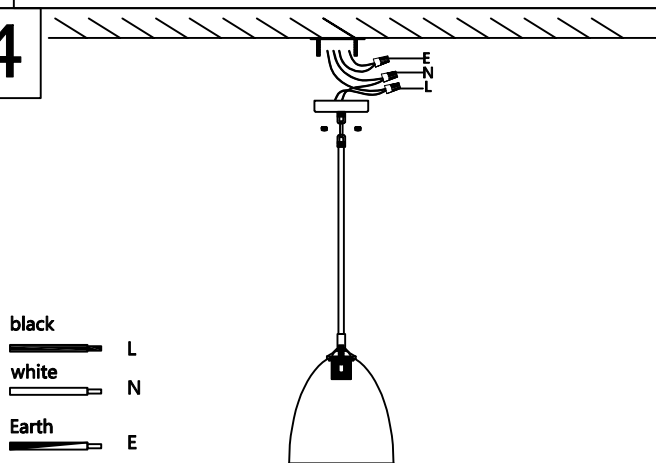
3



## STEPS

Install the hanging board on the ceiling, and then proceed to the next step, as shown in Figure 4

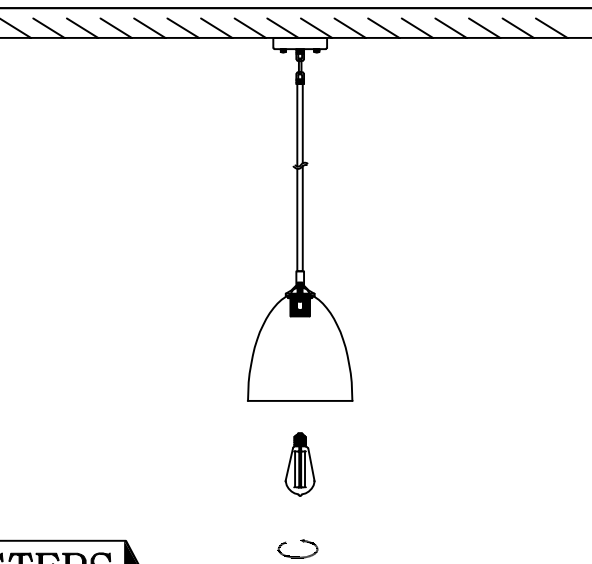
4



## STEPS

1. Connect the power wire of lamp body to the reserved Power cable, pay attention to the positive and negative poles
2. Fix the lamp body on the ceiling with nuts

5



## STEPS

The installation is complete

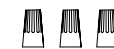
## Advertencia:

Advertencia:

1. Voltage: 110V-135V
2. Bulb Model: E26 / MAX-60W
3. Before installation, please check whether the accessories are complete, if you have any problem, please contact our customer service in time
4. Before installation, please cut off the power supply to prevent electric shock.
5. Please be sure the installation according to the company's instructions.



Screw



Wire connector



Instruction