

## Energy 75C

### Features


- Bathroom Sink
- Made of Ceramic
- fi«-μWhite Finish
- Without Overflow
- Countertop (Vessel) Installation



### Related Items:

- WSBC | Push Waste Drain
- WSBC 53922 | Decorative Trap


### Finishes:

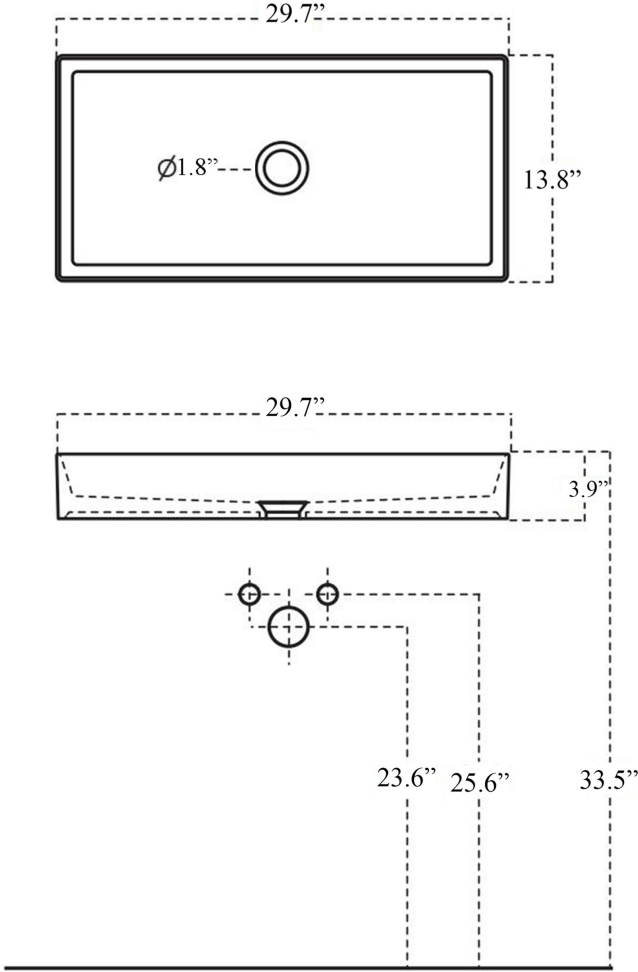
 fi«-μWhite

### SKU# | Options:

- Energy 75C | fi«-μWhite

\* WS Bath Collections reserves the right to revise dimensions or information on this sheet without notice

<b>Collection  </b> Energy	<b>Model  </b> Energy 75C	Dimensions Metric <i>1 inch = 2.54 cm</i> <i>1 inch = 25.4 mm</i>	 1051 Lea Drive - Collegeville, PA 19426 Tel. 215 513 9400 - Fax 610 831 0215 <a href="http://www.ws bathcollections.com">www.ws bathcollections.com</a> - <a href="mailto:info@ws bathcollections.com">info@ws bathcollections.com</a>
-------------------------------	------------------------------	---	---



**Collection**  
Energy

**Model** |  
Energy 75C

Dimensions Metric  
*1 inch = 2.54 cm*  
*1 inch = 25.4 mm*



1051 Lea Drive - Collegeville, PA 19426  
Tel. 215 513 9400 - Fax 610 831 0215  
[www.ws bathcollections.com](http://www.ws bathcollections.com) - [info@ws bathcollections.com](mailto:info@ws bathcollections.com)

We recommend the following items that work with your sink.

Energy 75C

## TRAPS



WSBC 53922  
*Our best seller*

 Polished Chrome  
WSBC 53922.29

 Matte Black  
WSBC 53922.22



WSBC 5392

 Polished Chrome  
WSBC 5392.29



WSBC 53925

 Polished Chrome  
WSBC 53925.29



WSBC 53921  
*Space saving*

 Polished Chrome  
WSBC 53921.29

 Matte Black  
WSBC 53921.22

## DRAINS



WSBC 00076  
*Push waste drain (click clack) - universal with or without overflow*

 Polished Chrome  
WSBC 00076.29

 Glossy Black  
WSBC 00076.18

 Glossy White  
WSBC 00076.09

 Matte Black  
WSBC 00076.22

 Matte White  
WSBC 00076.26

## MOUNTING HARDWARE

### Wall-mount installation

### Vessel/ countertop installation



Bolts



Silicone (optional)

Collection  
Energy

Model |  
Energy 75C

Dimensions Metric  
*1 inch = 2.54 cm*  
*1 inch = 25.4 mm*

**WS**<sup>®</sup>  
**BATH**  
**COLLECTIONS**

1051 Lea Drive - Collegeville, PA 19426  
Tel. 215 513 9400 - Fax 610 831 0215  
[www.ws bathcollections.com](http://www.ws bathcollections.com) - [info@ws bathcollections.com](mailto:info@ws bathcollections.com)