

5.5' BATH WHIRLPOOL K-1158-H2

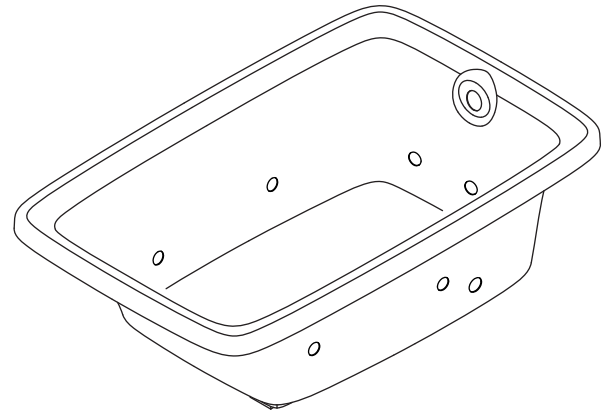
Features

- Acrylic
- 8 Flexjet™ whirlpool jets
- Less all trim
- Variable-speed pump with 1.5 kW heater, back-lit user keypad, and remote control
- 66" (1676 mm) x 42" (1067 mm) x 22" (559 mm)

Codes/Standards Applicable

Specified model meets or exceeds the following:

- ASME A112.19.7
- UL 1795
- CSA B45.5/IAPMO Z124
- ASTM E162
- ASTM E662



Colors/Finishes

- 0: White
- Other: Refer to Price Book for additional colors/finishes

Accessories

- 0: White
- CP: Polished Chrome
- NA: None applicable
- Other: Refer to Price Book for additional colors/finishes

Specified Model

Model	Description	Colors/Finishes	
K-1158-H2	5.5' bath whirlpool	<input type="checkbox"/> 0	<input type="checkbox"/> Other_____
Required Accessories			
K-9698	Jet trim kit	<input type="checkbox"/> CP	<input type="checkbox"/> Other_____
Recommended Accessories			
K-7161-AF	Adjustable pop-up drain	<input type="checkbox"/> CP	<input type="checkbox"/> Other_____
Optional Accessories			
K-1491	Pillow	<input type="checkbox"/> 0	<input type="checkbox"/> Other_____
K-1601	Footstop	<input type="checkbox"/> 0	<input type="checkbox"/> Other_____
K-1703	Remote control	<input type="checkbox"/> NA	
K-9497	2-1/2" (64 mm) metal finish keypad trim		<input type="checkbox"/> CP <input type="checkbox"/> Other_____

Product Specification

The acrylic bath whirlpool shall be 66" (1676 mm) in length, 42" (1067 mm) in width, and 22" (559 mm) in height. Bath whirlpool shall feature 8 Flexjet™ whirlpool jets, variable speed pump with 1.5 kW heater, and back-lit user control. Bath whirlpool shall be less all trim. Bath whirlpool shall be Kohler Model K-1158-H2-_____.

BANCROFT®

Technical Information

Fixture*:				
Bathing well:				
Basin area, bottom	46" (1168 mm) x 30" (762 mm)			
Basin area, top	57" (1448 mm) x 34" (864 mm)			
Weight	130 lbs (59 kg)			
To overflow:				
Water depth	16" (406 mm)			
Capacity	95 gal (359.6 L)			
* Approximate measurements for comparison only.				
Included components:				
Cut-out template	1043292-7			
Pump	kW	V	Hz	A
Variable-speed	1.5	240	50/60	11

Required Electrical Service

Dedicated circuit required, protected with Class A Ground-Fault Circuit-Interrupter (GFCI) or Residual Current Device (RCD):	
Pump/control	220-240 V, 20 A, 50/60 Hz

Installation Notes

Install this product according to the installation guide.

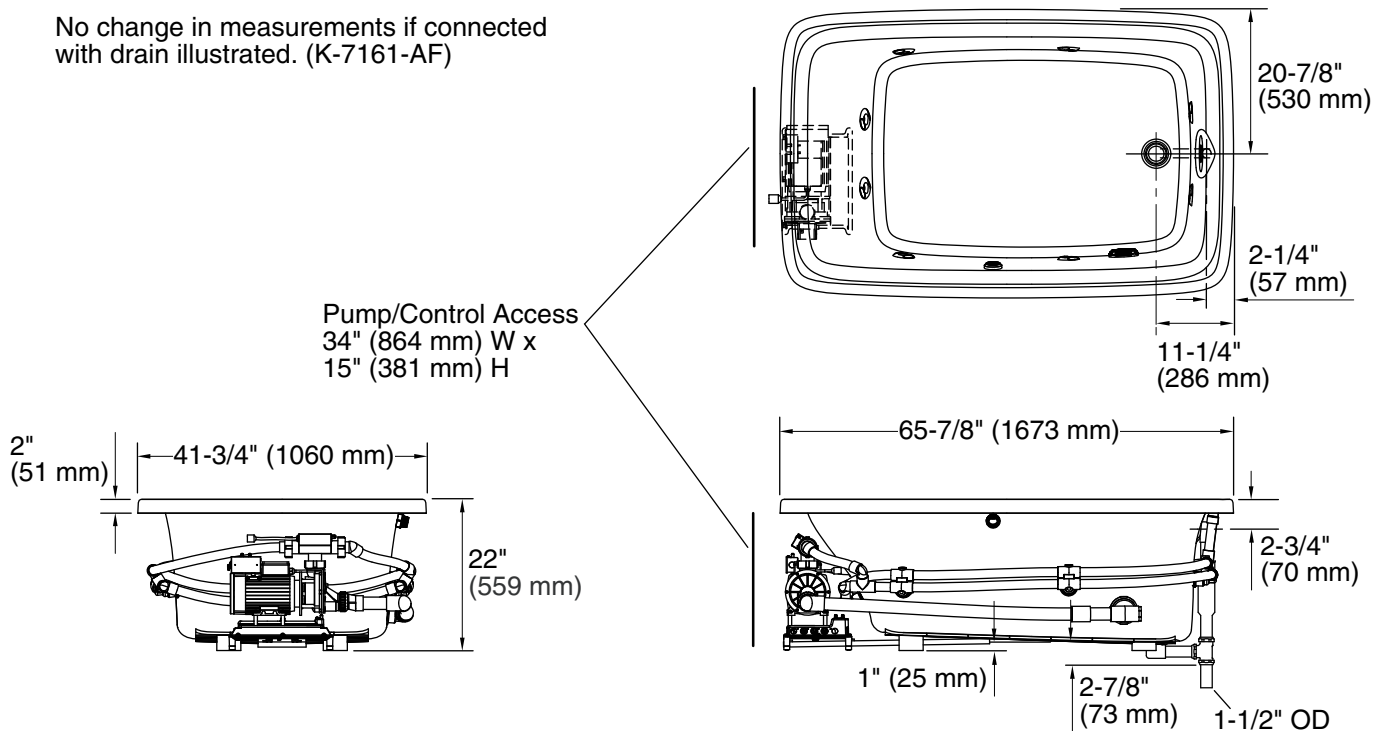
Floor support under whirlpool must provide for a minimum of 50 lbs/square foot (242 kg/square meter).

Hot water supply should be 70% of capacity or greater. Installations will vary.

This bath is designed for drop-in installation only. It is not suited for use in a three-wall alcove with an overhead shower.

A minimum access panel is required.

No change in measurements if connected with drain illustrated. (K-7161-AF)



Product Diagram