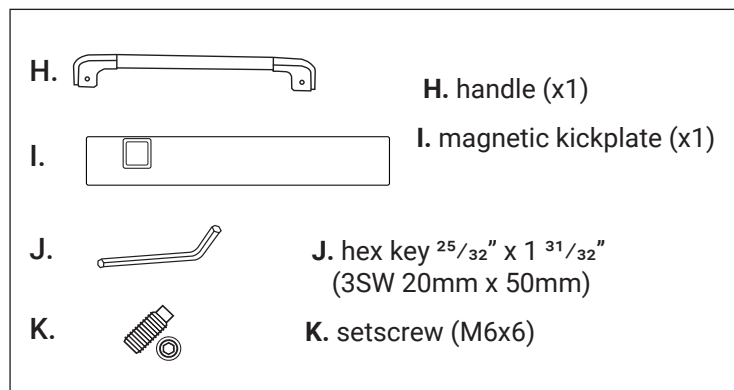
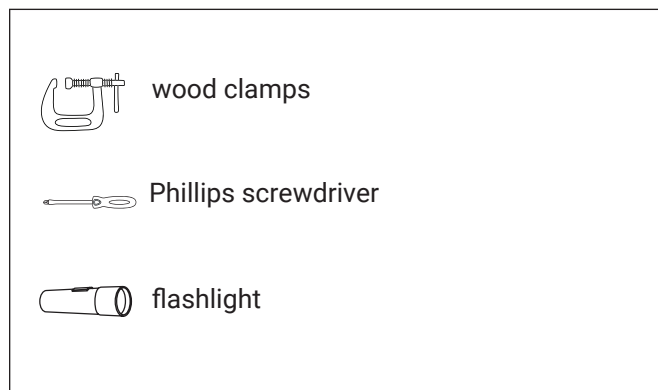


Materials Needed



supplied hardware

Tools Needed



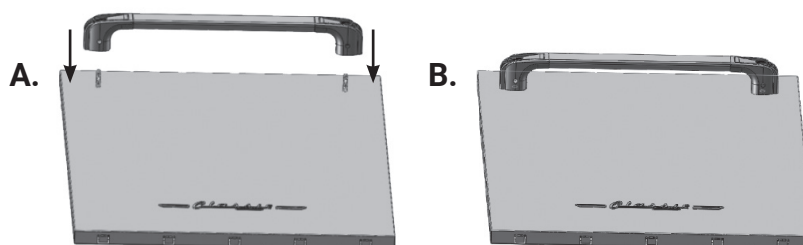
additional tools

Installing the Handle on the Door Panel

Step 1

Remove the door handle, hex key and setscrew from the packaging.

- A. Align the handle with the front mounting pins on the panel.
- B. Push the handle onto the pins until it is flush with the panel. Ensure the mounting screws face downward.

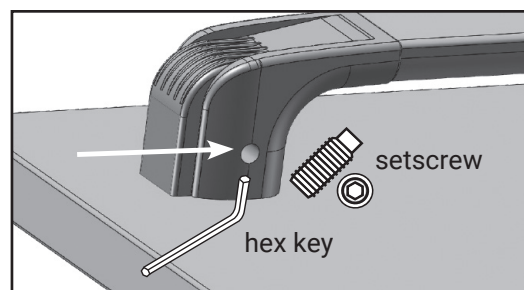


Step 2

Using the provided Allen key, tighten the two mounting screws located on the underside of the handle.

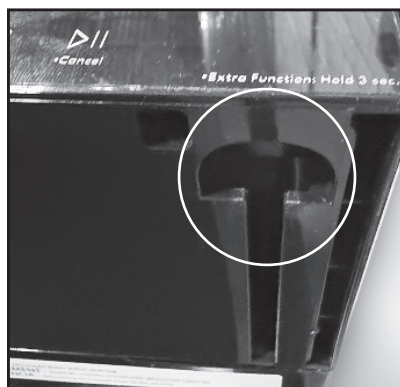
Retain hex key and store it with the Installation Instructions.

IMPORTANT Do not scratch the front panel during this procedure. Handle is easiest to install while panel is on its back.



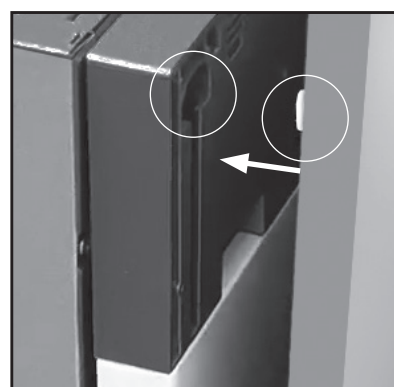
Mounting the panel on the dishwasher door

Step 1



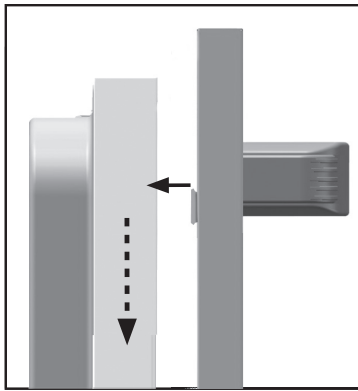
Note the location of drop-in slots on dishwasher door for panel installation

Step 2



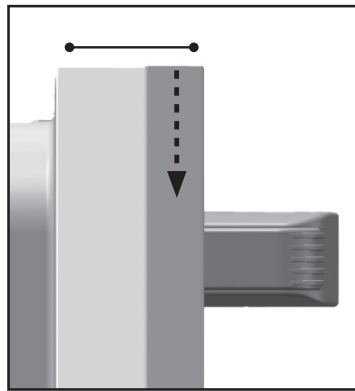
To install the panel, lift the panel upwards to align its mounting tabs with the drop-in slots on the dishwasher door.

Step 3



Insert the panel tabs into the slots and guide the panel downwards.

Step 4



Slide the panel downwards until it is firmly seated and its top edge is flush with the top of the dishwasher.

Step 5



Ensure panel edges are aligned and its top edge is flush with the top of the dishwasher.

Custom door panel installation

Align the rear panel mounting pins with the slots on the front of the dishwasher.

TIP: Use clamps/tape to align the panel edges and top corners precisely. Adjust clamps as needed to maintain proper alignment during installation.

- Open the dishwasher door to access the mounting screw locations. **NOTE: The screws located at A and B are installed at the factory and must remain in place (as shown at right.)**
- Following the sequence shown in the installation diagram below, remove each of the 6 existing 1/2" screws one at a time, and replace it with a 1 3/4" screw provided with the panel.

IMPORTANT: Use only the screws provided with the panel for mounting. Screws provided with the dishwasher are for wooden cabinetry mounting only.



NOTE: Do not use an impact drill - if screws are overtightened, they can damage the panel.

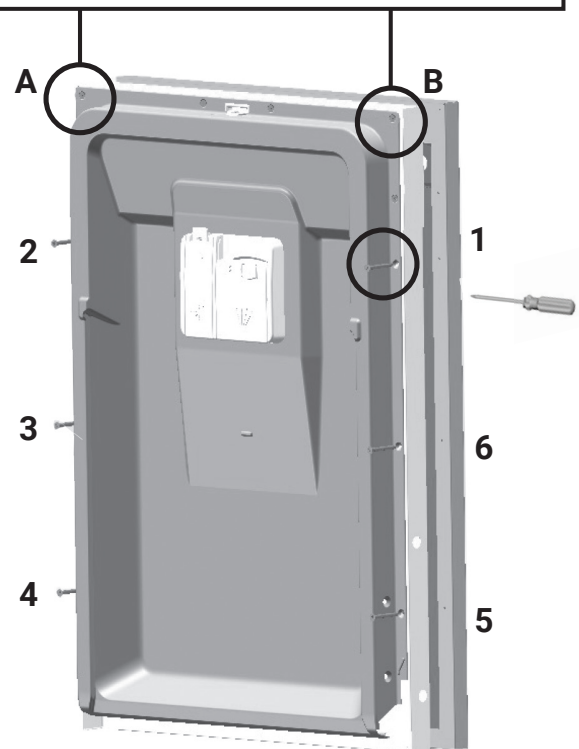
WARNING: Do not remove all 6 screws at once.

Use new 1 3/4" (3.8 cm) screws to fix the door panel on the door in the order shown at right.

- After installing the first two screws (1-2, shown at right), close the dishwasher door and verify that the panel is properly aligned.
- Once alignment is confirmed, install the remaining four screws (3-6, shown at right)

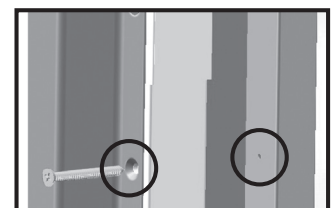
IMPORTANT: If you are planning to replace the door panel after its initial installation, be sure to keep the original screws.

NOTE: The screws located at A and B are installed at the factory and must remain in place. Do not remove.



TIP: The screw holes on door are the same position as door panel.

Shining a flashlight through the holes can make panel alignment easier.



Customer support

For questions related to the installation, operation, safety or the purchase of your appliance, please contact your dealer for more information. For general information, contact our customer service department:



Email: info@UniqueAppliances.com

Toll-free: 1 877 427-2266 or 1 905 827-6154
(available during regular business hours, 8:30 am to 4:30 pm, EST.)

Website: www.uniqueappliances.com