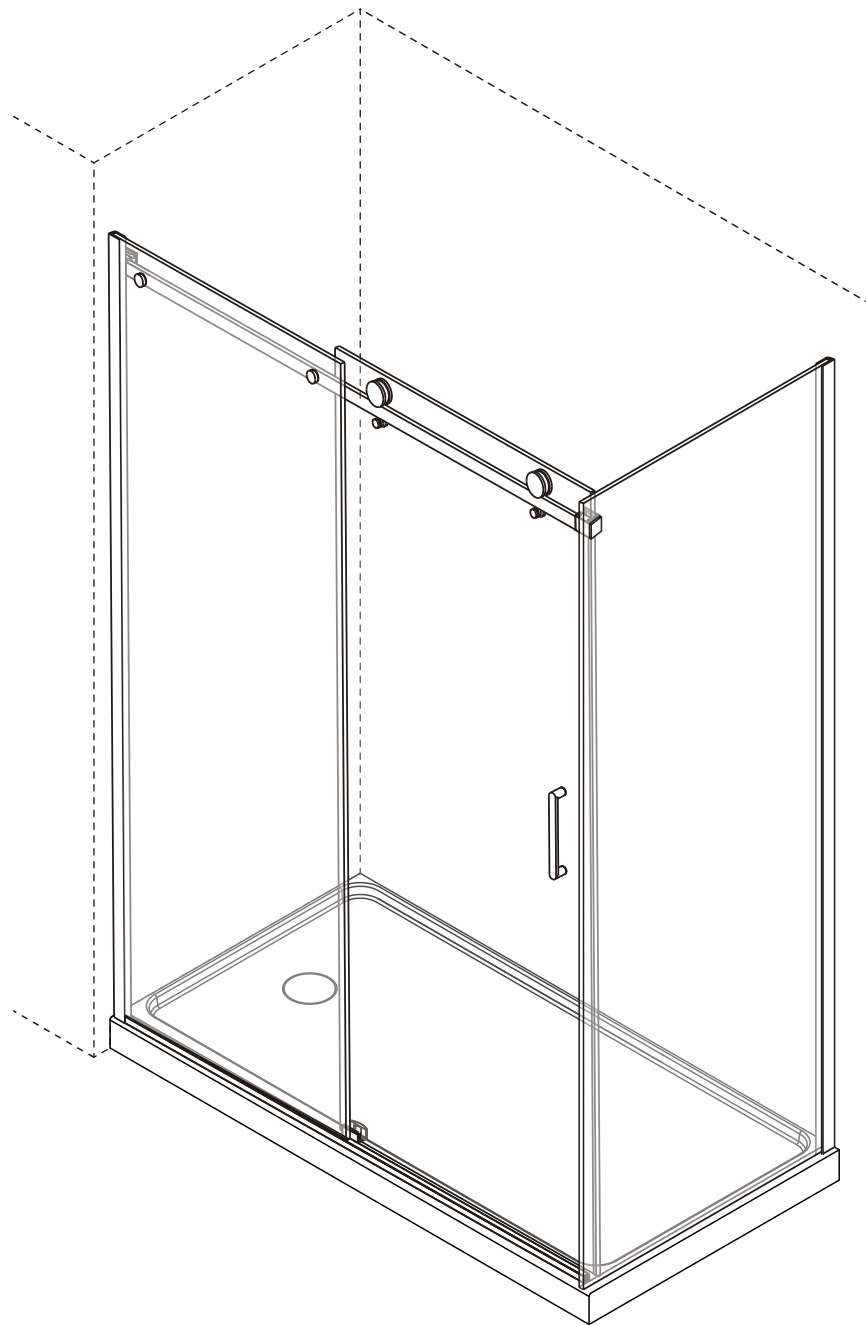


INSTALLATION INSTRUCTIONS

TE-3275RP-11-40

TE-3275RP-25-40

TE-3275RP-35-40



◆ General Information

Inspect the product immediately upon receipt for transit damage, missing packs/parts or manufacturing fault. Damage reported later will not be accepted. Handle the product with care avoiding knocks and shock loading to all sides and edges of the glass.

Notes: Safety glass can not be re-worked.

Read these instructions carefully before start of installation.

Special care should be taken when drilling walls to avoid hidden pipes or electrical cables.

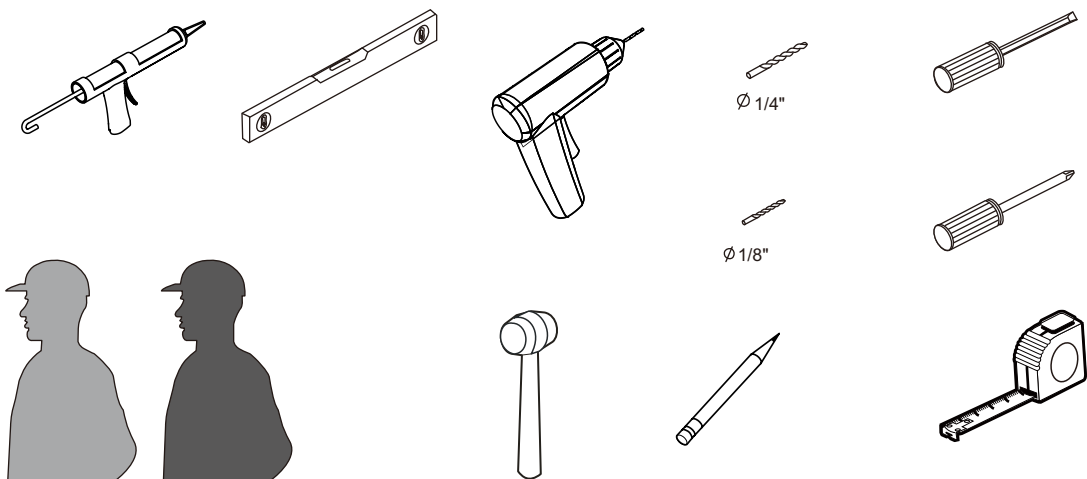
Note: This product is heavy and may require two people to install.

Aftercare instructions

After use, your shower should be cleaned with soap and water. This is particularly important in hard water districts where insoluble lime salts maybe deposited and allowed to build up. Cleaners of a gritty or abrasive nature should not be used. Care should be taken to avoid contact with strong chemicals, they can be used but with caution, if in doubt contact the manufacturer of the cleaner in question.

Keep these instructions for aftercare and customer service details.

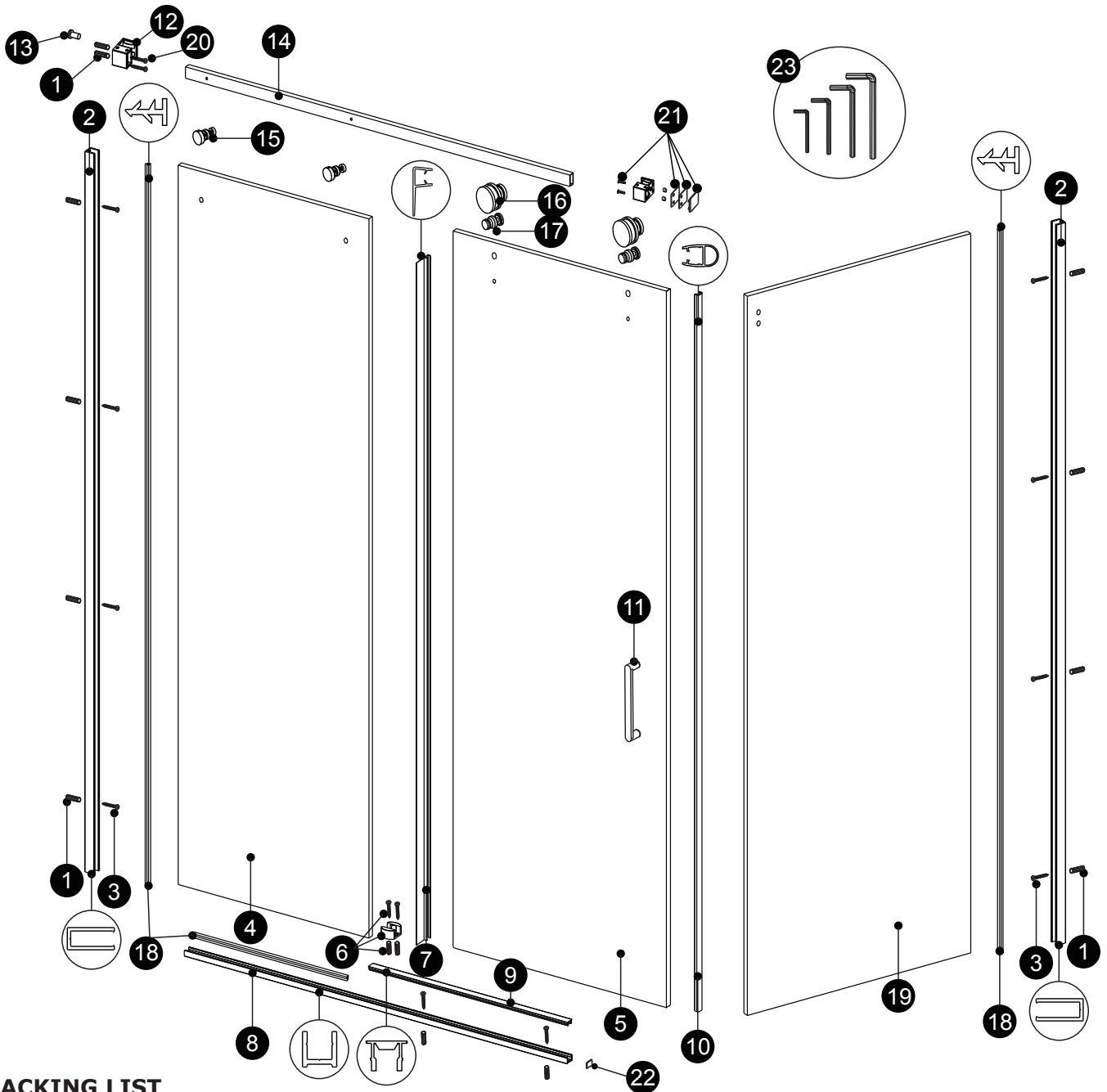
Tools Required



This product is heavy and may require two people to install.



◆ Assembly Drawing

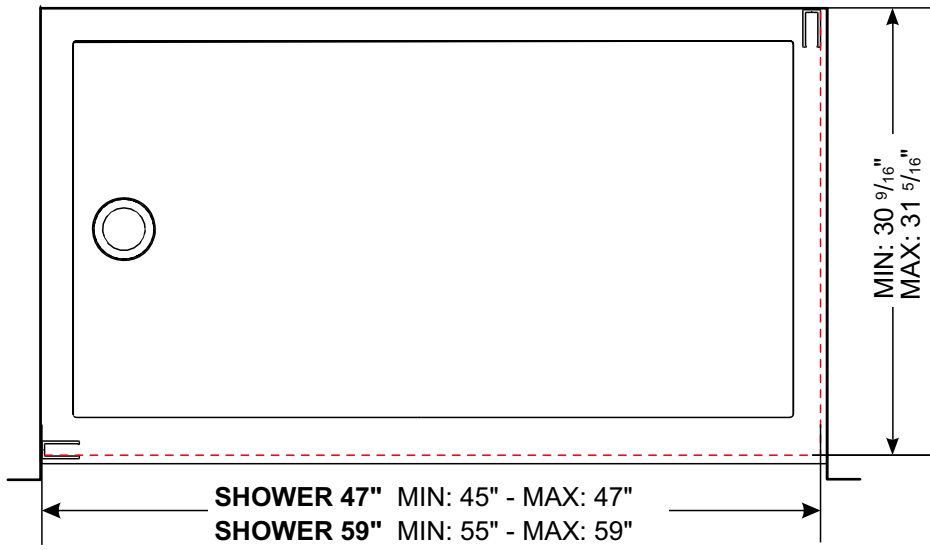


PACKING LIST

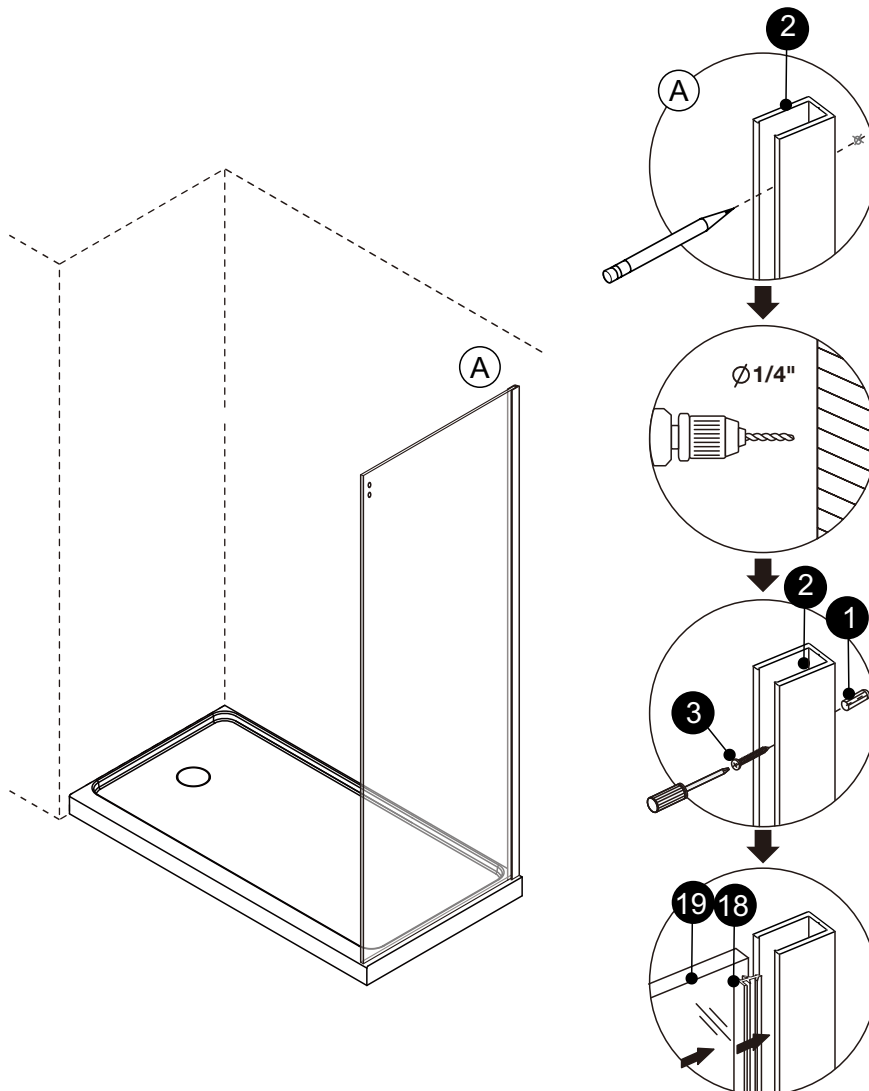
PART #	DESCRIPTION	Q'TY	PART #	DESCRIPTION	Q'TY
1	Wall Plugs	12pcs	13	5/8" Plastic Bumper	1pc
2	Wall Jamb	2pcs	14	Top Rail	1pc
3	Screws ST4x1 3/8"	10pcs	15	Fixed Panel Holders	2pcs
4	Fixed Panel	1pc	16	Roller	2sets
5	Door Panel	1pc	17	Anti Jump Knobs	2sets
6	Bottom Guide x 1	1set	18	Gasket-C	3pcs
	Screws ST5x1 3/8" x 2		19	Return Panel	1pc
	Wall Plugs x 2		20	Countersunk Screws ST4x1 3/8"	2pcs
7	Gasket-A	1pc	21	Wall Caps x1	1set
8	Bottom Threshold	1pc		Wall Plates x2	
9	Cover Strip Profile	1pc		Screws M5x7/8"	
10	Gasket-B	1pc	22	End Cap With 3M Tape	1pc
11	Handle	1pc	23	Allen Wrench	4pcs
12	Square Wall Joints whit Plastic Bumper	2set			

◆ Installation Steps

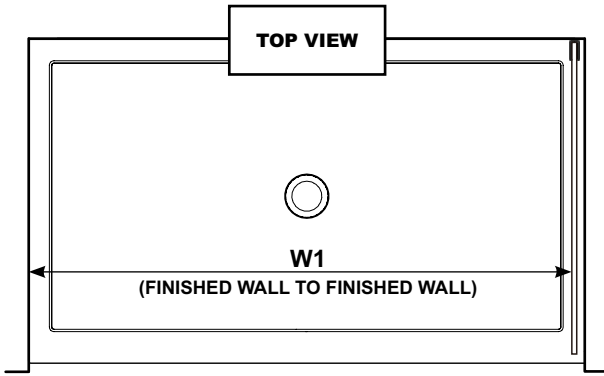
Step 1



Step 2

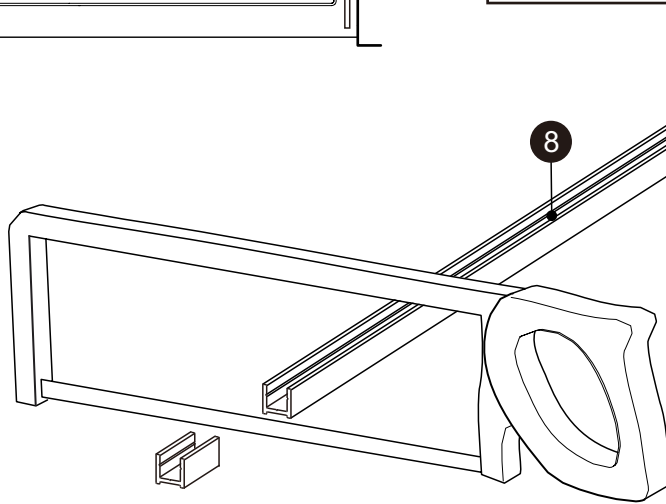


Step 3

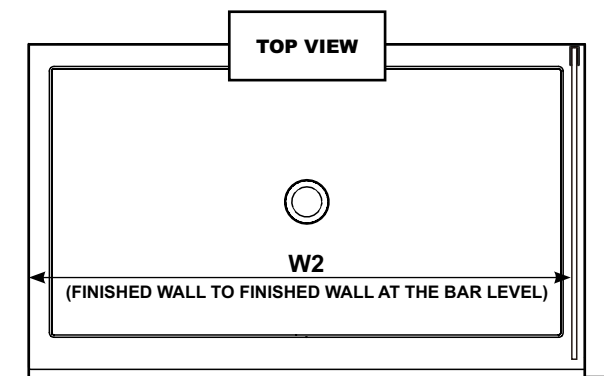


FORMULA

DRIP RAIL = SUBTRACT 1-3/8" (35mm) FROM W1

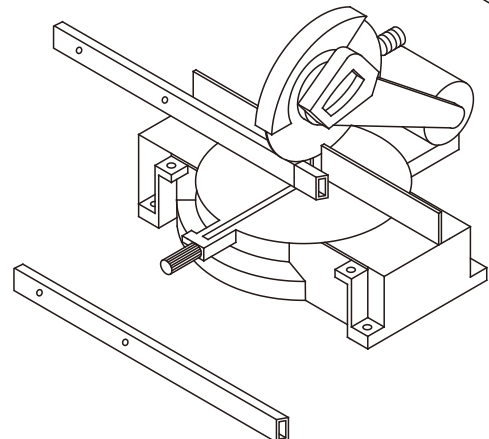
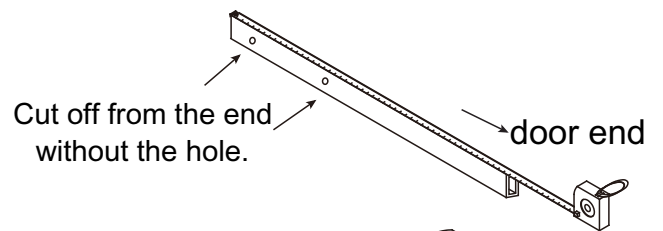


Step 4

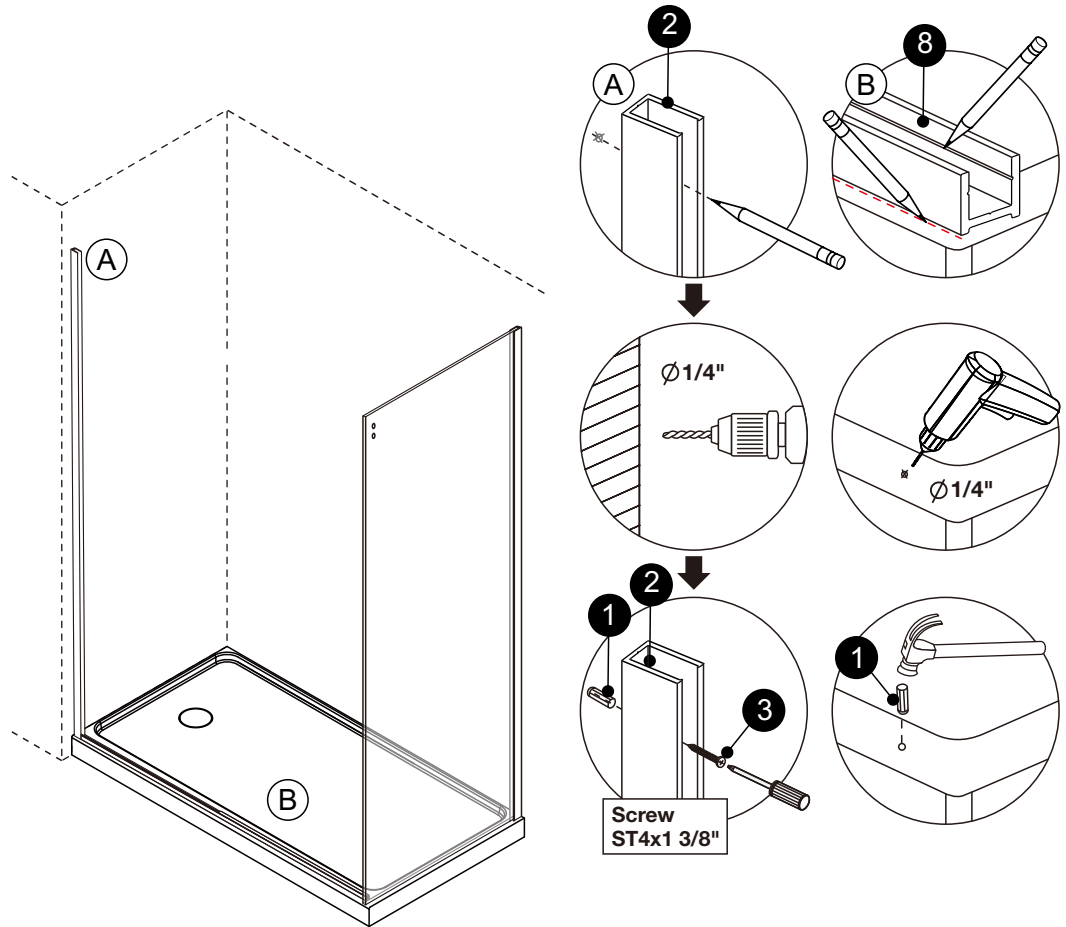


FORMULA

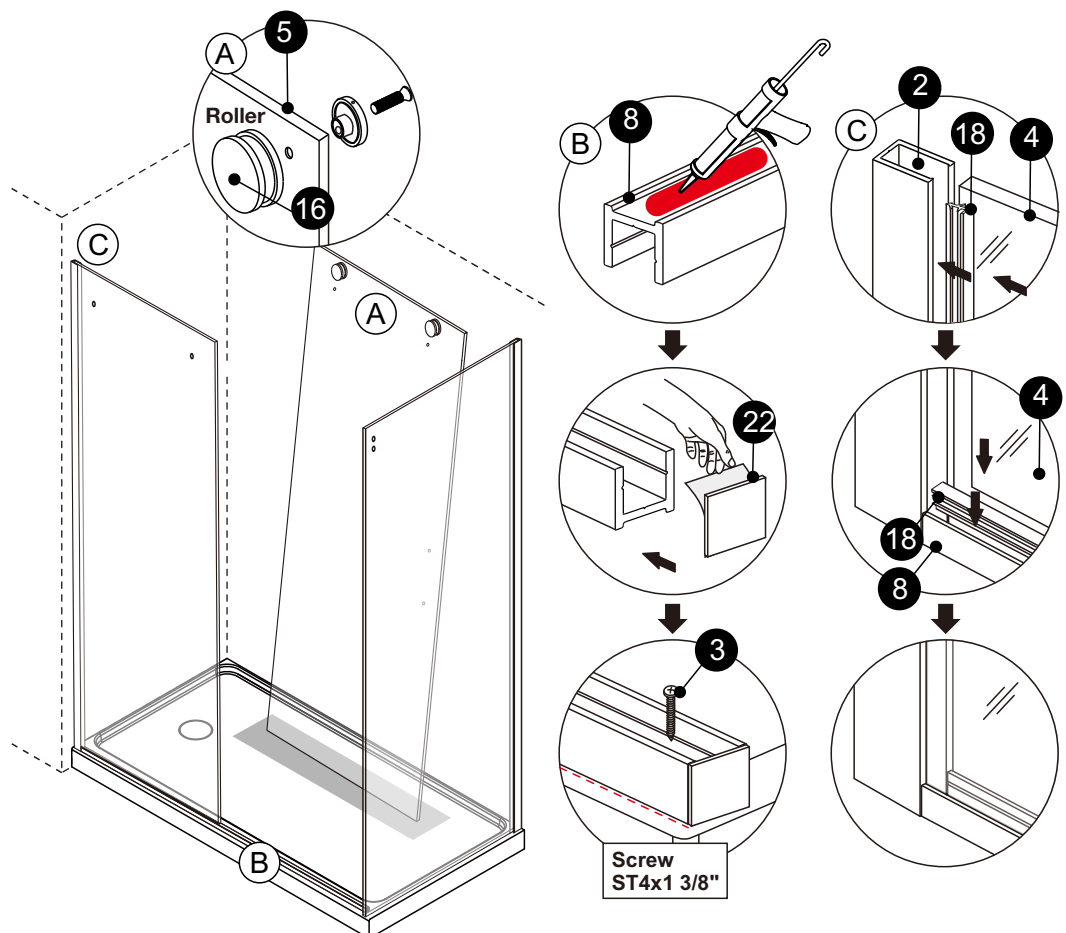
TOP RAIL = SUBTRACT 2-1/4" (58mm) FROM W2



Step 5

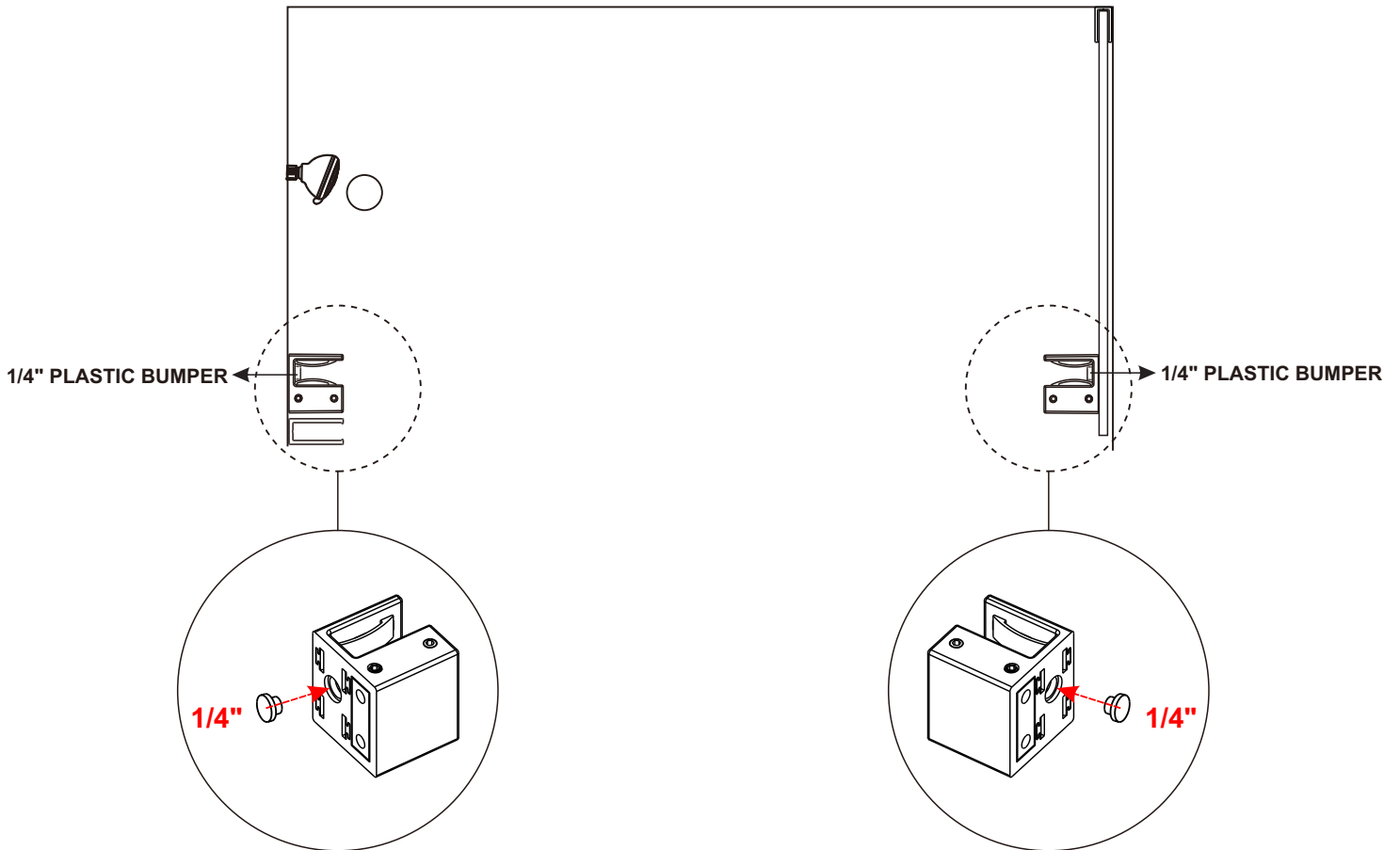


Step 6

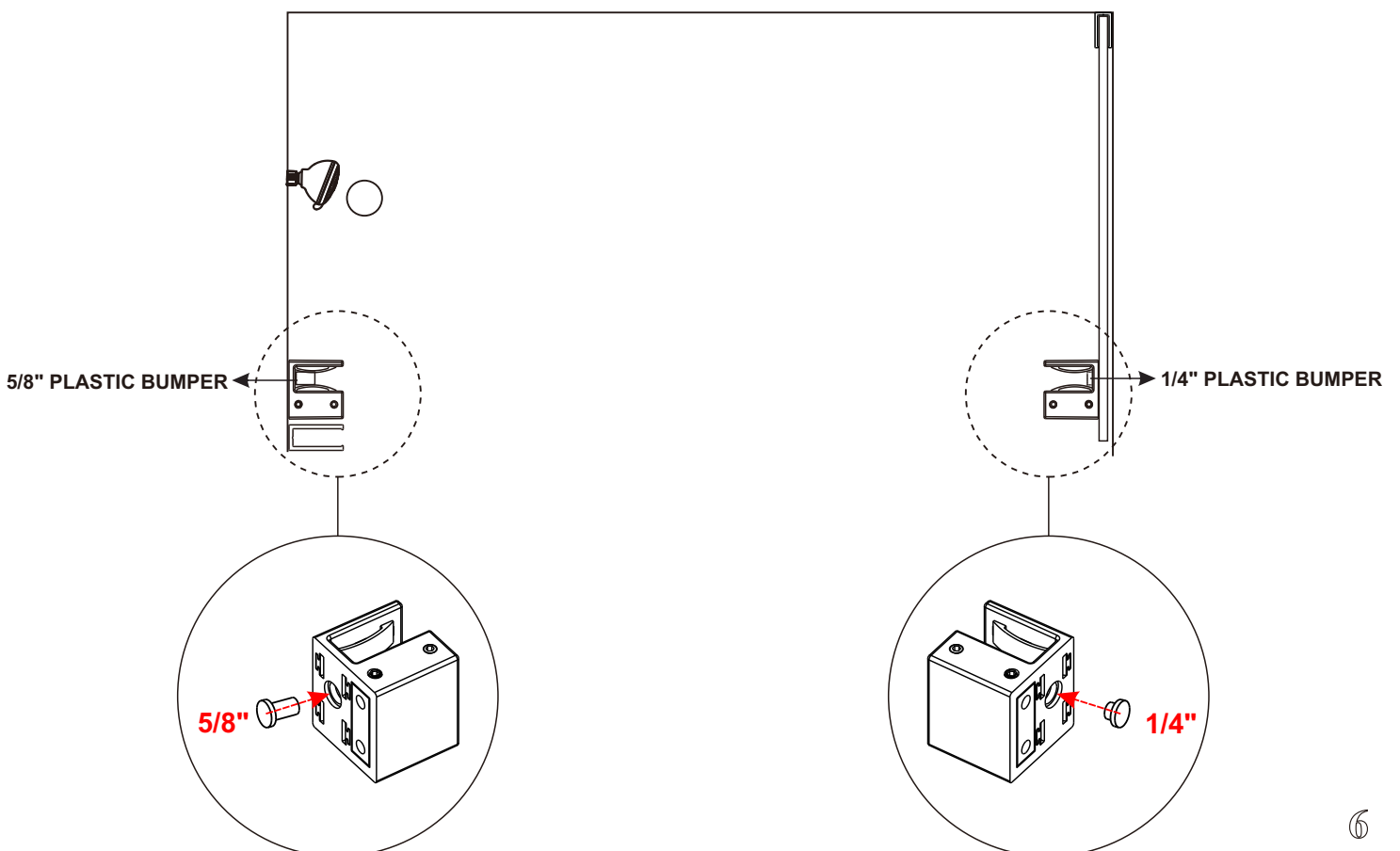


Step 7: Insert bumper blocks into wall brackets.

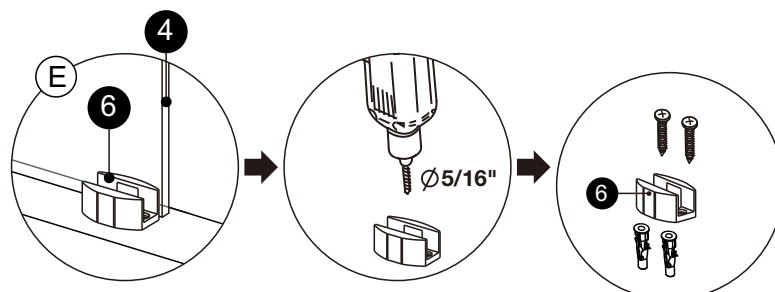
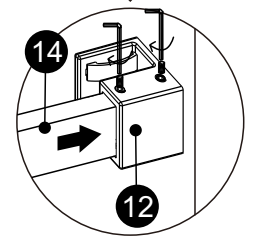
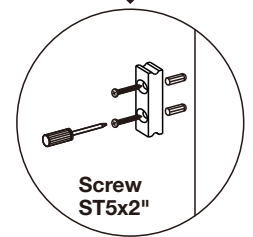
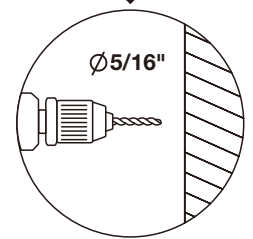
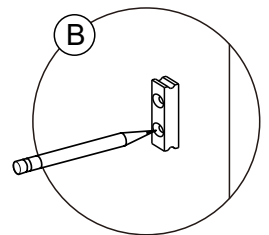
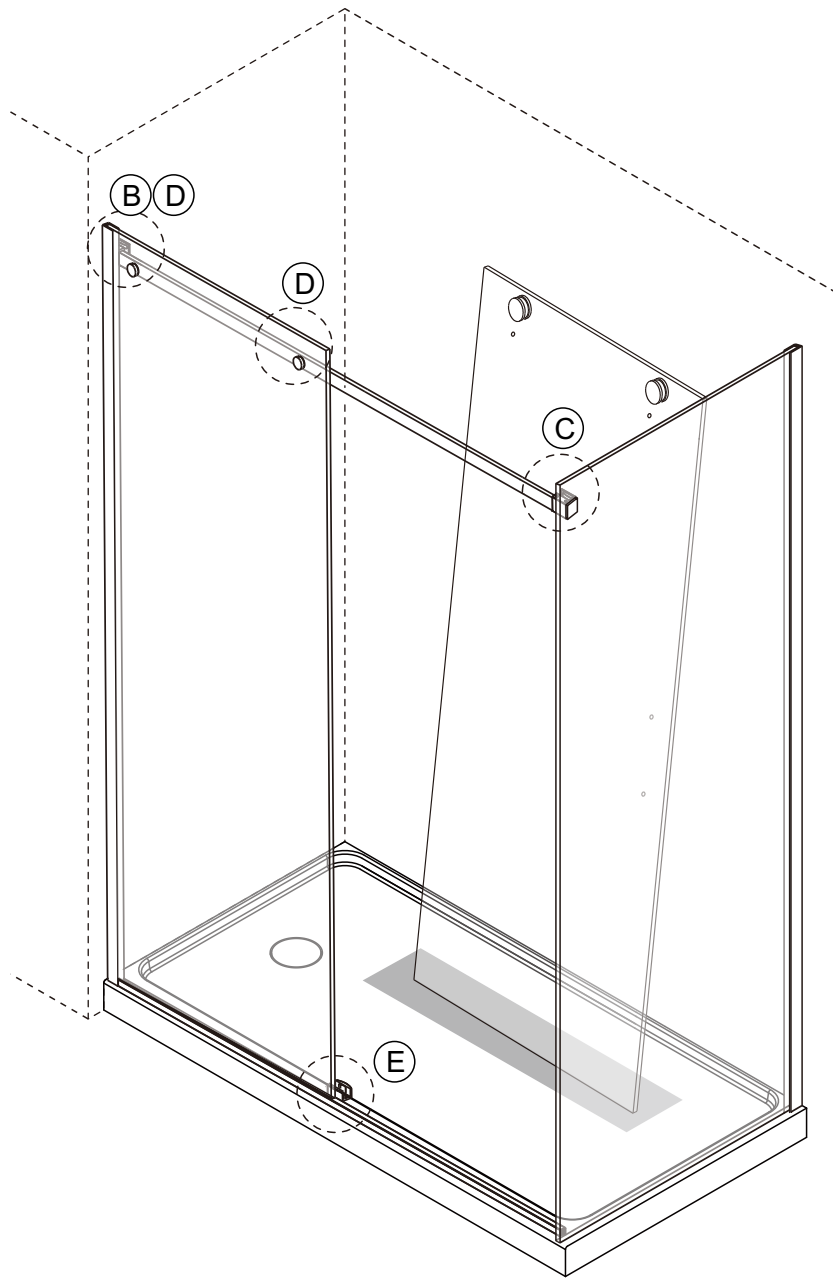
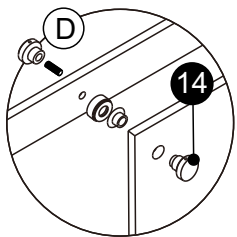
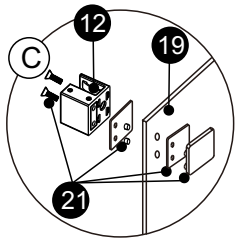
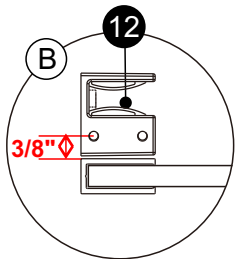
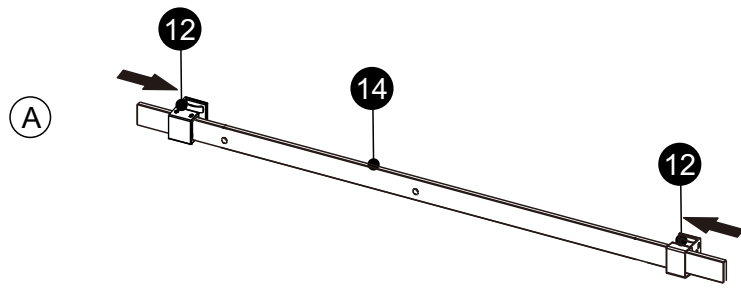
A: Installation size width less than 47" or 59", use 1/4" plastic bumper as shown.



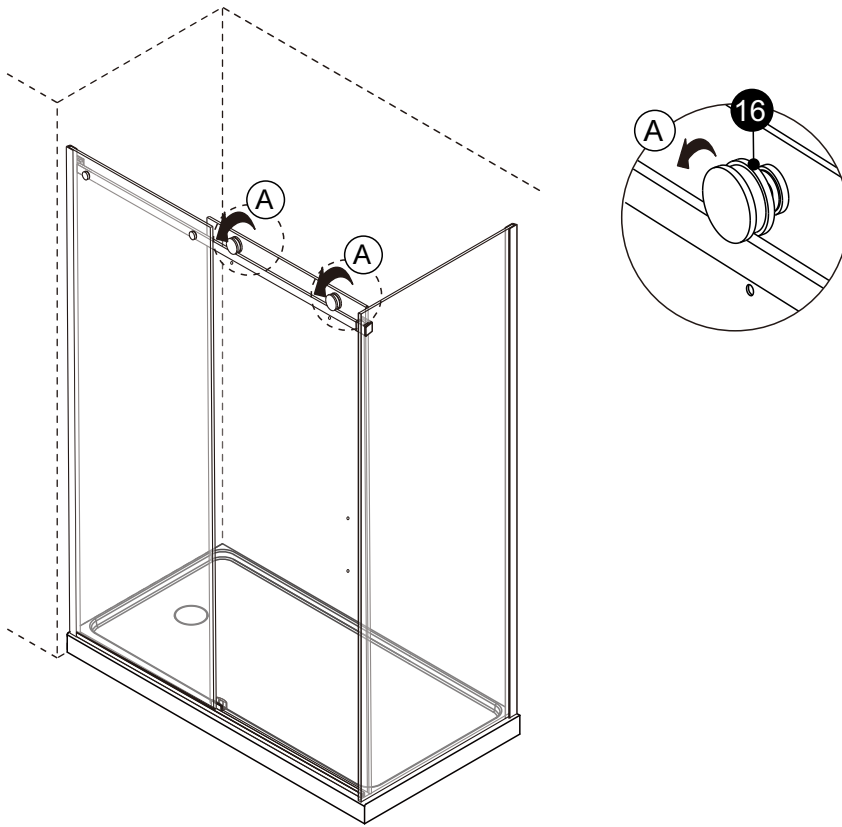
B: Installation size up to 47" or 59", use 5/8" plastic bumper as shown.



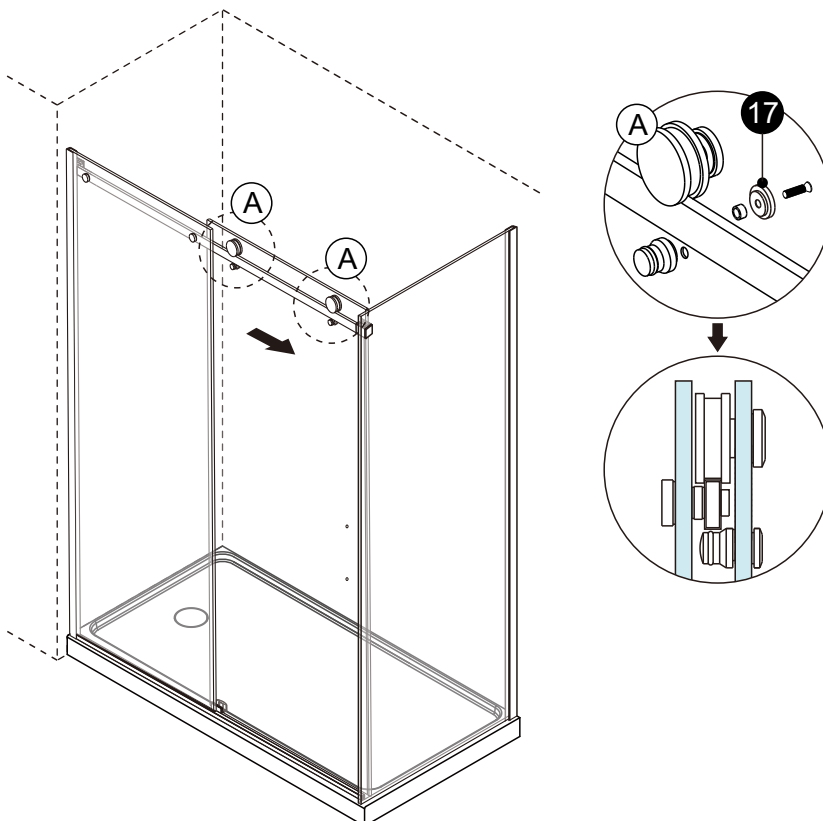
Step 8



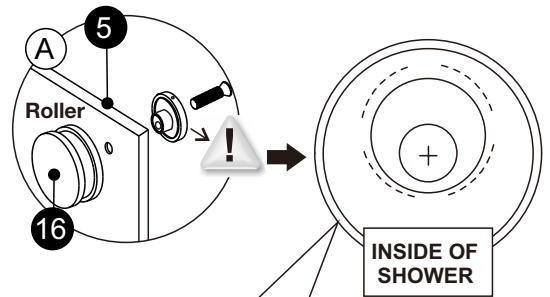
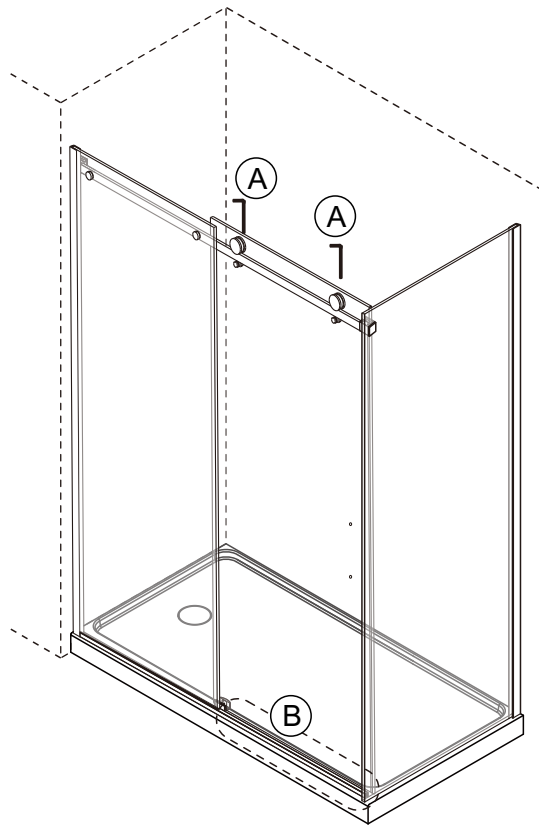
Step 9



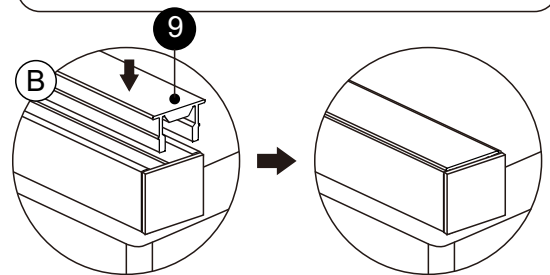
Step 10



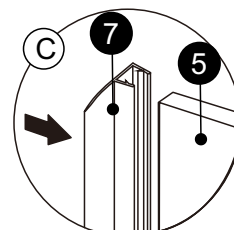
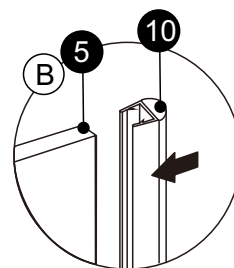
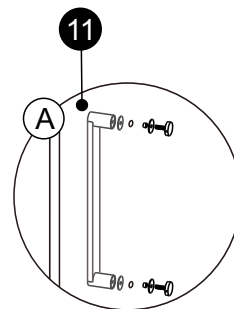
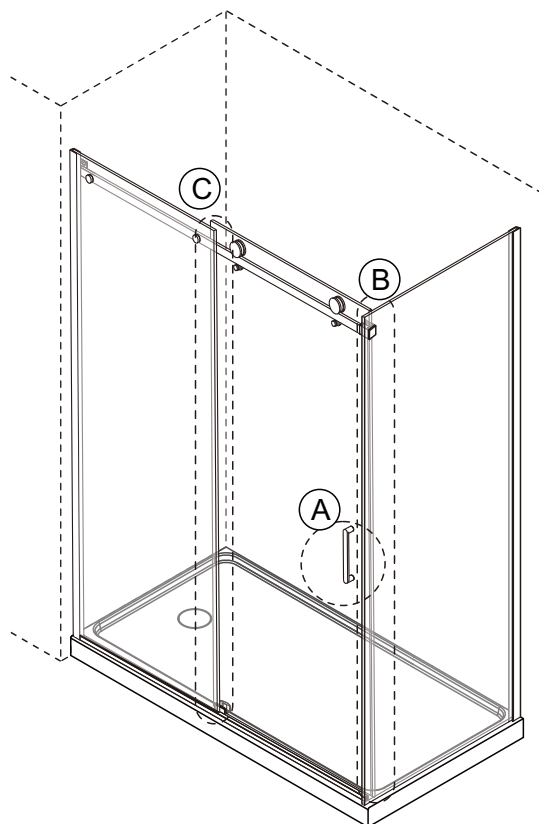
Step 11



! Carefully slide the door toward the wall and check the door is sliding smoothly. Adjust if necessary using offset in rollers, so that the sliding door is parallel to the tray.



Step 12



Step 13



24 HOURS

Allow 24 hours for silicone to dry before use.

