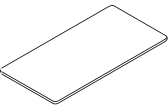
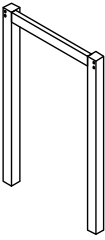
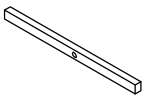
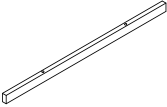
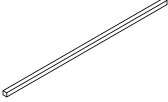
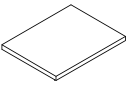
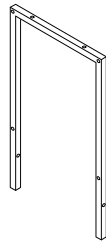
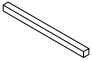
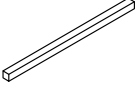
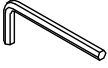




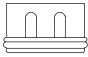




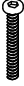
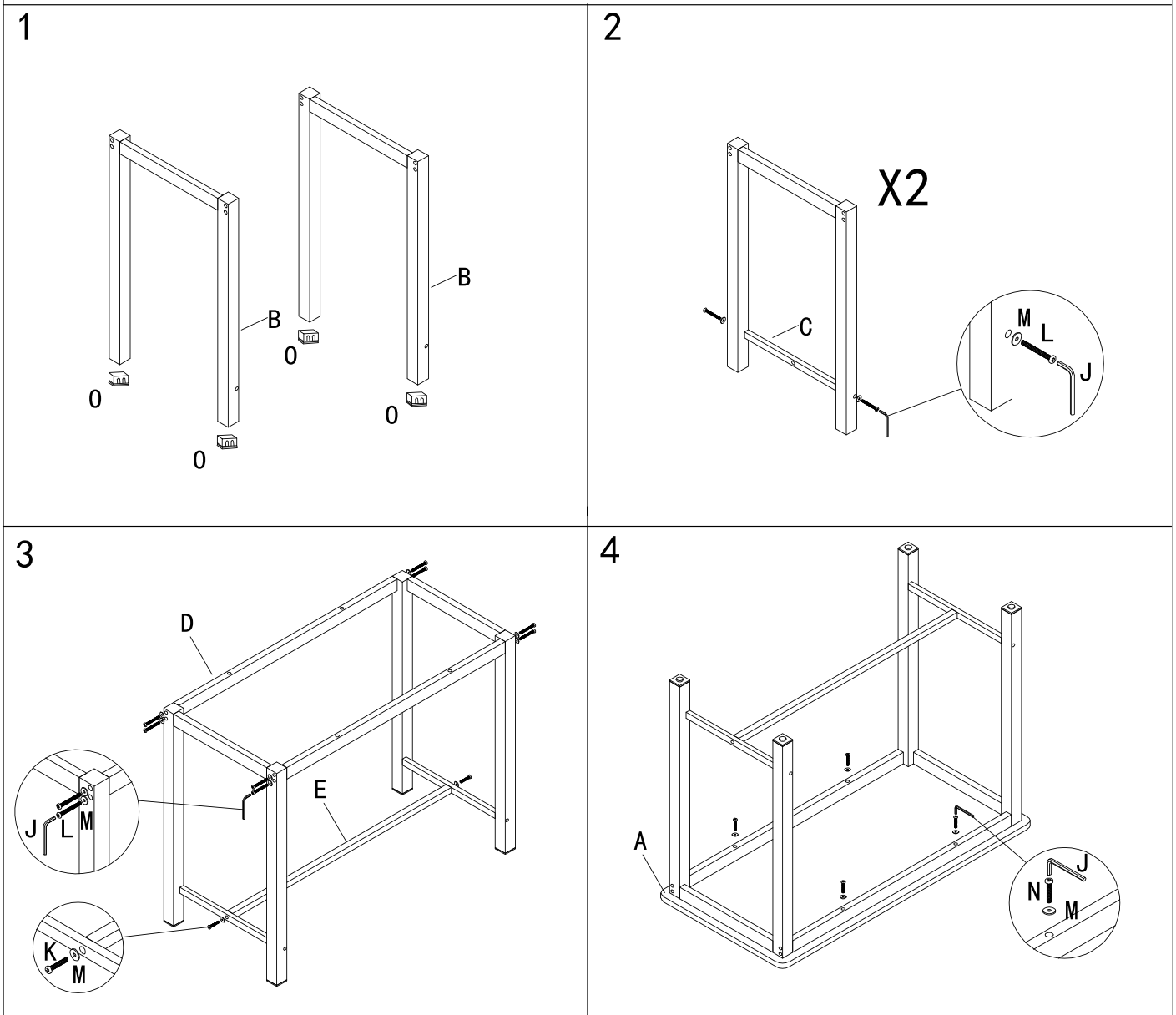


SHELL-5FI-HXY

A  x1	B  x2	C  x2	D  x2	E  x1	F  x4	G  x8	H  x8	
I  x16	J  M5 x1	K  M6x35 x66	L  M6x55 x12	M  $\varnothing 6 \times \varnothing 18 \times 1.5$ x82	N  M6x50 x4	O  x4		
SPARE (Ersatzteile)				J  M5 x1	K  M6x35 x1	L  M6x55 x1	M  $\varnothing 6 \times \varnothing 18 \times 1.5$ x1	N  M6x50 x1

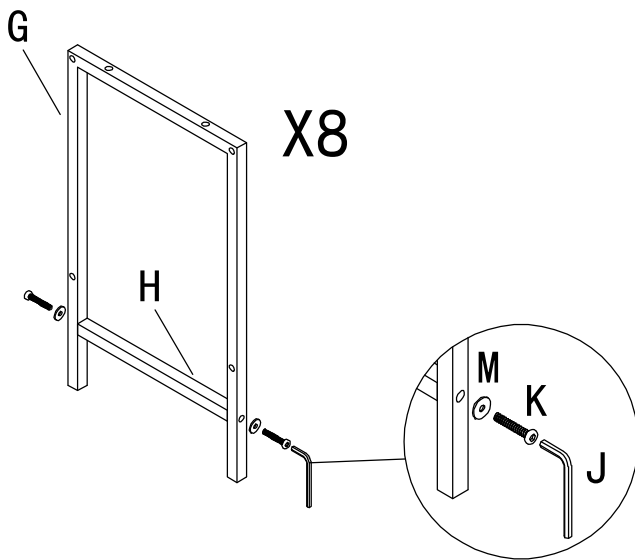
tisch



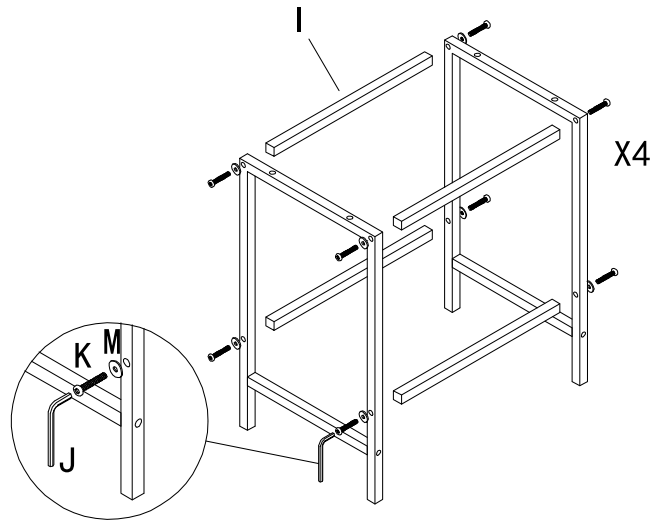
SHELL-5FI-HXY

stühle

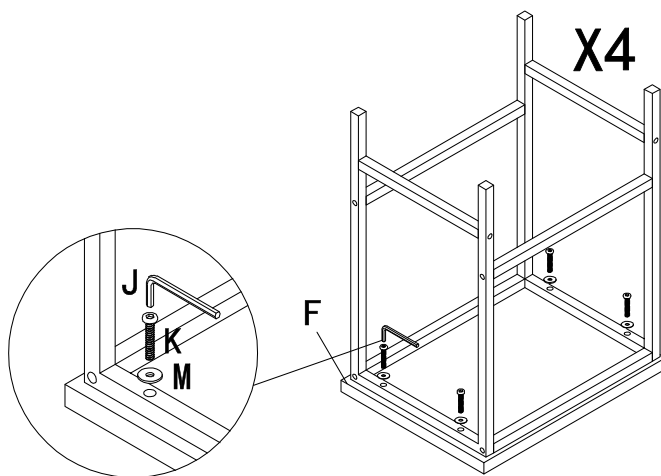
1



2



3



4

