







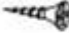













MARCH DESK



Hardware

A	x 38	B	x 34	C	x 4	D	x 53
							
E	x 4	F	x 10	G	x 1	H	x 8
							
I	x 8	J	x 2	K	x 16	L	x 12
							
M	x 8	N	x 2	O	x 1	P	x 6
							
Q	x 2	R	x 2	S	x 4	T	x 4
							



SET-UP TIME : 120 MINUTES

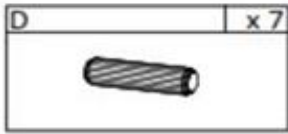
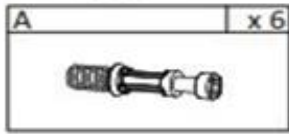
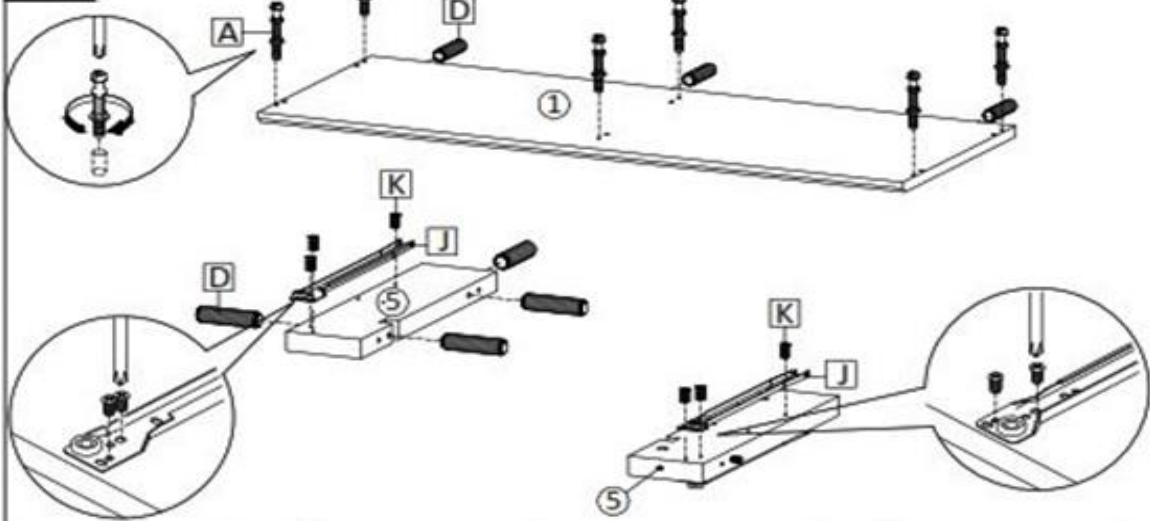


NUMBER OF PERSONS : 02

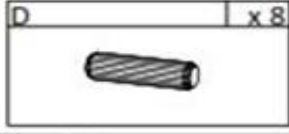
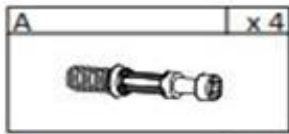
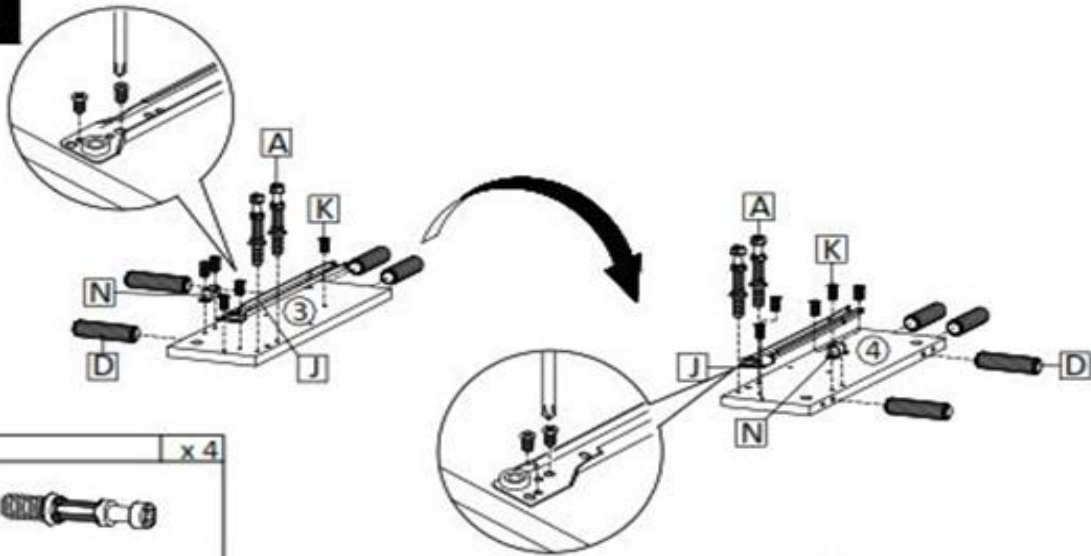


TOOLS :

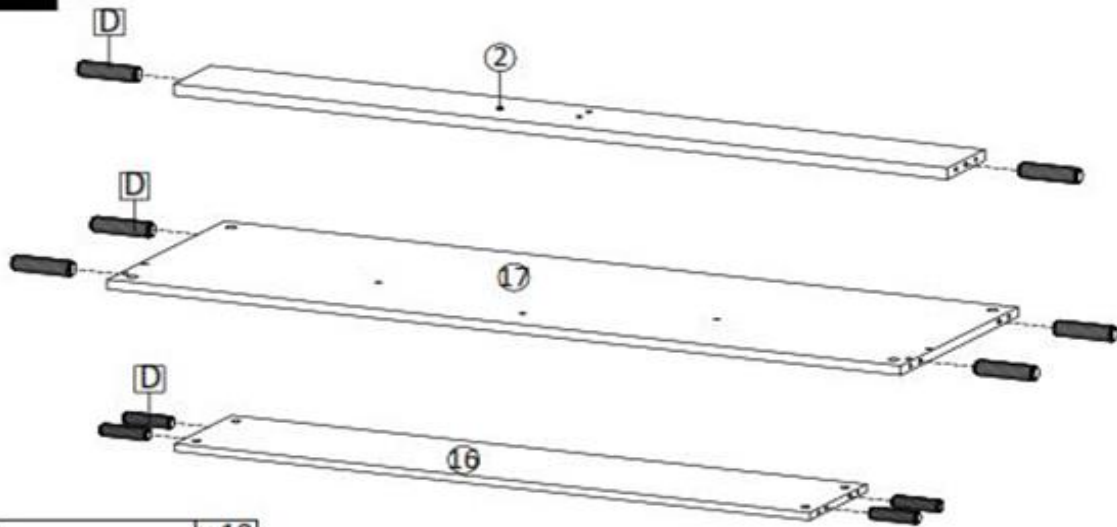
1



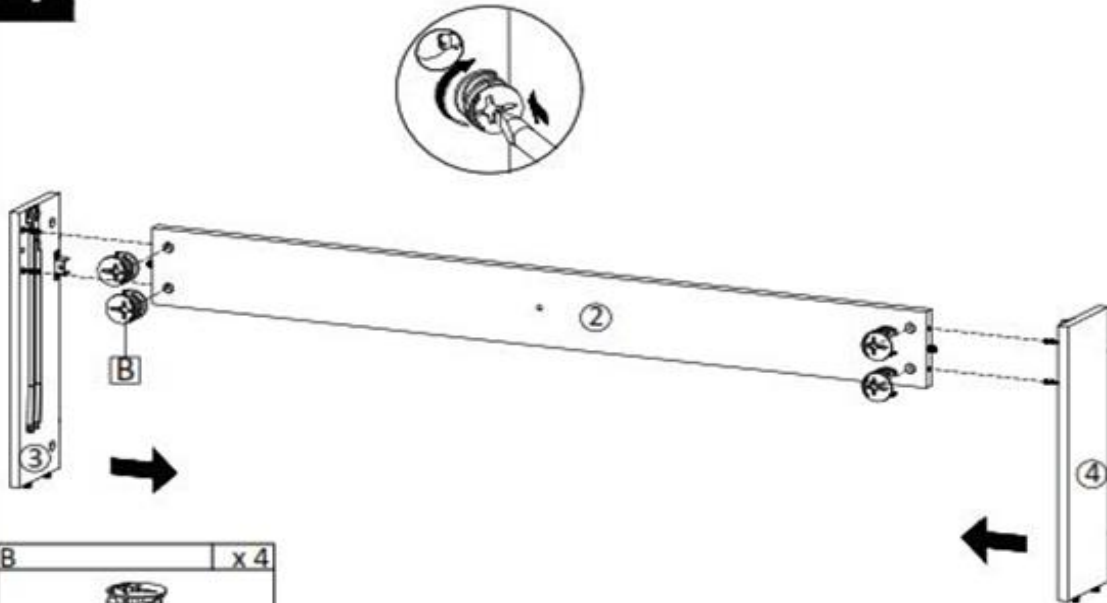
2



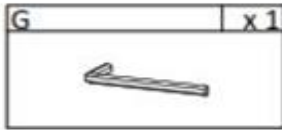
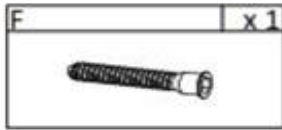
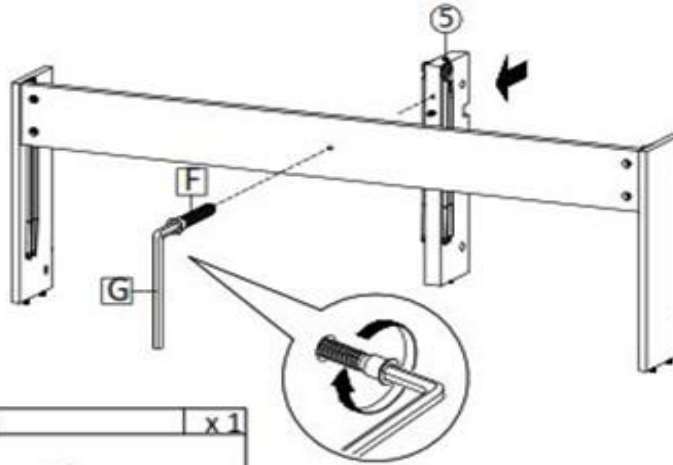
3



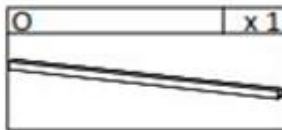
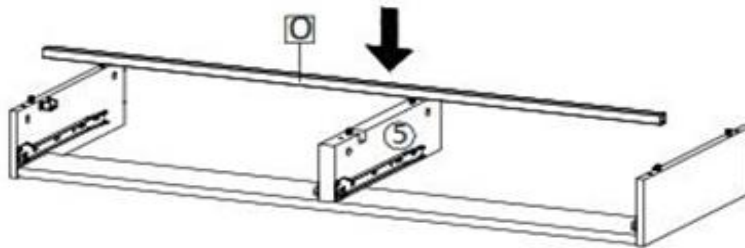
4



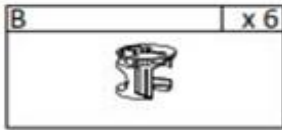
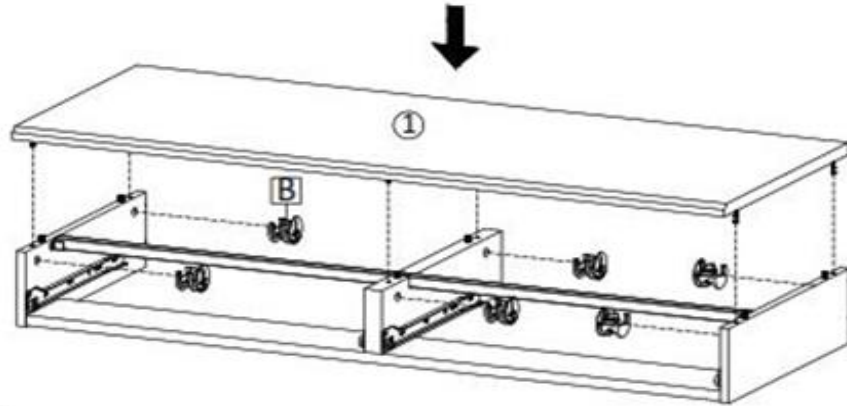
5



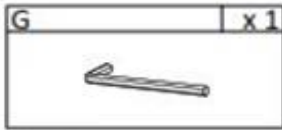
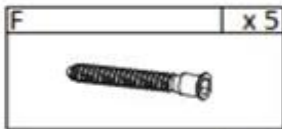
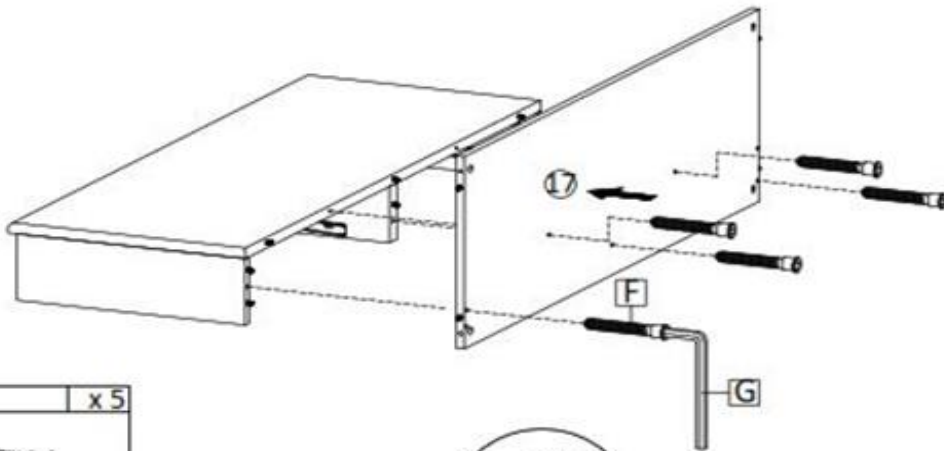
6



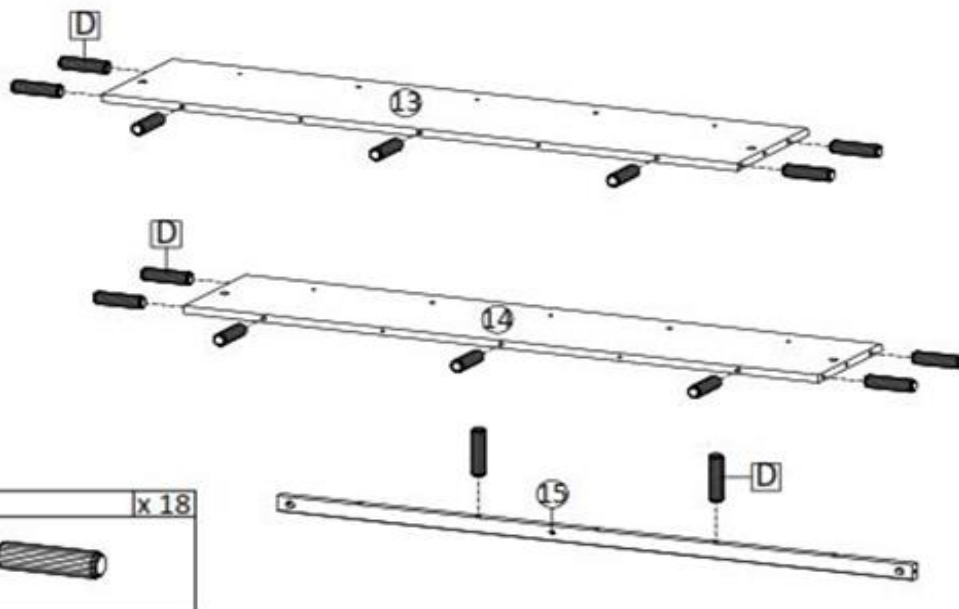
7



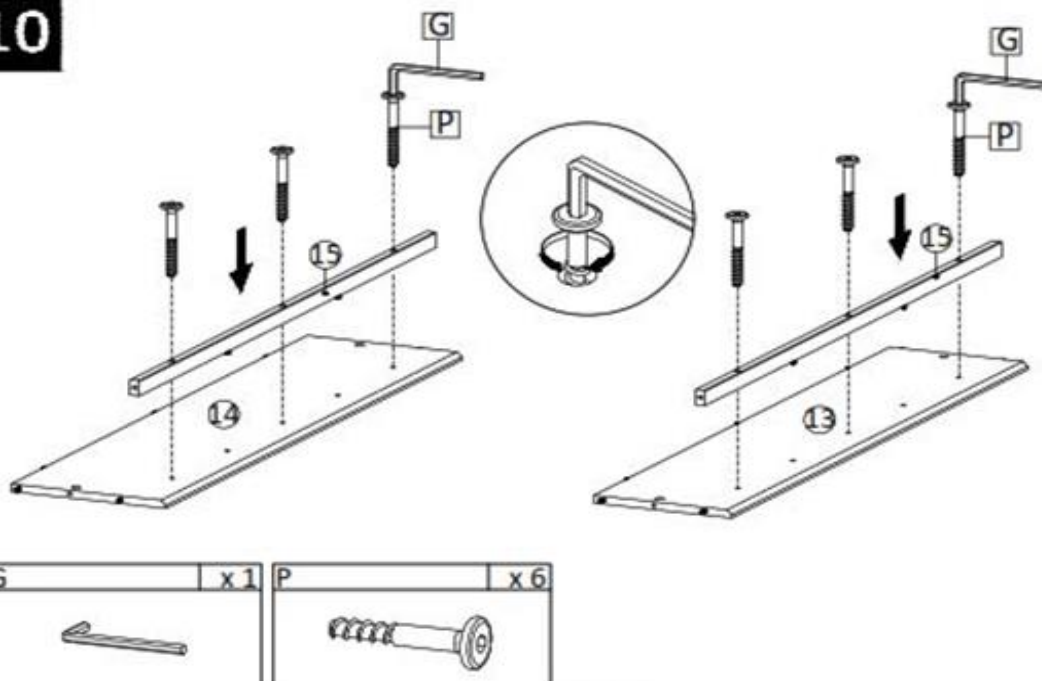
8



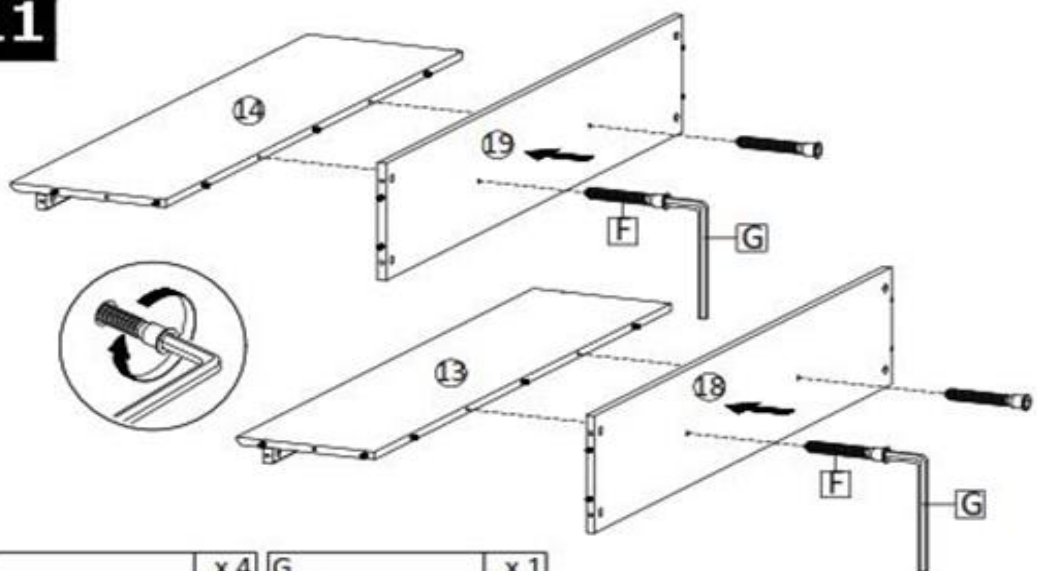
9





10

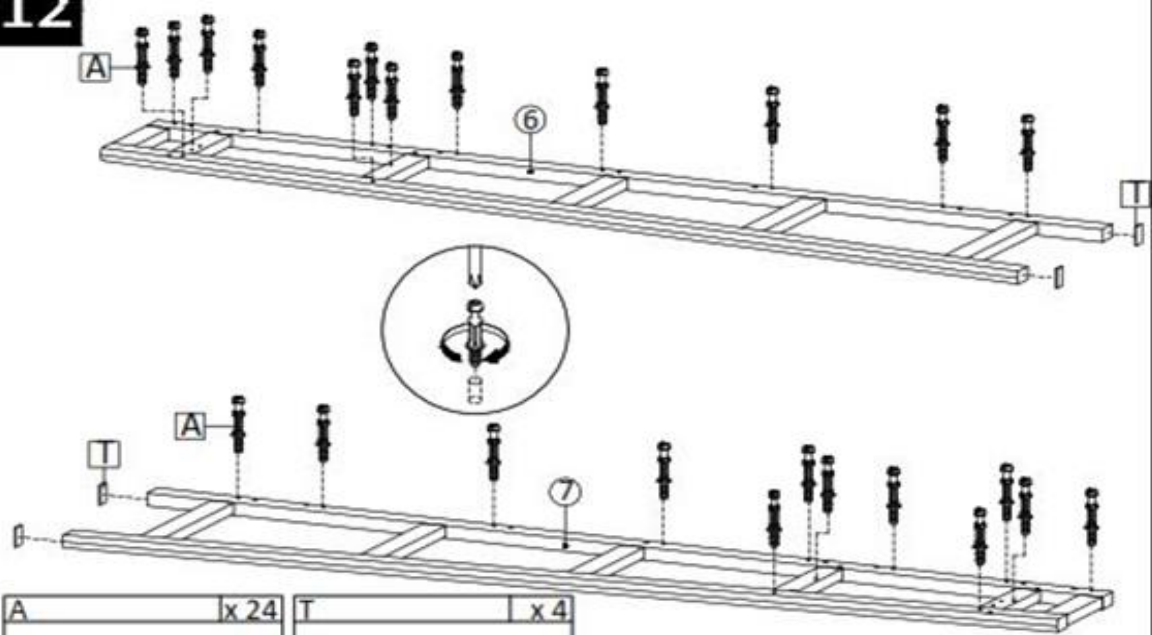


11



F	x 4	G	x 1
			

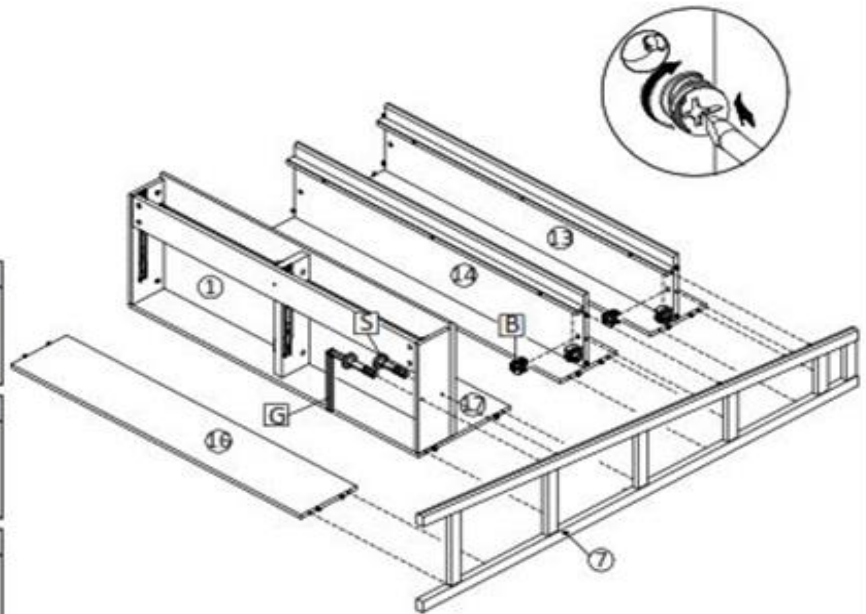
12



A	x 24	T	x 4
			

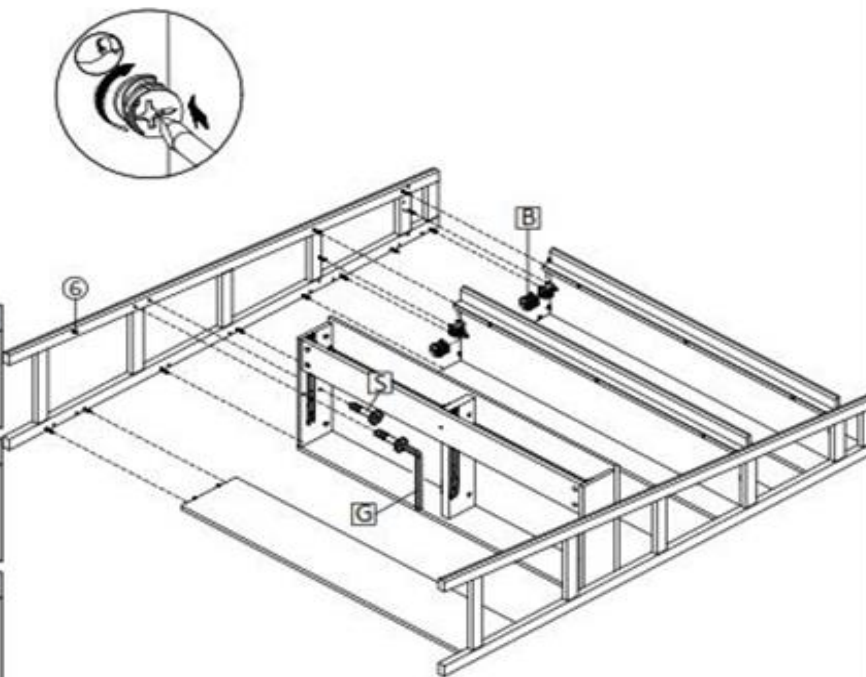
13

- B x 4
- G x 1
- S x 2

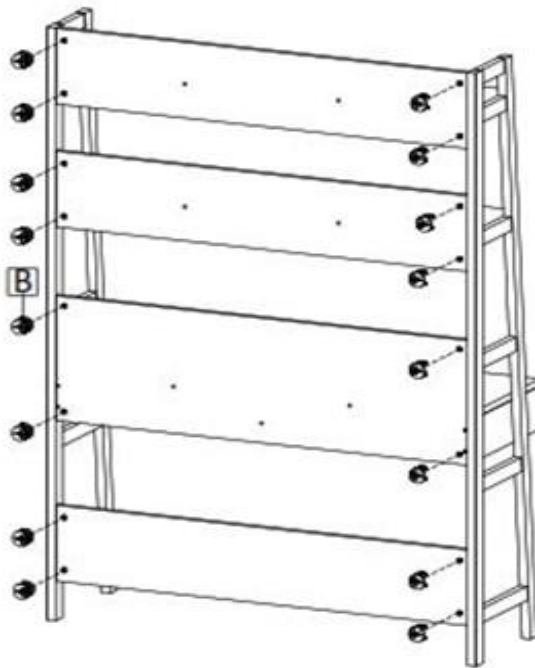


14

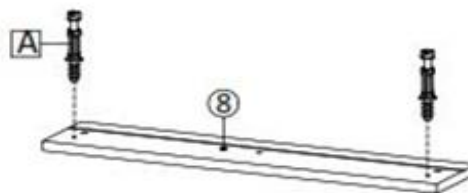
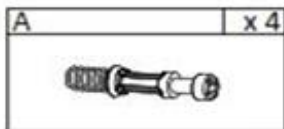
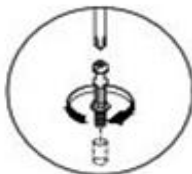
- B x 4
- G x 1
- S x 2



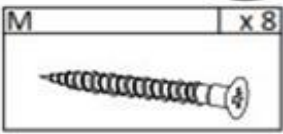
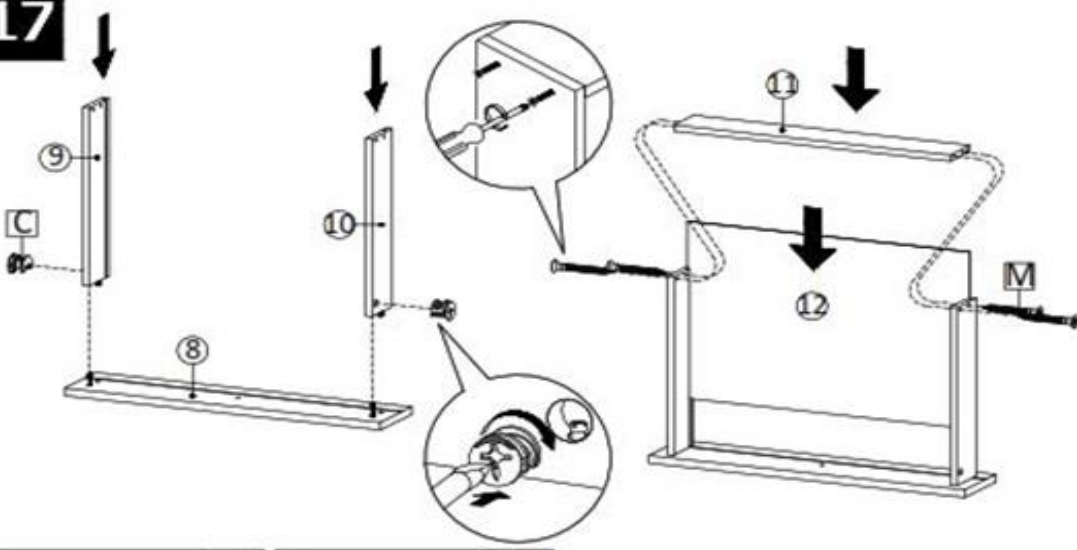
15



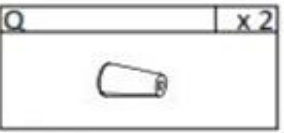
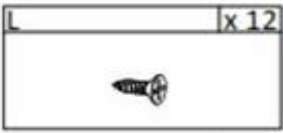
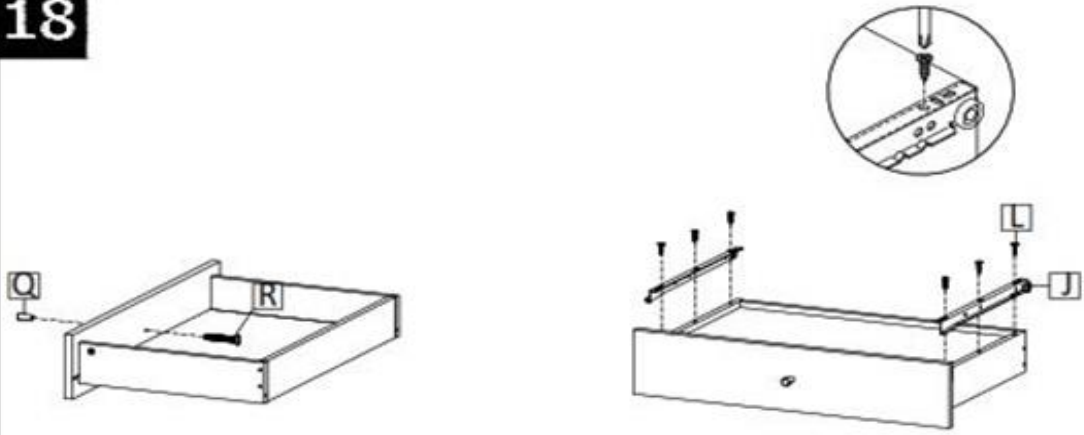
16



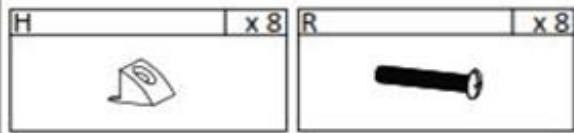
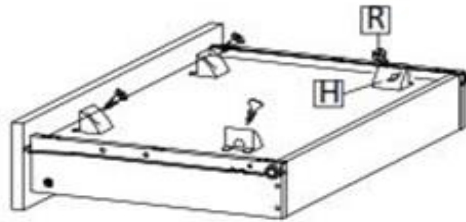
17



18



19



20



21





