

ASSEMBLY INSTRUCTIONS



Fine Furniture for every stage of life

REVERSIBLE SECTIONAL W/ STORAGE OTTOMAN

ASSEMBLY INSTRUCTIONS

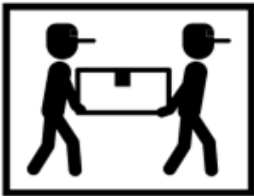
ASSEMBLY TIPS:

1. Remove hardware from box and sort by size.
2. Please check to see that all hardware and parts are present prior to start of assembly.
3. Please follow attached instruction in the same sequence as numbered to assure fast & easy assembly.



WARNING!

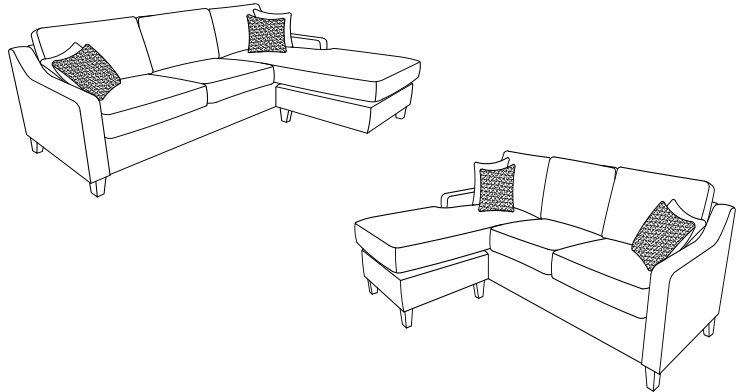
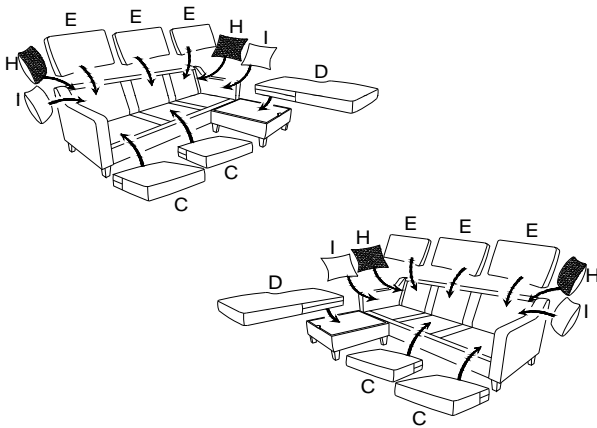
1. Don't attempt to repair or modify parts that are broken or defective. Please contact the store immediately.
2. This product is for home use only and not intended for commercial establishment.



ASSEMBLY TIME

10 MINUTES

PARTS IDENTIFICATION

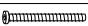
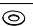




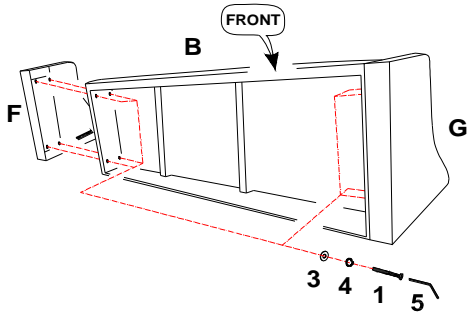
A	BACK FRAME		1PC
B	SEAT FRAME		1PC
C	SMALL SEAT CUSHION		2PCS
D	LARGE SEAT CUSHION		1PC
E	BACK CUSHION		3PCS
F	LEFT ARM FRAME		1PC
G	RIGHT ARM FRAME		1PC
H	PATTERNED PILLOW		2PCS
I	PLAIN PILLOW		2PCS
J	LEG		8PCS
K	OTTOMAN		1PC
L	MILIEU CROIX MEMBRE		1PC
M	MIDDLE LEG		1PC

Z	HARDWARE PACKAGE		
NO	DESCRIPTION	FIGURE	QTY
1	LONG BOLT 5/16" * 3"		8PCS
2	MEDIUM BOLT 5/16" * 2-1/2"		8PCS
3	FLAT WASHER 5/16" * 19mm		9 PCS+1PC SPARE
4	LOCK WASHER 5/16" * 13mm		9 PCS+1PC SPARE
5	ALLEN KEY M5		1PC
6	PLASTIC CAPS Ø19.5*21.5mm		8PCS
7	SHORT BOLT 5/16" * 1-3/8"		1PC
8	WOOD SCREW M4*60mm		2PCS
9	FLAT WASHER M4* 12mm		2PCS
10	PLASTIC GASKET 5/16" * 49mm		1PC

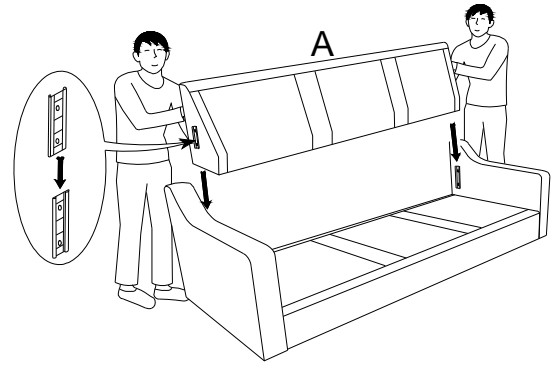
ASSEMBLY INSTRUCTIONS

STEP 1

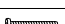
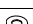
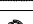

1		X 8	3		X 8
4		X 8	5		X 1

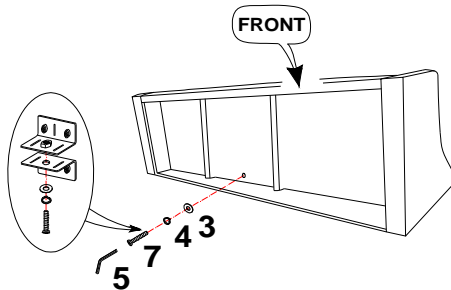


STEP 2

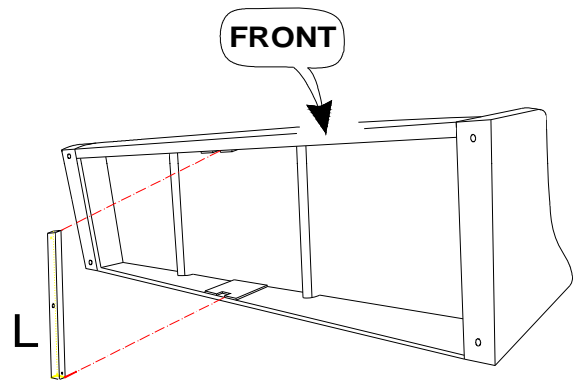


STEP 3

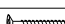

7		X 1	3		X 1
4		X 1	5		X 1

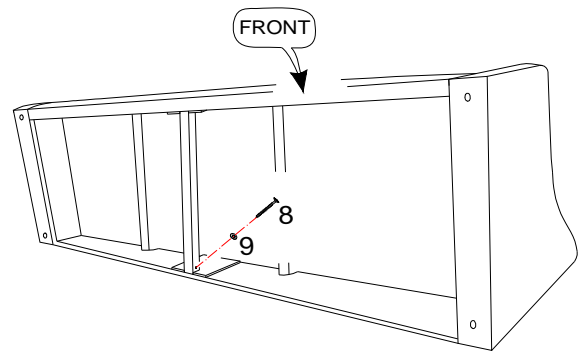
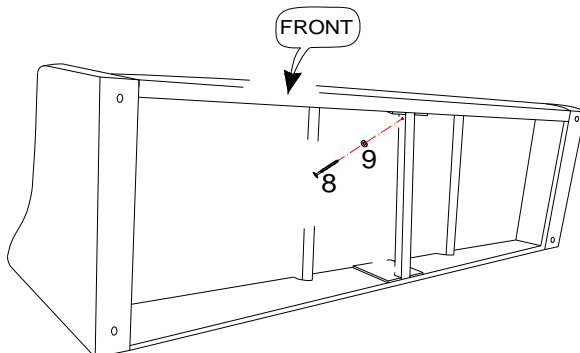


STEP 4




STEP 5

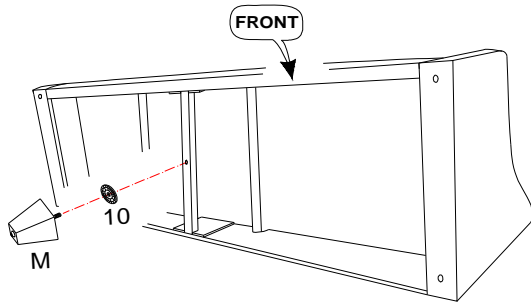
8		X 2	9		X 2
---	---	-----	---	---	-----





ASSEMBLY INSTRUCTIONS

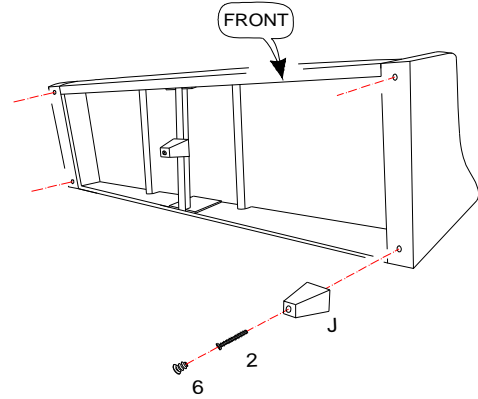
STEP 6

10  X 1

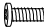



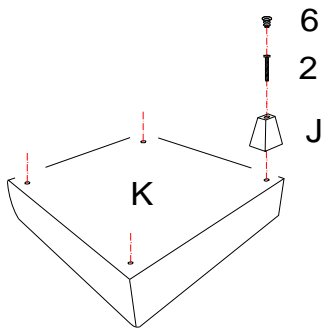
STEP 7

2  X 4 6  X 4

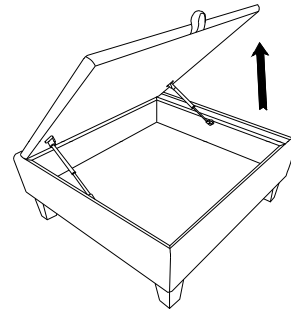


STEP 8

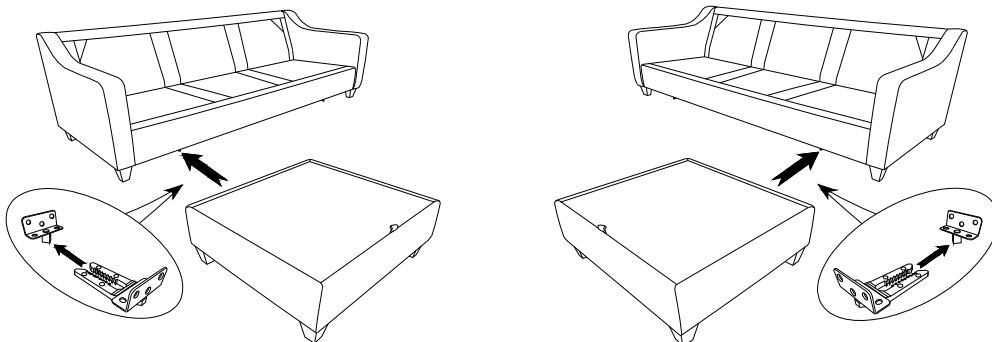
2  X 4 6  X 4



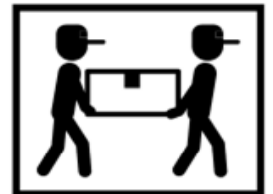
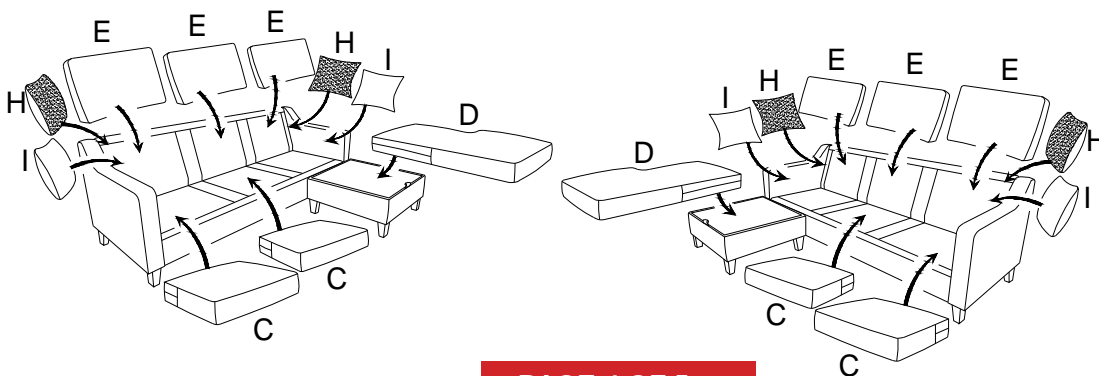
STEP 9

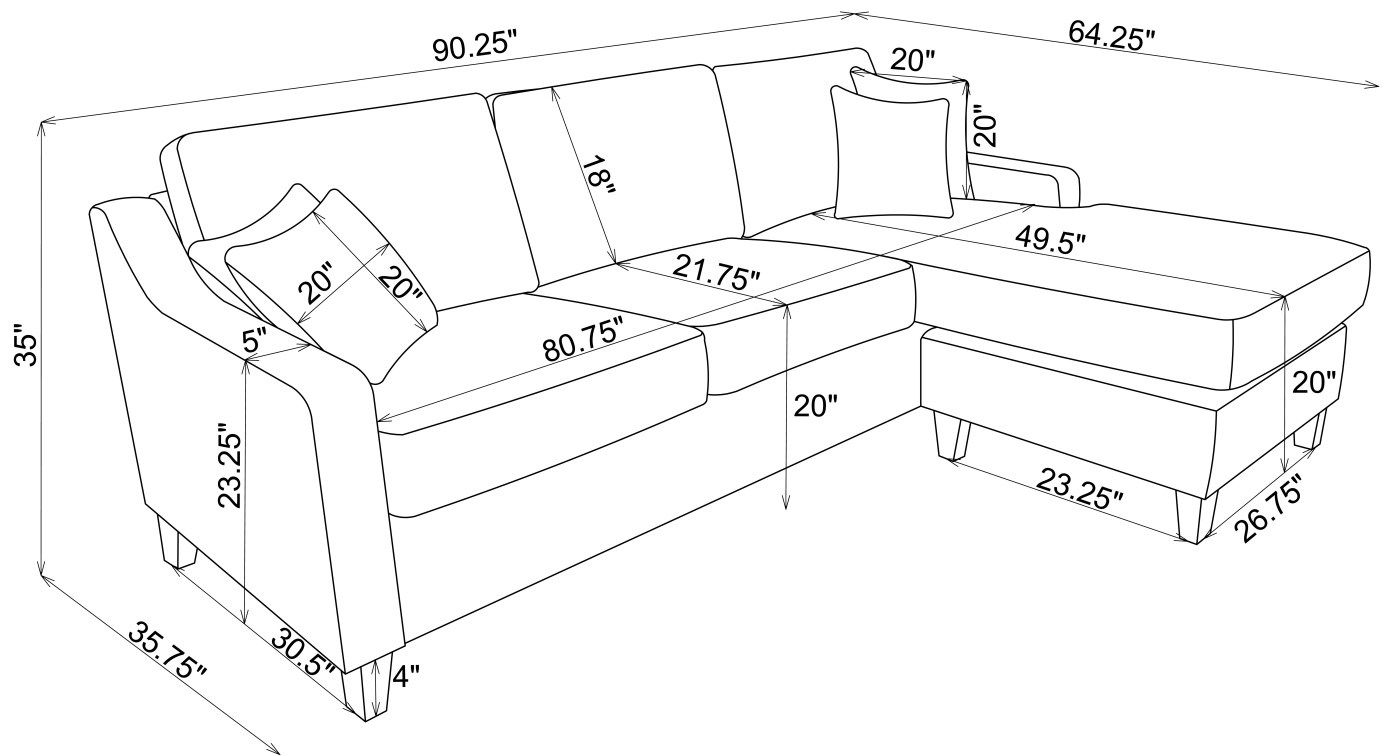


STEP 10



STEP 11





Note: Dimension tolerance $\pm 5\%$

