

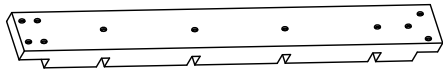
ASSEMBLY INSTRUCTION

COMPONENTS LIST

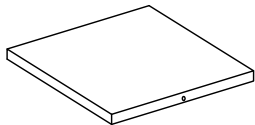
① Pole x 1



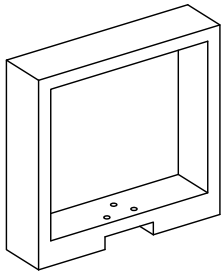
② Pole x 1



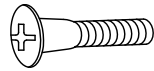
③ Layer Board x 8



④ Base x 1



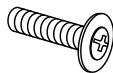
⑤ 2-1/4" Machine Screw x 8



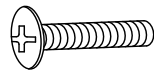
⑥ Hex Nut x 4



⑦ 1" Machine Screw x 4



⑧ 2" Machine Screw x 3



⑨ Metal Washer x 3



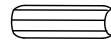
⑩ Lock Washer x 3



⑪ Hex Nut x 3



⑫ Wooden Dowel X 2



⑬ Bracket X1



⑭ 5/8" Screw X 2



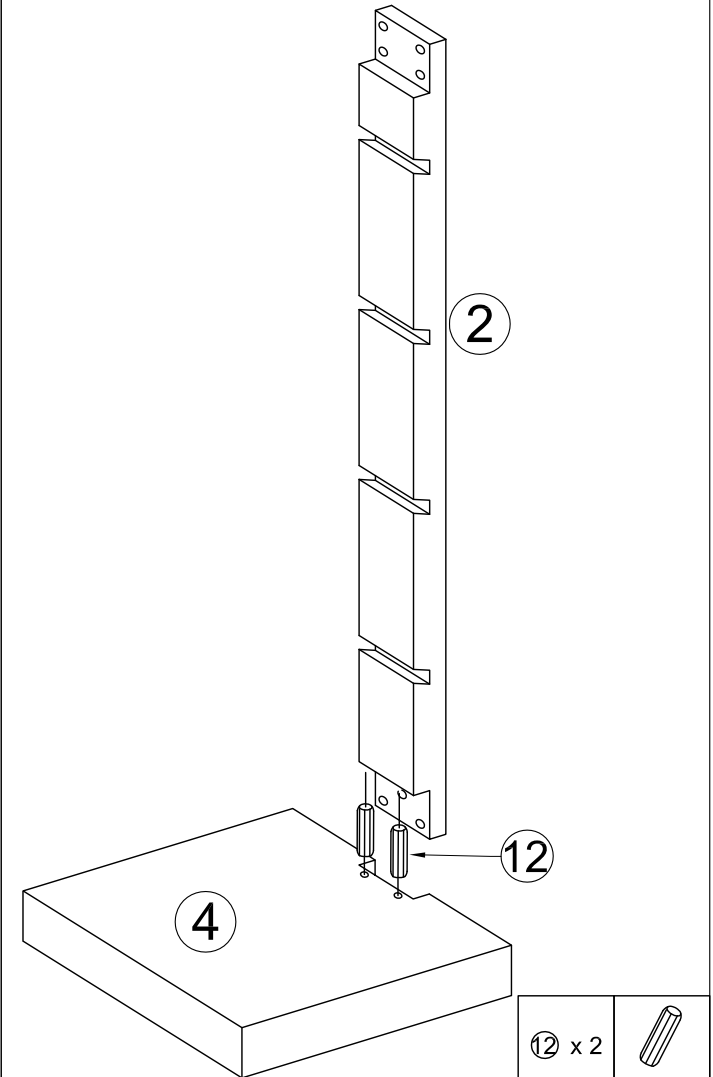
⑮ 1 1/4" Screw X 1



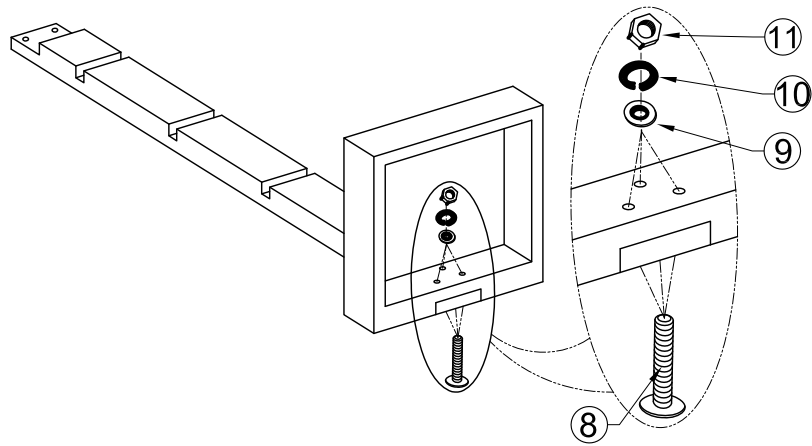
⑯ Plastic Anchor X 1



STEP 1

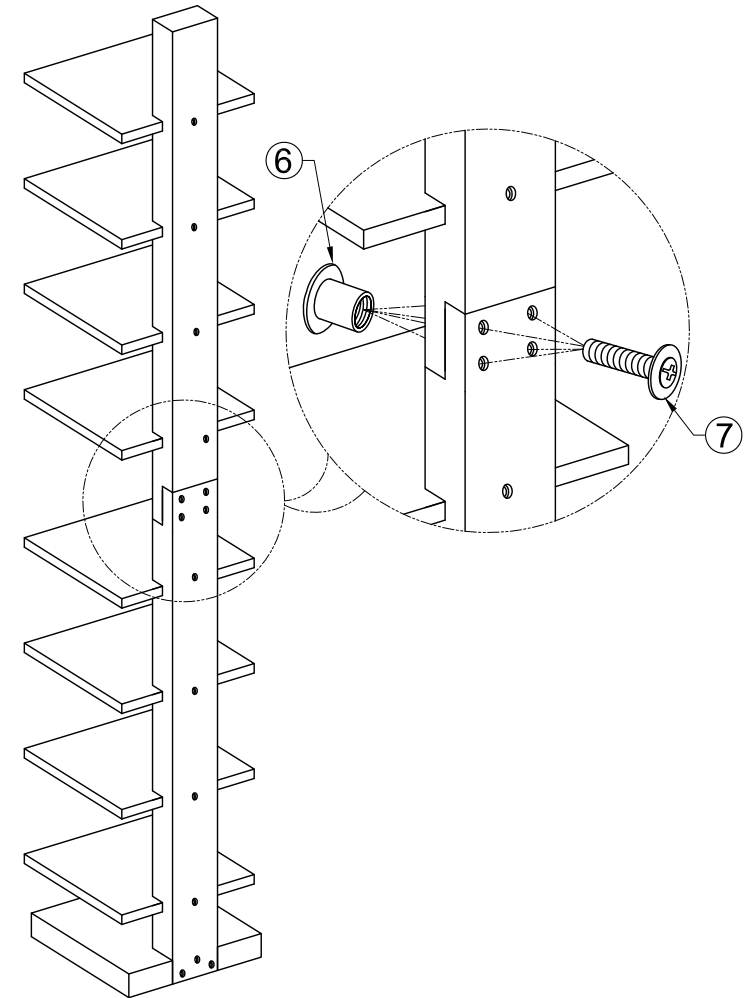


STEP 2



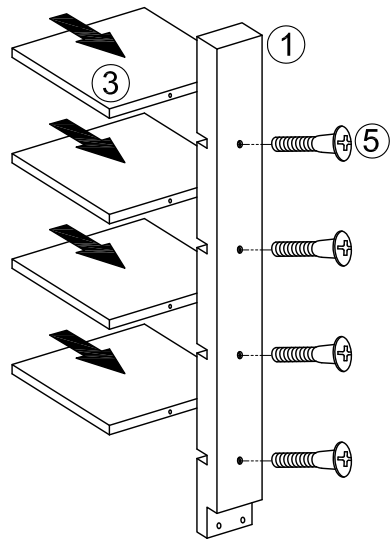
⑪ x 3	
⑩ x 3	
⑨ x 3	
⑧ x 3	

STEP 5



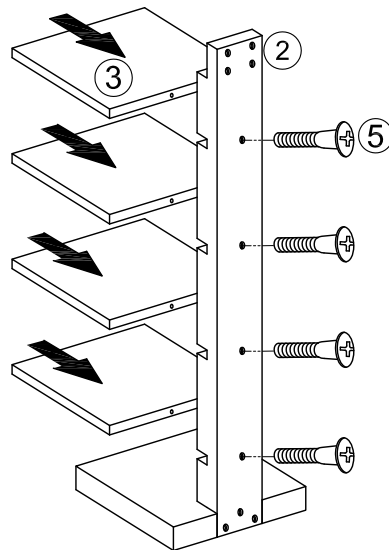
⑥ x 4	
⑦ x 4	

STEP 3



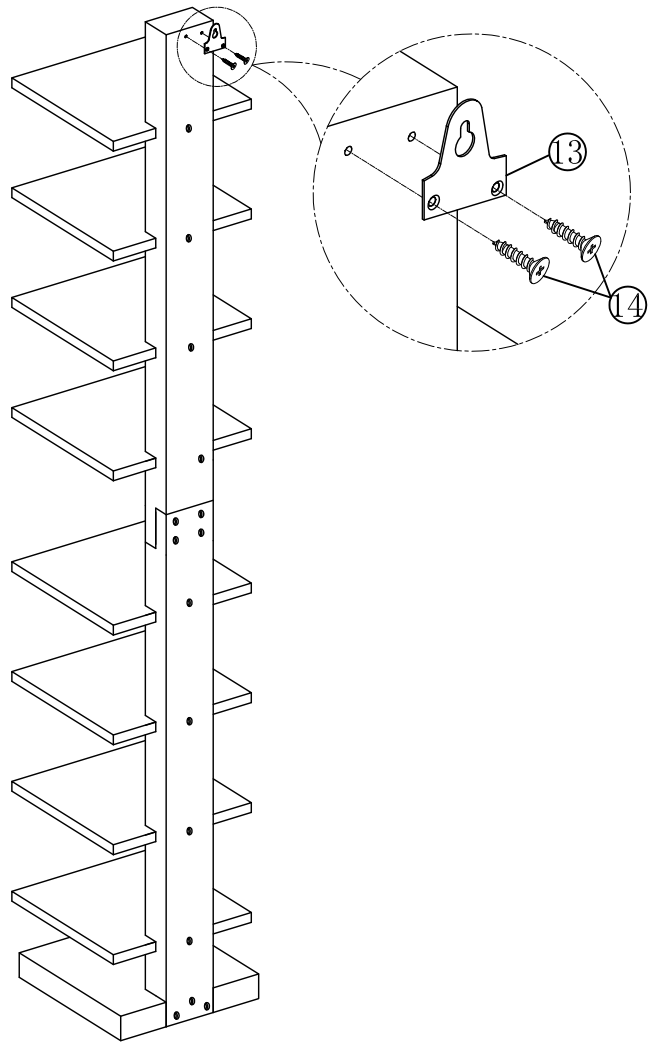
⑤ x 4	
-------	--

STEP 4

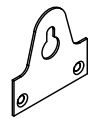


⑤ x 4	
-------	--

STEP 6



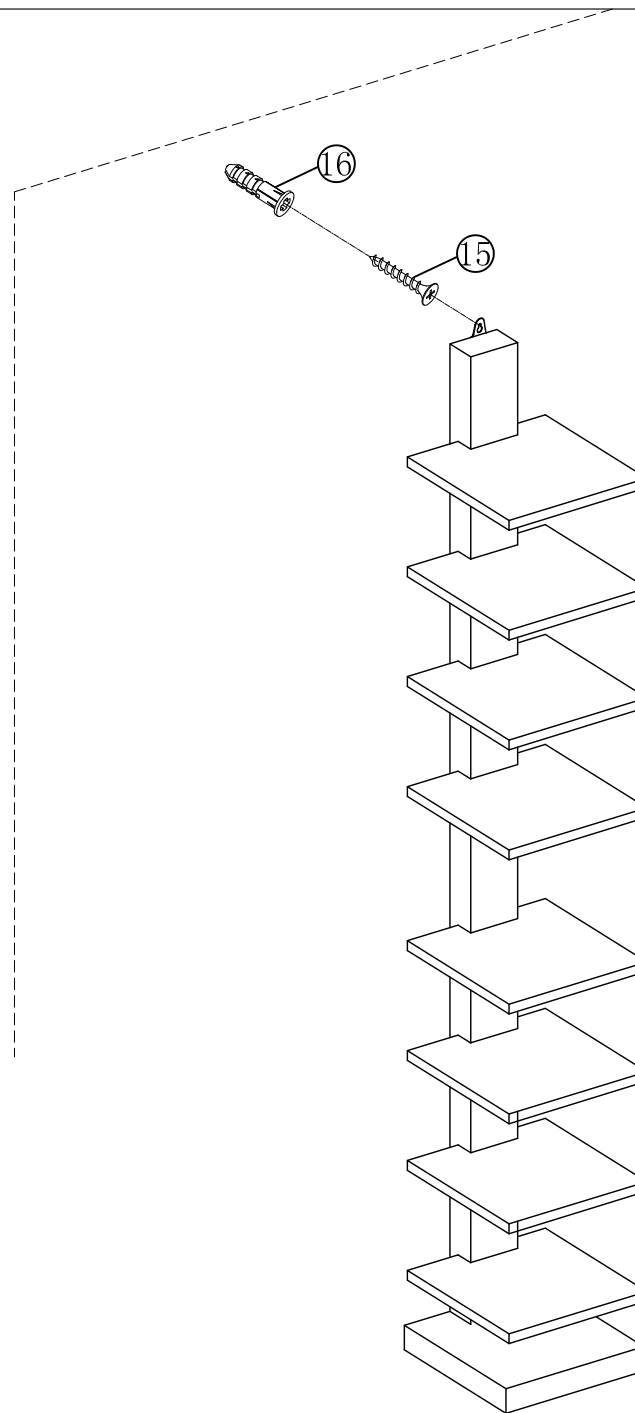
13 x 1



14 x 2



STEP 7



Completed

15 x 1



16 x 1

