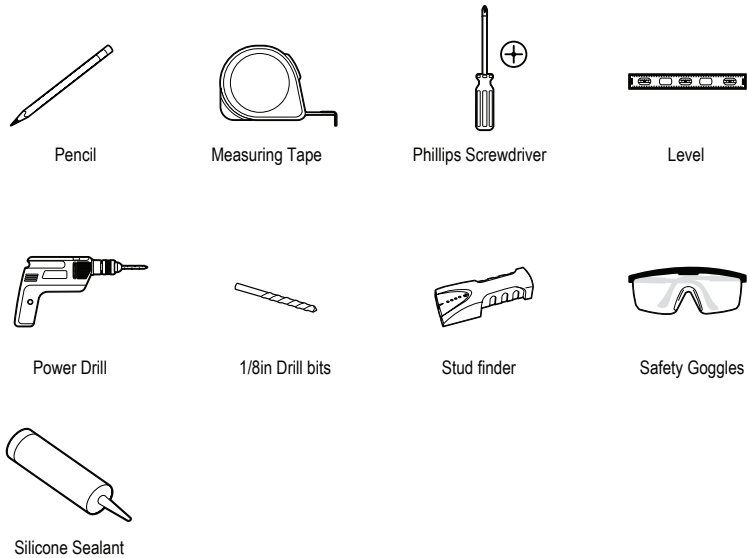
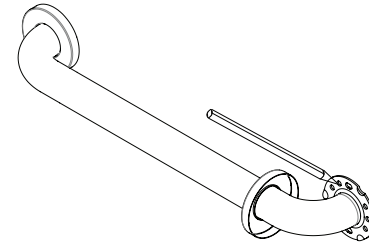


Tools Required




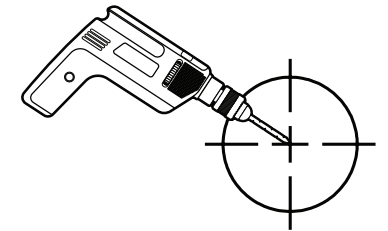
Installation

- 3** Marking the installation location
- With a pencil, mark the mounting hole locations.

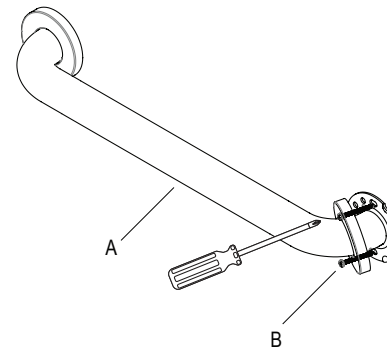


- 4** Drilling the mounting holes
- Remove the grab bar (A) from the wall and carefully drill pilot holes as marked.

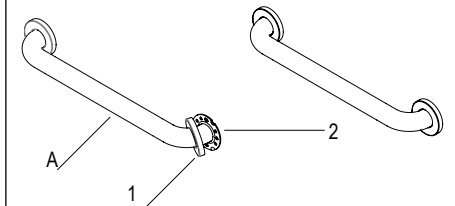
 **NOTE:** Ensure the holes are drilled into the stud.




- 5** Installing the grab bar
- Install the grab bar (A) with the accompanying screws (B). Ensure the screws are securely tightened.




- 6** Securing the grab bar
- Slide the escutcheons (1) on the grab bar (A) to the mounting plates (2), line up the 3 dimples on the side of the escutcheons and the 3 protrusions on the mounting plates, and push until they snap into place.
 - If desired, apply silicone caulking to the back of the escutcheon to protect against water penetration.



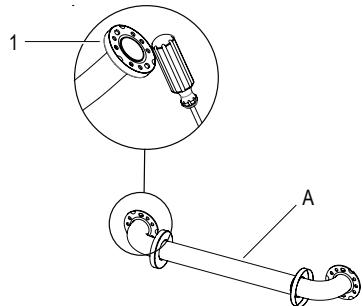
 **NOTE:** Mount the grab bar to a secure surface. The manufacturer will not accept responsibility for any and all damage caused by a lack of wall strength or improper installation.

Installation

1 Removing the escutcheon

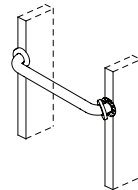
 **NOTE:** All screws must be mounted firmly into a wood stud. Locate the center of the stud by using a stud finder or other stud locating method. (Studs are usually 16 inches apart.)

- Loosen the escutcheons (1) from the grab bar (A) base by gently tapping from the back.



2 Positioning the grab bar

- Locate the center of the stud by using a stud finder (not included) or other stud locating method.



- Place the grab bar (A) on the wall where desired so that the mounting holes are positioned over a wood stud. Use a level if needed.

