

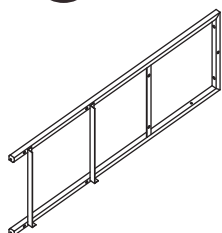
# Dresser TV Stand

## Instruction Manual



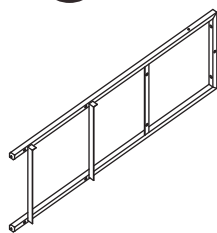
# 1 Component List

**A** X1



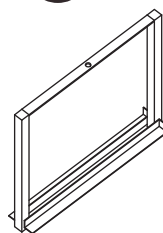
Side Frame

**B** X1



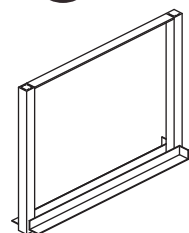
Side Frame

**C** X2



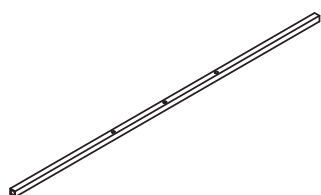
Middle Frame

**D** X1



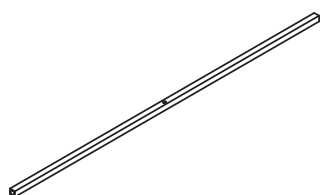
Middle Frame

**E** X2



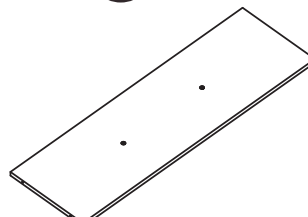
Cross Tube

**F** X3



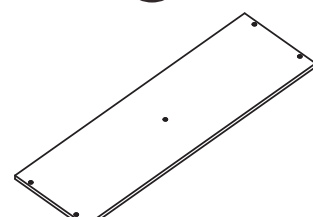
Cross Tube

**G** X1



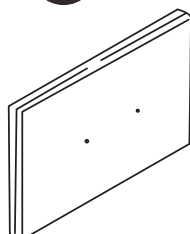
Middle Board

**H** X1



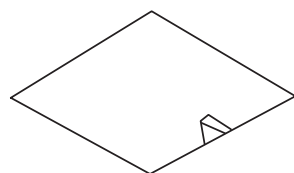
Top Board

**I** X2



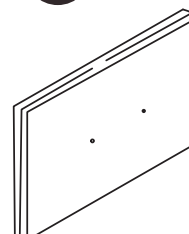
Drawer

**J** X2



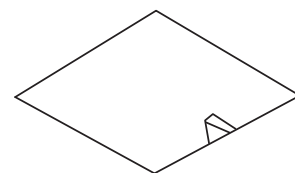
Base Board for Drawer

**K** X3



Drawer

**L** X3



Base Board  
for Drawer

## 2 Supplied Parts and Hardware

**1** X4



Adjusting Foot  
M6x28mm

**2** X18



Bolts  
M6x30mm

**3** X5



Bolts  
M6x25mm

**4** X2



Bolts  
M6x12mm

**5** X4



Bolts  
M5.5x30mm

**6** X5



Drawer Handle

**7** X10



Bolts  
M4x10mm

**8** X2



Bolts  
M4x60mm

**9** X2

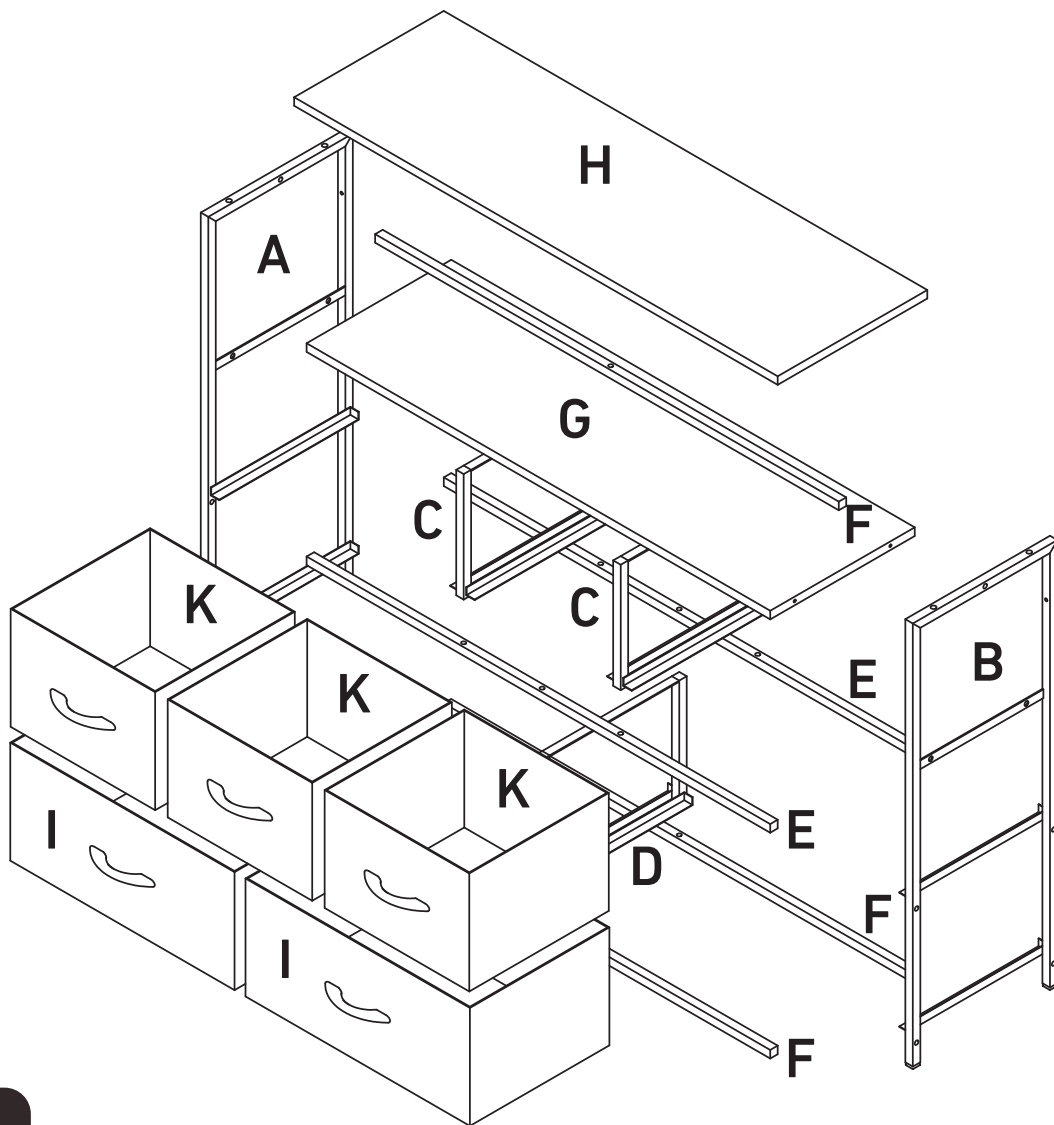


Expansion Tube

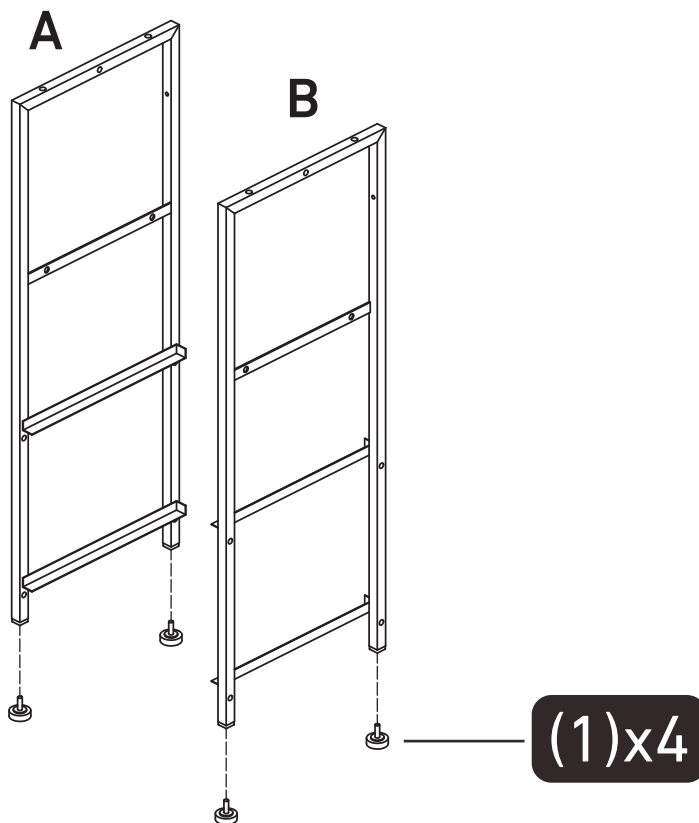
**10** X1



Wrench

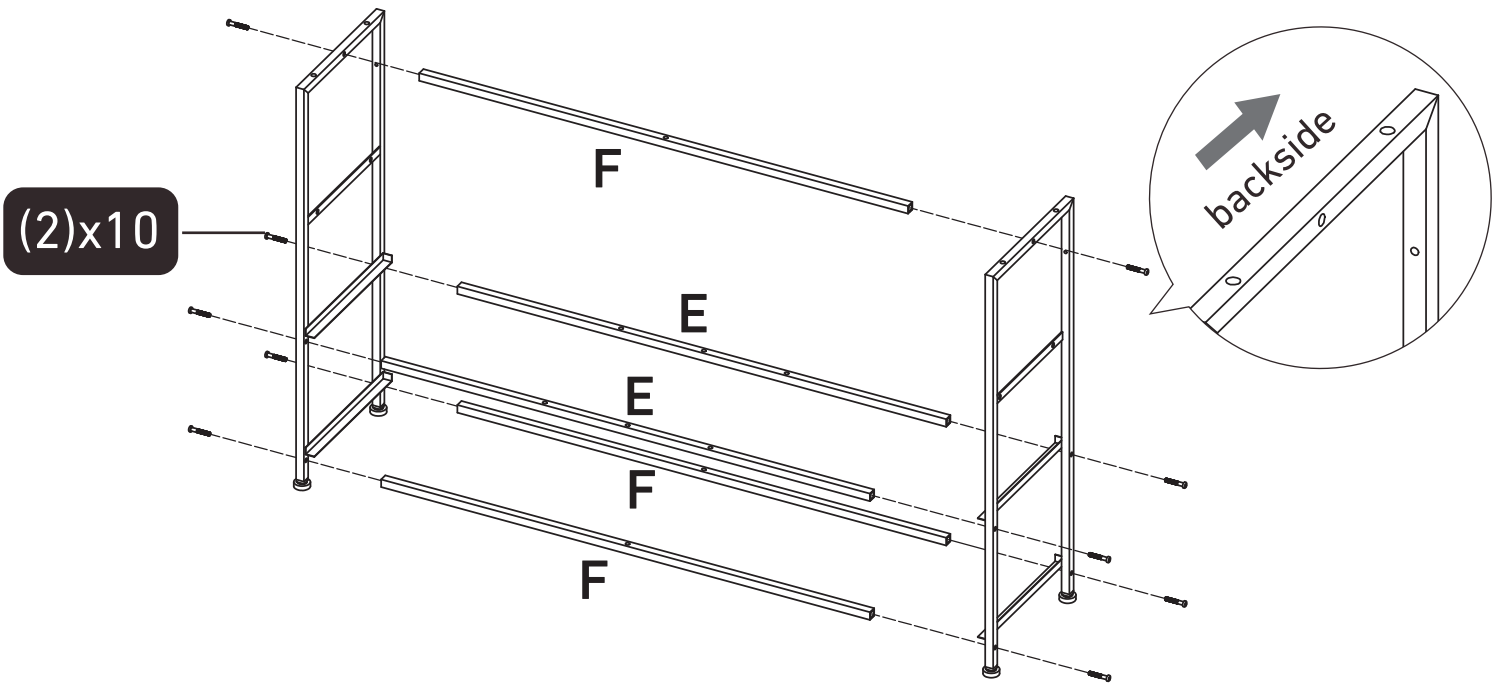


**Step 1**



Install Adjusting Foot (5)\*4 to the Side Frames (B&C).

## Step 2



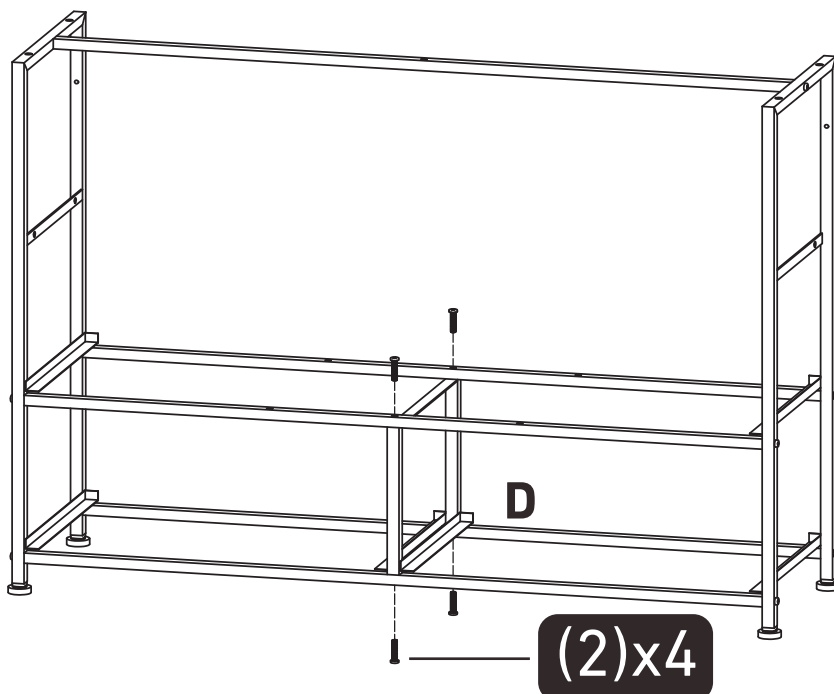
As shown, use Bolts **(2)\*10**, and install Cross Tube **(F)** to the top of Side Frames **(A&B)**

Install Cross Tube **(E)\*2** to the middle of the Side Frames **(A&B)**, and install Cross Tube **(F)\*2** to the bottom of the Side Frames **(A&B)**.

### NOTE:

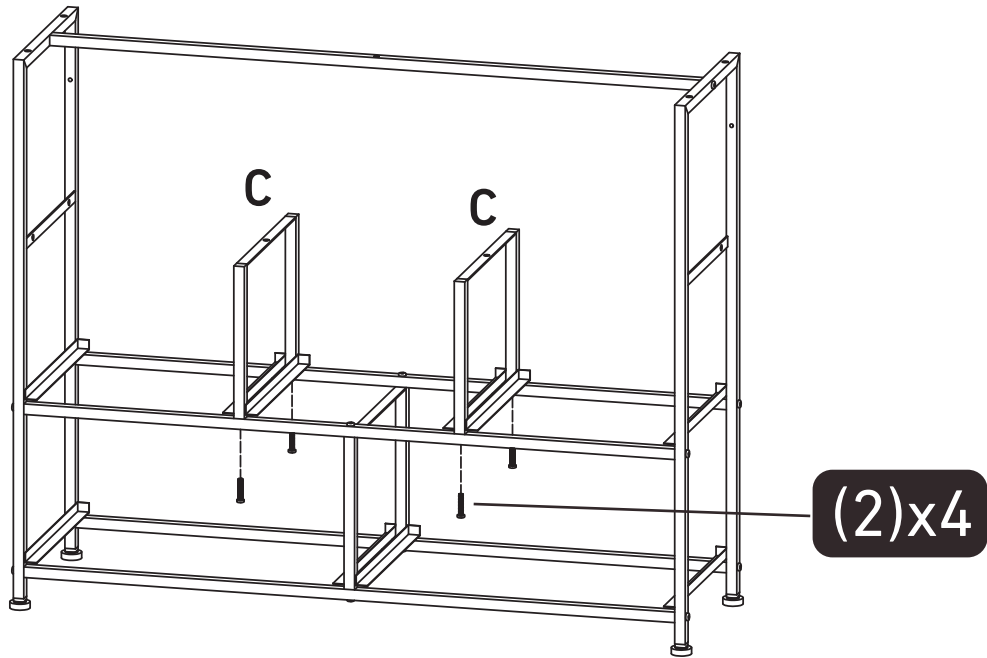
Side Frames **(A&B)** face the same direction, with holes facing backward.

## Step 3



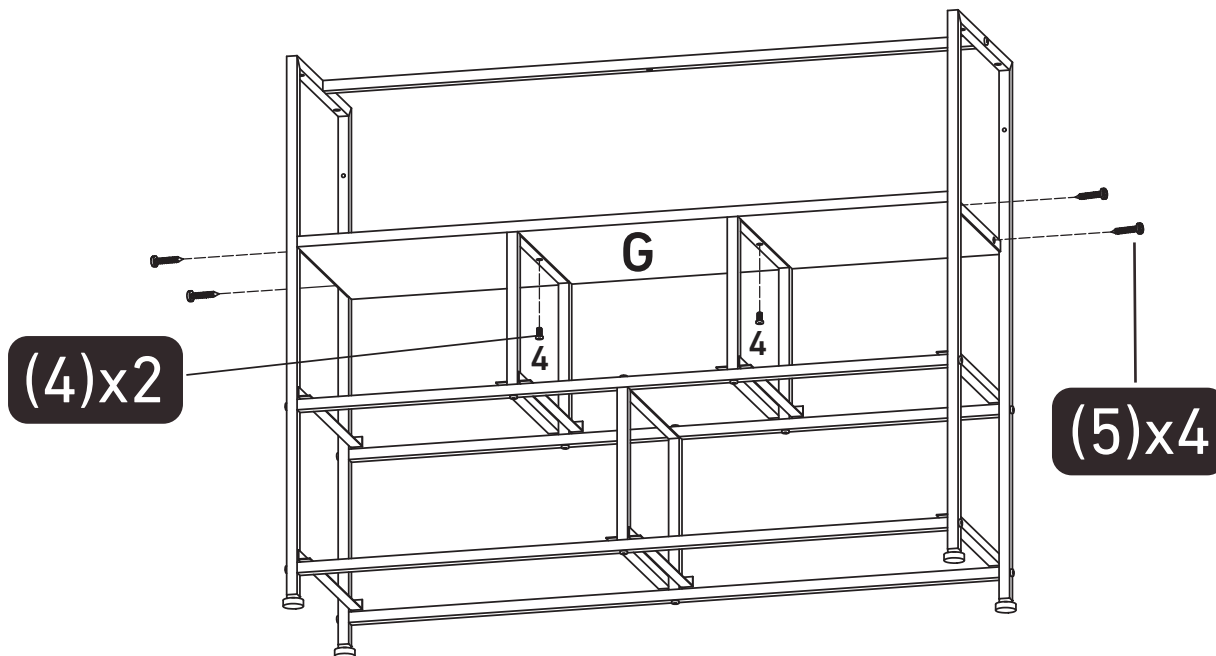
Install Middle Frame **(D)** to the Cross Tubes **(E&F)** with Bolts **(2)\*4**.

## Step 4



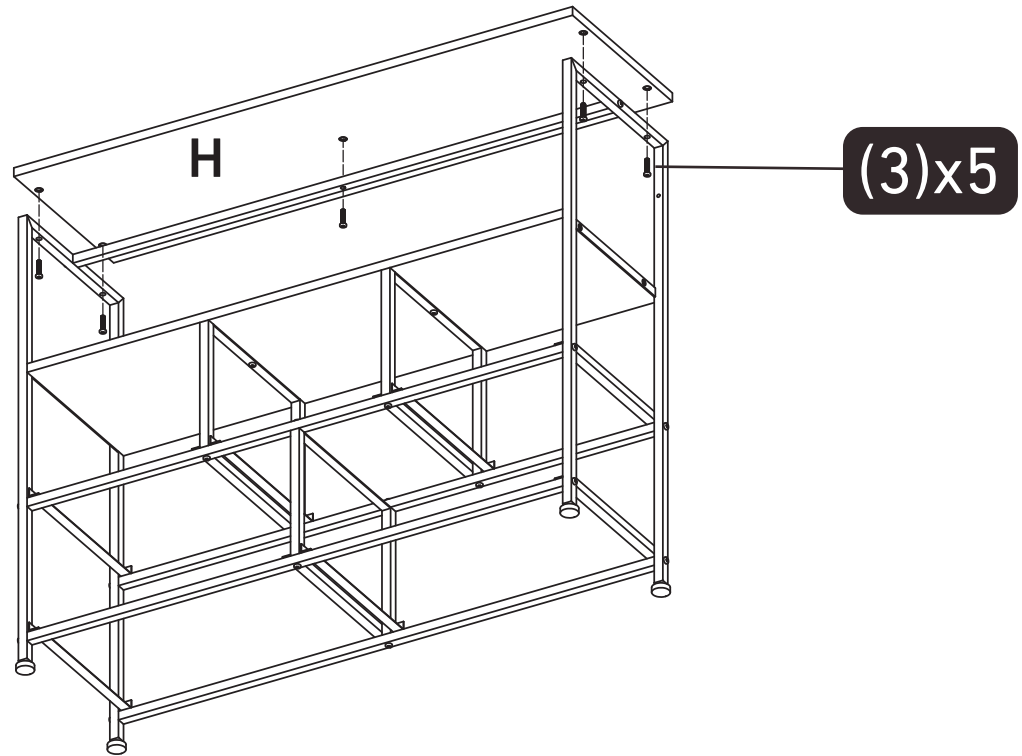
Install Middle Frame (C)\*2 to the Cross Tube (E) with Bolts (2)\*4.

## Step 5



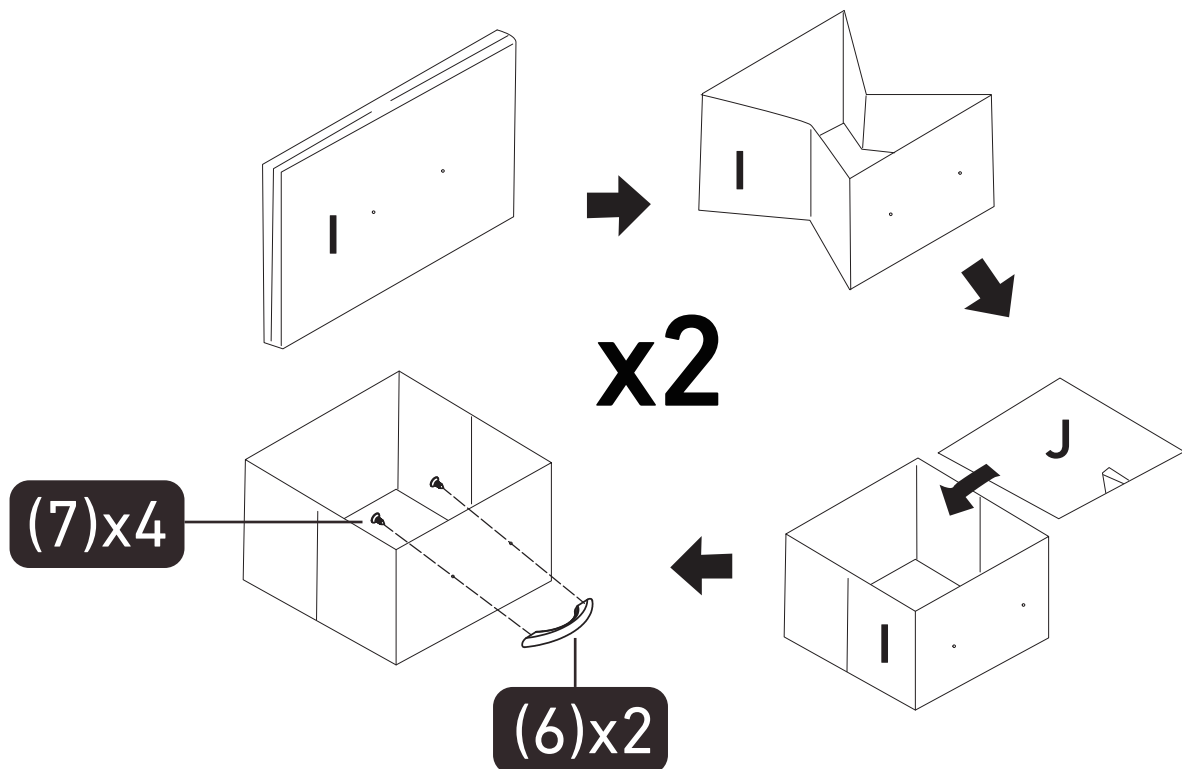
As shown, Install the Middle Board (G) to the Side Frames (A&B) with Bolts (5)\*4 and to the Middle Frame (C)\*2 with Bolts (4)\*2.

## Step 6



Attach Top Board (**H**) to the Frame, and tighten the Bolts (**3**)\***5**.

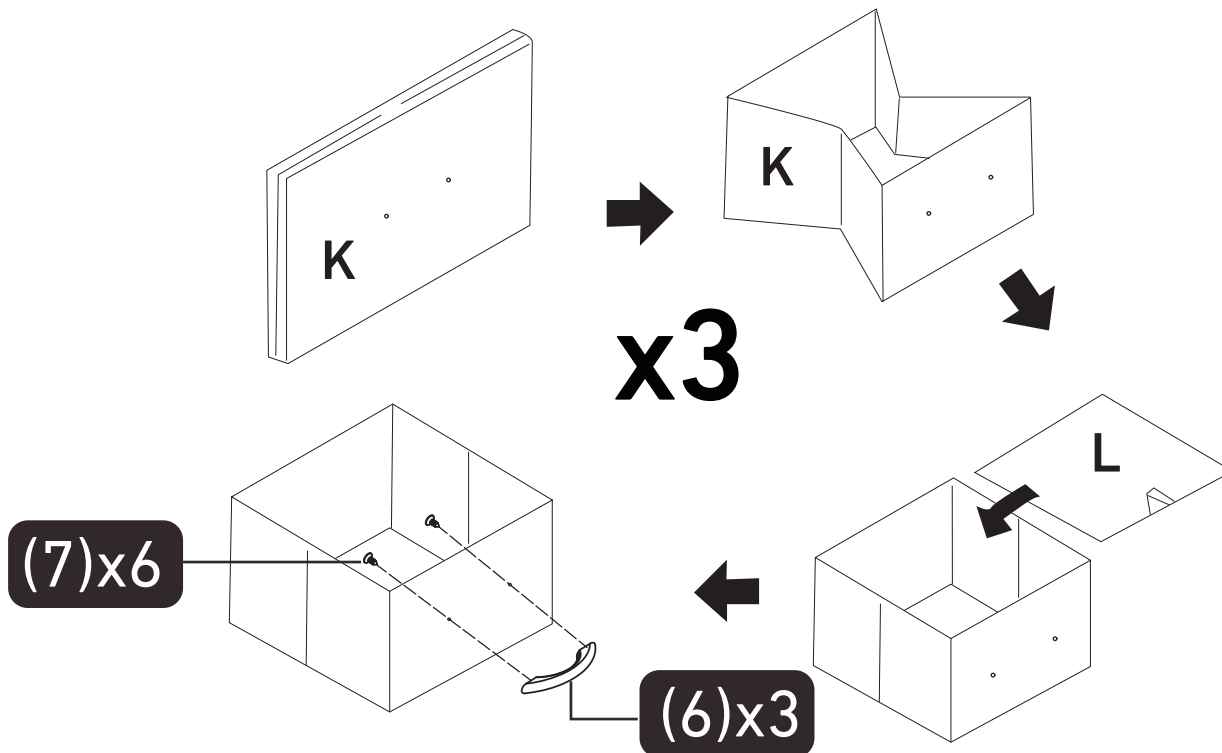
## Step 7



Place Base Board for Drawer (**J**) into the expanded Drawer (**I**), and install the Drawer Handle (**6**) with Bolts (**7**)\***2**.

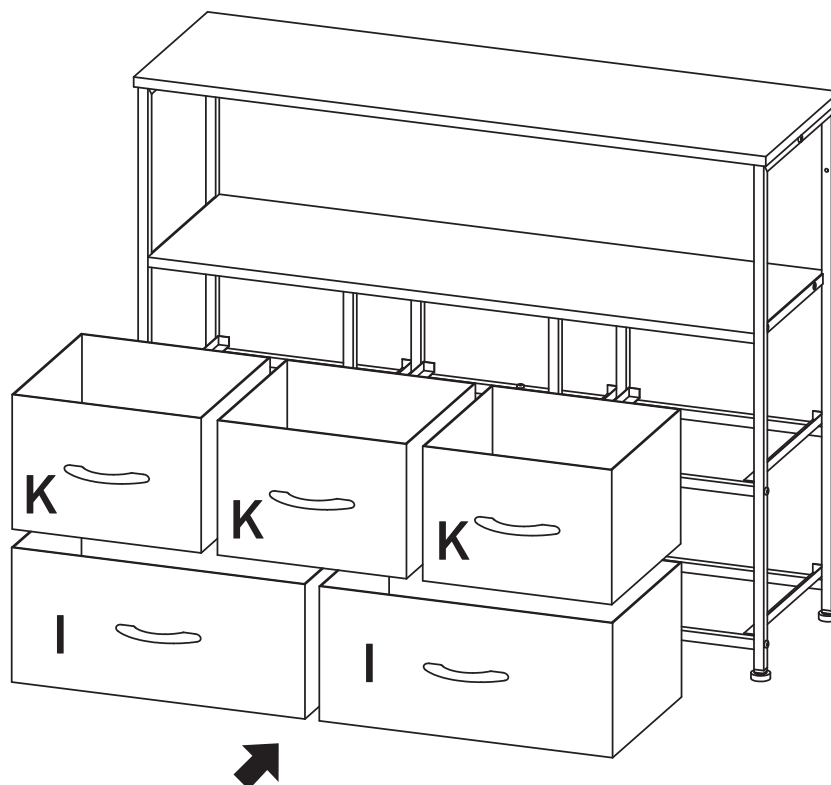
Install the two Drawers (**I**)\***2** in the same way.

## Step 8



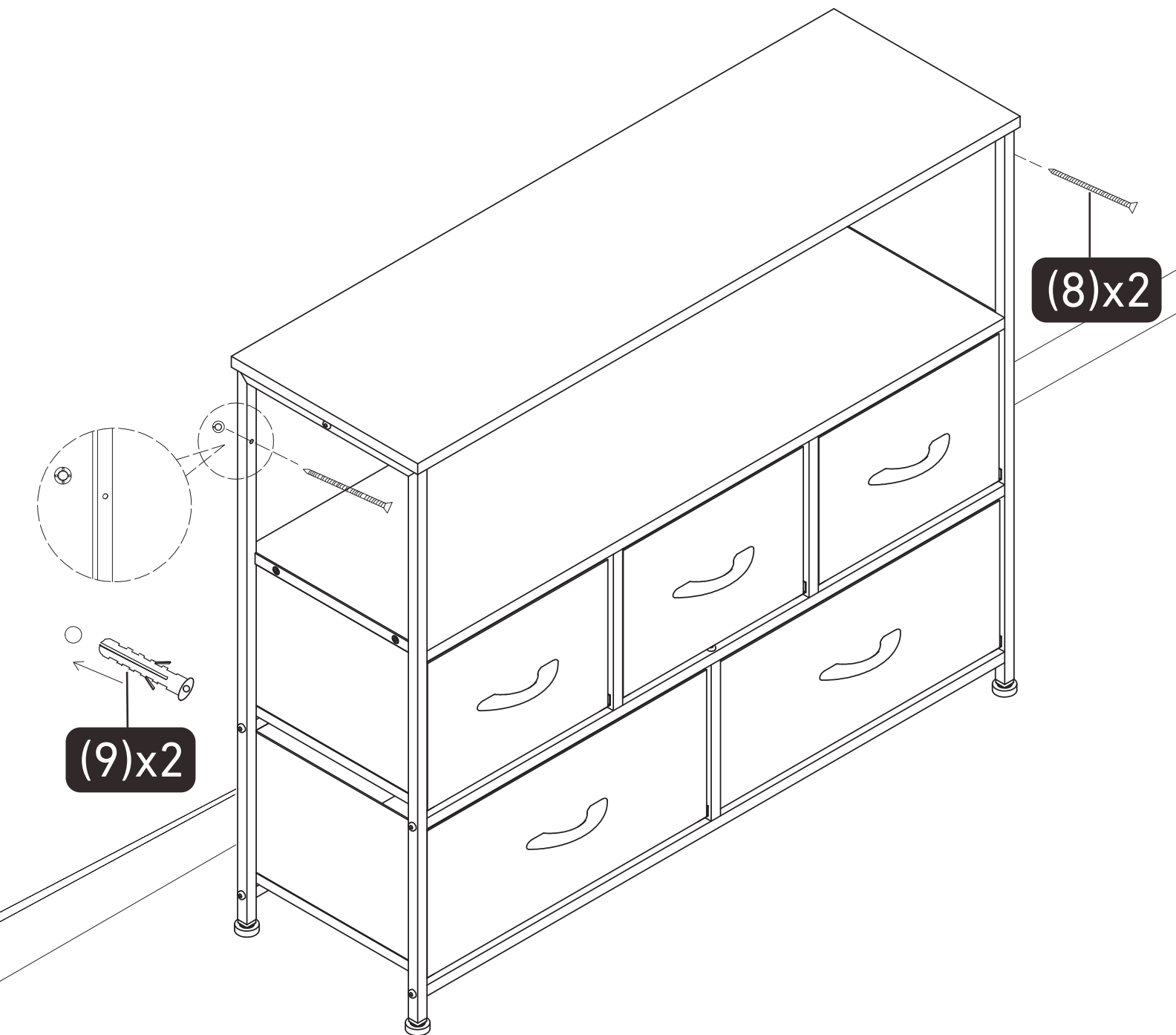
Install Drawer **(K)\*3**, Base Board for Drawer **(L)\*3** and drawer handle **(6)\*3** in the same way as in the previous step.

## Step 9



Put the installed Drawers **(K&I)** into the frame in turn.

## Step 10



If you need to fix the Dresser TV Stand to the wall, drill holes in the wall with an electric drill, then insert Expansion Tube **(9)\*2** and fix the Dresser TV Stand with Bolts **(8)\*2**.

