

Assembly Guide

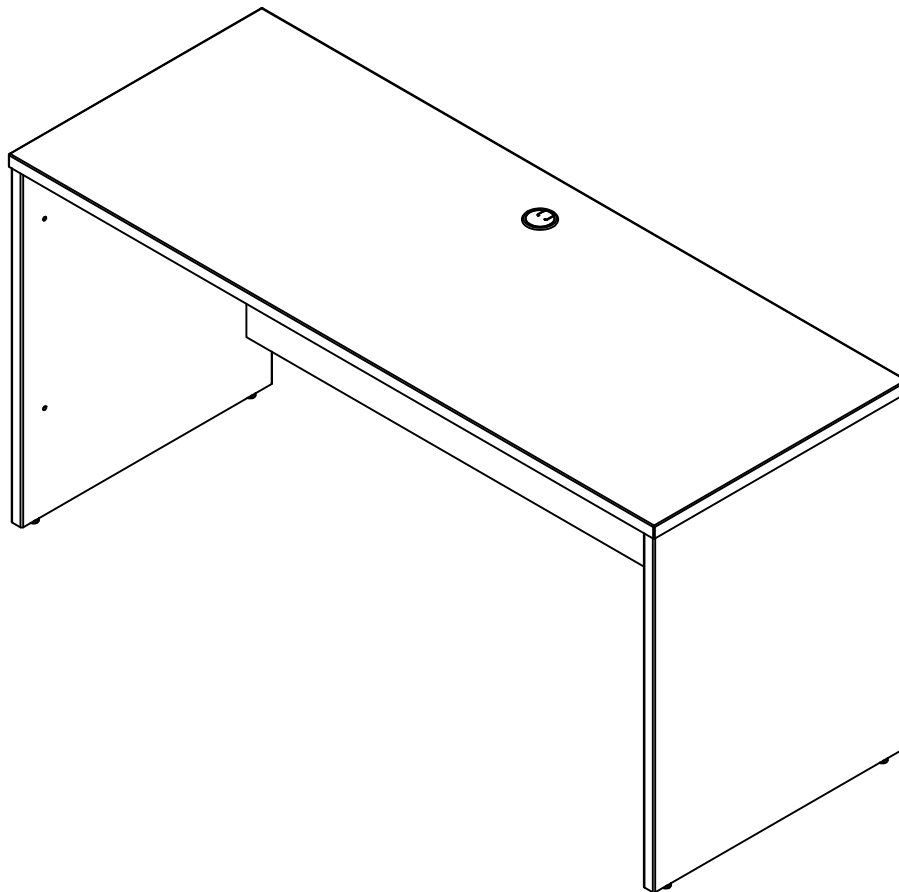


If you're having any difficulty during assembly of this product, don't hesitate to call us at **1-800-950-4782.**

Our customer service experts are trained to provide step-by-step instruction and can easily replace any missing or damaged parts.

Representatives are available Monday-Friday from 8:30 a.m. to 7:30 p.m. (ET)

60x24 Desk/Credenza/Return



Lot Code #

Instruction Sheet Number A177026H

Keep manual for future reference.

For best results, keep these tips in mind:

- ① We know you want to finish this assembly as quickly as possible, but trust us: you'll have a better experience if you take it one step at a time.
- ② Give yourself some room to work near where you want the fully assembled product.
- ③ If your floor isn't carpeted, assemble this product on the empty carton to avoid scratching.
- ④ Do you have a friend who owes you a favor? Some steps may go a little easier with a second set of hands.

DOs

- ✔ Use a #2 Phillips head screwdriver (or other handheld tools as indicated)
- ✔ Wear safety glasses at all times during assembly
- ✔ Carefully follow the instructions in this guide and complete all steps in order
- ✔ Give us a call if you're having trouble with a particularly tricky step

DON'Ts

- ✘ We know power tools are quick and easy, but you shouldn't use them when assembling this product (unless otherwise specified)
- ✘ Never move your furniture with items inside or resting on the surface
- ✘ Do not attempt to use this product before all steps have been completed



Watch assembly videos right on your phone or computer!



Some steps include QR codes that link to helpful videos. Watch out for the icon below! Simply open up your smartphone camera to scan the code.

(Users of older smartphones may need to install a QR Reader.)

SCAN HERE



FOR VIDEOS

Or visit <https://www.bushbusinessfurniture.com/CustomerService/HowtoAssemble.aspx>

IMPORTANT SAFETY INFORMATION



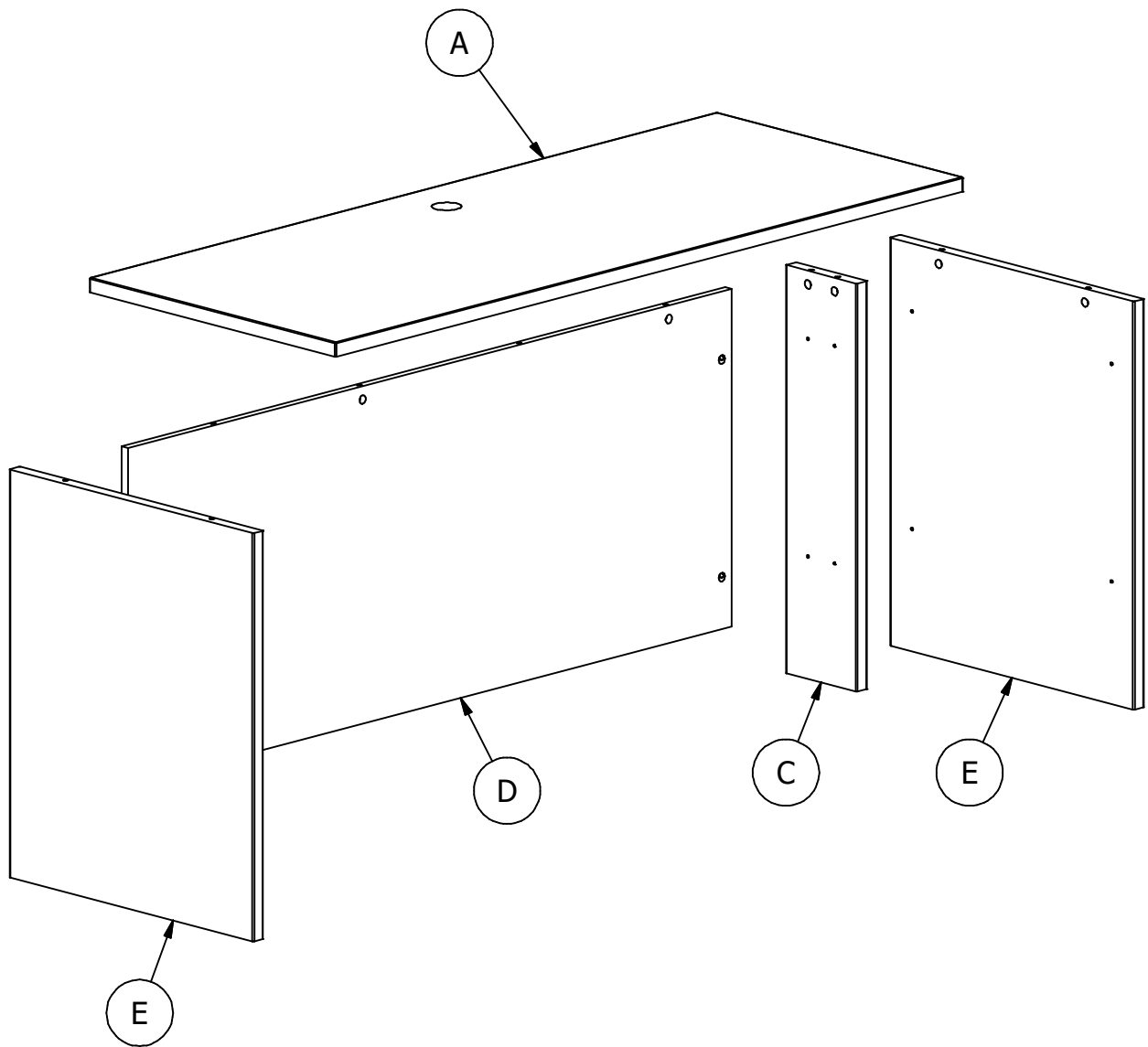
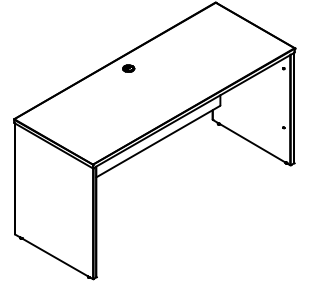
PLEASE READ WARNINGS

Improper use can cause safety hazards, or damage to your furniture and household items.

Warning	Do	Don't	Why it's important
Serious injury may occur.	<ul style="list-style-type: none">Assemble following all instructions using all indicated parts and hardware provided.	<ul style="list-style-type: none">Do not move unit when loaded.Do not load with a television or other heavy equipment.Do not exceed the maximum load limits stated in the instructions.	Improper assembly, use or loading can lead to product instability, tip-over or collapse.

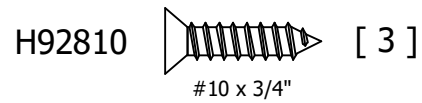
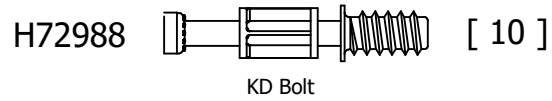
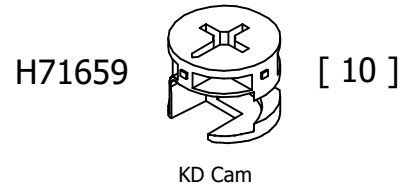
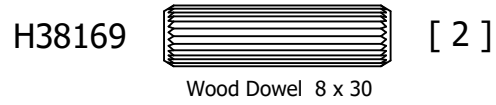
Advertencia	Hacer	No	Por qué es importante
Se pueden producir lesiones graves.	<ul style="list-style-type: none">Ensamble siguiendo todas las instrucciones utilizando todas las piezas y ferretería indicados provistos.	<ul style="list-style-type: none">No mueva la unidad cuando esté cargada.No cargue con un televisor u otro equipo pesado.No exceda los límites máximos de carga establecidos en las instrucciones.	El ensamblaje, uso o carga inadecuados pueden provocar inestabilidad del producto, vuelco o colapso.

Avertissement	Faire	Ne le fais pas	Pourquoi c'est important
Des blessures graves peuvent survenir.	<ul style="list-style-type: none">Assemblez en suivant toutes les instructions en utilisant toutes les pièces et le matériel indiqués fournis.	<ul style="list-style-type: none">Ne déplacez pas l'unité lorsqu'elle est chargée.Ne chargez pas avec un téléviseur ou un autre équipement lourd.Ne dépassez pas les limites de charge maximale indiquées dans les instructions.	Un assemblage, une utilisation ou un chargement incorrects peuvent entraîner une instabilité du produit, un renversement ou un effondrement.



Have an assembly question or need a replacement part? Just call
1-800-950-4782, we are here to help.

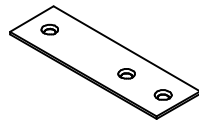
Fasteners are shown actual size.



Have an assembly question or need a replacement part? Just call
1-800-950-4782, we are here to help.

Hardware not to scale.

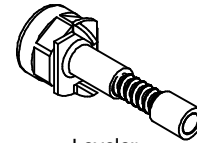
H92809



Strap

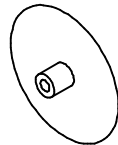
[1]

H184043



Leveler

[4]



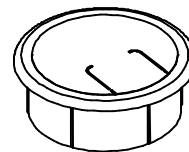
Cover Cap

[10]



5mm Hole Plug

[4]



Grommet

[1]

Have an assembly question or need a replacement part? Just call
1-800-950-4782, we are here to help.

WC12961, WC24461, WC36761,
WC60361, WC72461, SCD360WH
SCD360PG, SCD360SG, SCD360CS
SCD360AC, SCD360SO, SCD360HC,
SCD360BW, SCD360MH

Go to Step 2.
Proceda al paso 2.
Allez à l'étape 2.

WC12961, WC24461, WC36761,
WC60361, WC72461, SCD360WH
SCD360PG, SCD360SG, SCD360CS
SCD360AC, SCD360SO, SCD360HC,
SCD360BW, SCD360MH

WC12961, WC24461, WC36761,
WC60361, WC72461, SCD360WH
SCD360PG, SCD360SG, SCD360CS
SCD360AC, SCD360SO, SCD360HC,
SCD360BW, SCD360MH

Go to Step 7.
Proceda al paso 7.
Allez à l'étape 7.

WC12961, WC24461, WC36761,
WC60361, WC72461, SCD360WH
SCD360PG, SCD360SG, SCD360CS
SCD360AC, SCD360SO, SCD360HC,
SCD360BW, SCD360MH

WC12961, WC24461, WC36761,
WC60361, WC72461, SCD360WH
SCD360PG, SCD360SG, SCD360CS
SCD360AC, SCD360SO, SCD360HC,
SCD360BW, SCD360MH

Go to Step 13.
Proceda al paso 13.
Allez à l'étape 13.

STEP 2

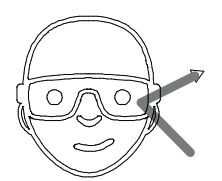
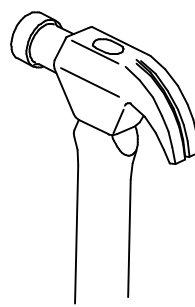
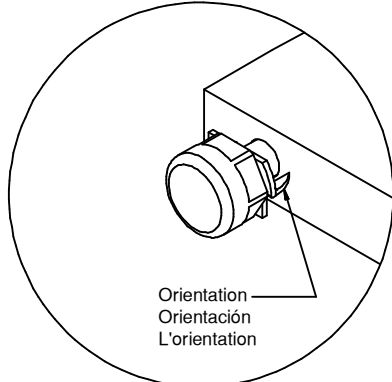
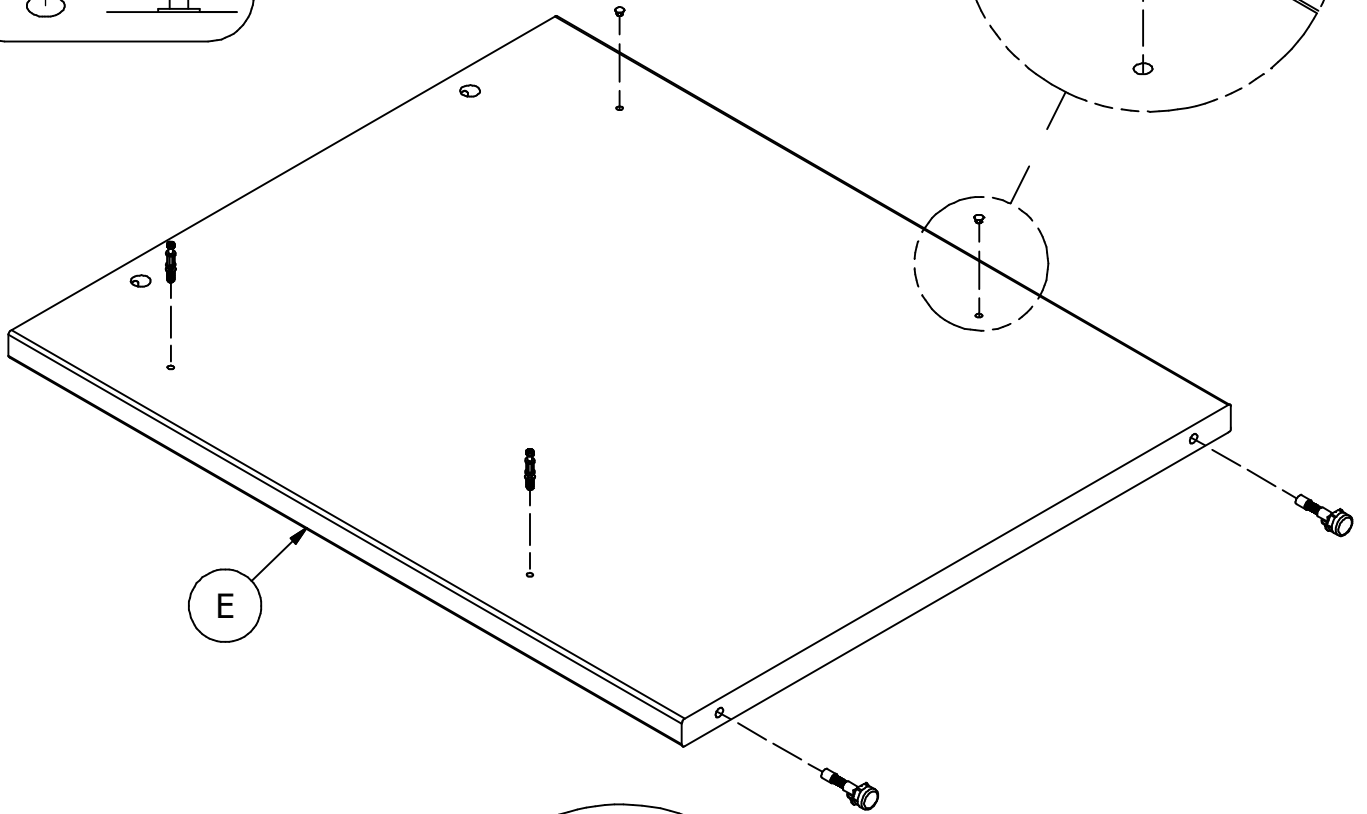
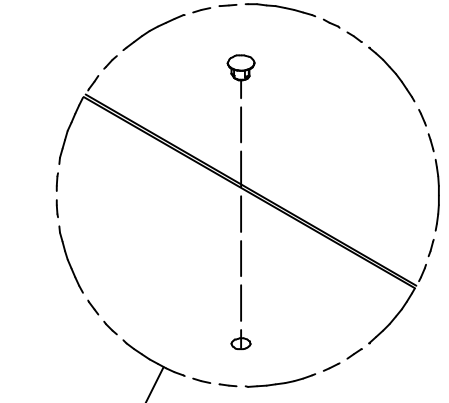
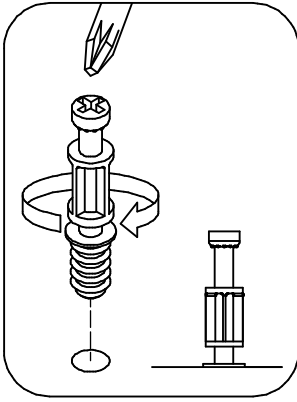
Prepare Panel

A177026H

H72988 [2]
KD Bolt

H184043 [2]
Leveler

[2]
5mm Hole Plug



Safety glasses
Gafas de seguridad
Lunettes de protection

Have an assembly question or need a replacement part? Just call **1-800-950-4782**, we are here to help.

STEP 3

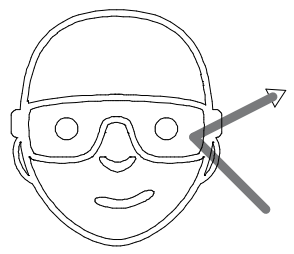
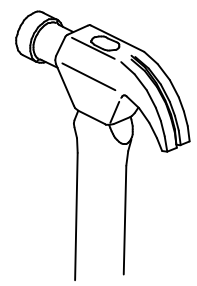
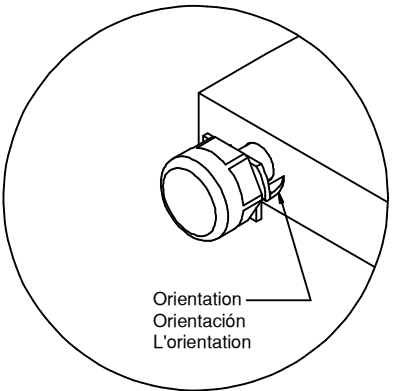
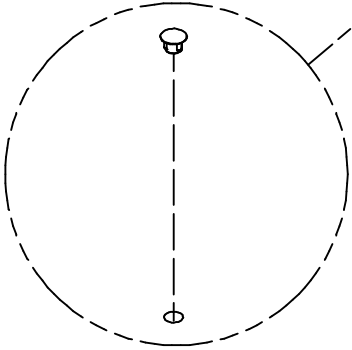
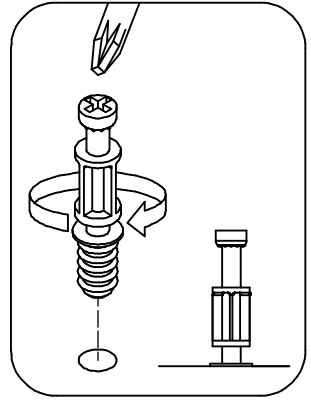
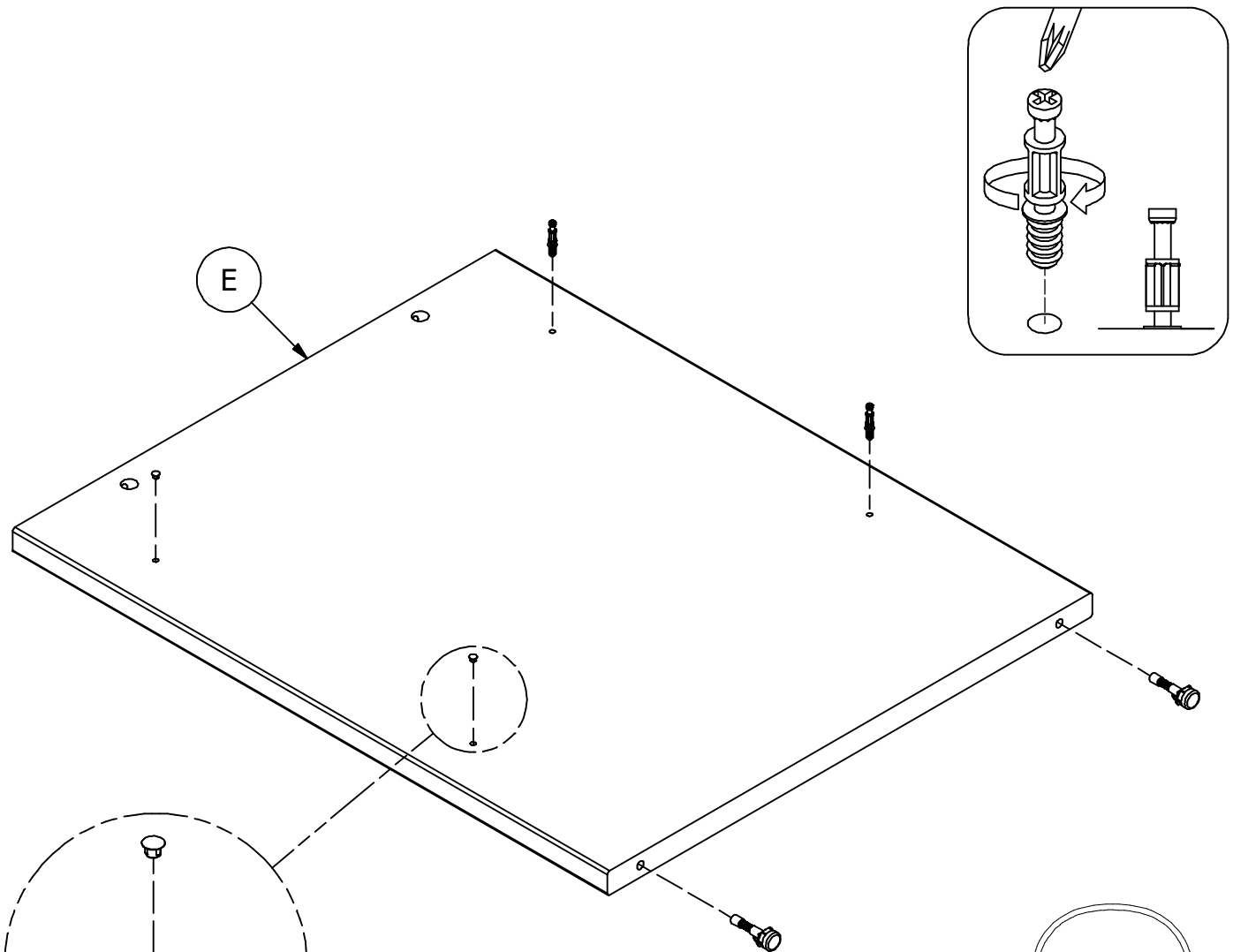
Prepare Panel

A177026H

H72988 [2]
KD Bolt

H184043 [2]
Leveler

[2]
5mm Hole Plug



Safety glasses
Gafas de seguridad
Lunettes de protection

Have an assembly question or need a replacement part? Just call **1-800-950-4782**, we are here to help.

STEP 4

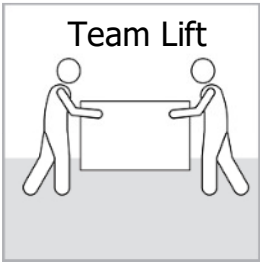
Assemble Panels

A177026H

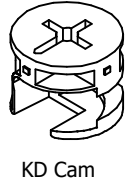
Scan QR Code to Watch Video on:



How to Tighten KD Cams

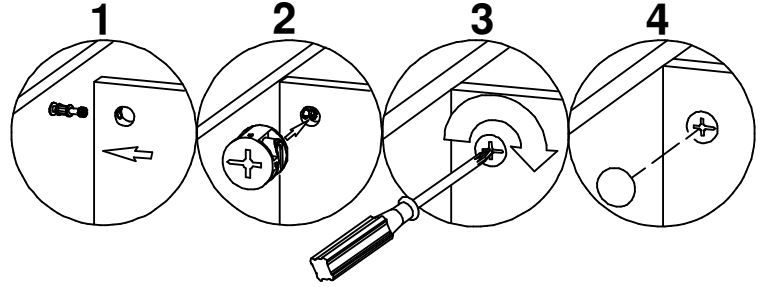


H71659



[4]

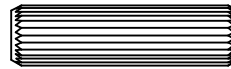
KD Cam



[4]

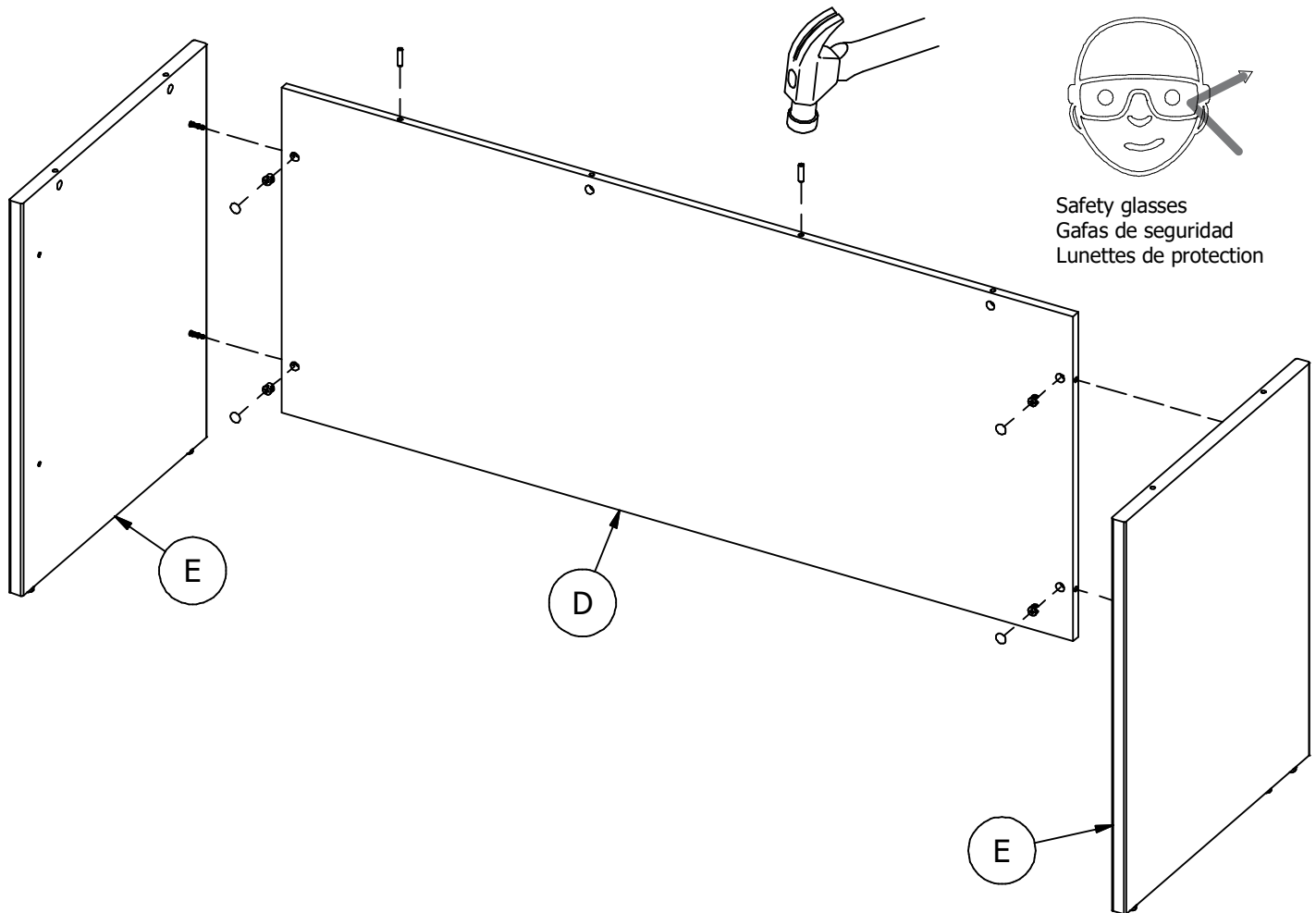
Cover Cap

H38169



[2]

Wood Dowel 8 x 30



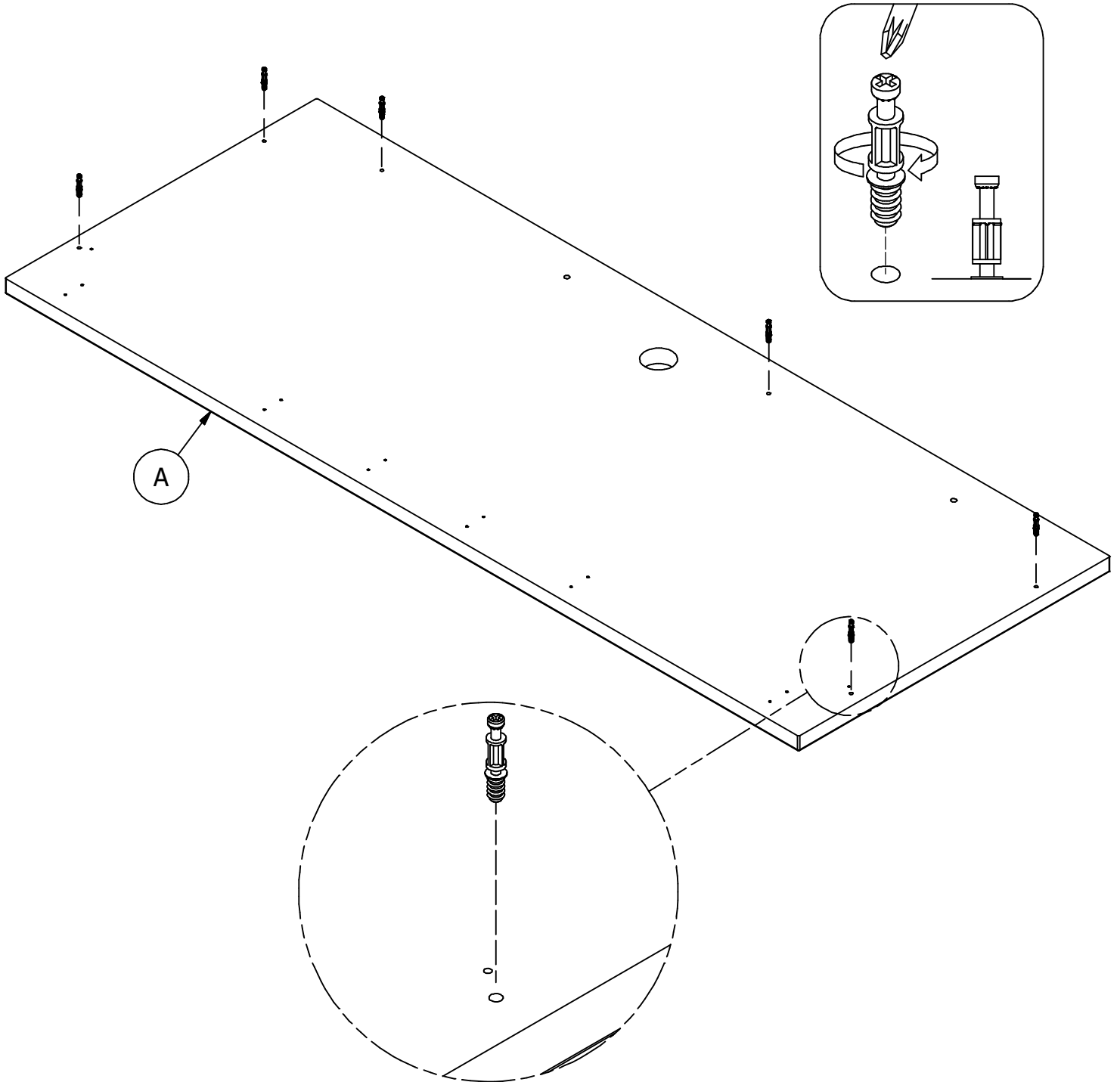
Have an assembly question or need a replacement part? Just call **1-800-950-4782**, we are here to help.

STEP 5

Prepare Panel

A177026H

H72988 [6]
KD Bolt



Have an assembly question or need a replacement part? Just call
1-800-950-4782, we are here to help.

STEP 6

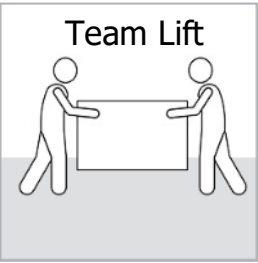
Assemble Panel

A177026H

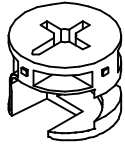
Scan QR Code to Watch Video on:



How to Tighten KD Cams

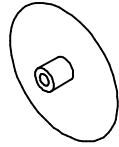


H71659



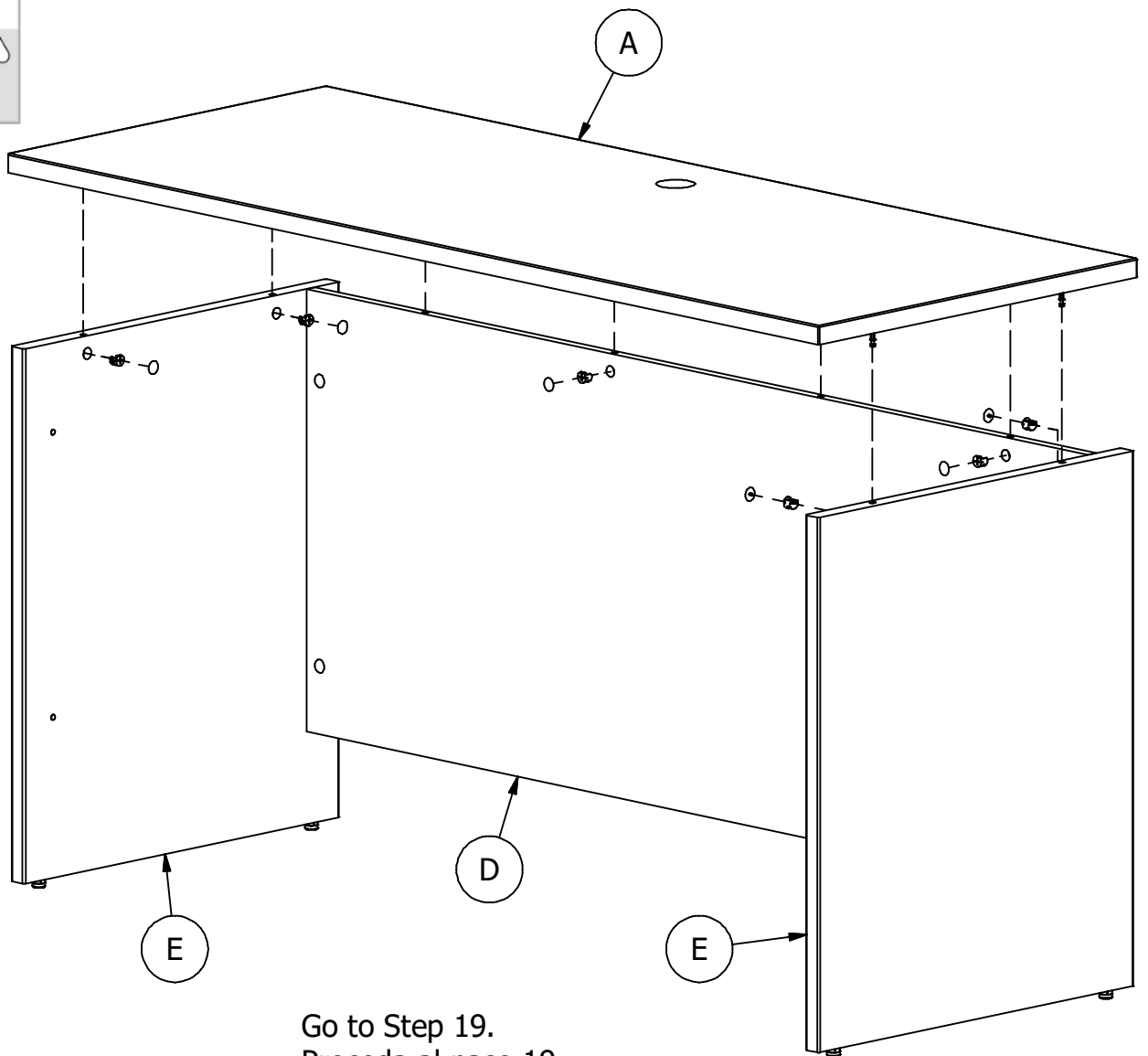
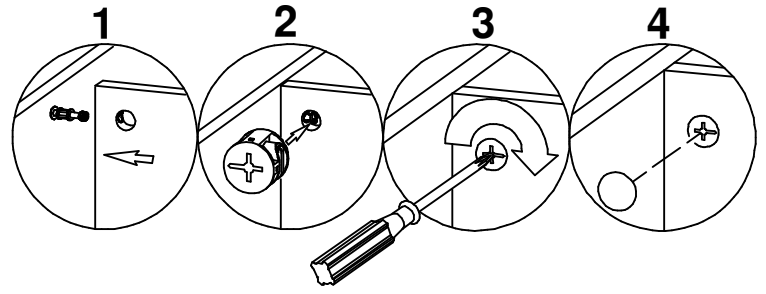
KD Cam

[6]



Cover Cap

[6]



Go to Step 19.
Proceda al paso 19.
Allez à l'étape 19.

Have an assembly question or need a replacement part? Just call **1-800-950-4782**, we are here to help.

STEP 7

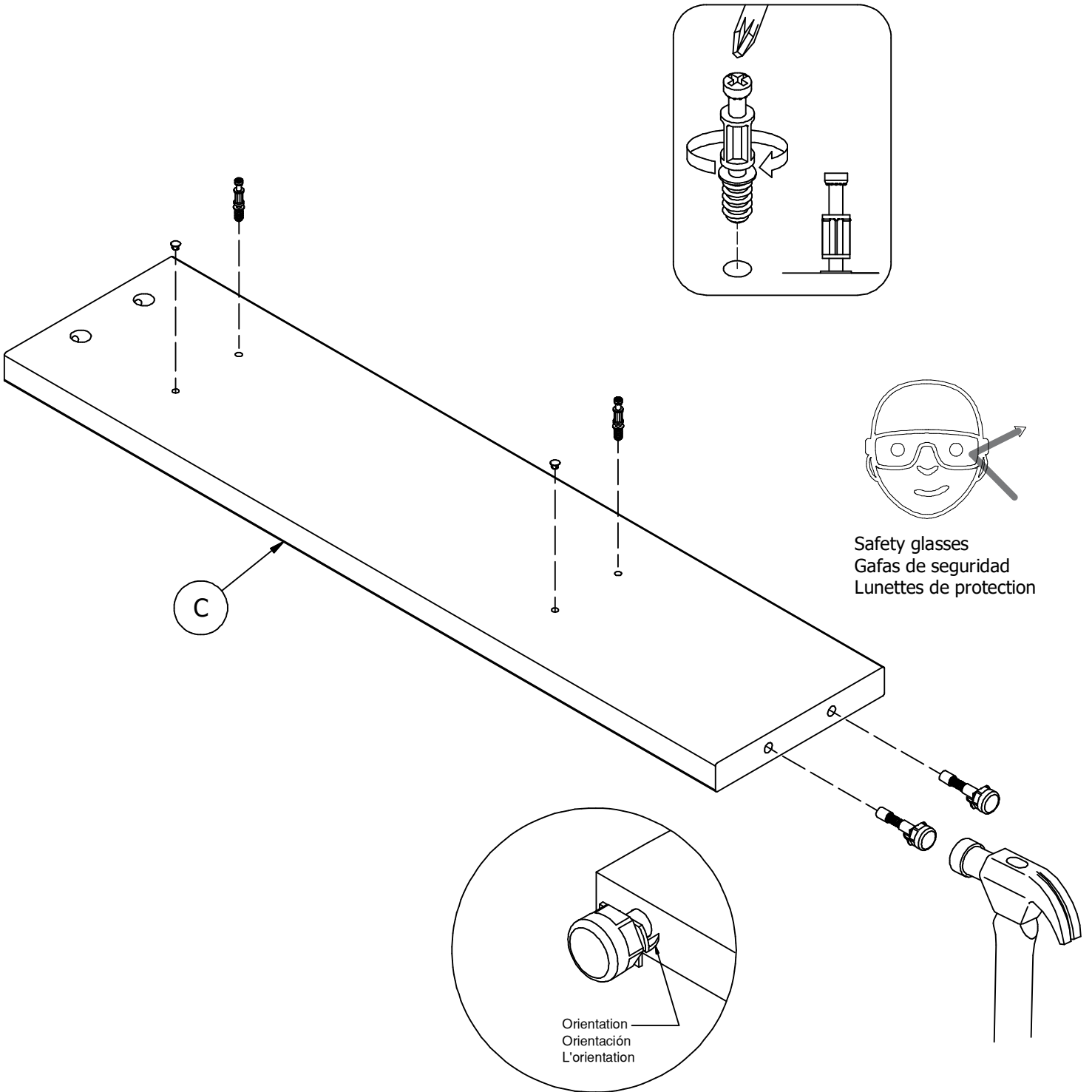
Prepare Panel

A177026H

H72988 [2]
KD Bolt

[2]
5mm Hole Plug

H184043 [2]
Leveler



Have an assembly question or need a replacement part? Just call **1-800-950-4782**, we are here to help.

STEP 8

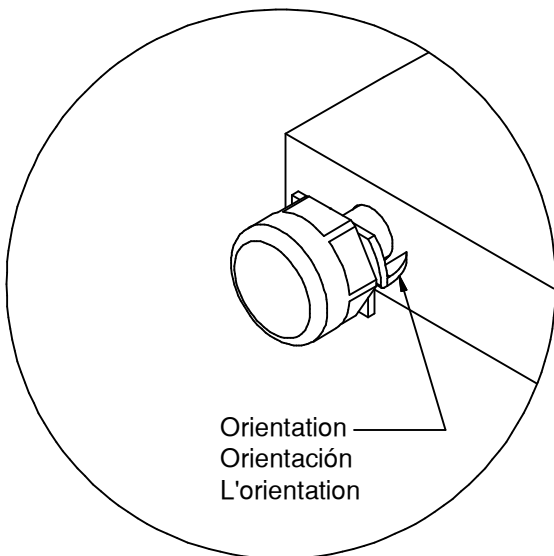
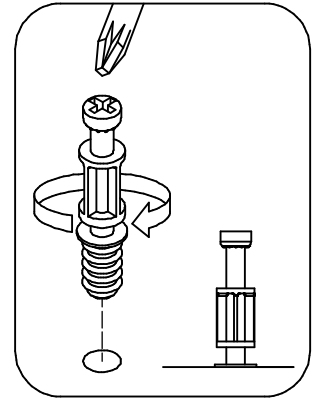
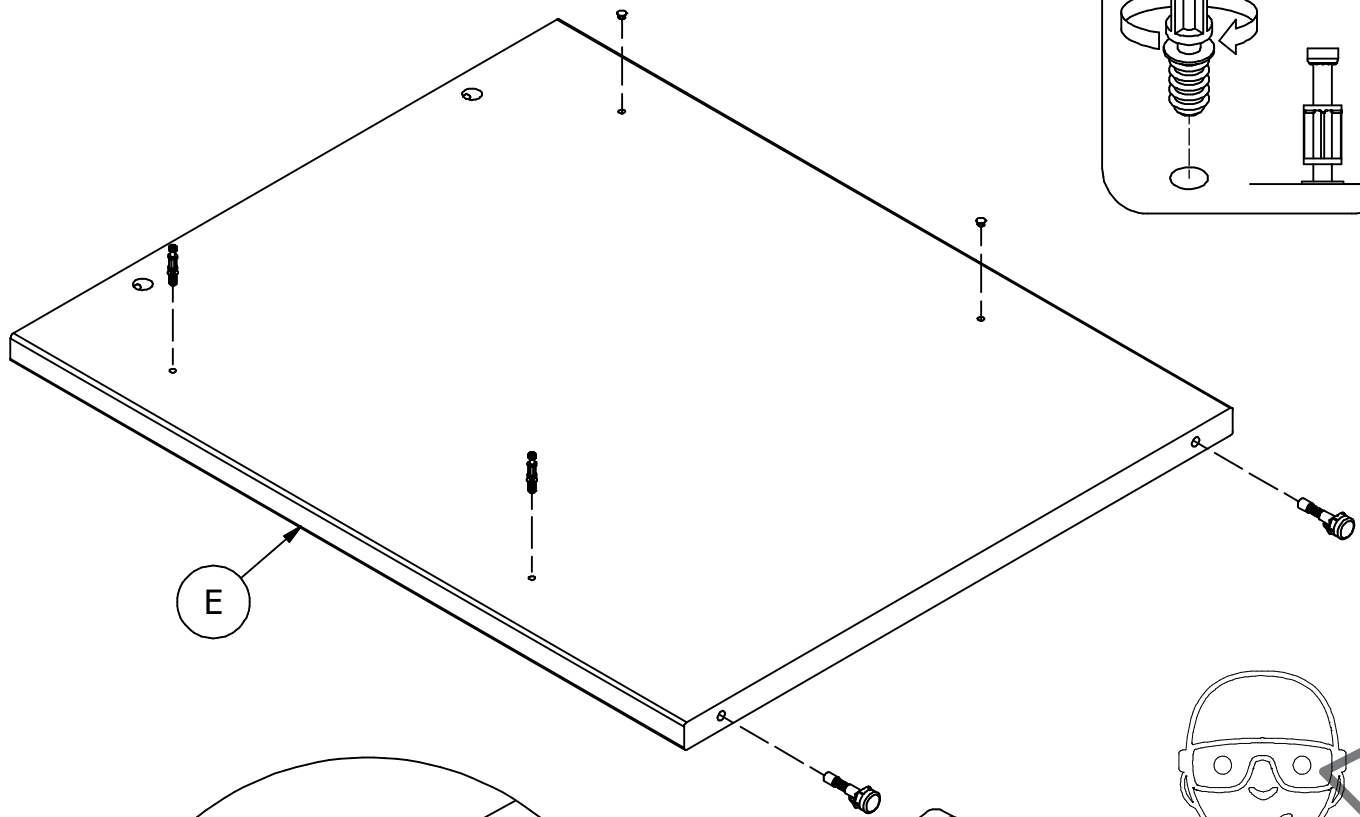
Prepare Panel

A177026H

H72988 [2]
KD Bolt

[2]
5mm Hole Plug

H184043 [2]
Leveler




Safety glasses
Gafas de seguridad
Lunettes de protection

Have an assembly question or need a replacement part? Just call
1-800-950-4782, we are here to help.

STEP 9

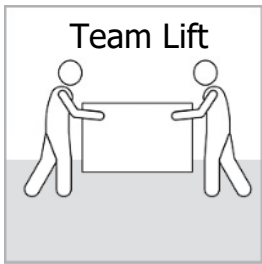
Assemble Panels

A177026H

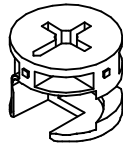
Scan QR Code to Watch Video on:



How to Tighten KD Cams



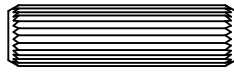
H71659



[4]

KD Cam

H38169



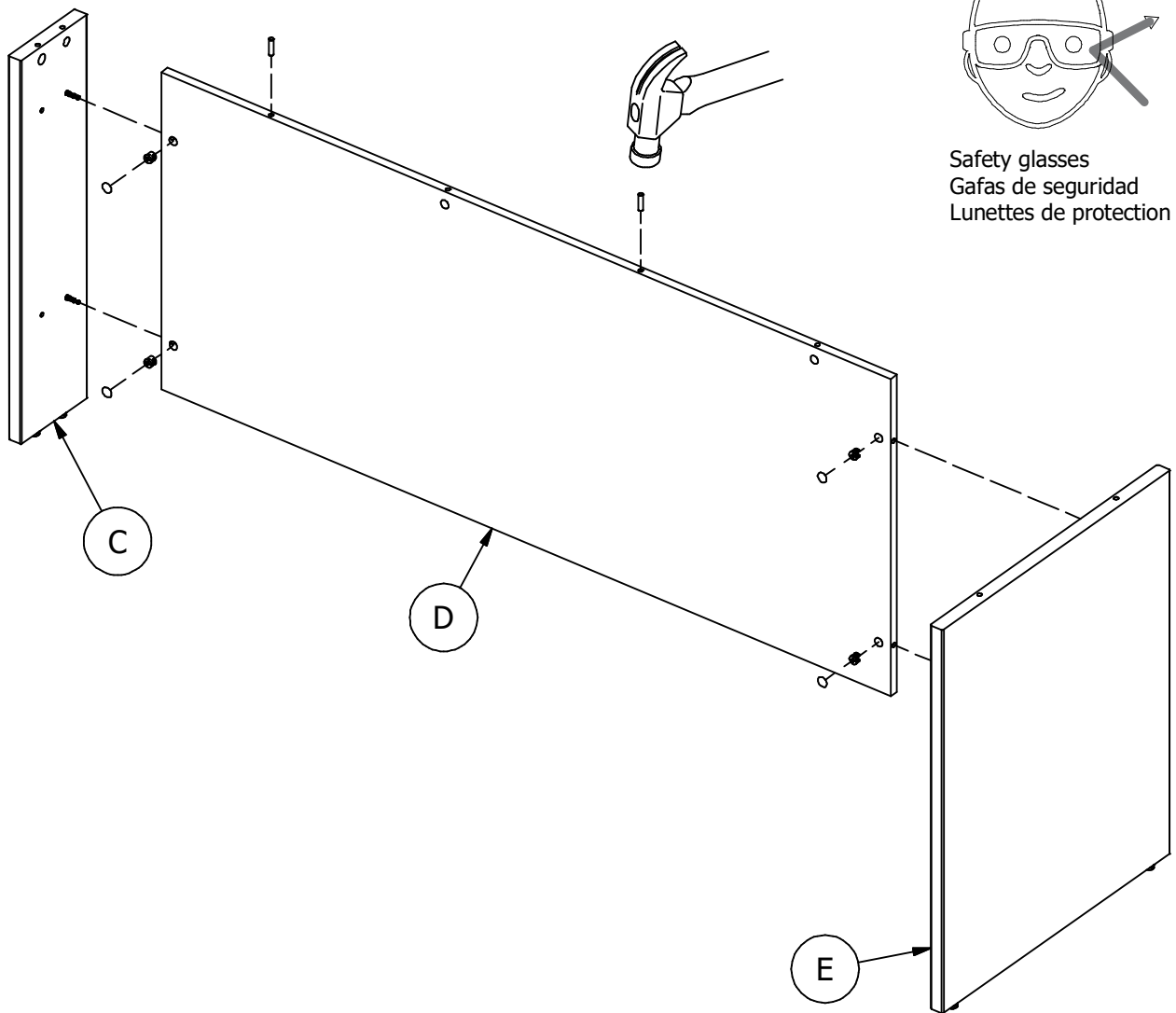
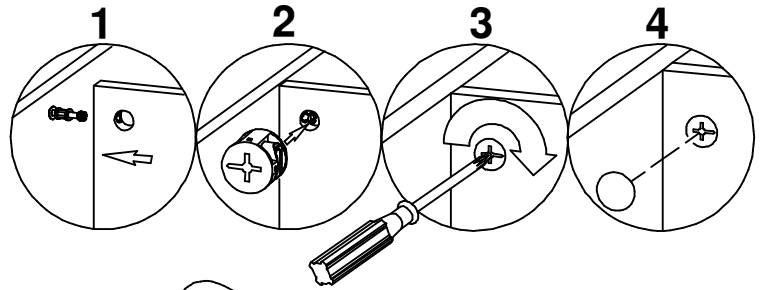
[2]

Wood Dowel 8 x 30



[4]

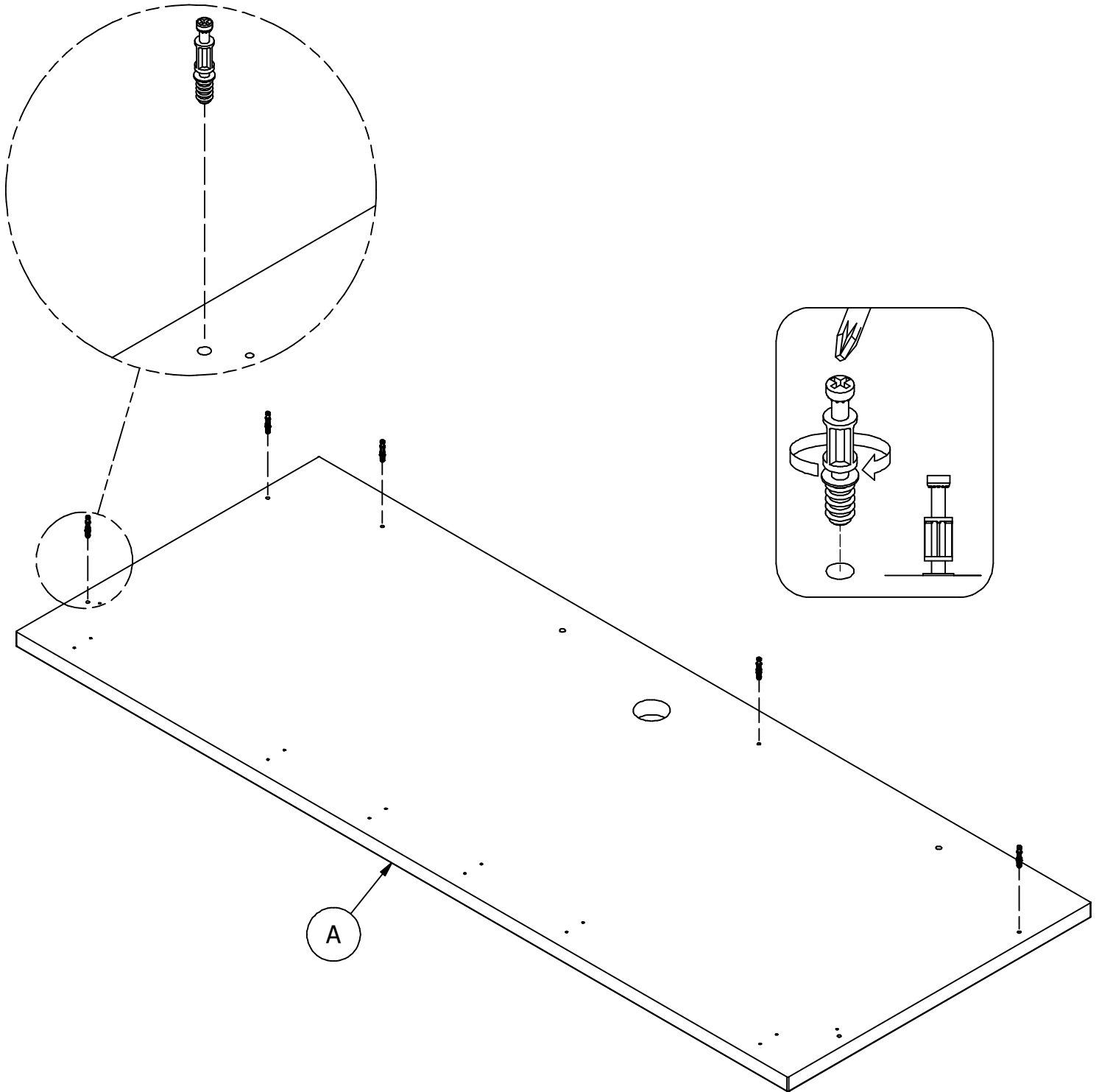
Cover Cap



Safety glasses
Gafas de seguridad
Lunettes de protection

Have an assembly question or need a replacement part? Just call **1-800-950-4782**, we are here to help.

H72988 [5]
KD Bolt



Have an assembly question or need a replacement part? Just call
1-800-950-4782, we are here to help.

STEP 11

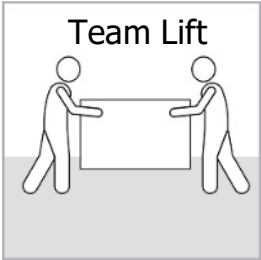
Assemble Panel

A177026H

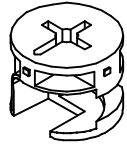
Scan QR Code to Watch Video on:



How to Tighten KD Cams

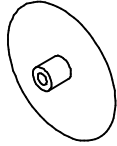


H71659



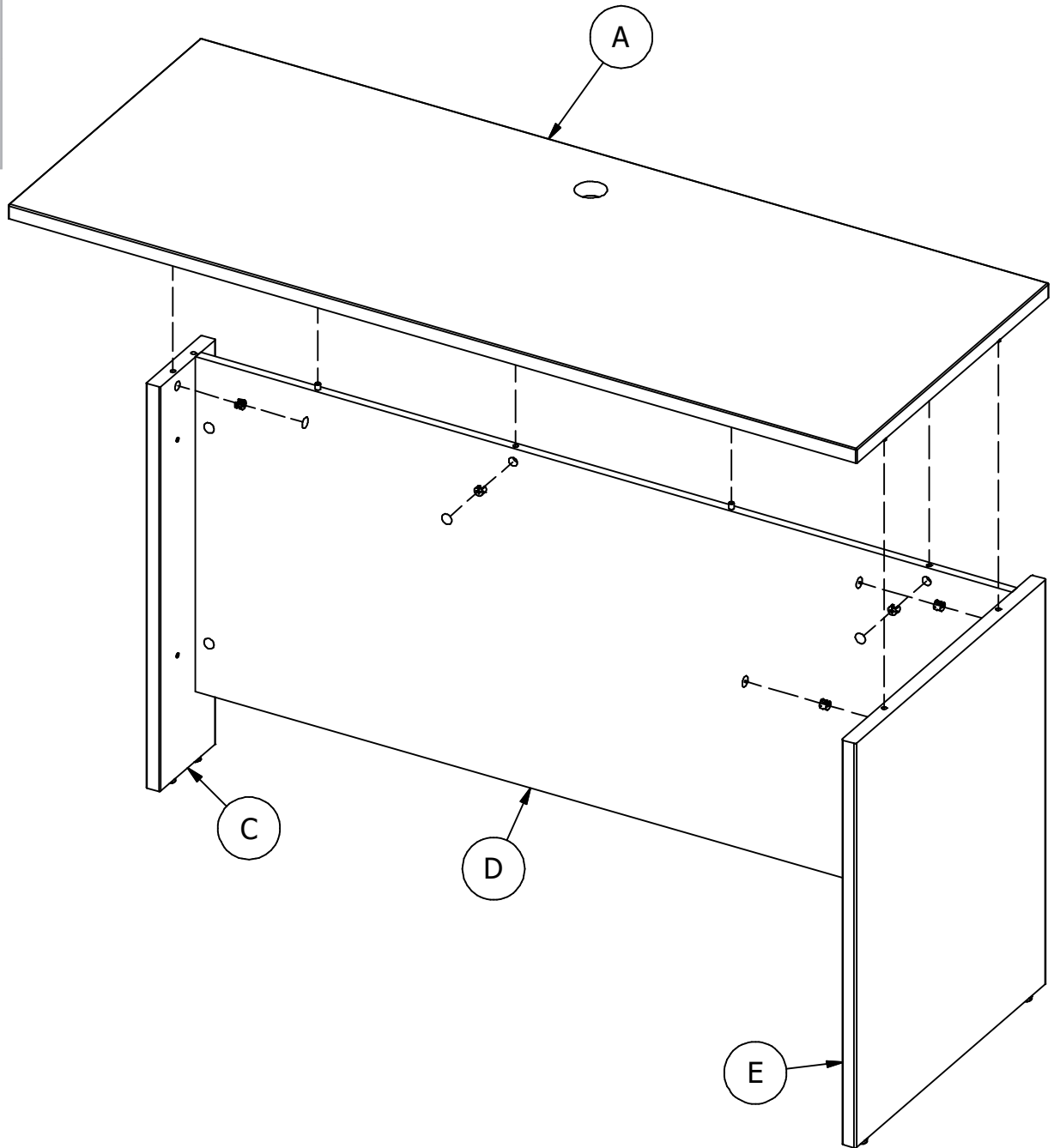
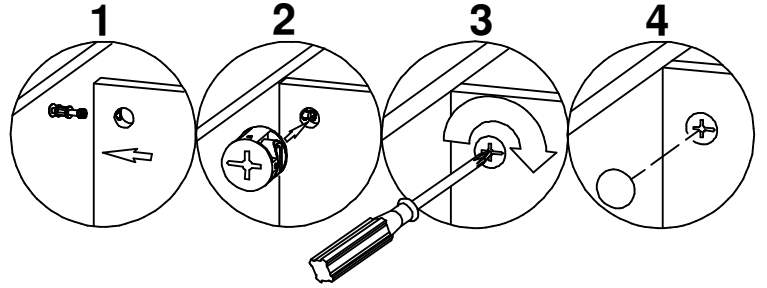
KD Cam

[5]

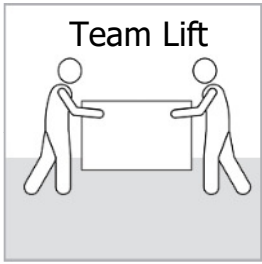


Cover Cap

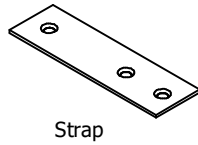
[5]



Have an assembly question or need a replacement part? Just call **1-800-950-4782**, we are here to help.

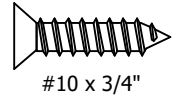


H92809



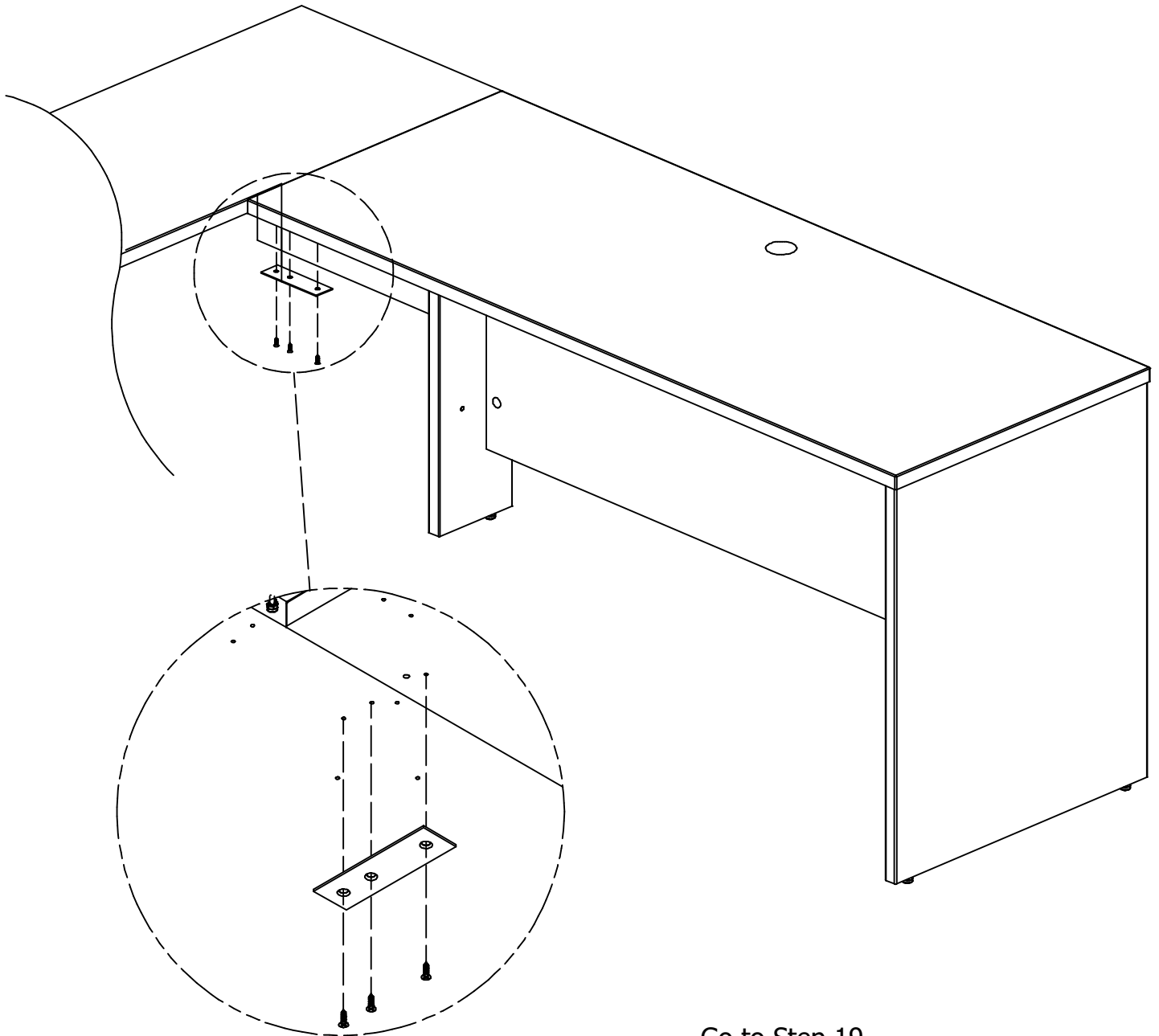
[1]

H92810



[3]

#10 x 3/4"



Go to Step 19.
Proceda al paso 19.
Allez à l'étape 19.

STEP 13

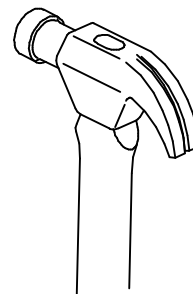
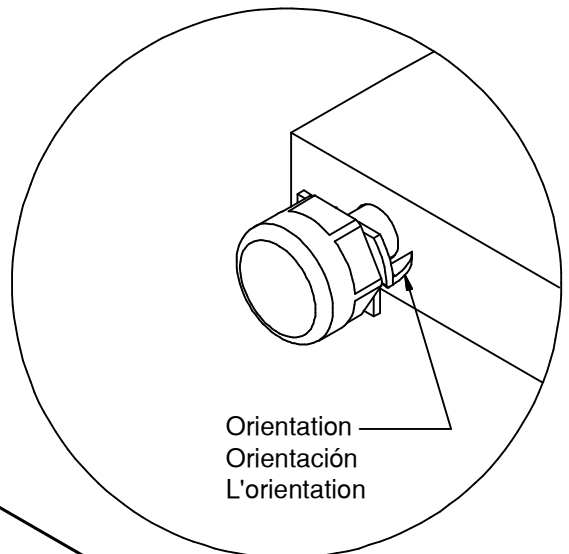
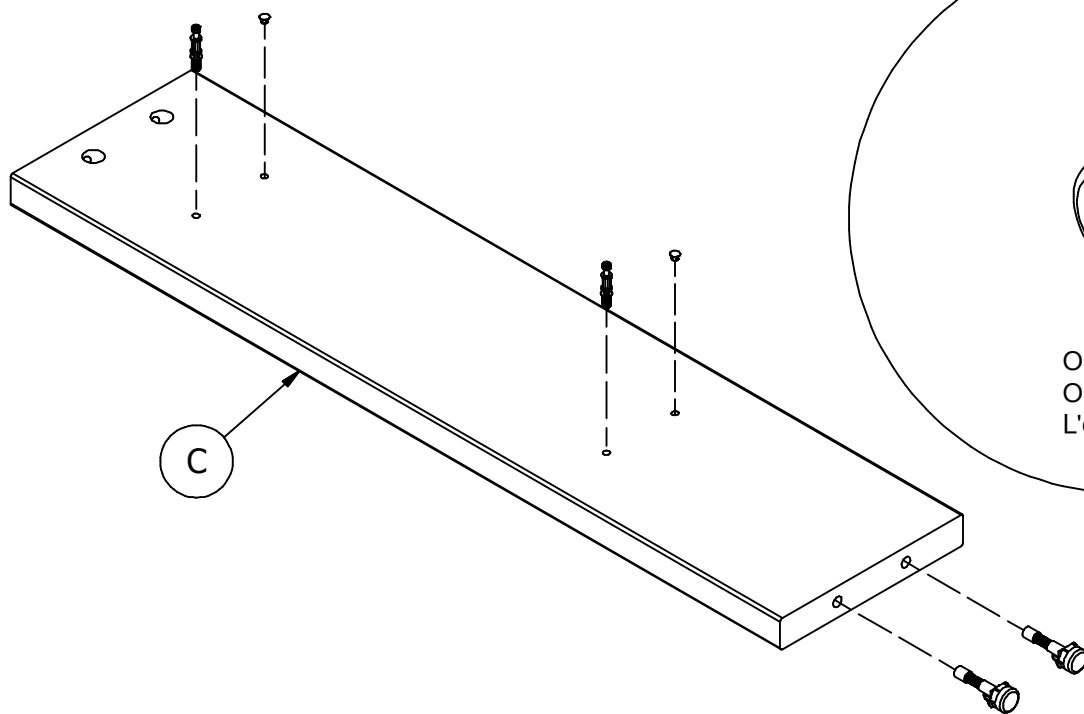
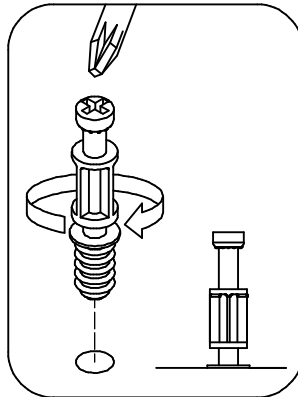
Prepare Panel

A177026H

H72988 [2]
KD Bolt

[2]
5mm Hole Plug

H184043 [2]
Leveler



Have an assembly question or need a replacement part? Just call
1-800-950-4782, we are here to help.

STEP 14

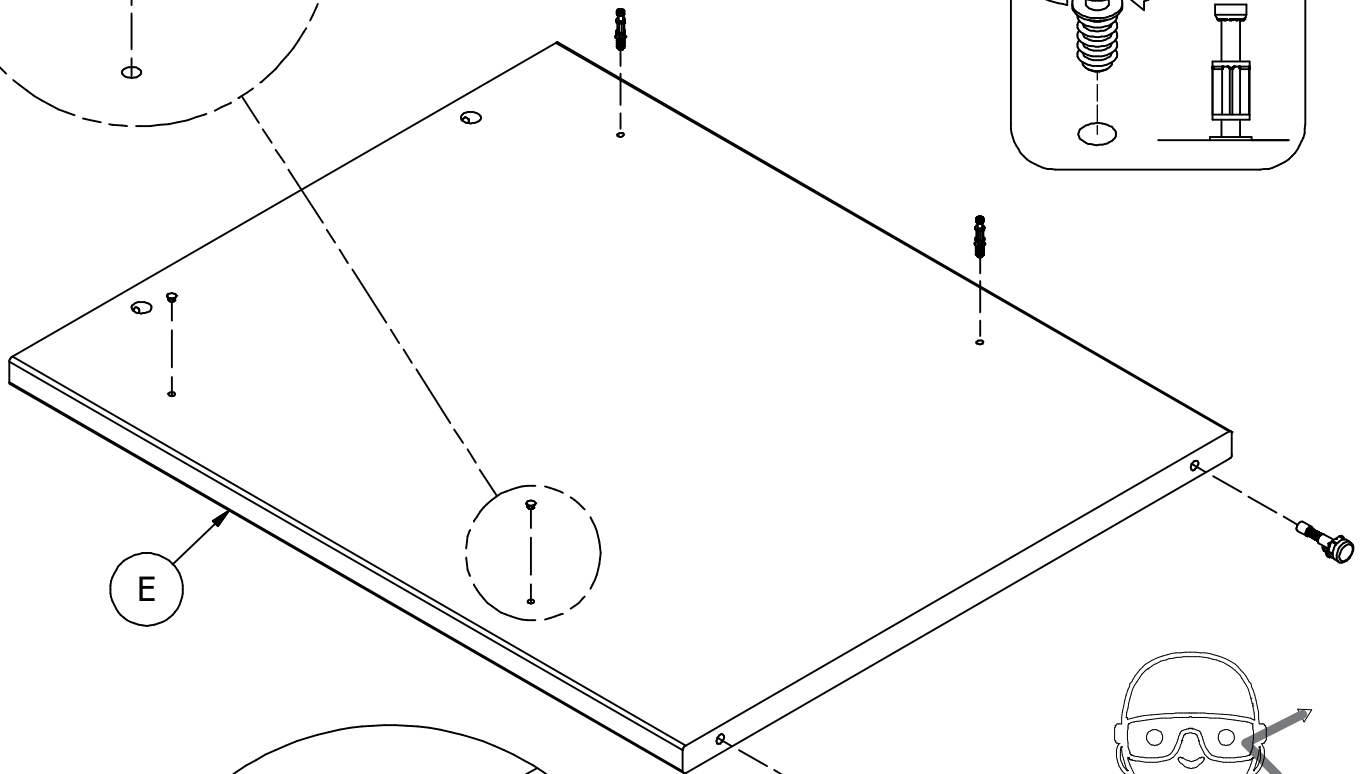
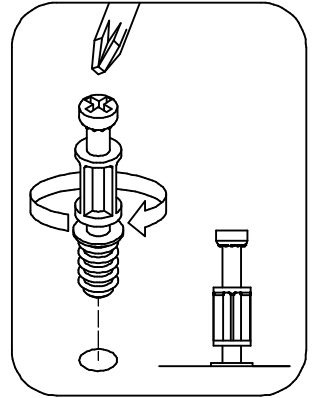
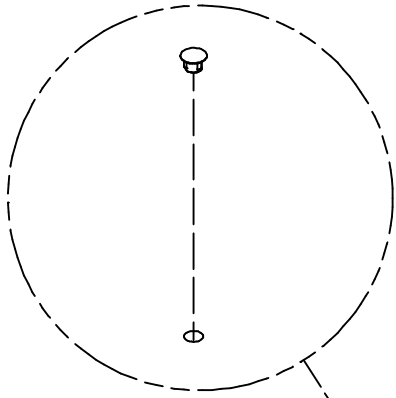
Prepare Panel

A177026H

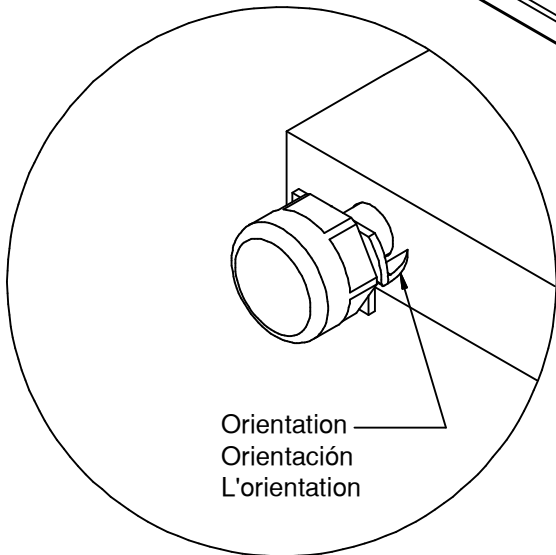
H72988 [2]
KD Bolt

[2]
5mm Hole Plug

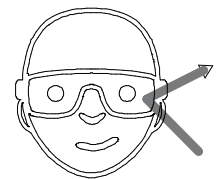
H184043 [2]
Leveler



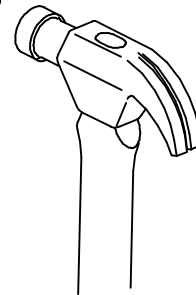
E



Orientation
Orientación
L'orientation



Safety glasses
Gafas de seguridad
Lunettes de protection

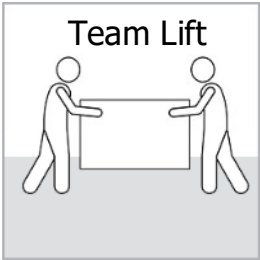


Have an assembly question or need a replacement part? Just call
1-800-950-4782, we are here to help.

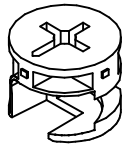
Scan QR Code to Watch Video on:



How to Tighten KD Cams

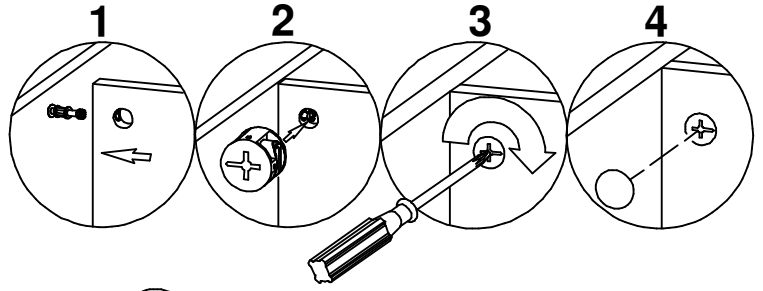


H71659

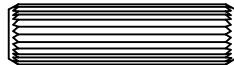


[4]

KD Cam



H38169



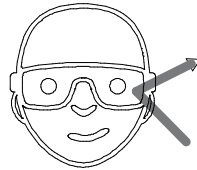
[2]

Wood Dowel 8 x 30

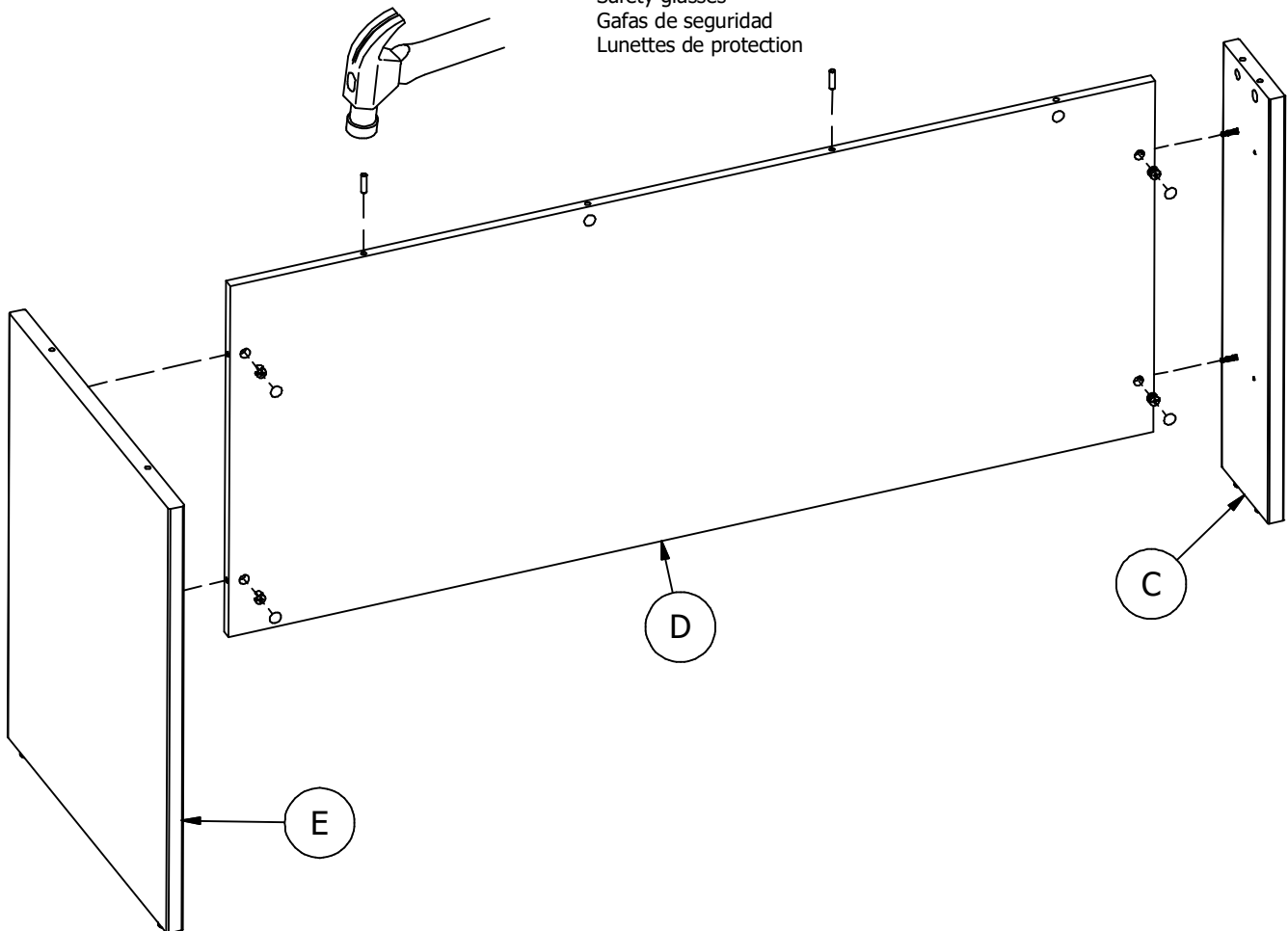


[4]

Cover Cap

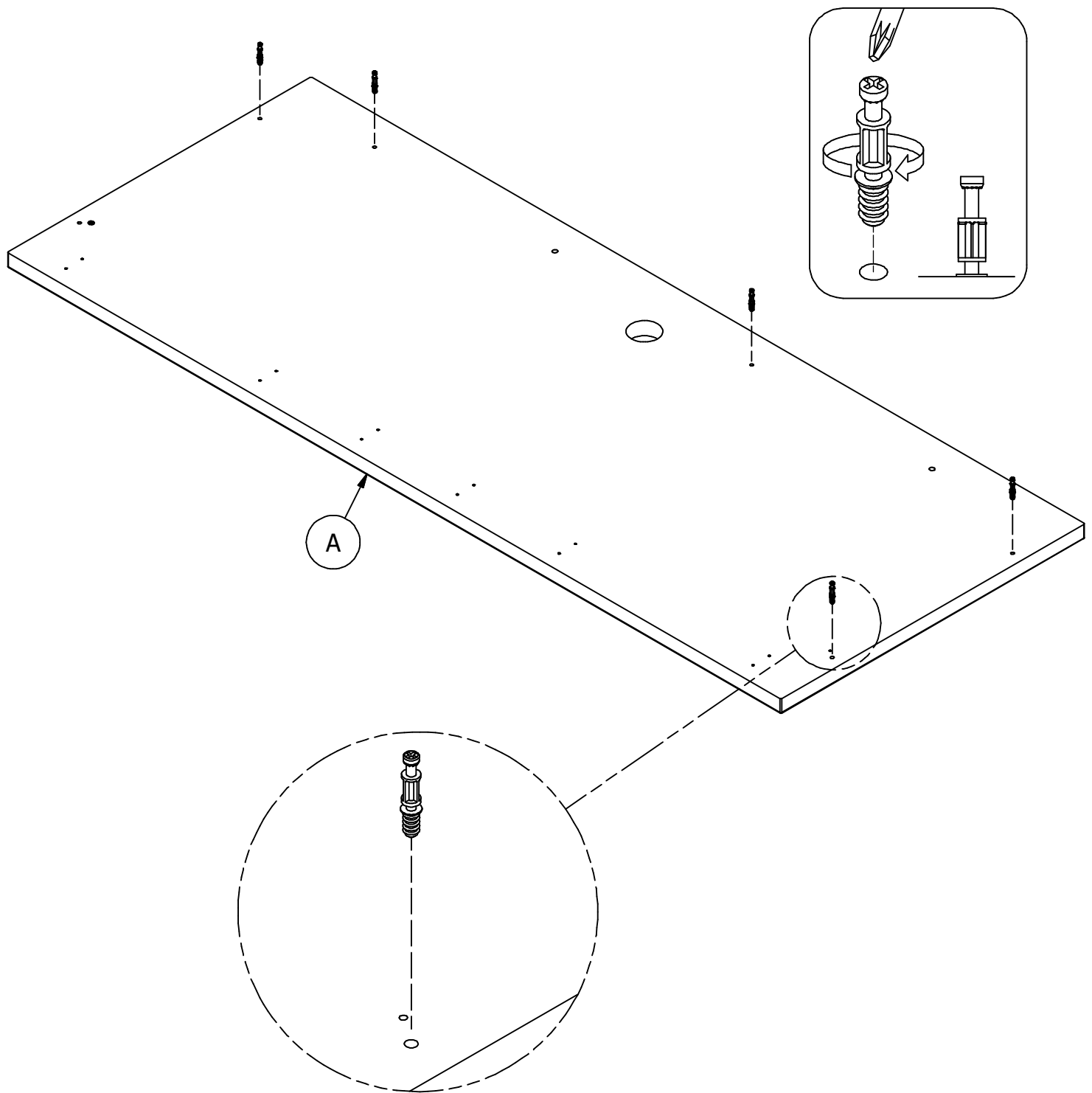


Safety glasses
Gafas de seguridad
Lunettes de protection



Have an assembly question or need a replacement part? Just call **1-800-950-4782**, we are here to help.

H72988 [5]
KD Bolt

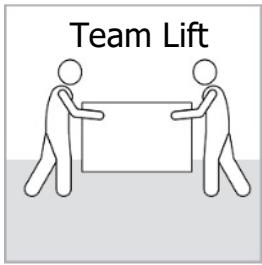


Have an assembly question or need a replacement part? Just call
1-800-950-4782, we are here to help.

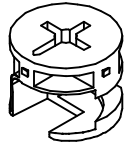
Scan QR Code to Watch Video on:



How to Tighten KD Cams

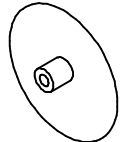


H71659



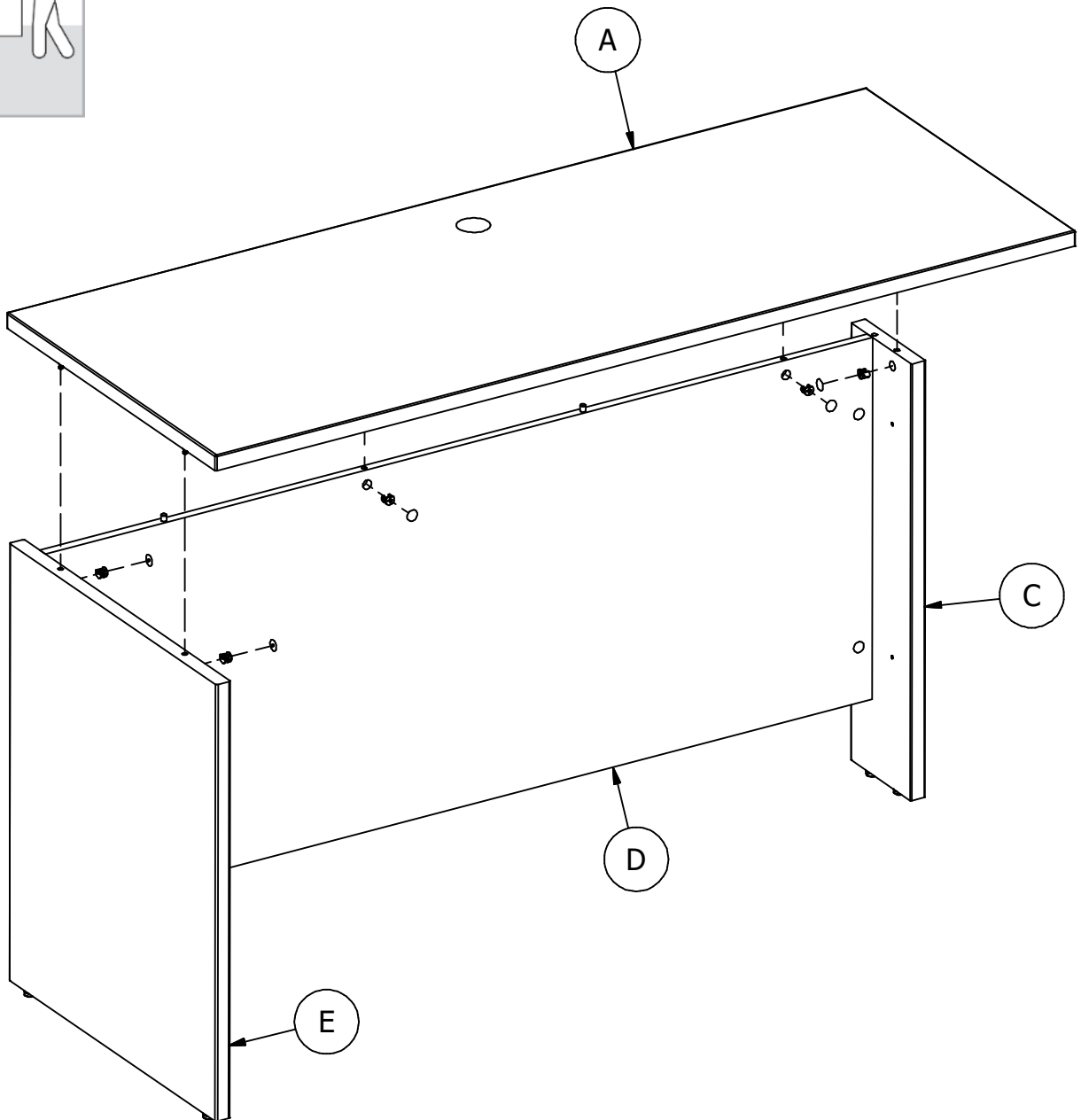
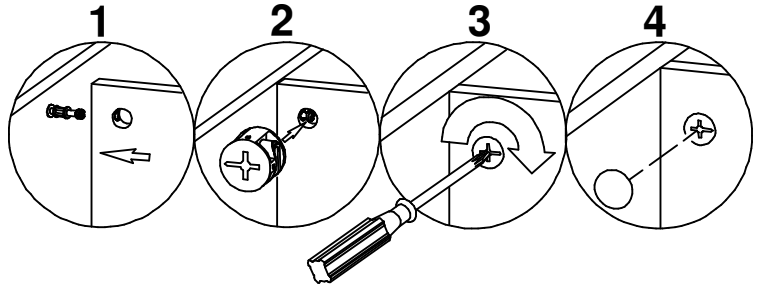
KD Cam

[5]



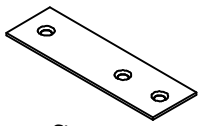
Cover Cap

[5]



Have an assembly question or need a replacement part? Just call **1-800-950-4782**, we are here to help.

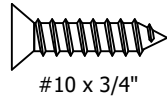
H92809



Strap

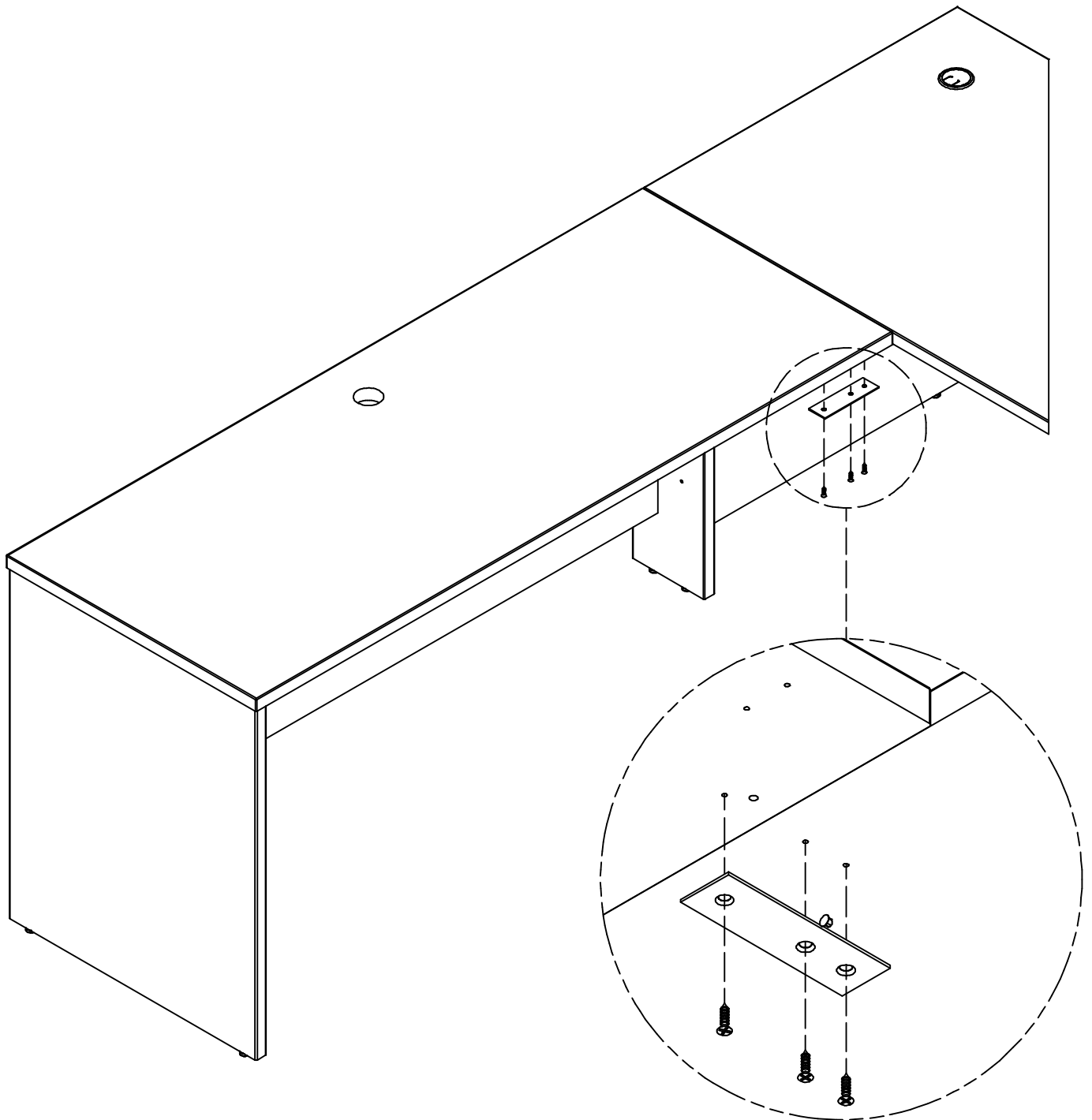
[1]

H92810



#10 x 3/4"

[3]



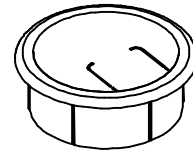
Have an assembly question or need a replacement part? Just call
1-800-950-4782, we are here to help.

Scan QR Code to Watch Video on:



How to Clean the Surface

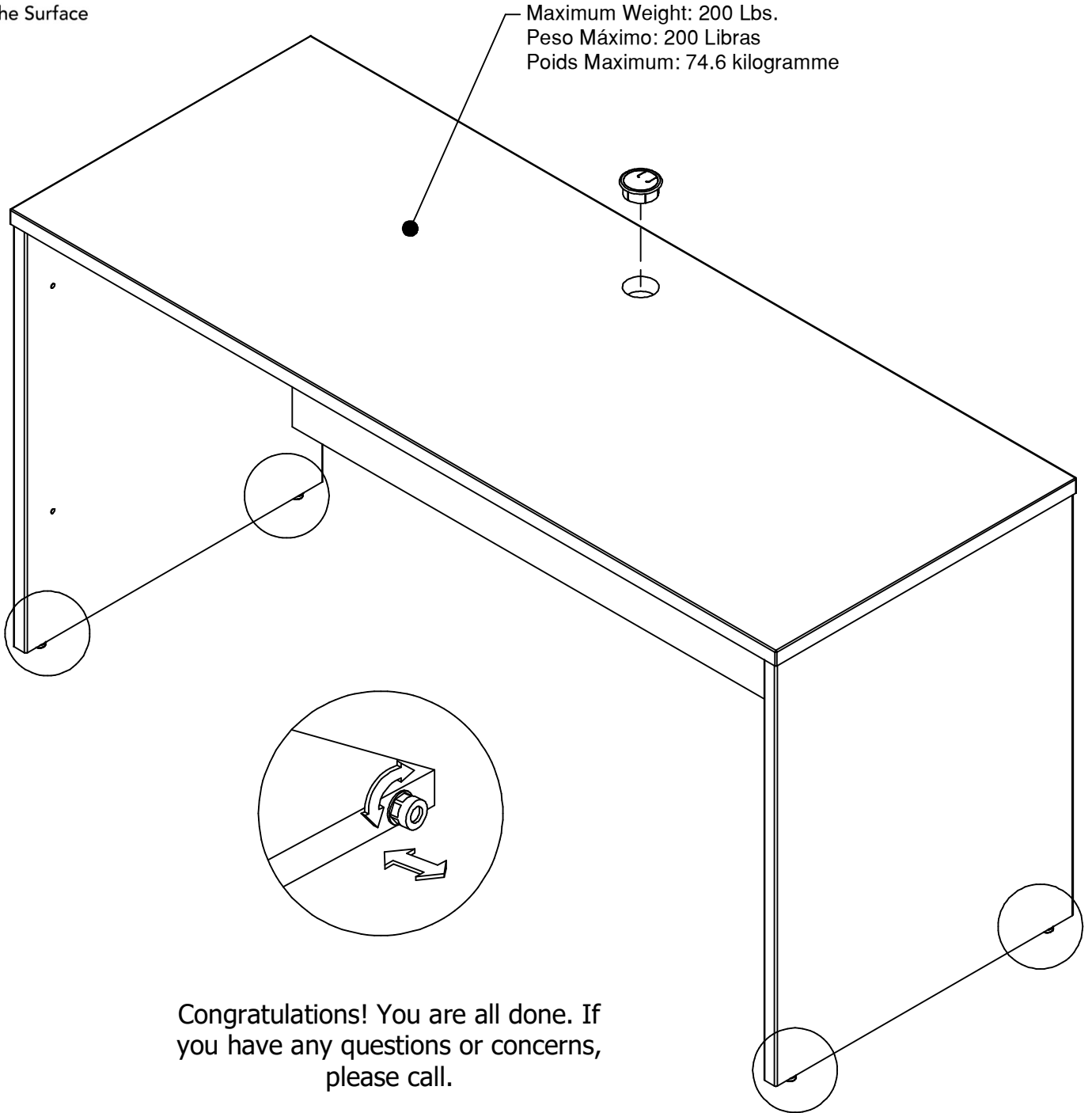
Gently clean surfaces with a damp sponge eraser.



Grommet

[1]

Maximum Weight: 200 Lbs.
Peso Máximo: 200 Libras
Poids Maximum: 74.6 kilogramme

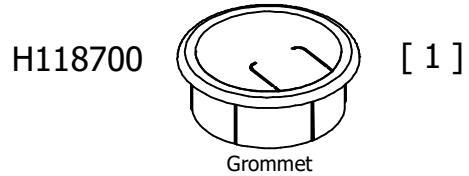
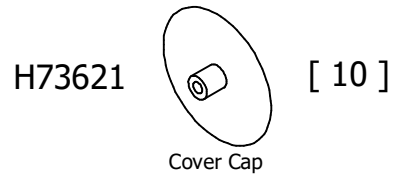


Congratulations! You are all done. If you have any questions or concerns, please call.

Have an assembly question or need a replacement part? Just call **1-800-950-4782**, we are here to help.

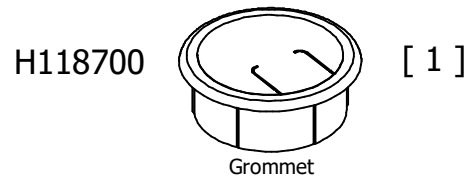
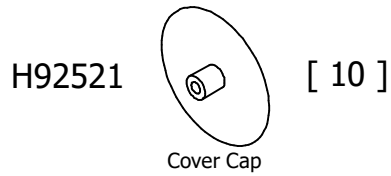
WC12961

- A [1] W206244
- C [1] W186421
- D [1] W177028
- E [2] W206269



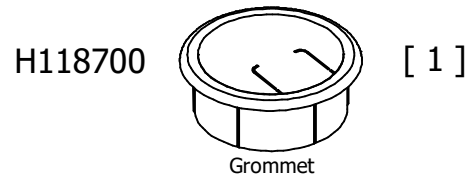
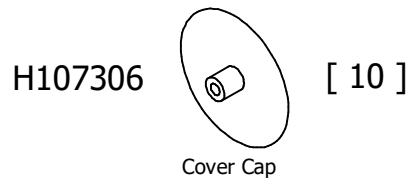
WC24461

- A [1] W206239
- C [1] W186424
- D [1] W177030
- E [2] W206264



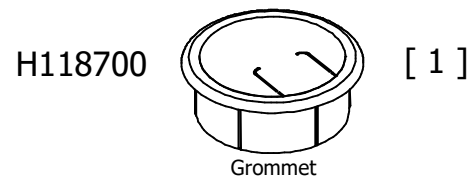
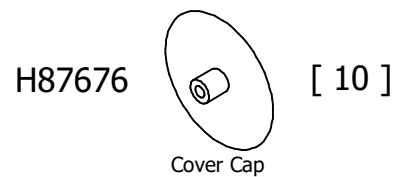
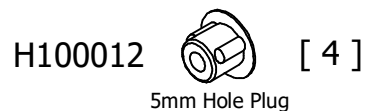
WC36761

- A [1] W206245
- C [1] W186423
- D [1] W177032
- E [2] W206270



WC60361

- A [1] W206246
- C [1] W186425
- D [1] W177035
- E [2] W206271

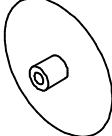


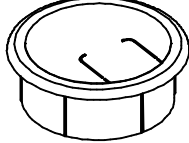
Have an assembly question or need a replacement part? Just call
1-800-950-4782, we are here to help.

WC72461

- A [1] W206247
- C [1] W186424
- D [1] W177030
- E [2] W206264

H92523  [4]
5mm Hole Plug


H92521  [10]
Cover Cap

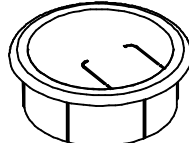
H118700  [1]
Grommet

SCD360WH

- A [1] W206243
- C [1] W191879
- D [1] W191870
- E [2] W206268

H184428  [4]
5mm Hole Plug


H73619  [10]
Cover Cap

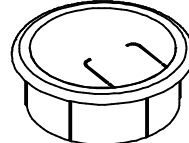
H184440  [1]
Grommet

SCD360PG

- A [1] W206240
- C [1] W191647
- D [1] W191636
- E [2] W206265

H112099  [4]
5mm Hole Plug

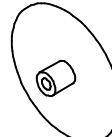
H83021  [10]
Cover Cap

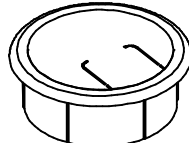
H151407  [1]
Grommet

SCD360SG

- A [1] W206241
- C [1] W189353
- D [1] W189319
- E [2] W206266

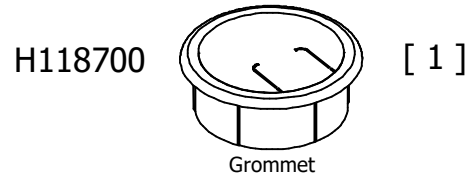
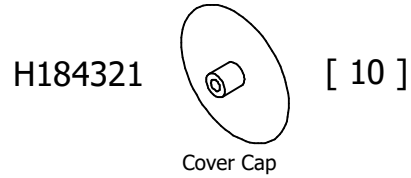
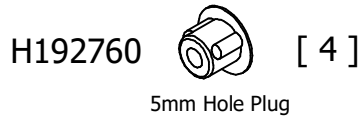
H92523  [4]
5mm Hole Plug

H92521  [10]
Cover Cap

H184440  [1]
Grommet

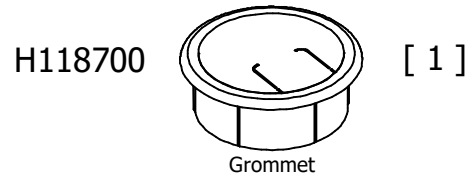
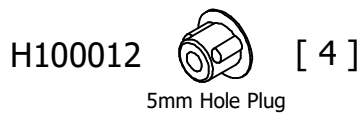
SCD360CS

- A [1] W206238
- C [1] W189702
- D [1] W189695
- E [2] W206262



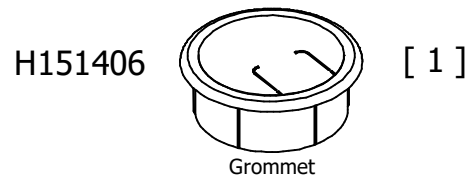
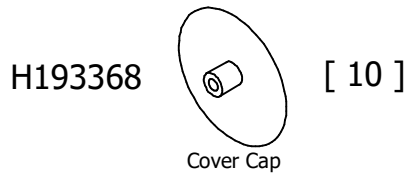
SCD360AC

- A [1] W206237
- C [1] W189747
- D [1] W189740
- E [2] W206261



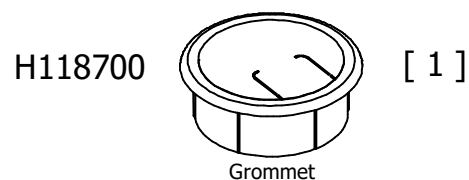
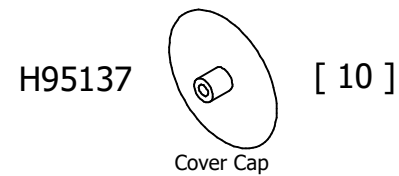
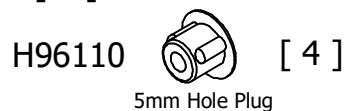
SCD360SO

- A [1] W206242
- C [1] W192824
- D [1] W192817
- E [2] W206267



SCD360HC

- A [1] W206239
- C [1] W186422
- D [1] W176077
- E [2] W206263




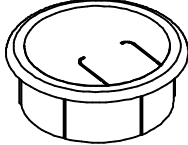
Have an assembly question or need a replacement part? Just call
1-800-950-4782, we are here to help.

SCD360BW

- A [1] W205510
- C [1] W205501
- D [1] W205511
- E [2] W205500

H63904  [4]
5mm Hole Plug

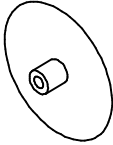
H191633  [10]
Cover Cap

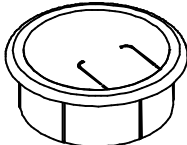
H118700  [1]
Grommet

SCD360MH

- A [1] W205512
- C [1] W205505
- D [1] W205513
- E [2] W205504

H112099  [4]
5mm Hole Plug

H83021  [10]
Cover Cap

H151406  [1]
Grommet