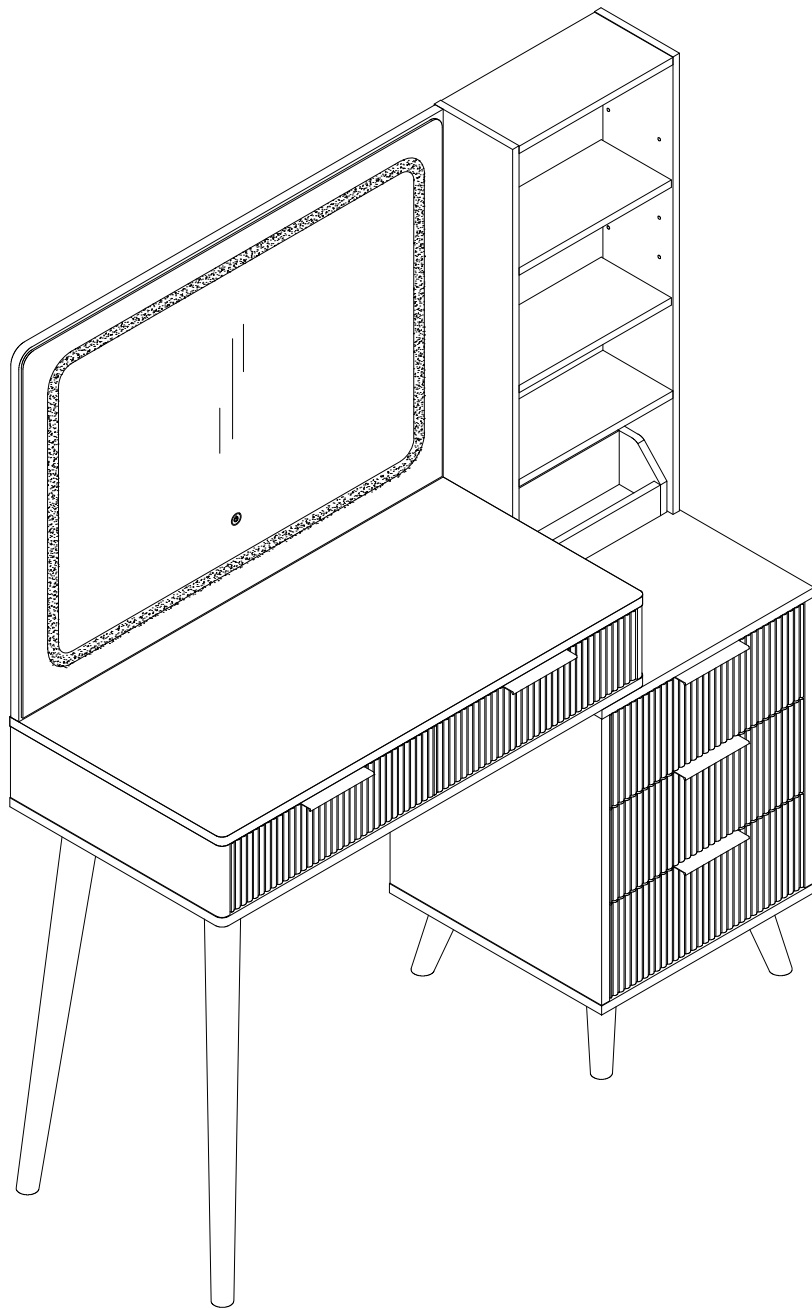


Assembly Instructions

Model: Table-2



General Guidelines

- Please read the following instruction carefully and use the product accordingly.
- Please keep this manual and hand it over when you transfer the product.
- This summary may not include every detail of all variations and considered steps. Please contact us when further information and help are needed.

Notes

- This item is only intended to be used indoors. Personal injury and/or damage to product may occur if products are used outside of their intended purposes and/or if products have been changed/modified from their original design. The product must be assembled and used in accordance with the provisions of the manual. These do not assume any responsibility or liability with respect to any damage caused by incorrect assembly or improper use.
- It is recommended that assembly is undertaken by at least 2 adults. Please read assembly instructions before assembly and strictly adhere to each step outlined.
- If there is/are defective and/or missing part/s after unpacking, please cease assembly immediately and get in contact with us.
- Please assemble the item in a spacious room and do not place the unwrapped product directly on the ground to avoid damage. It is recommended to wear gloves during the assembly to avoid scratches from any sharp edges.
- Please do not stand, sit or place heavy items on the wooden boards or other parts before assembly to avoid cracks or distortion of the wooden board. Cracks or distortion will affect the assembly and normal use.
- Please match the corresponding board and fitting based on the part number in the manual. If the board does not match with the fitting, please check the pieces as specified in this manual.
- Please refer to the diagram during assembly. Align all screws with the related pre-drilled holes first and later tighten the screws one by one only after putting all the parts in their correct places.
- Please note that each type of screw has a spare screw.
- Periodically inspect screw tightness while the product is in use. If necessary, retighten to ensure structural integrity.
- Do not expose product to direct sunlight or rain; and do not put it in a humid place. Failure to do so may accelerate the distortion, discoloration or cause fissures.
Never touch with sharp objects or corrosive chemicals, which may damage the surface of the item.
- For daily care, please clean with a damp cloth, then immediately wipe dry.

Helpful Hints

PEOPLE NEEDED FOR ASSEMBLY: 1-2

- Open your item in the area you plan to keep it to avoid excessive heavy lifting.



- Identify, sort and count the parts before attempting assembly.

- Compression dowels are lightly tapped in with a hammer.



- Slides are labeled with an R (right) and L (left) for proper placement.



- Make sure to always face the point on the top of the Cam Lock towards the outer edge.

- If there is a back panel in the package, please install it to make sure your unit is complete and sturdy.



-Please fix all the screws provided for the back panel which can enhance product stability. If it is difficult to fix it when tightening, it can be fixed with the help of a hammer and then tightened.

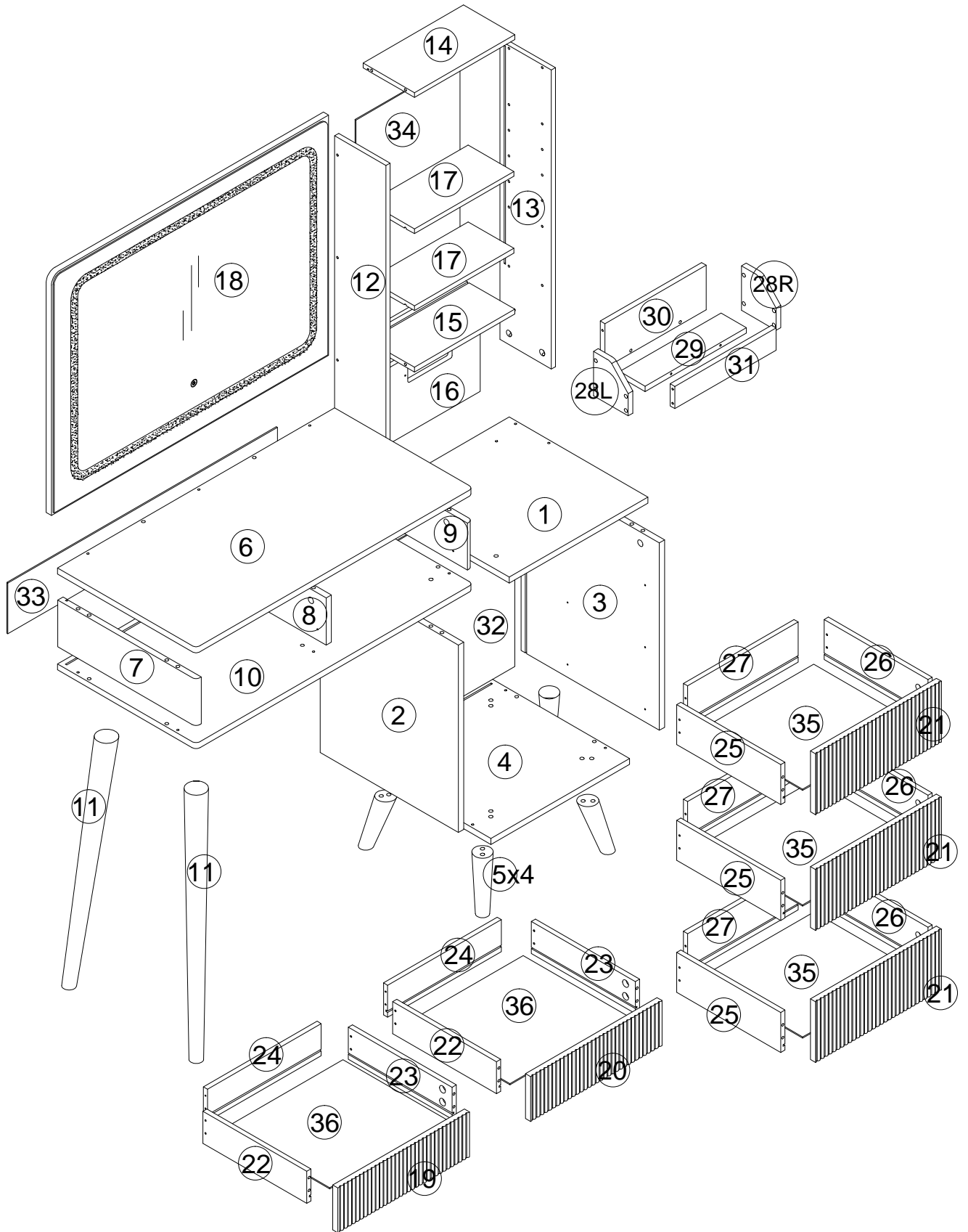


- Do NOT use harsh chemicals or abrasive cleaners on this item.

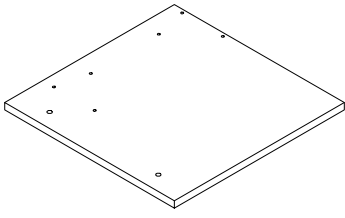
- Never push, pull, or drag your furniture.



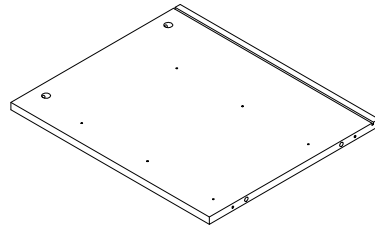
EXPLODED



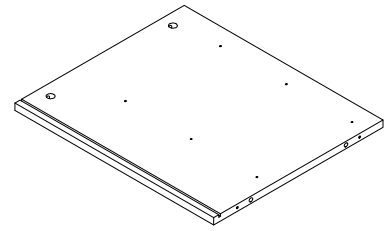
EQUIPMENT LIST



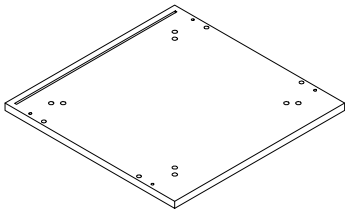
① x1PC



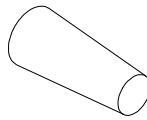
② x1PC



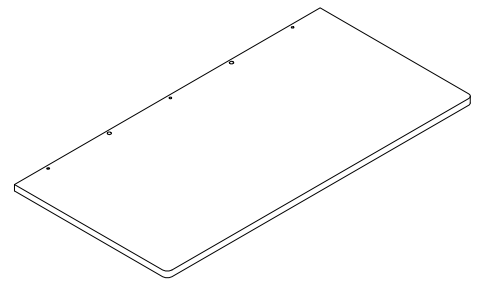
③ x1PC



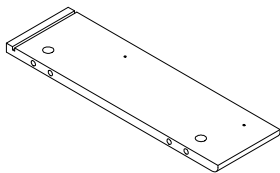
④ x1PC



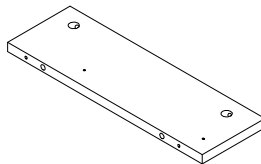
⑤ x4PCS



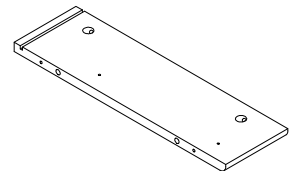
⑥ x1PC



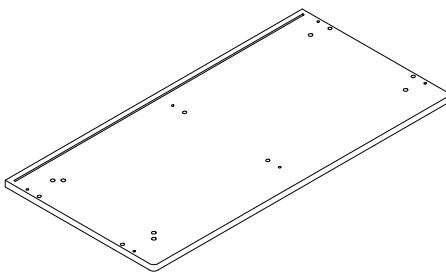
⑦ x1PC



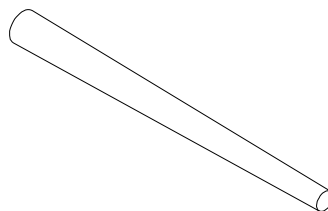
⑧ x1PC



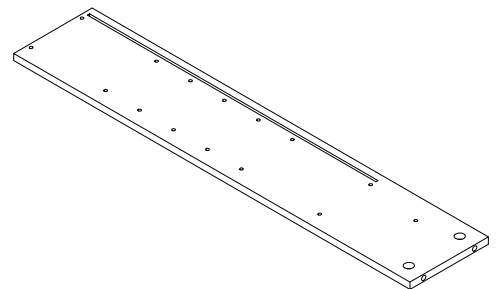
⑨ x1PC



⑩ x1PC

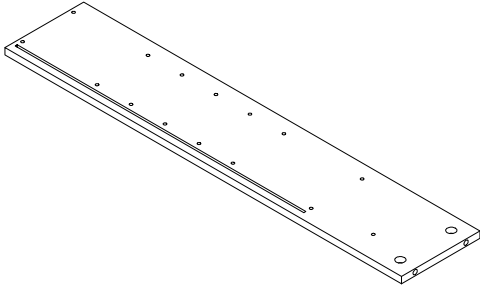


⑪ x2PCS

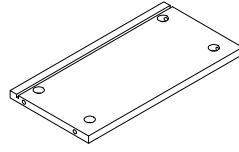


⑫ x1PC

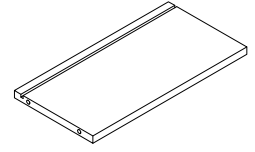
EQUIPMENT LIST



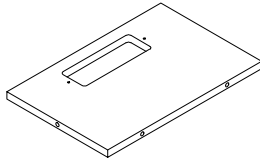
⑬ x1PC



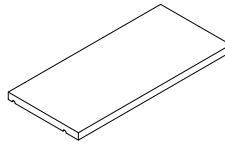
⑭ x1PC



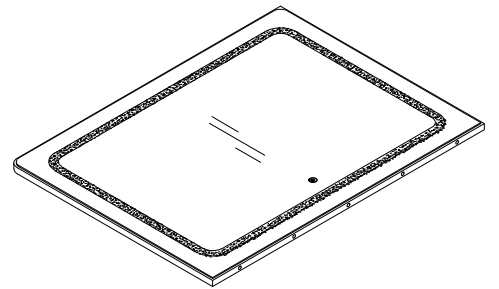
⑮ x1PC



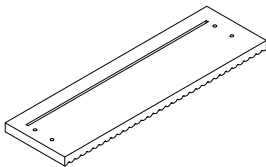
⑯ x1PC



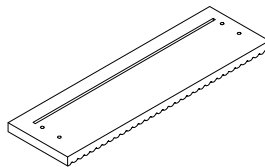
⑰ x2PCS



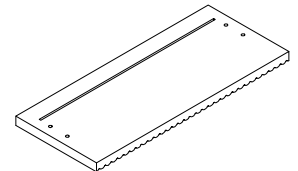
⑱ x1PC



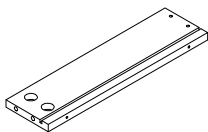
⑲ x1PC



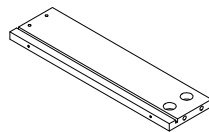
⑳ x1PC



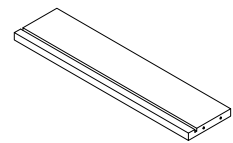
㉑ x3PCS



㉒ x2PCS

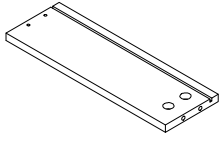


㉓ x2PCS

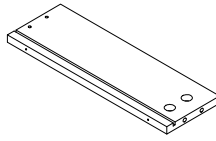


㉔ x2PCS

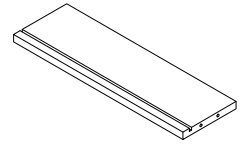
EQUIPMENT LIST



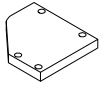
②⑤ x3PCS



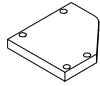
②⑥ x3PCS



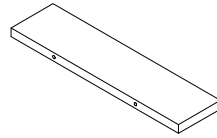
②⑦ x3PCS



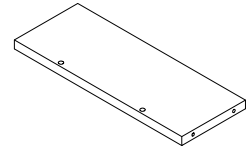
②⑧L x1PC



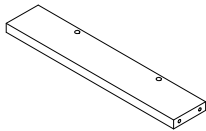
②⑧R x1PC



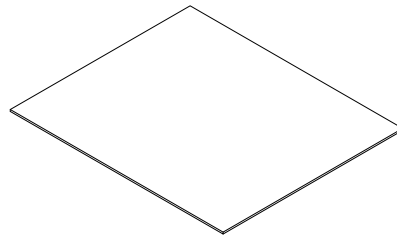
②⑨ x1PC



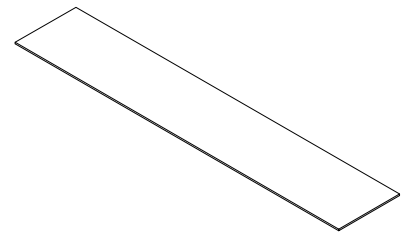
③⑩ x1PC



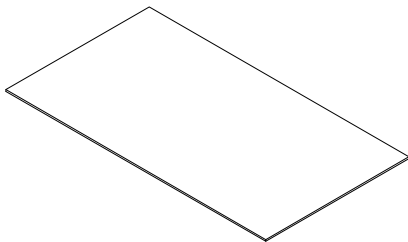
③① x1PC



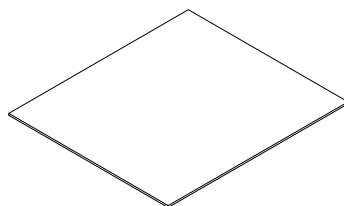
③② x1PC



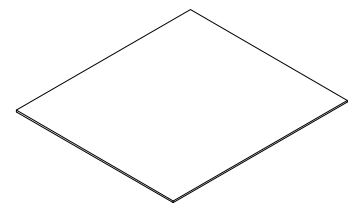
③③ x1PC



③④ x1PC



③⑤ x3PCS



③⑥ x2PCS

PART LIST



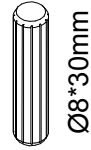
Ø6.5*36mm

A×52PC



Ø15*9.5mm

B×52PCS



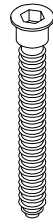
Ø8*30mm

C×22PCS



M3.5x12mm

D×52PCS

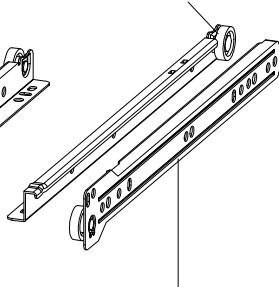
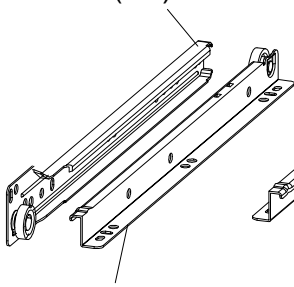


M5x45mm

E×22PCS

F1(CL)x5PCS

F2(DR)x5PCS



F2(DL)x5PCS

F1(CR)x5PCS



M6x30mm

G×14PCS

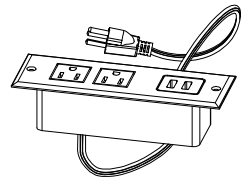


H1×12PCS



H2×12PCS
M3.5x16mm

H×12PCS



I×1PC



M4x30mm

J×20PCS

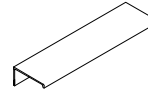


Ø5*7*17mm

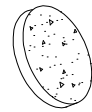
K×8PC



L×1PC



M×5PCS



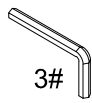
Ø30mm

N×4PCS

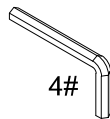


Ø20mm

O×30PCS

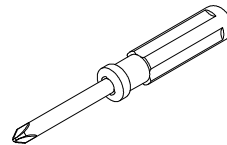


3#

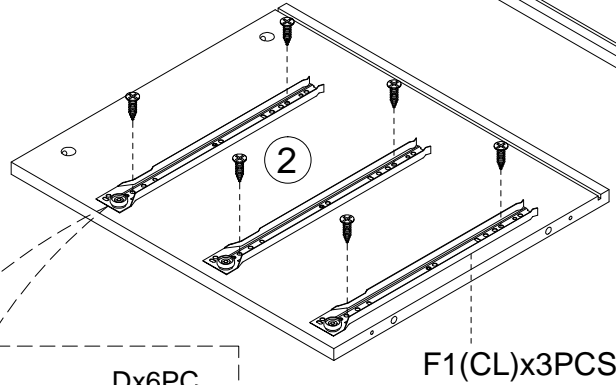
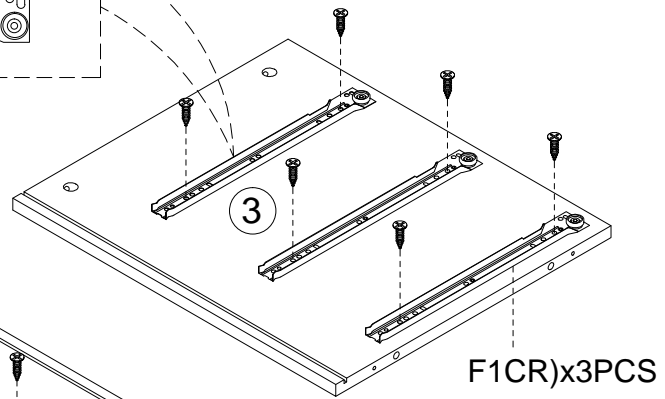
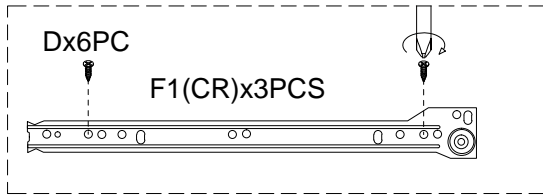
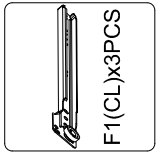


4#

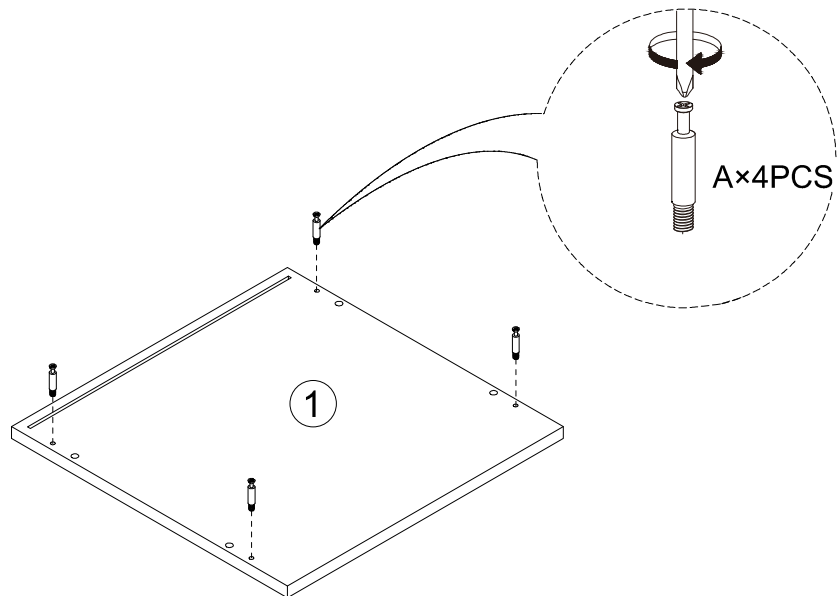
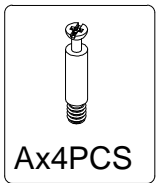
P×1PCS



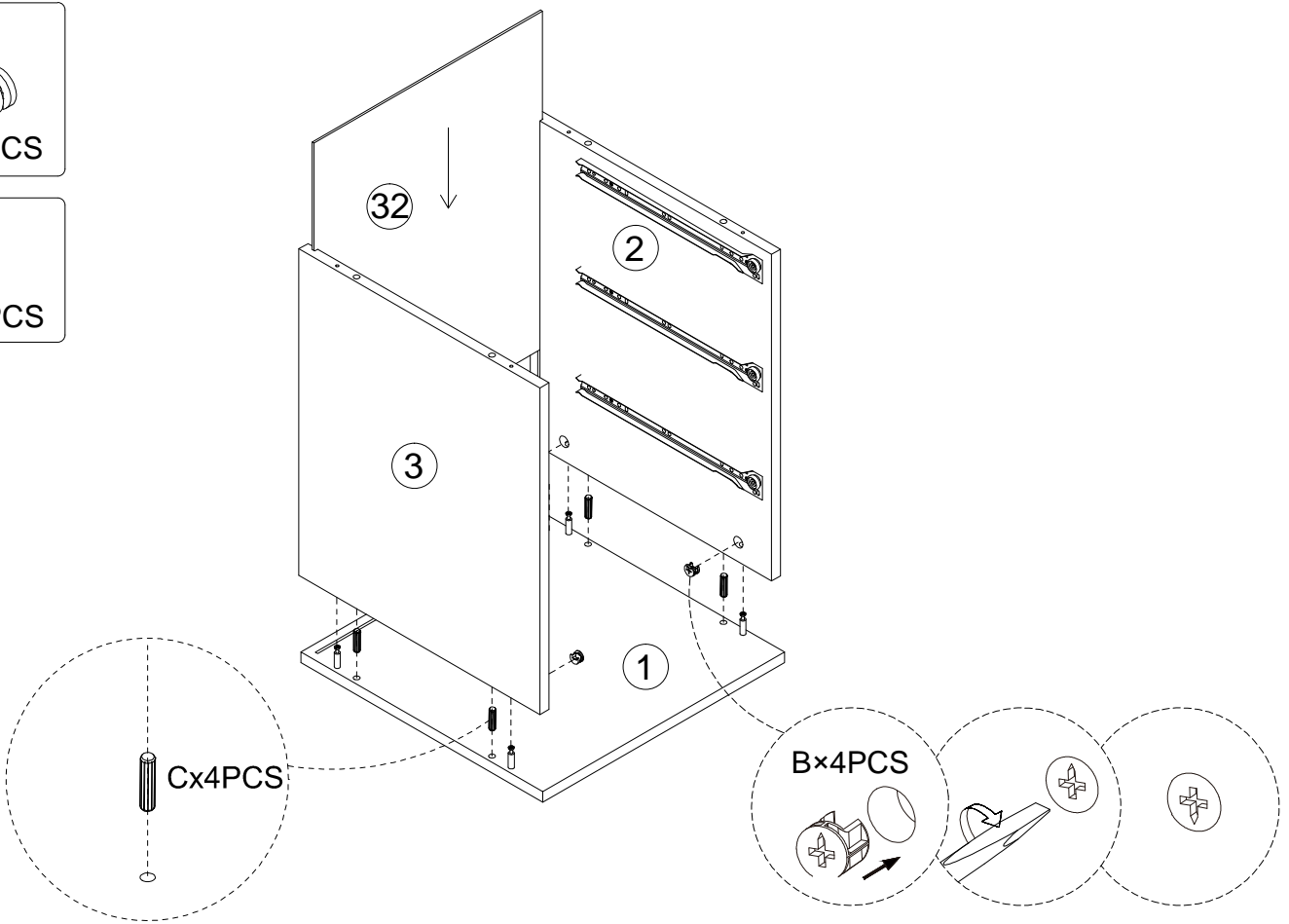
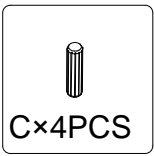
STEP1



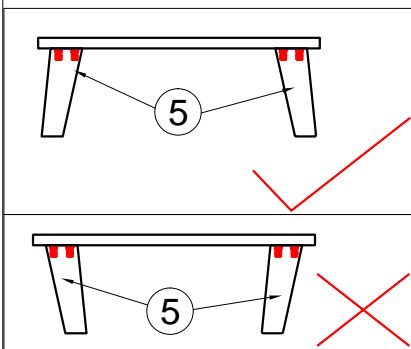
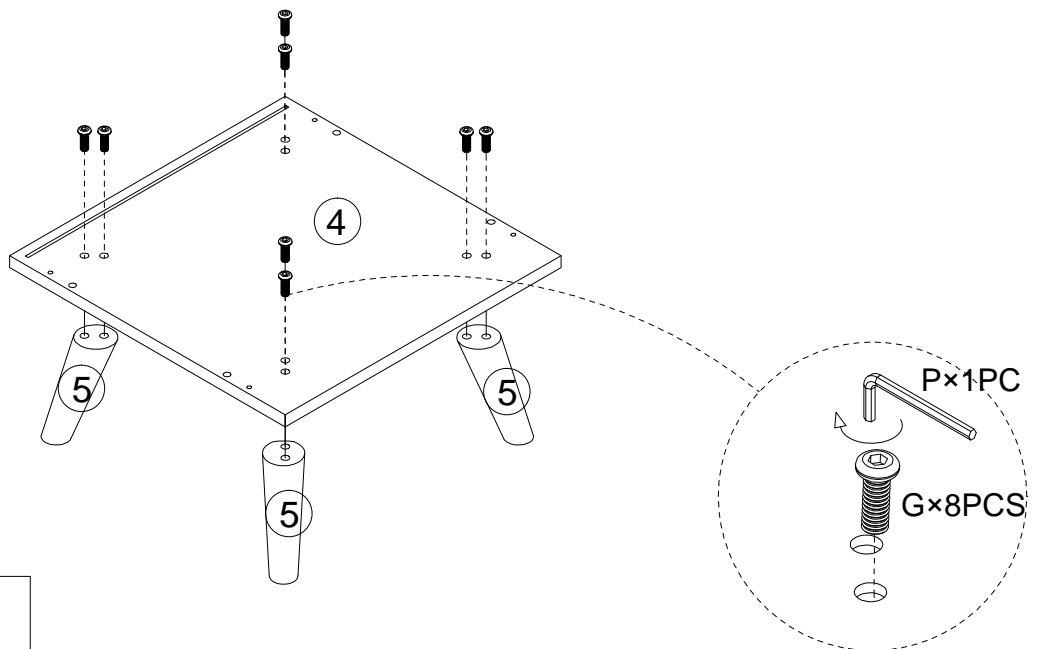
STEP2



STEP3

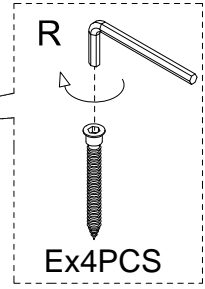
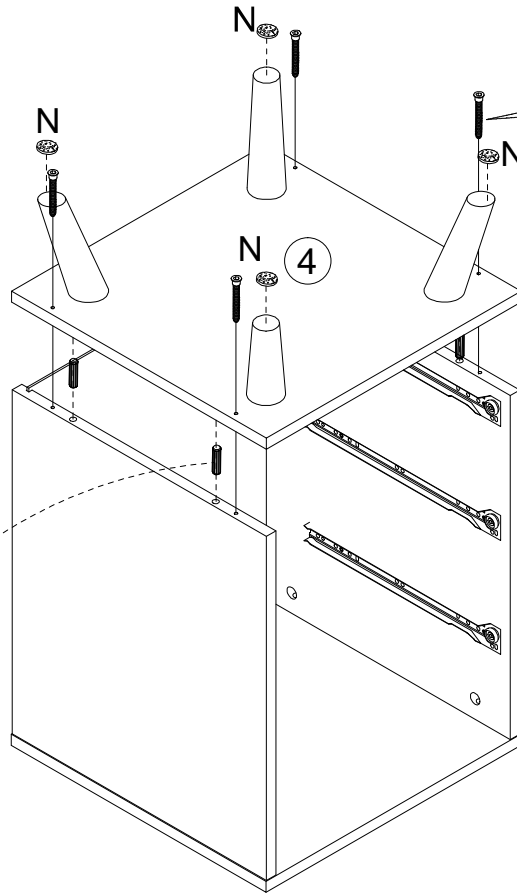
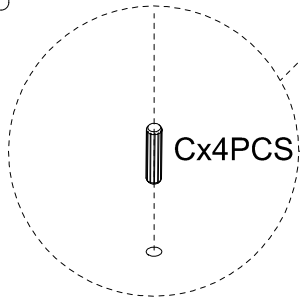
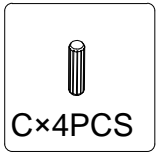
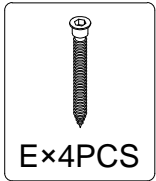


STEP4

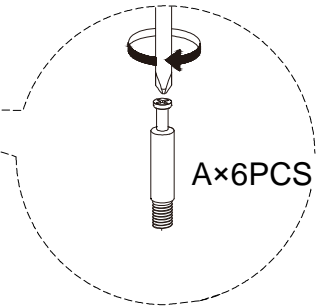
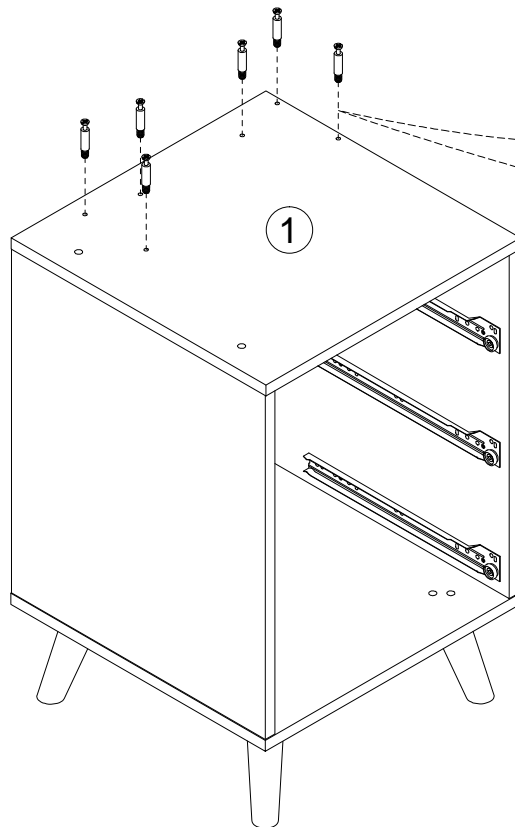
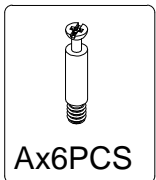


Attention

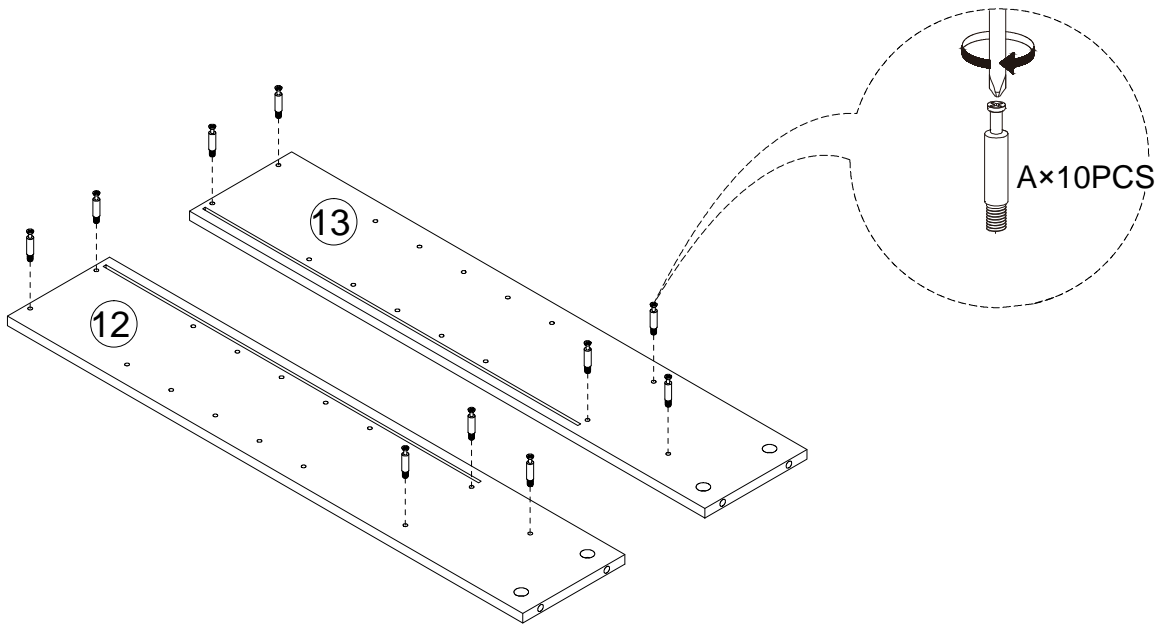
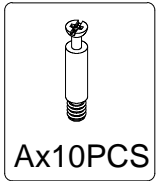
STEP5



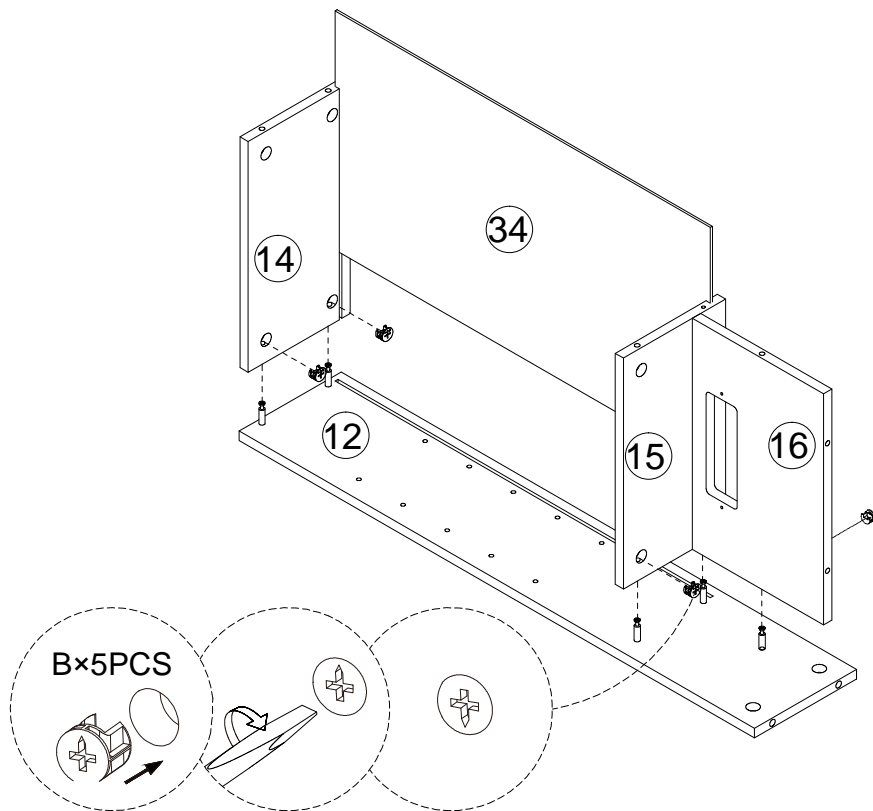
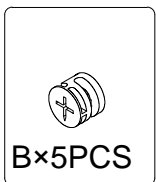
STEP6



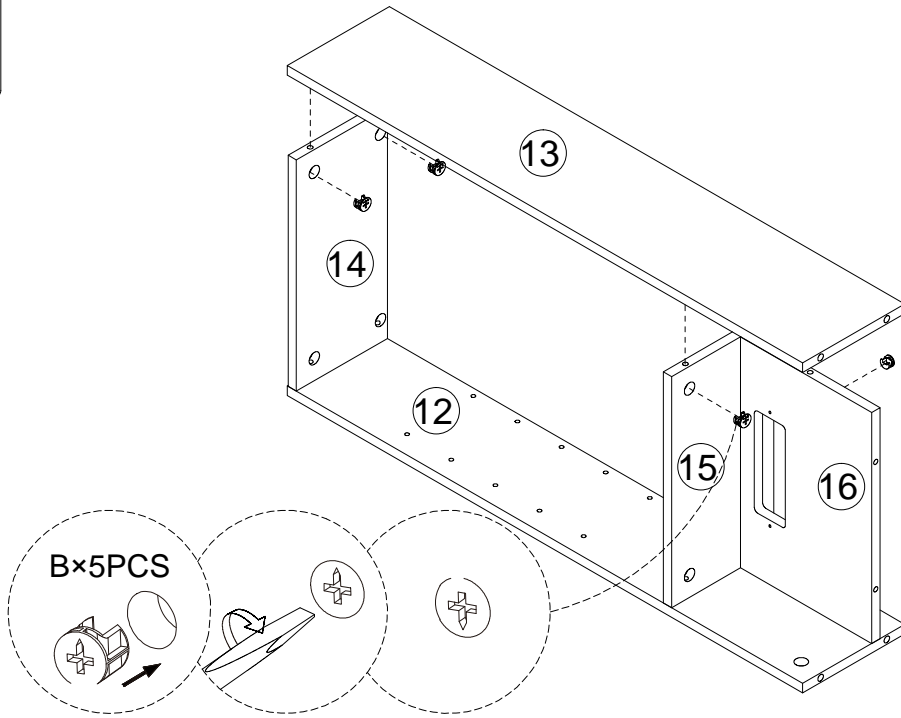
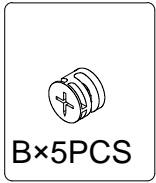
STEP7



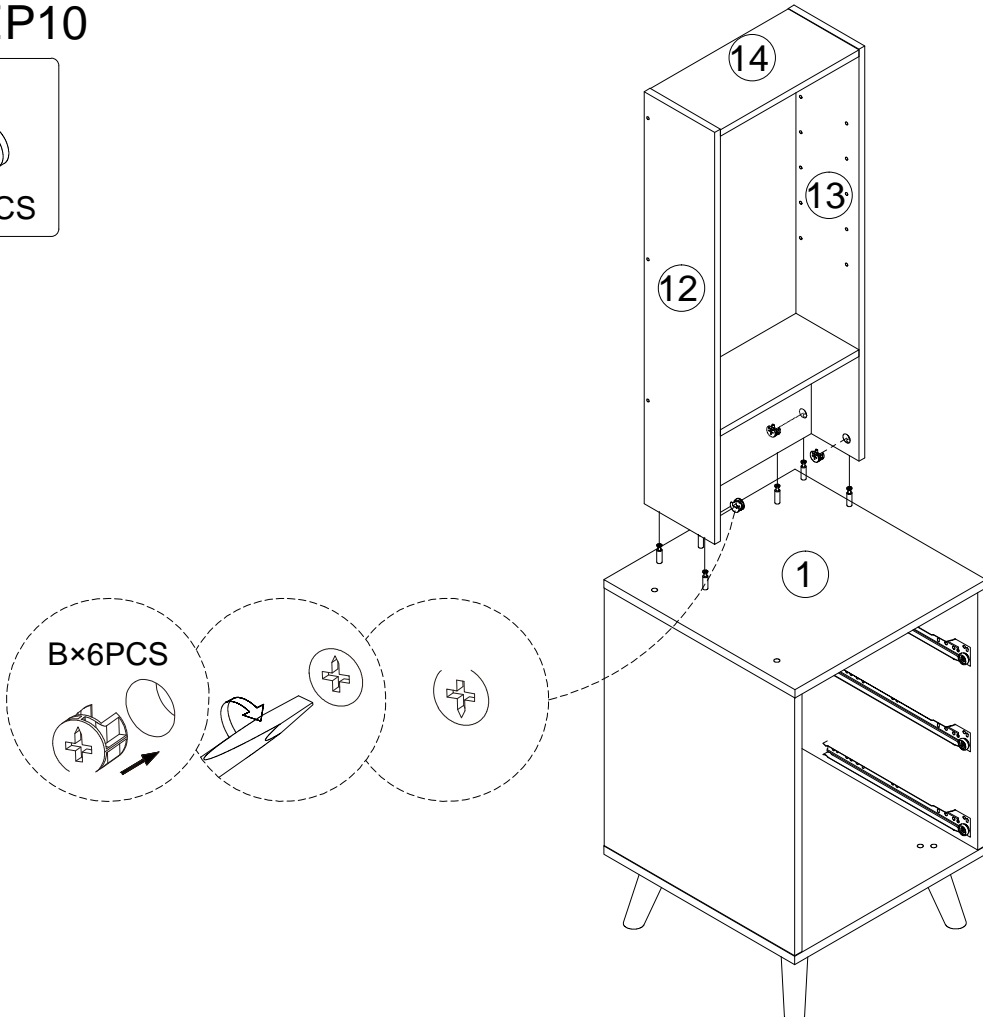
STEP8



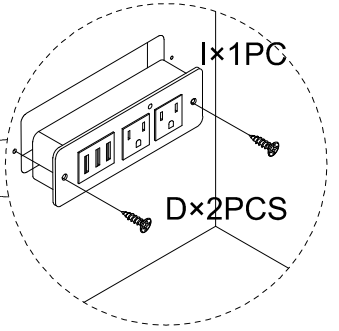
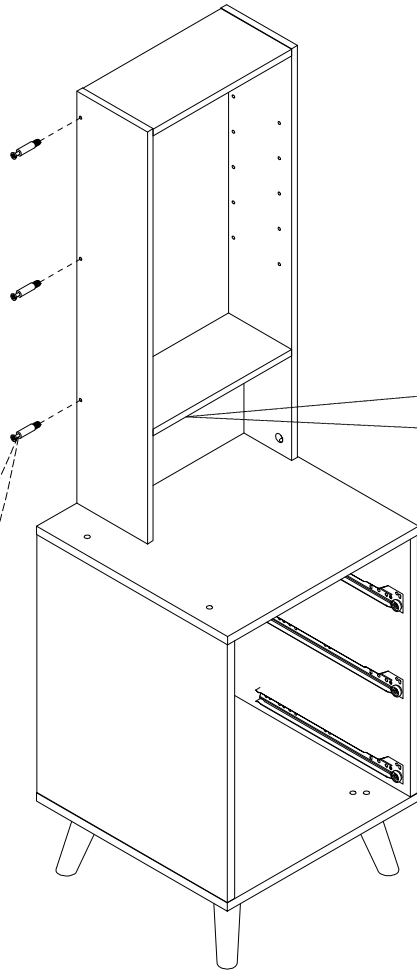
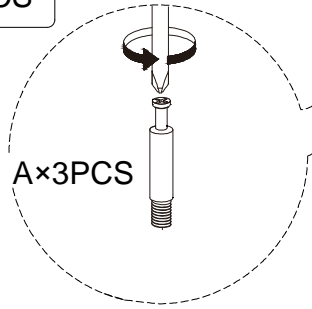
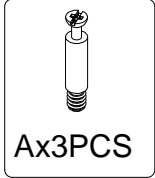
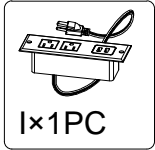
STEP9



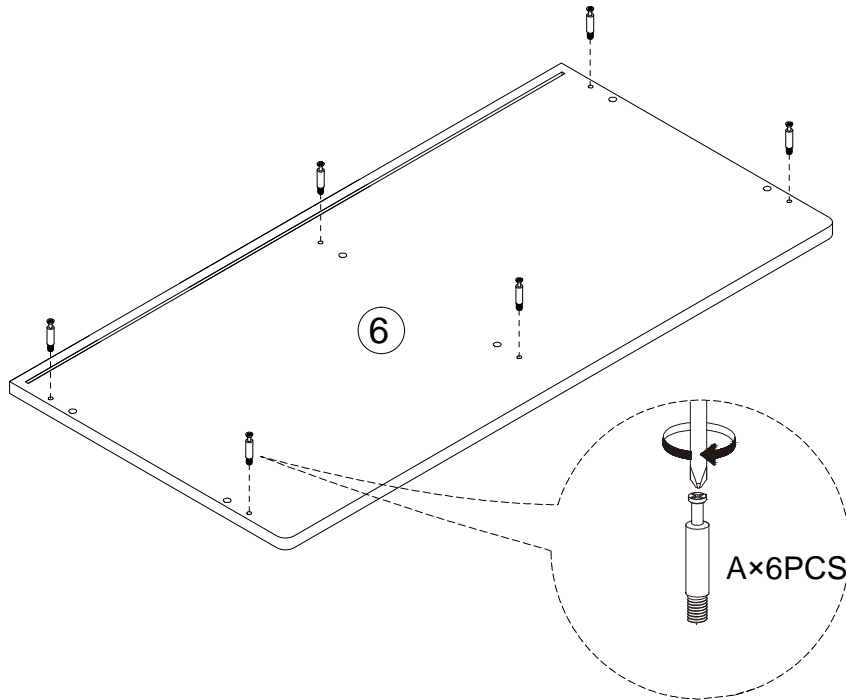
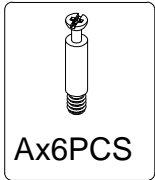
STEP10



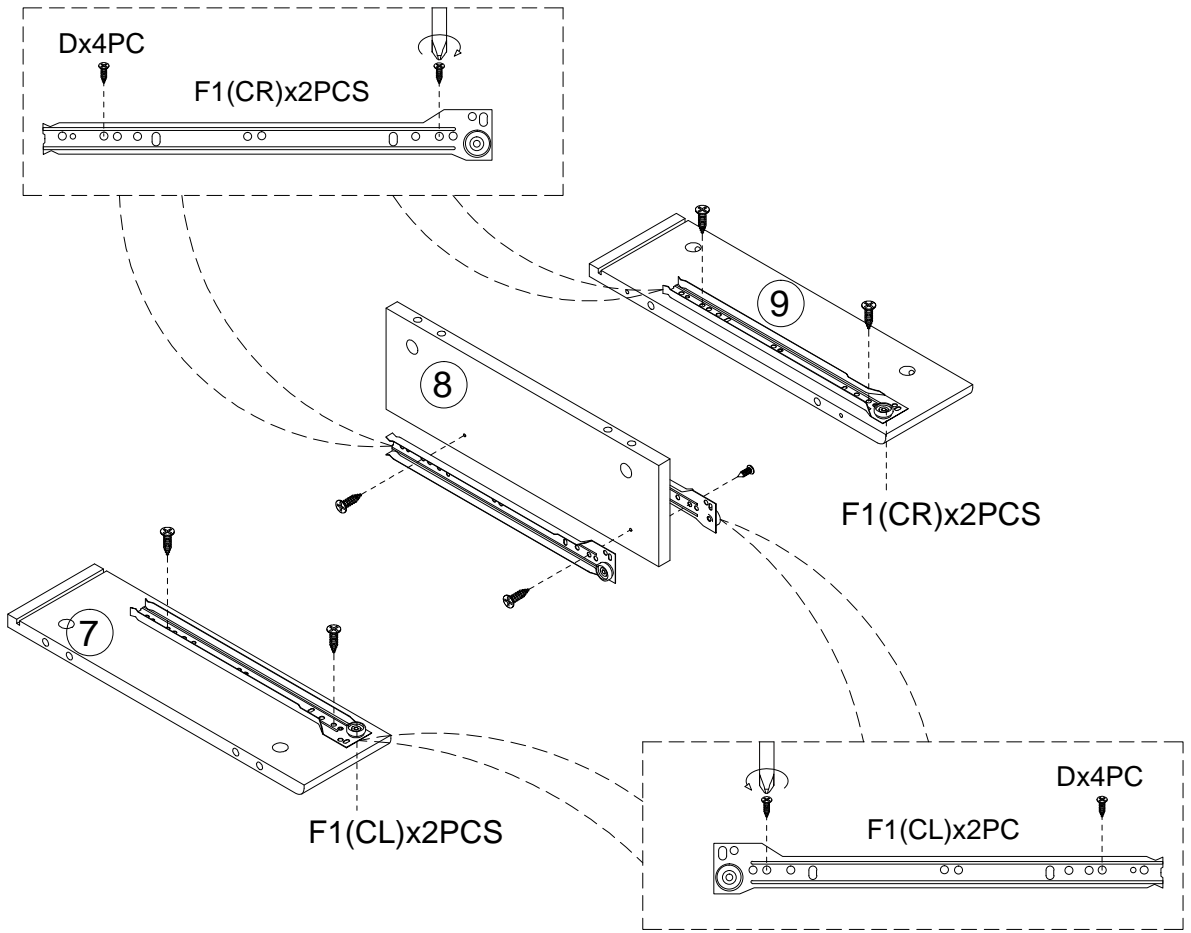
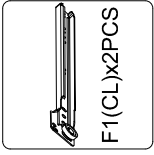
STEP11



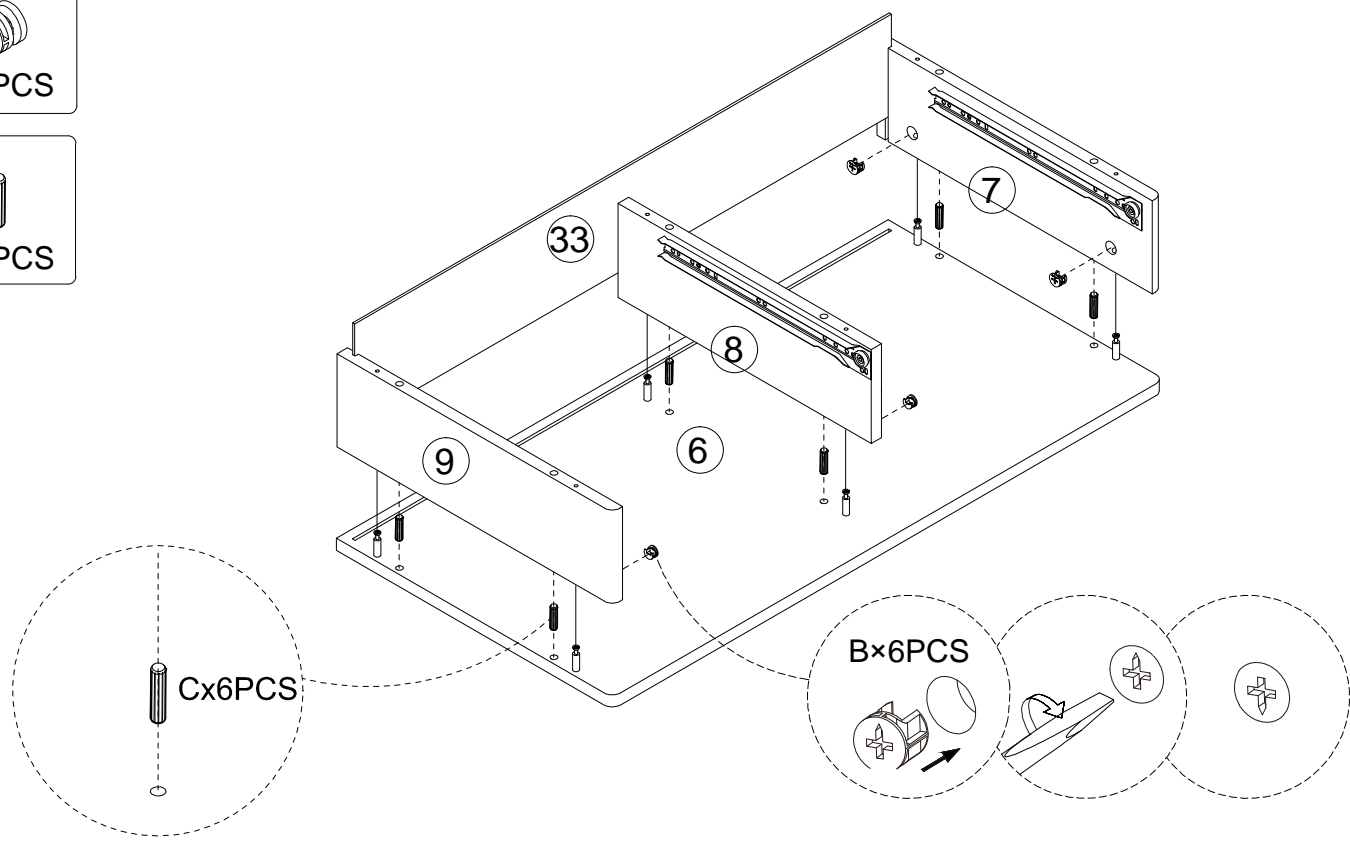
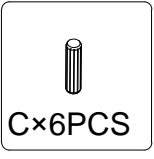
STEP12



STEP13



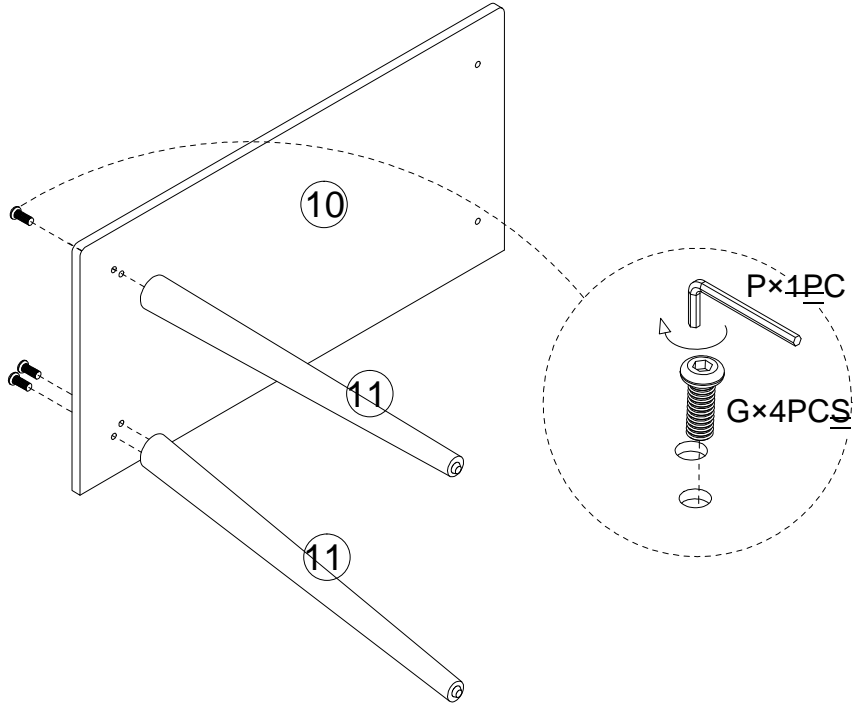
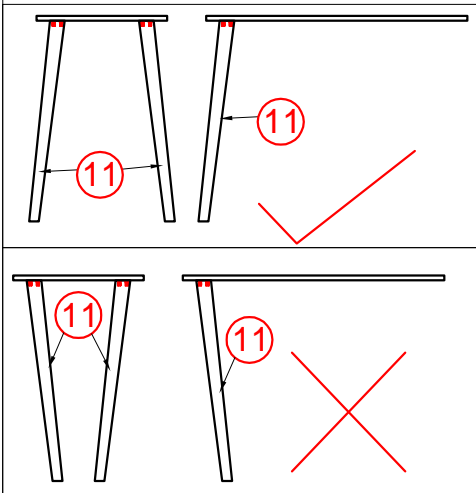
STEP14



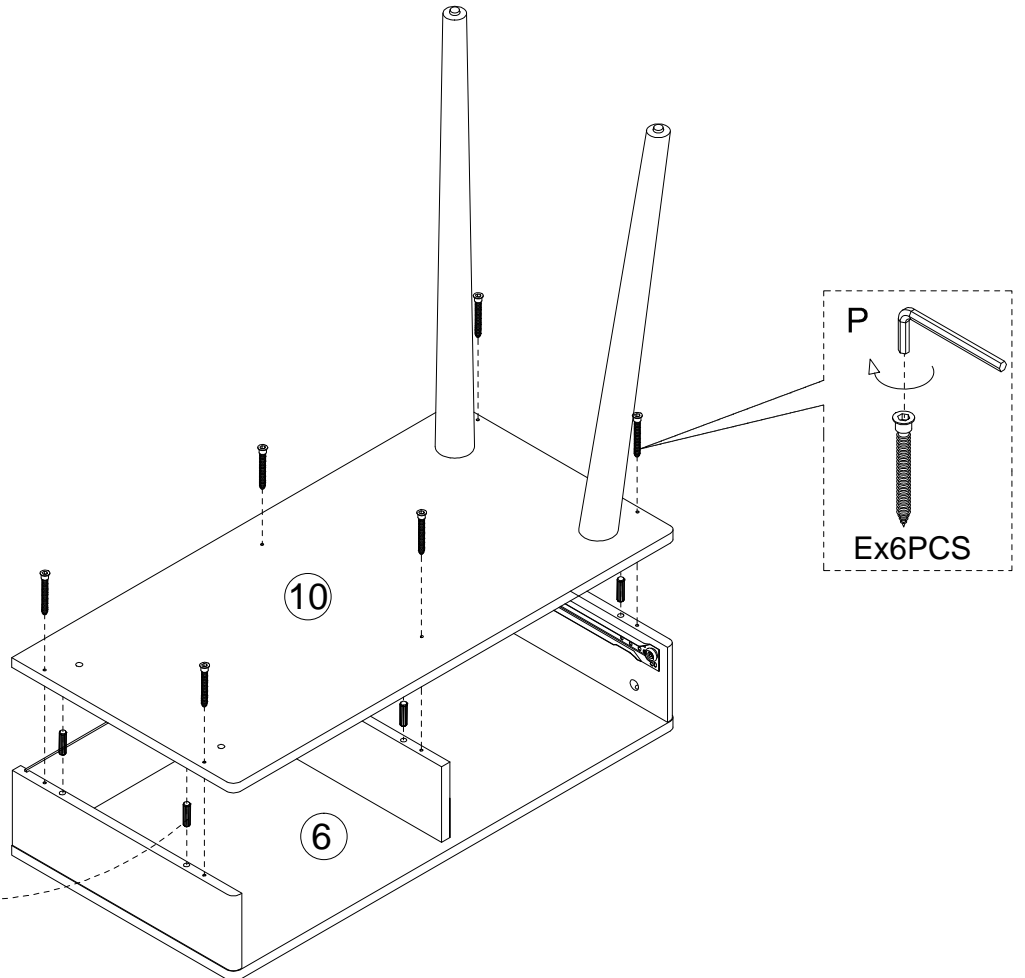
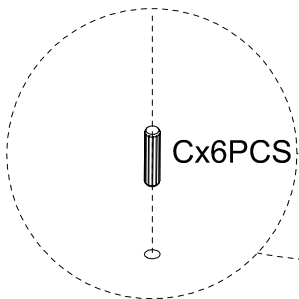
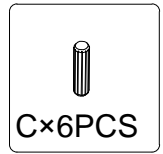
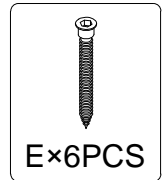
STEP15



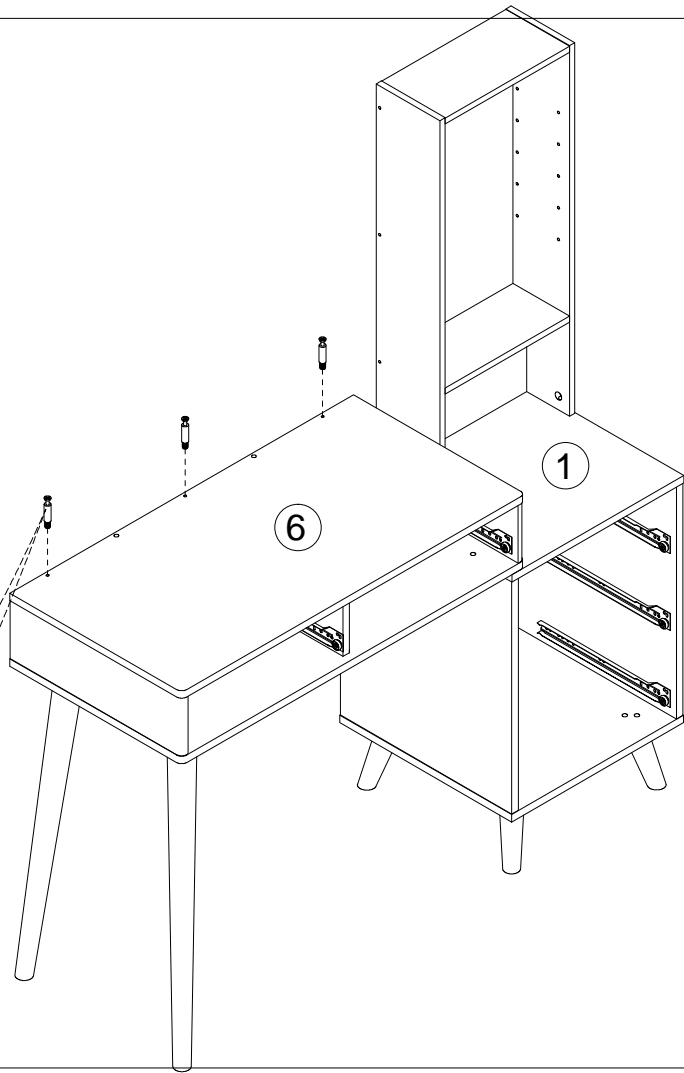
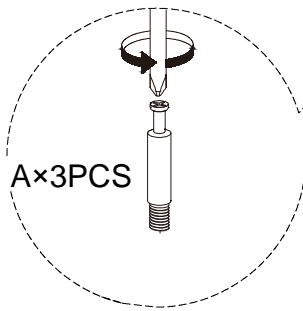
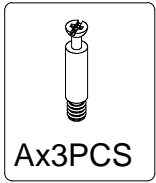
Attention



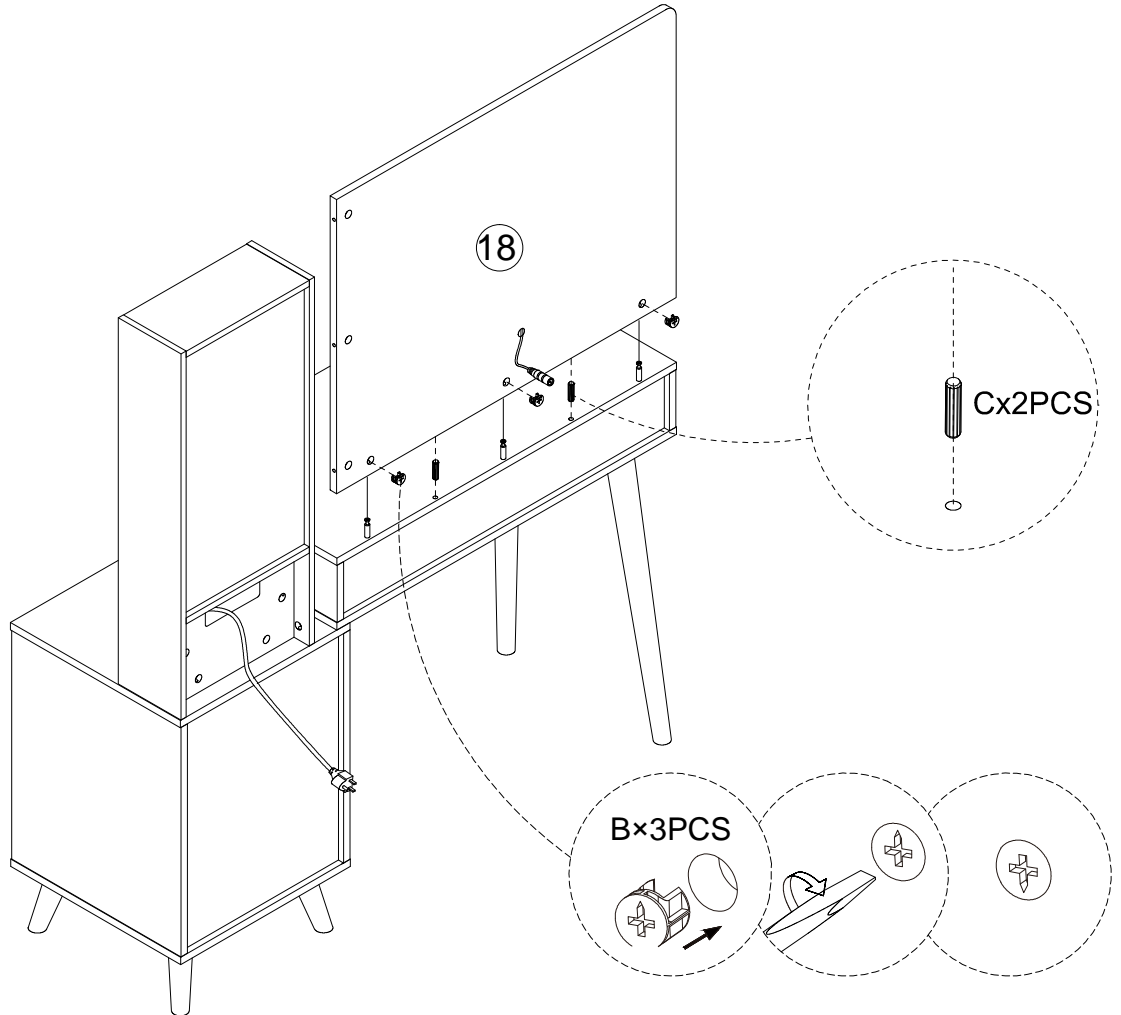
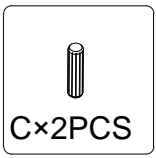
STEP16



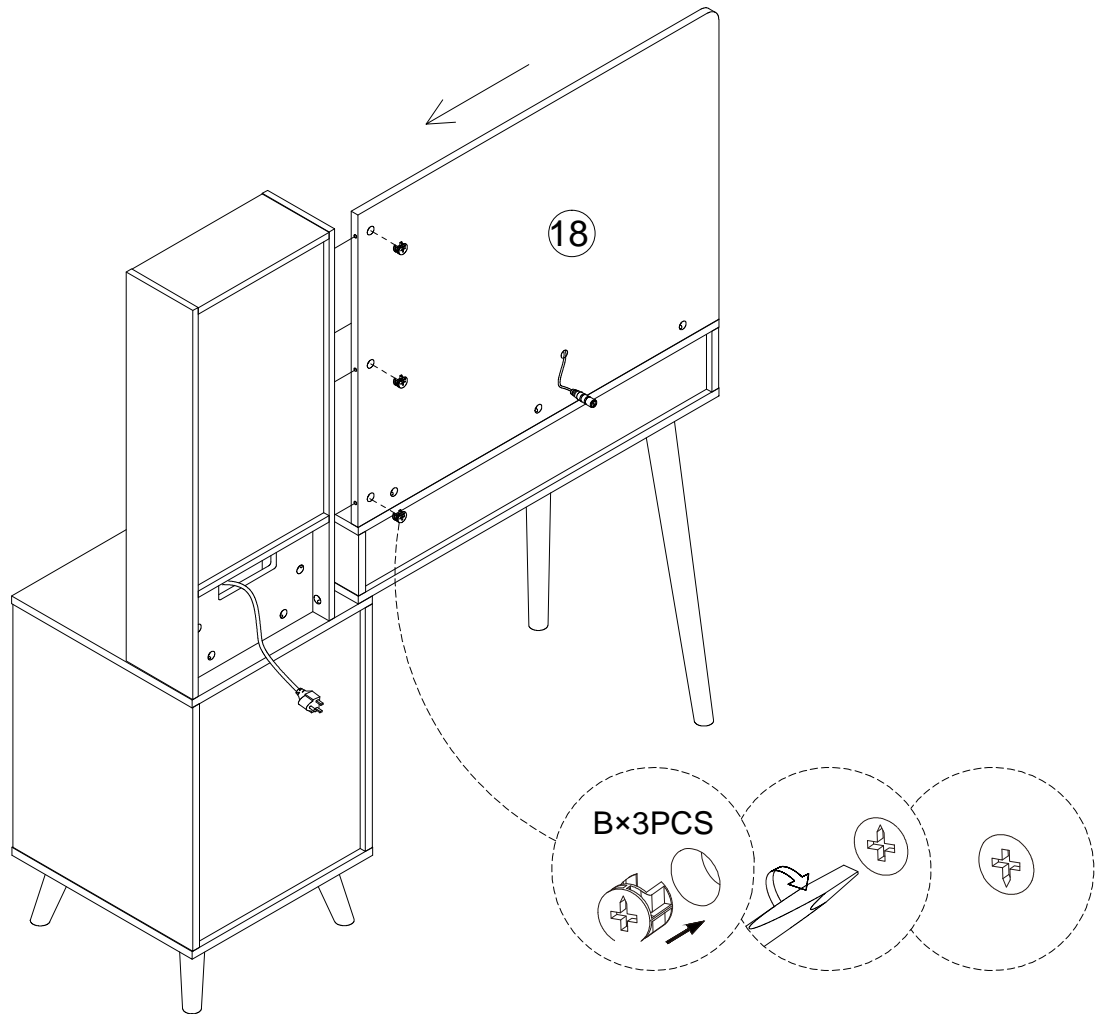
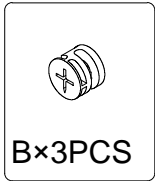
STEP17



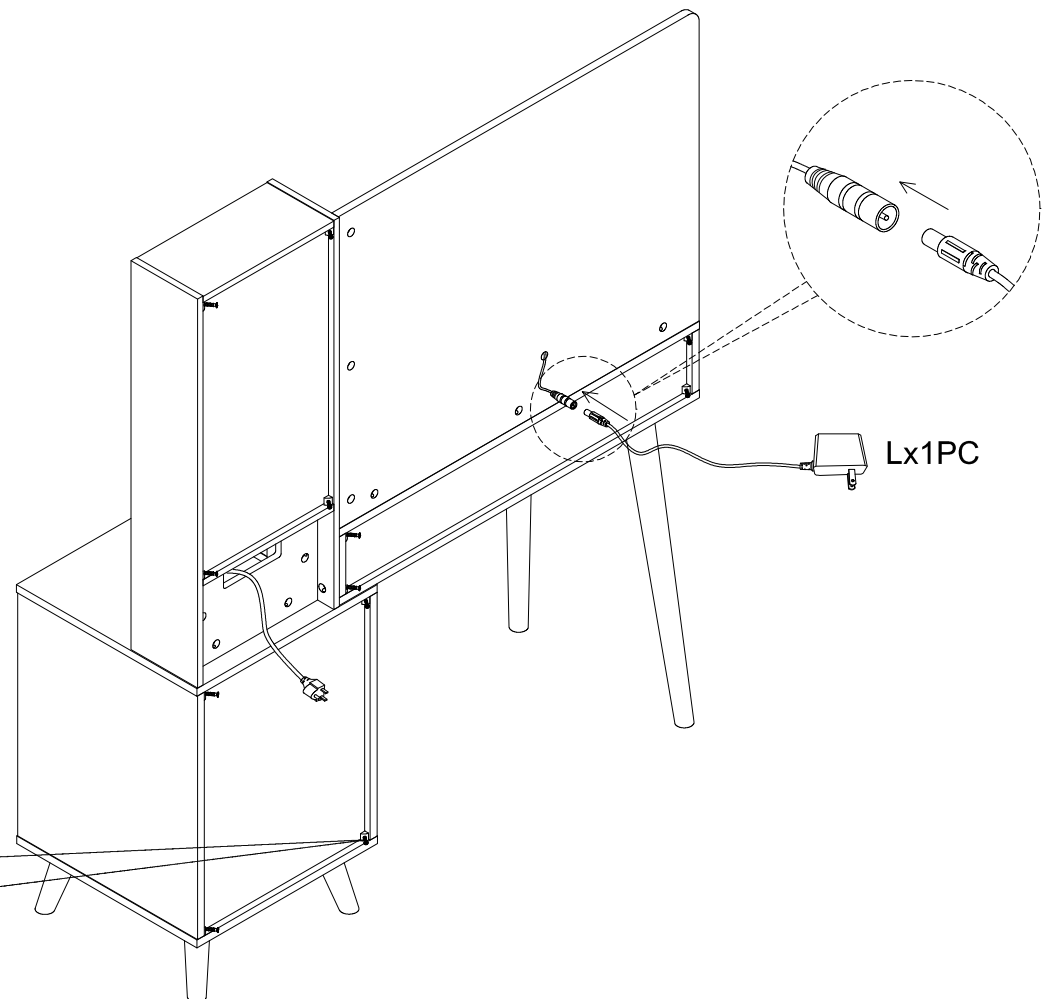
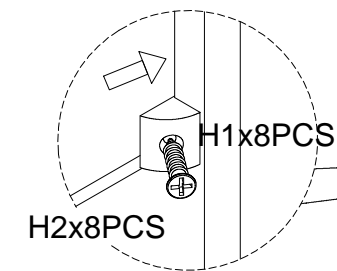
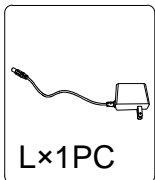
STEP18



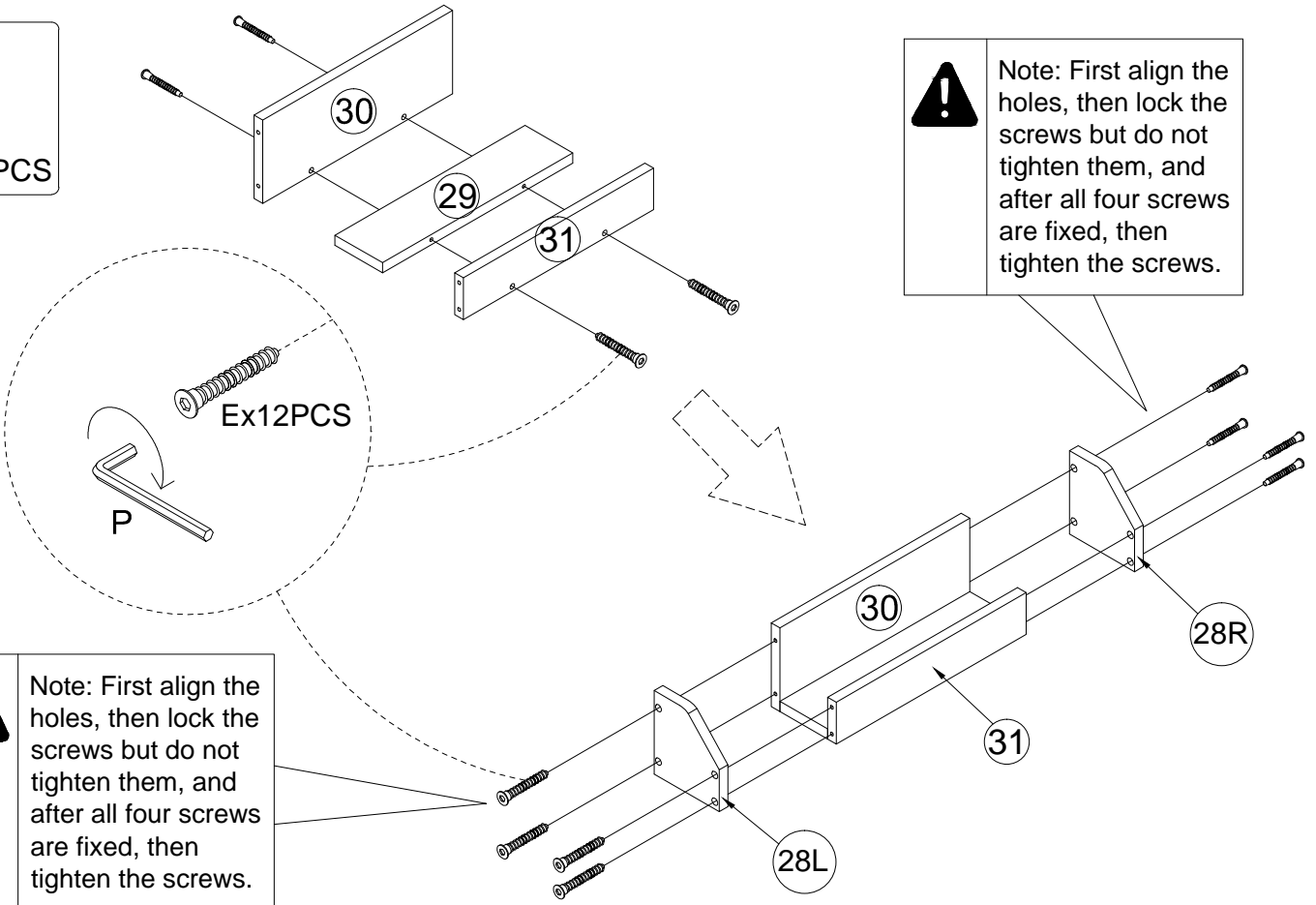
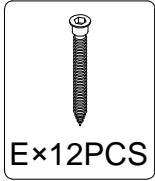
STEP19



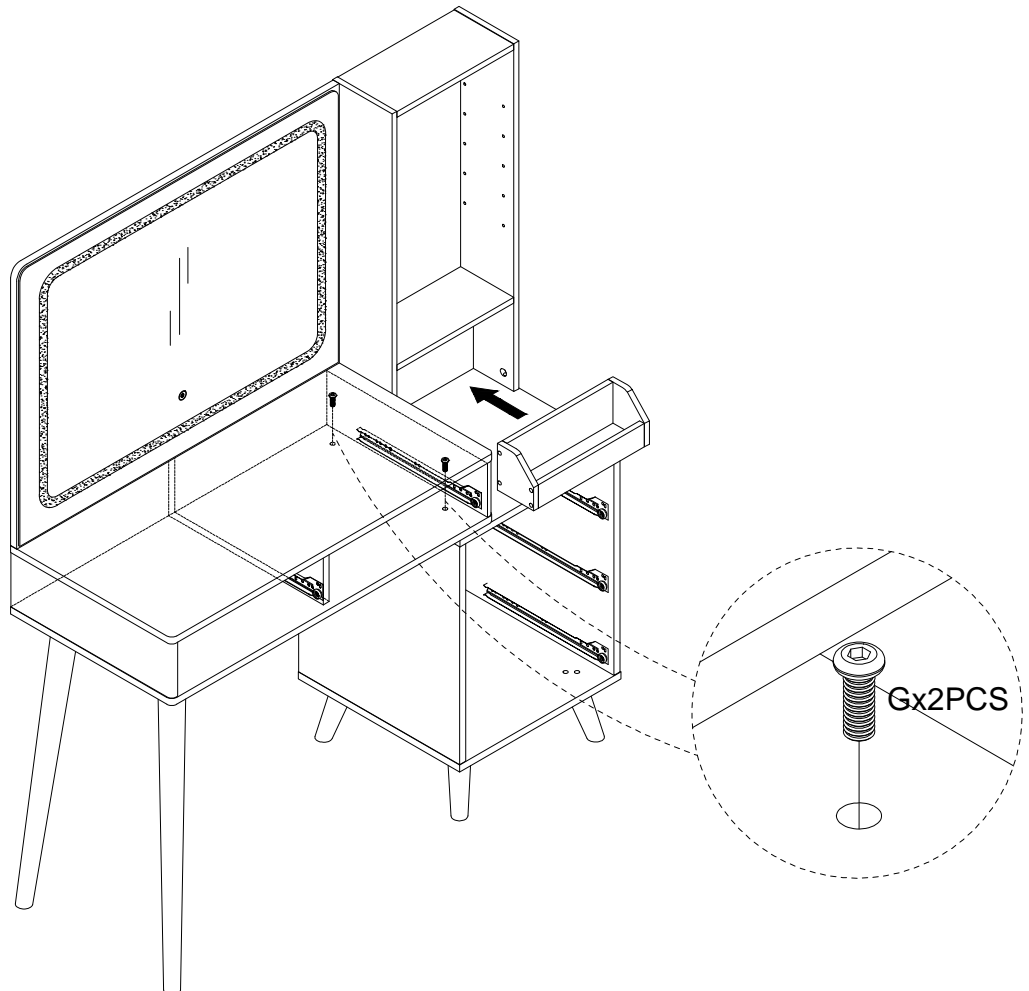
STEP20



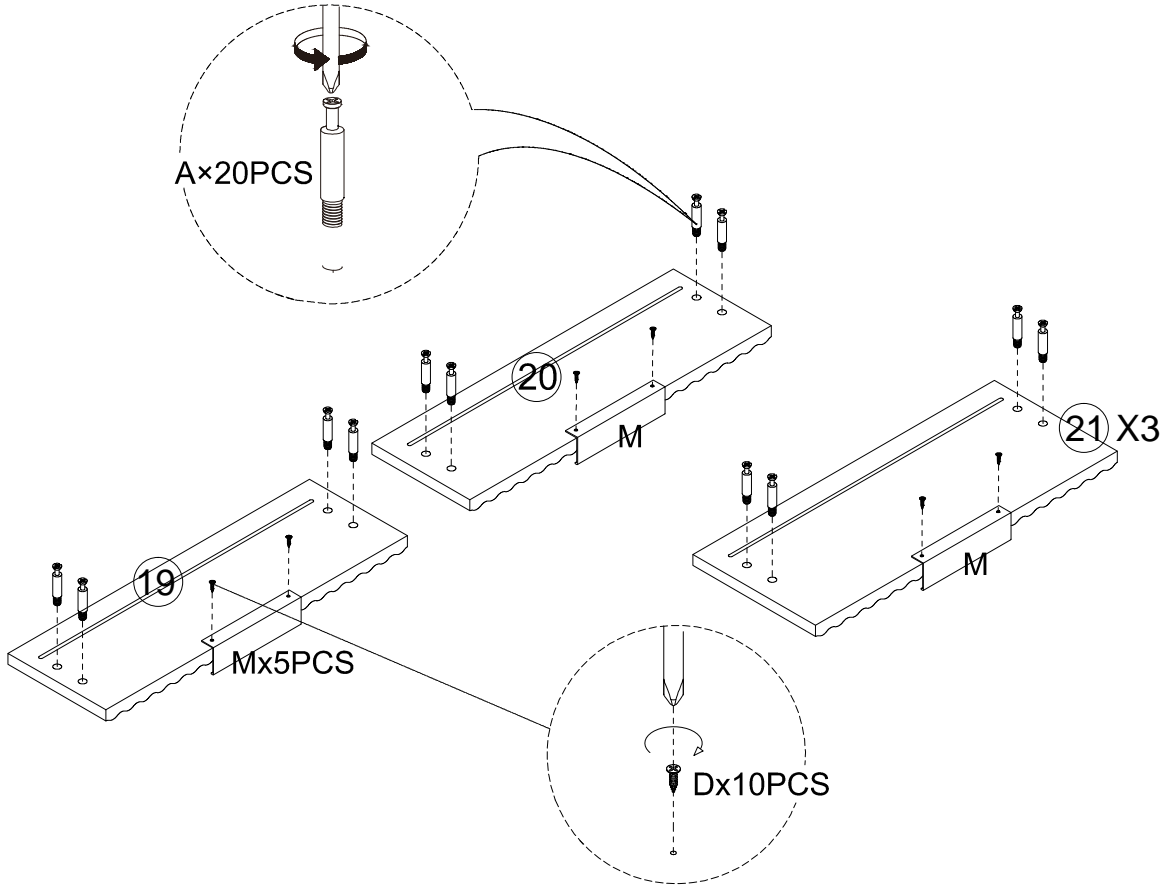
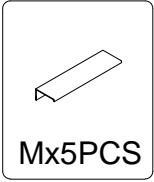
STEP21



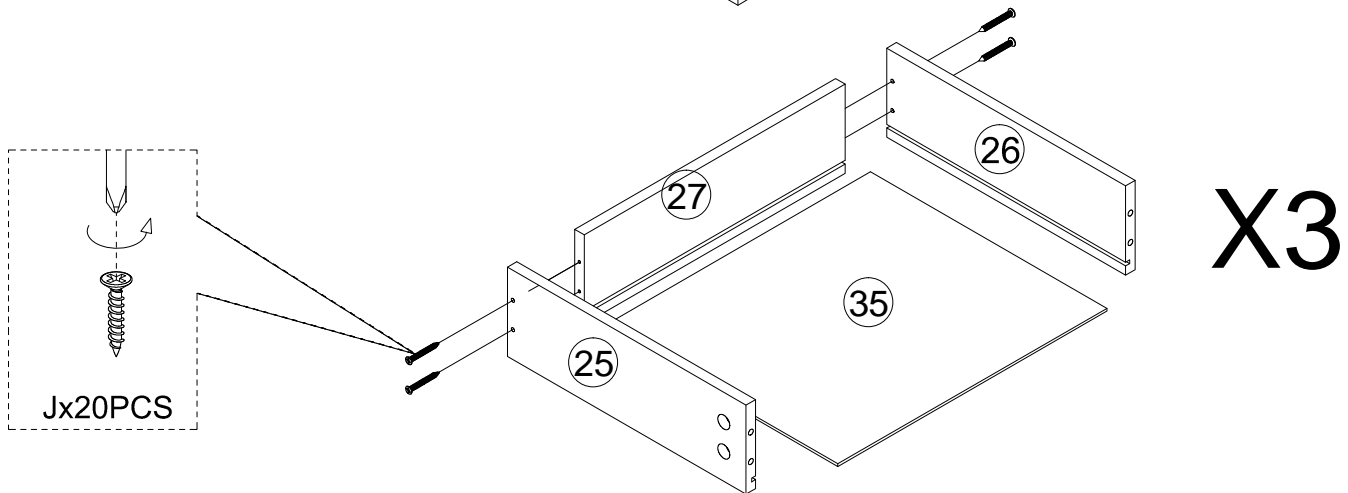
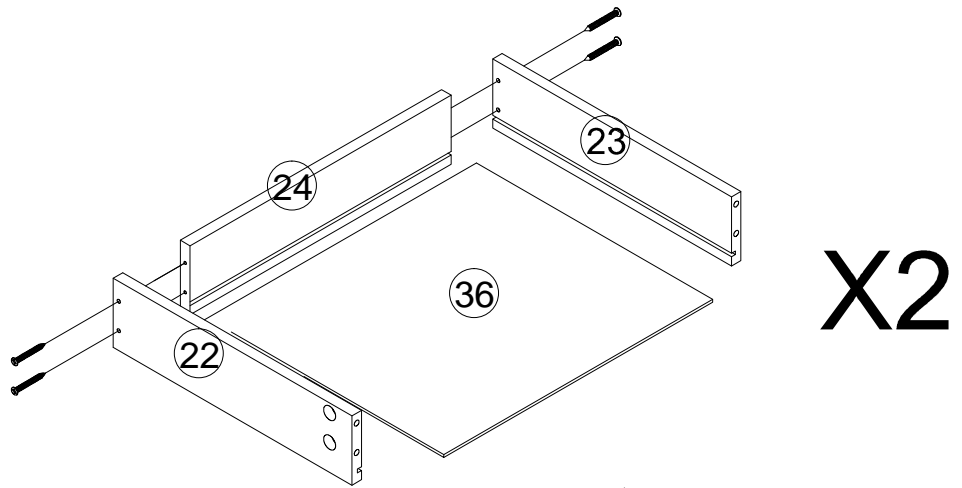
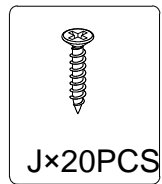
STEP22



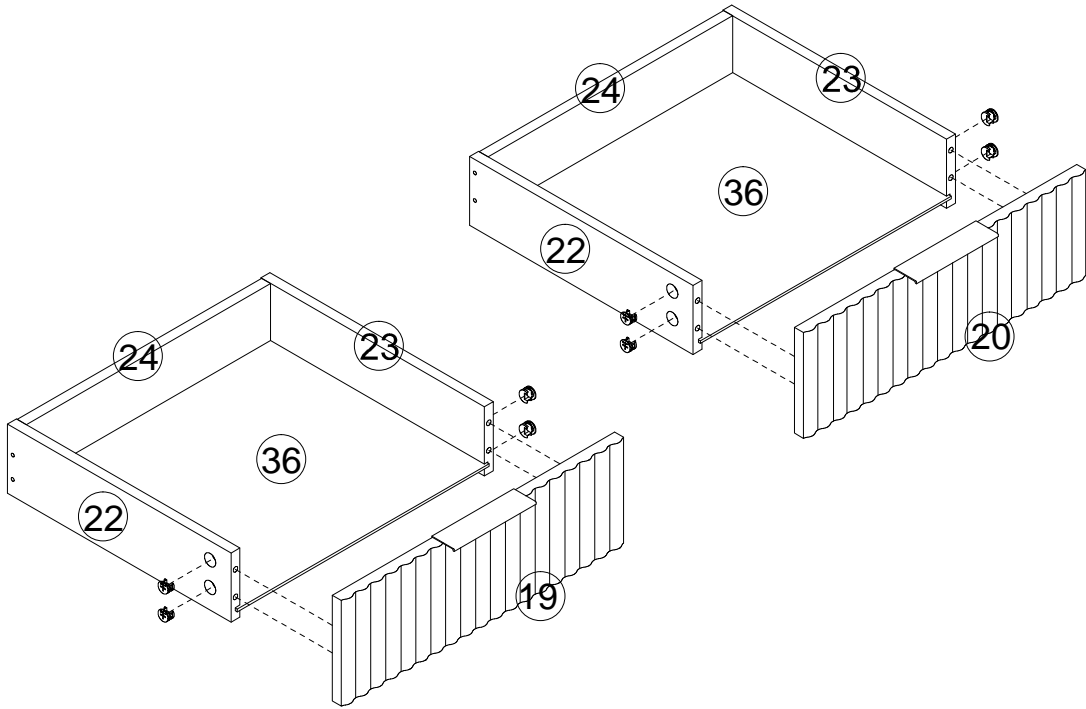
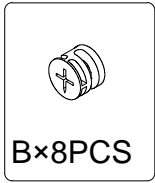
STEP23



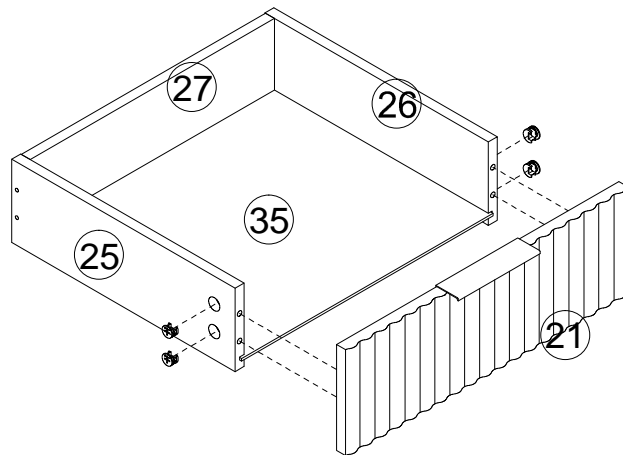
STEP24



STEP25

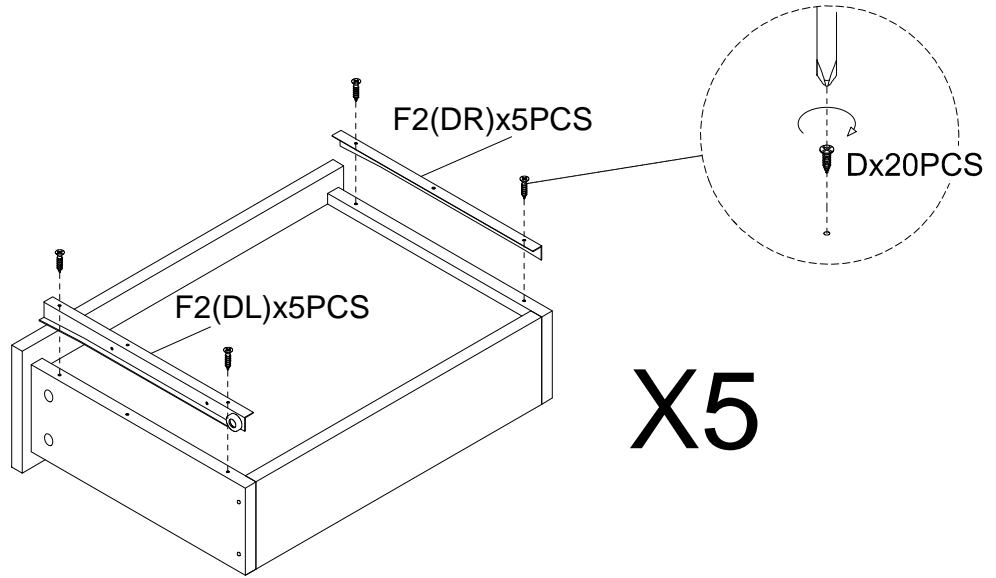
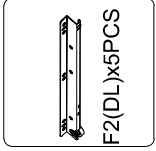
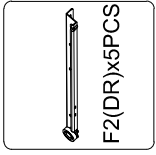


STEP26



X3

STEP27



STEP28

