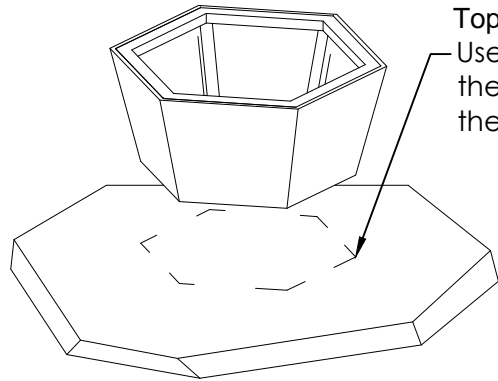


Wood Screws #8x3"

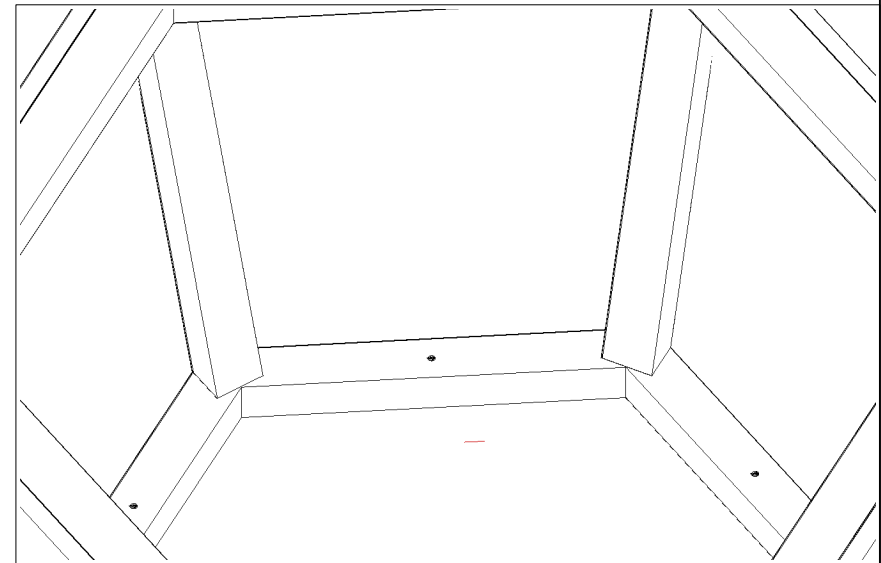
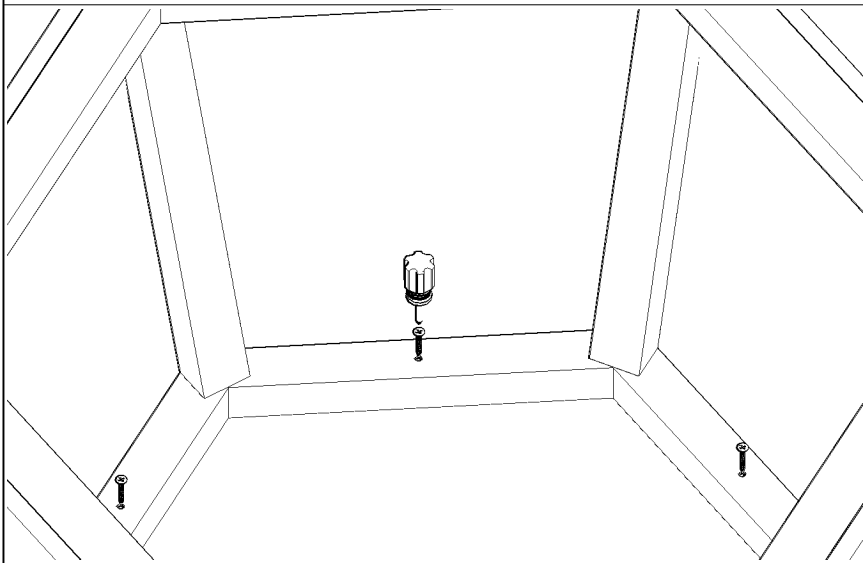
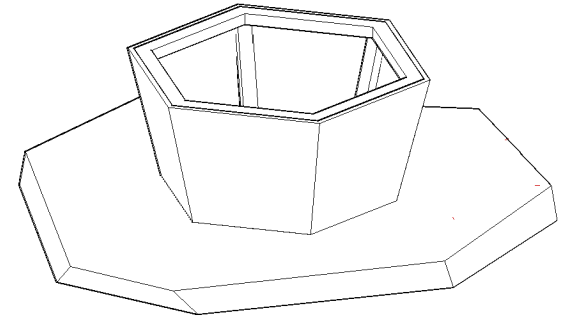


6



Top doesn't have pre-drilled holes.
Use grey marks underneath
the cover to align the base on
the top before install the screws

- 1
- 2
- 3
- 4



Coffee Table Top

Coffee Table Base