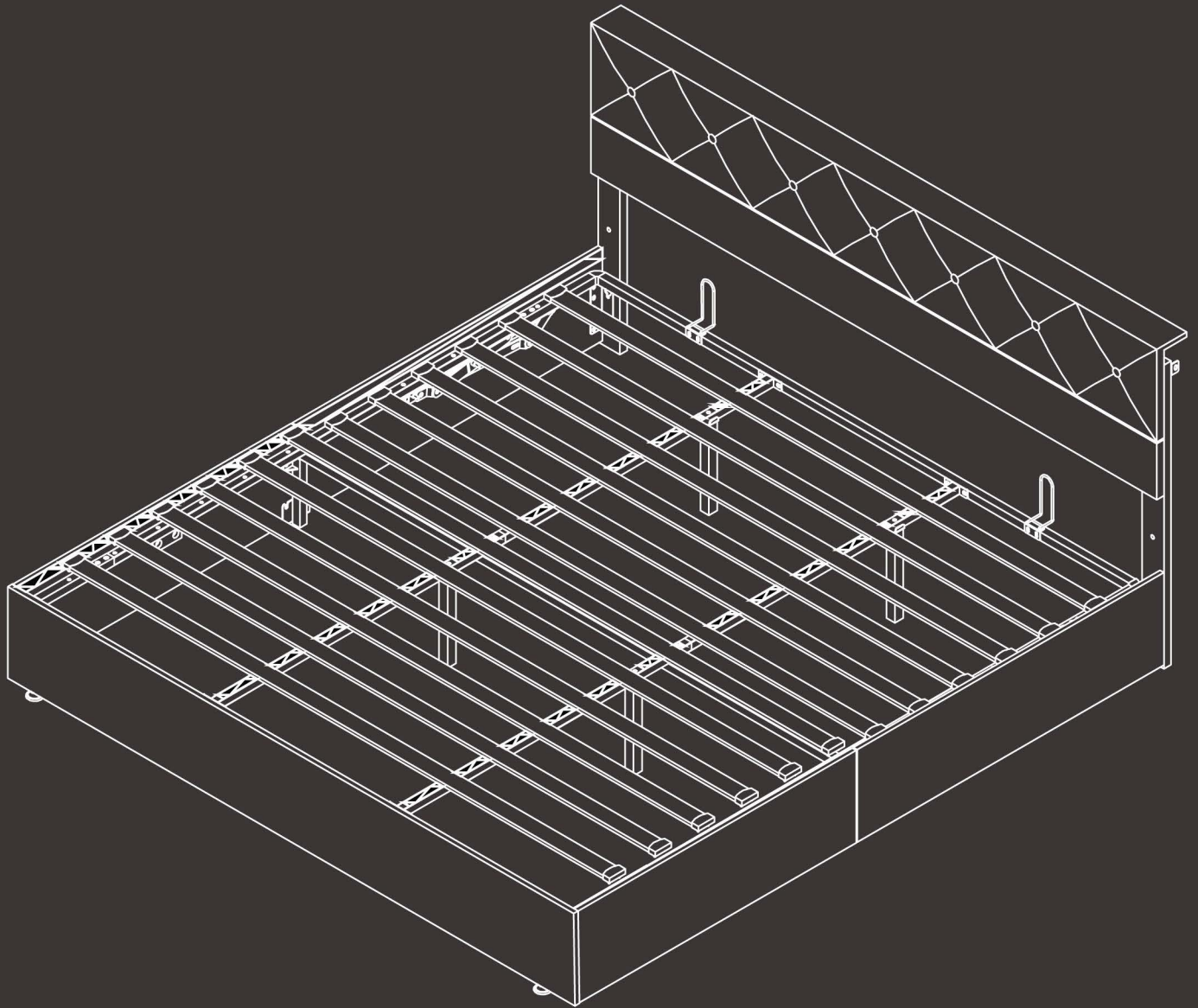


# Lift Up Storage Bed

## Instruction Manual



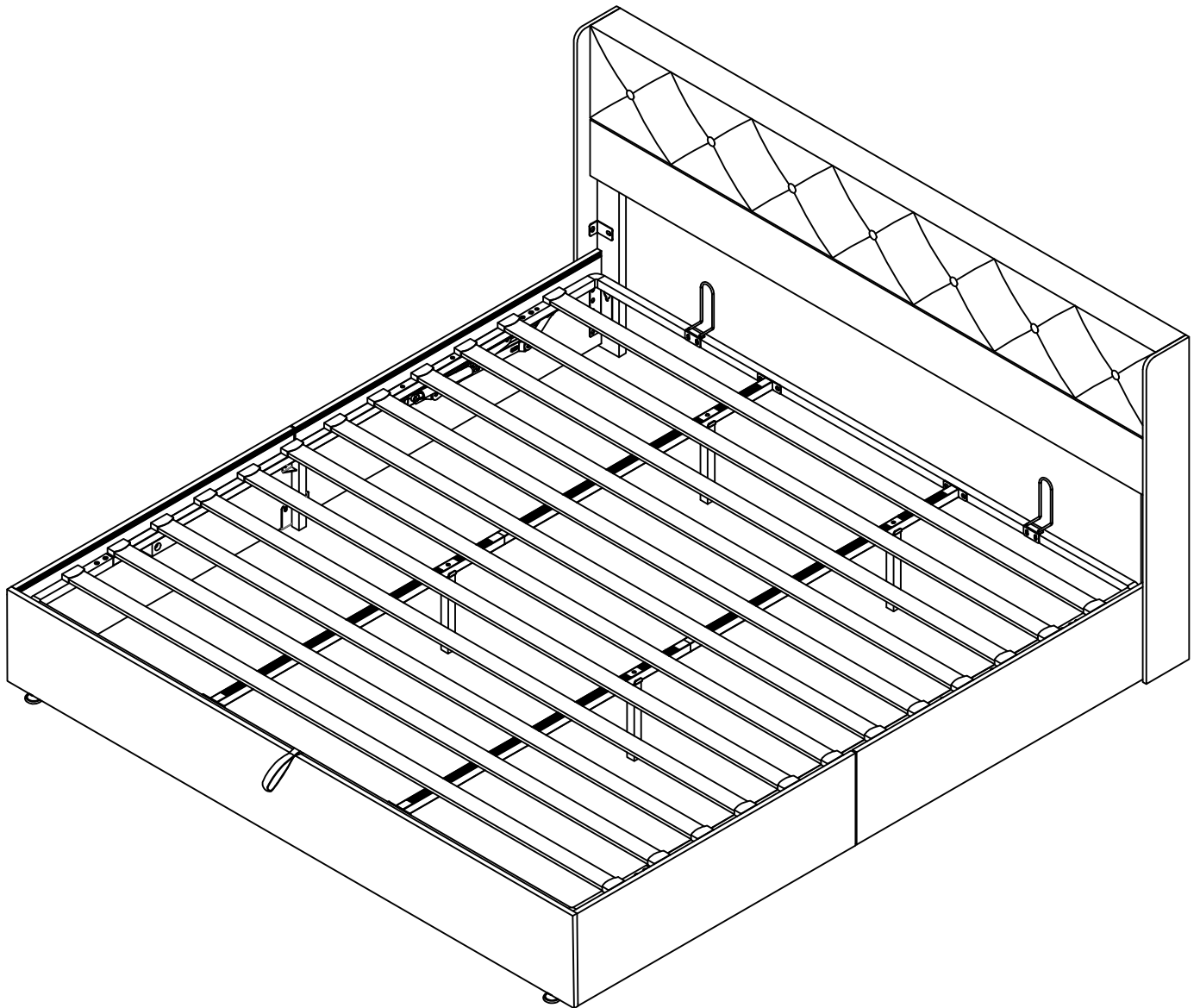
# Installation Manual

Please check that you have all the parts listed before you start assembling. If you find that something is missing, do not continue assembly. Please contact us immediately.

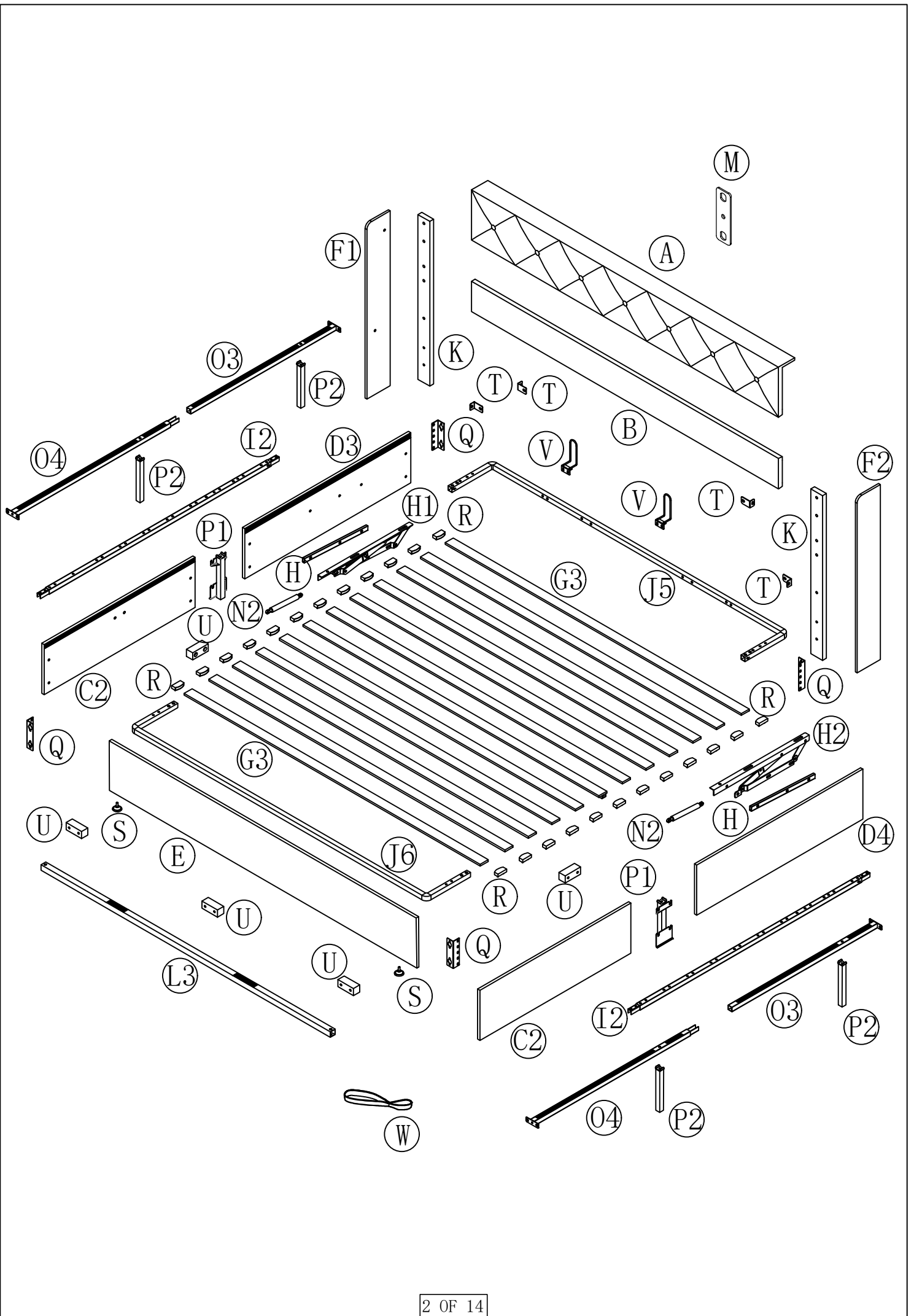
## NOTE:

1. When assembling, please do not fully tighten the screws one by one until you have ensured that all corresponding screws are in the correct positions.
2. The storage function is easier to operate after placing the mattress.

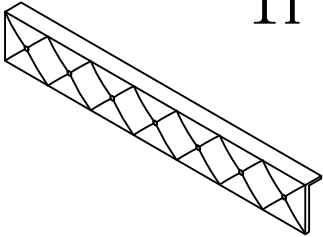
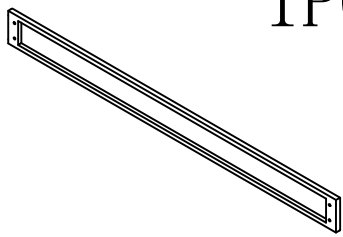
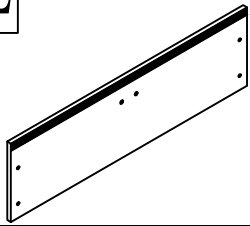
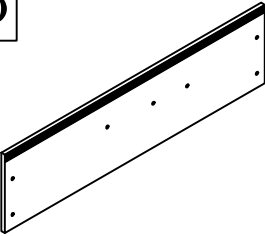
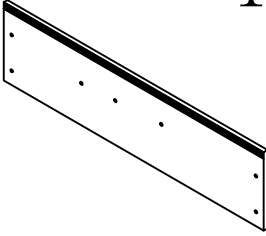
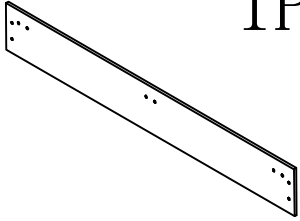


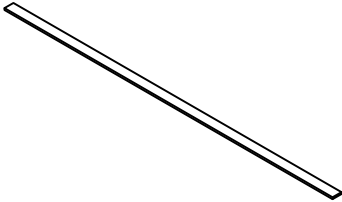
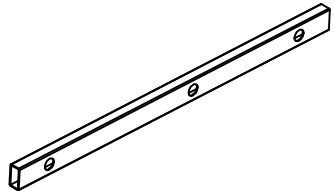
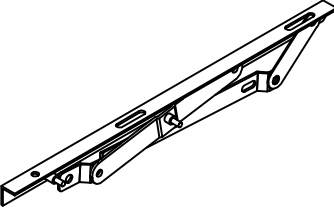
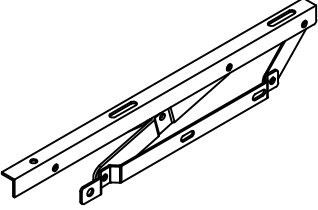
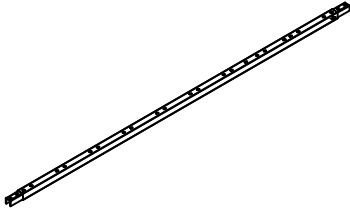
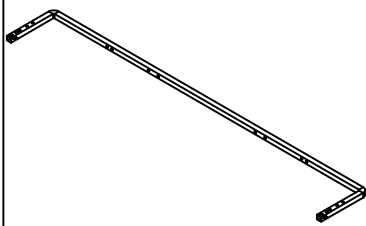
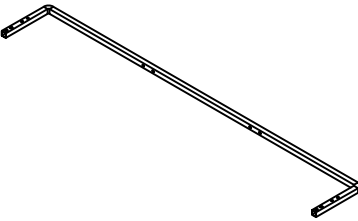

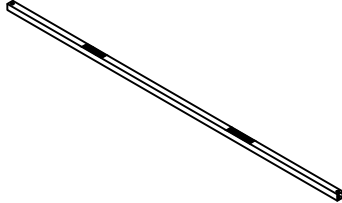
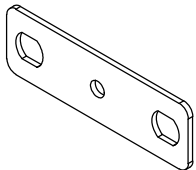
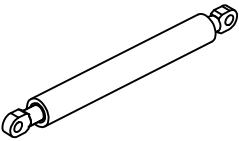
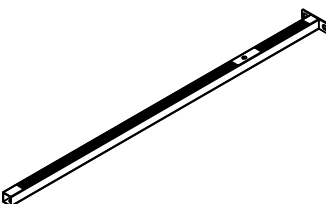
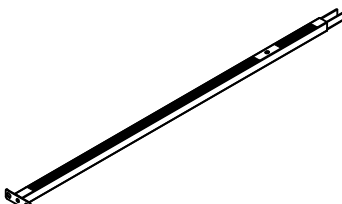

All parts are labeled with letters or alphanumeric codes for easy assembly. If you encounter any problems, please contact us promptly.



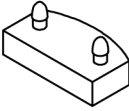
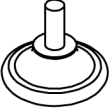
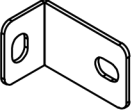
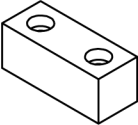
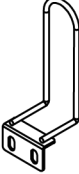



Please install strictly according to the instructions!

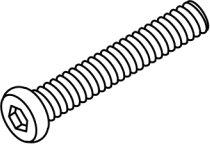
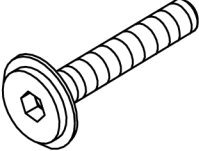
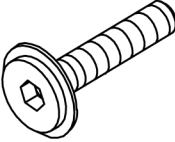
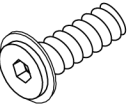
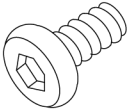

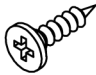
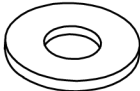

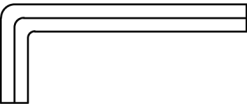
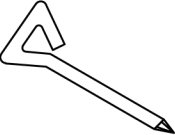
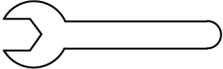


# Part list




<p>A 1PC</p> 	<p>B 1PC</p> 	<p>C2 2PCS</p> 	
<p>D3 1PC</p> 	<p>D4 1PC</p> 	<p>E 1PC</p> 	
<p>F1 1PC</p> 	<p>F2 1PC</p> 	<p>G3 12PCS</p> 	<p>H 2PCS</p> 
<p>H1 1PC</p> 	<p>H2 1PC</p> 	<p>I2 2PCS</p> 	<p>J5 1PC</p> 
<p>J6 1PC</p> 	<p>K 2PCS</p> 	<p>L3 1PC</p> 	<p>M 1PC</p> 
<p>N2 2PCS</p> 	<p>O3 2PCS</p> 	<p>O4 2PCS</p> 	<p>P1 2PCS</p> 

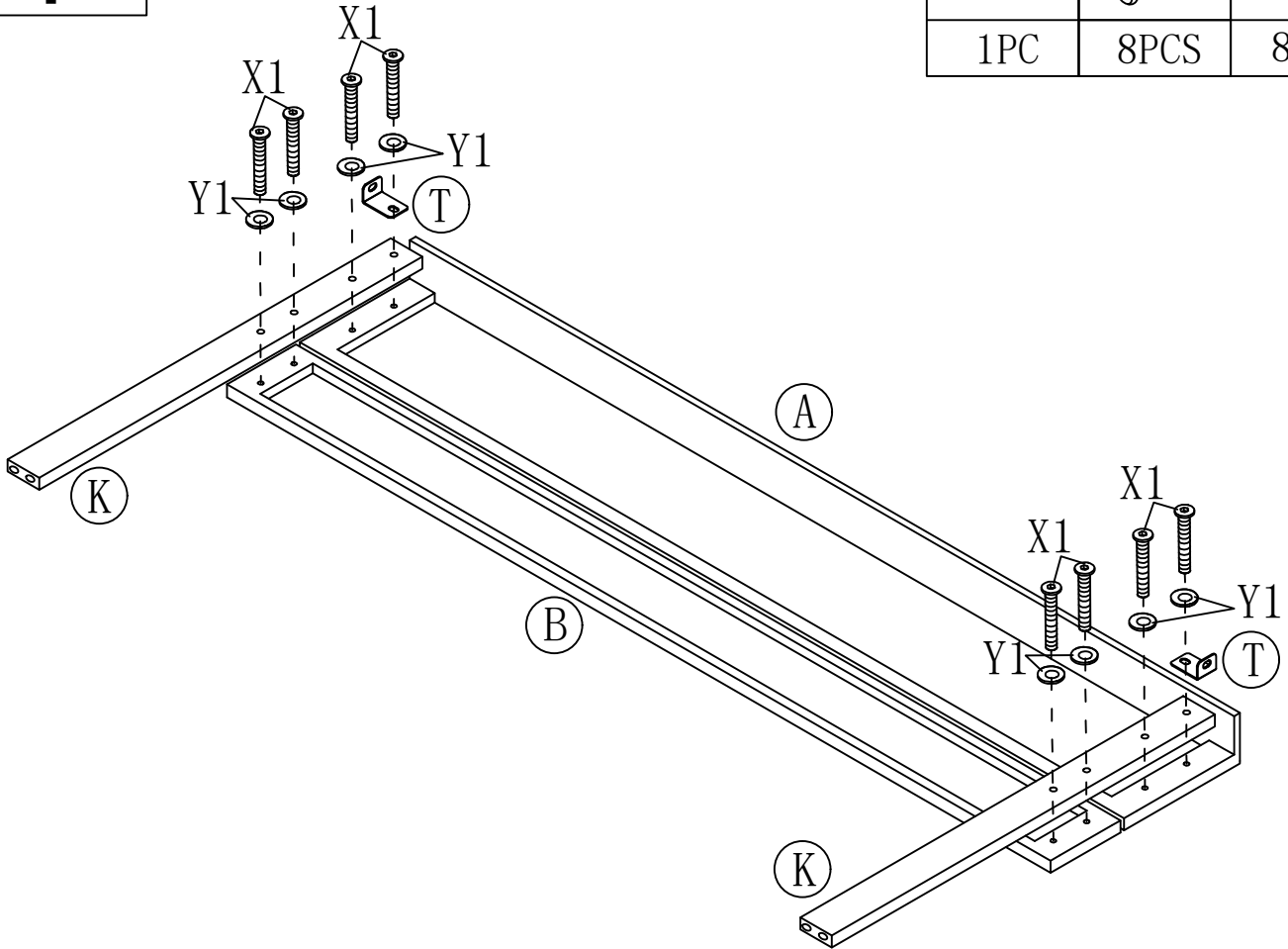
P2	4PCS	Q	4PCS	R	26PCS	S	2PCS
							
T	4PCS	U	5PCS	V	2PCS	W	1PC
							

### Hardware list



X1	8+1PCS	X2	4PCS	X3	18+2PCS	X4	10+1PCS
							
M8*50mm		M8*45mm		M8*40mm		M8*30mm	
X5	42+3PCS	X6	8+1PCS	X7	2PCS	Y1	8+1PCS
							
M8*16mm		M8*14mm		M4*16mm		22* 8.5	
Y2	10+1PCS	Z1	1PC	Z2	1PC	Z3	1PC
							
M8		M5		M5		M13	

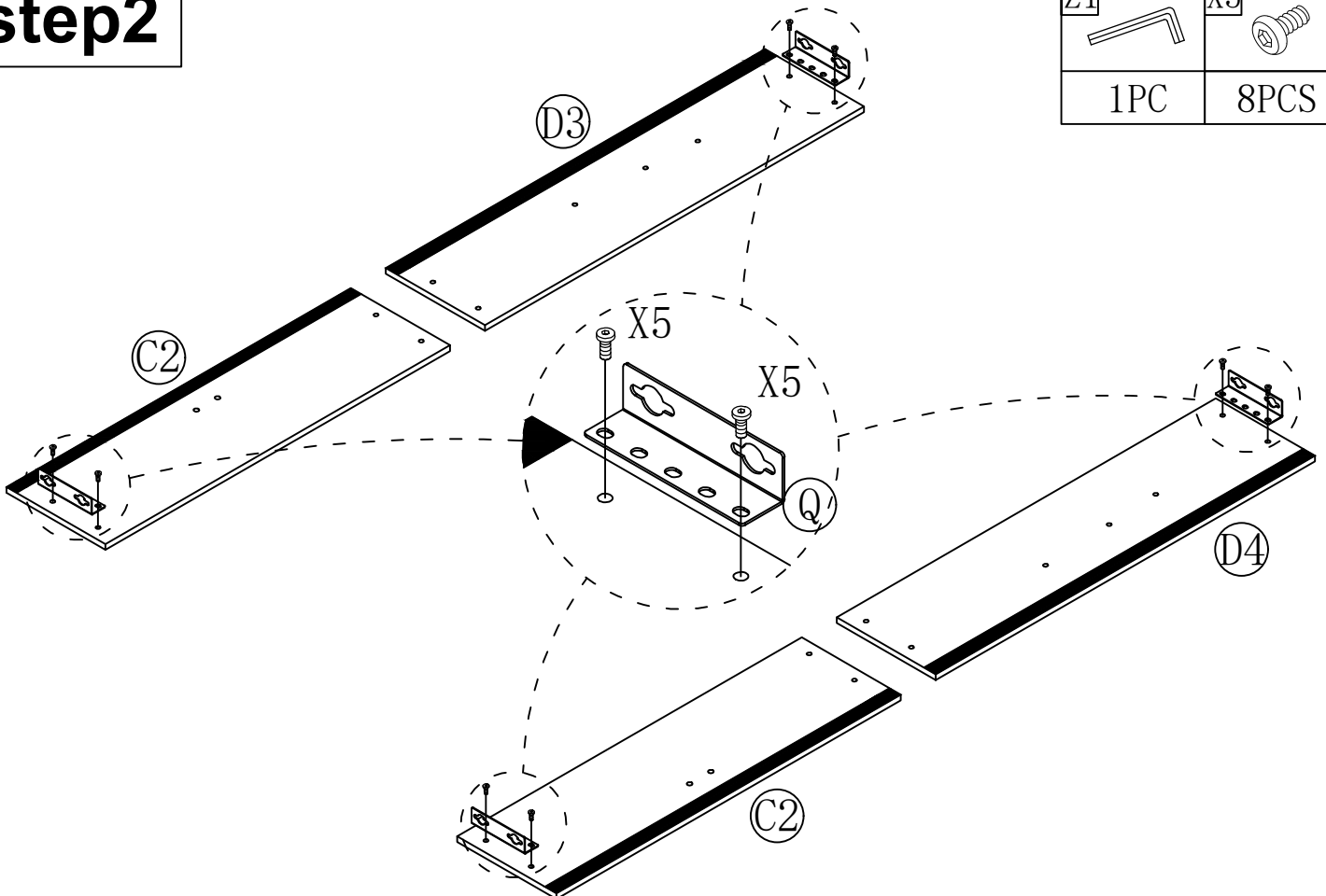
# step1

Z1		X1		Y1	
	1PC		8PCS		8PCS



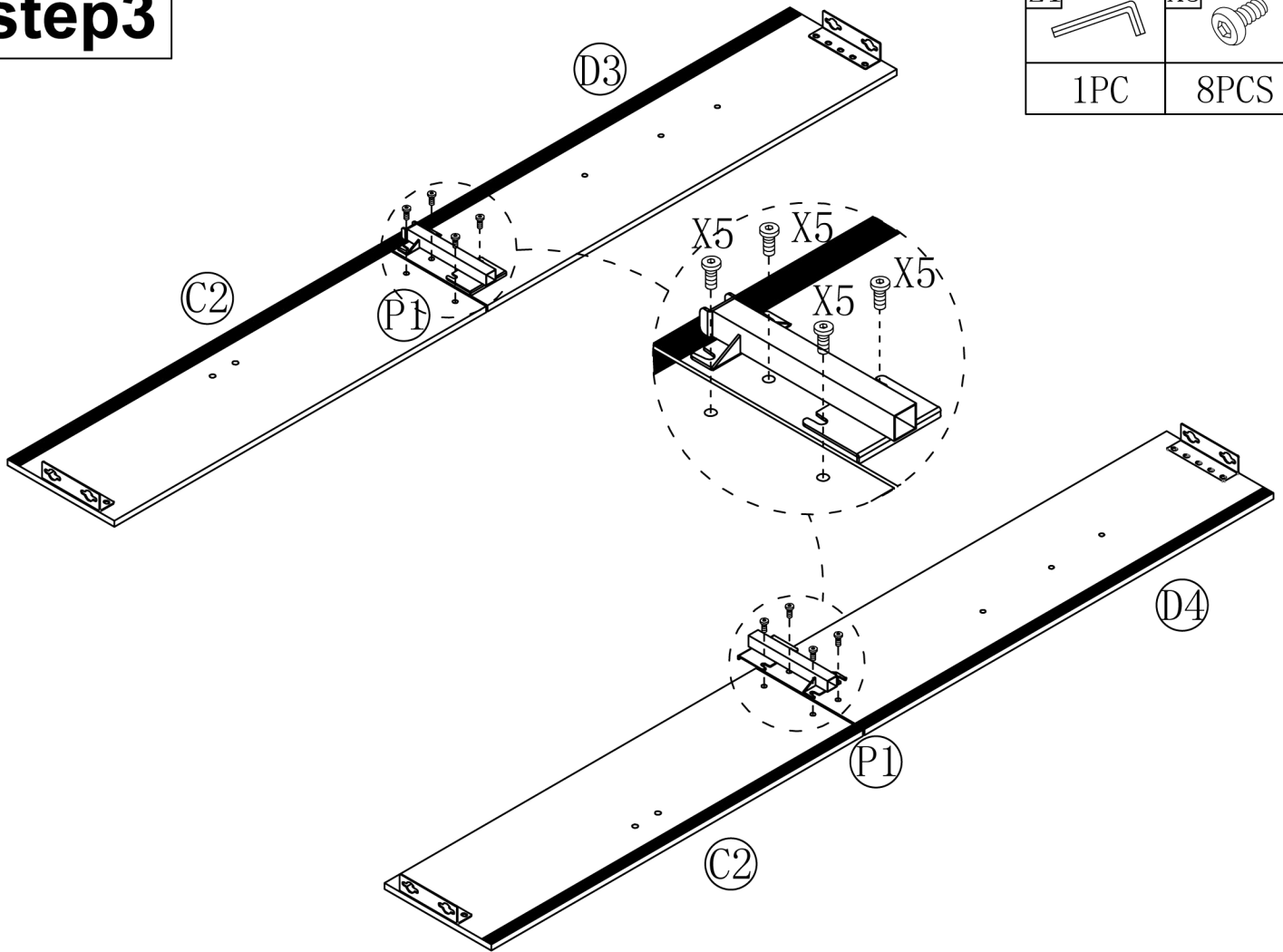
# step2

Z1		X5	
	1PC		8PCS



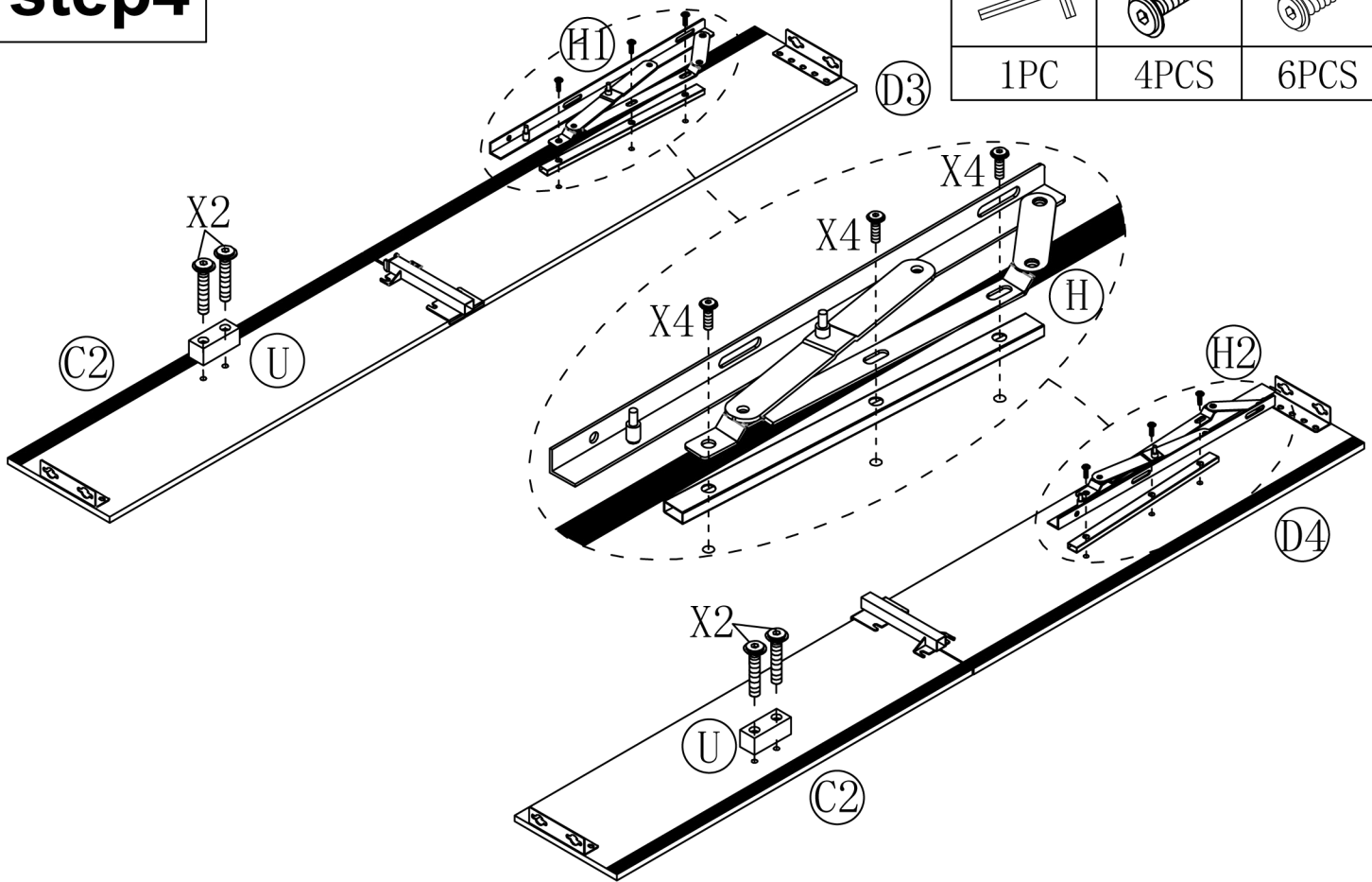
# step3

Z1	X5
1PC	8PCS






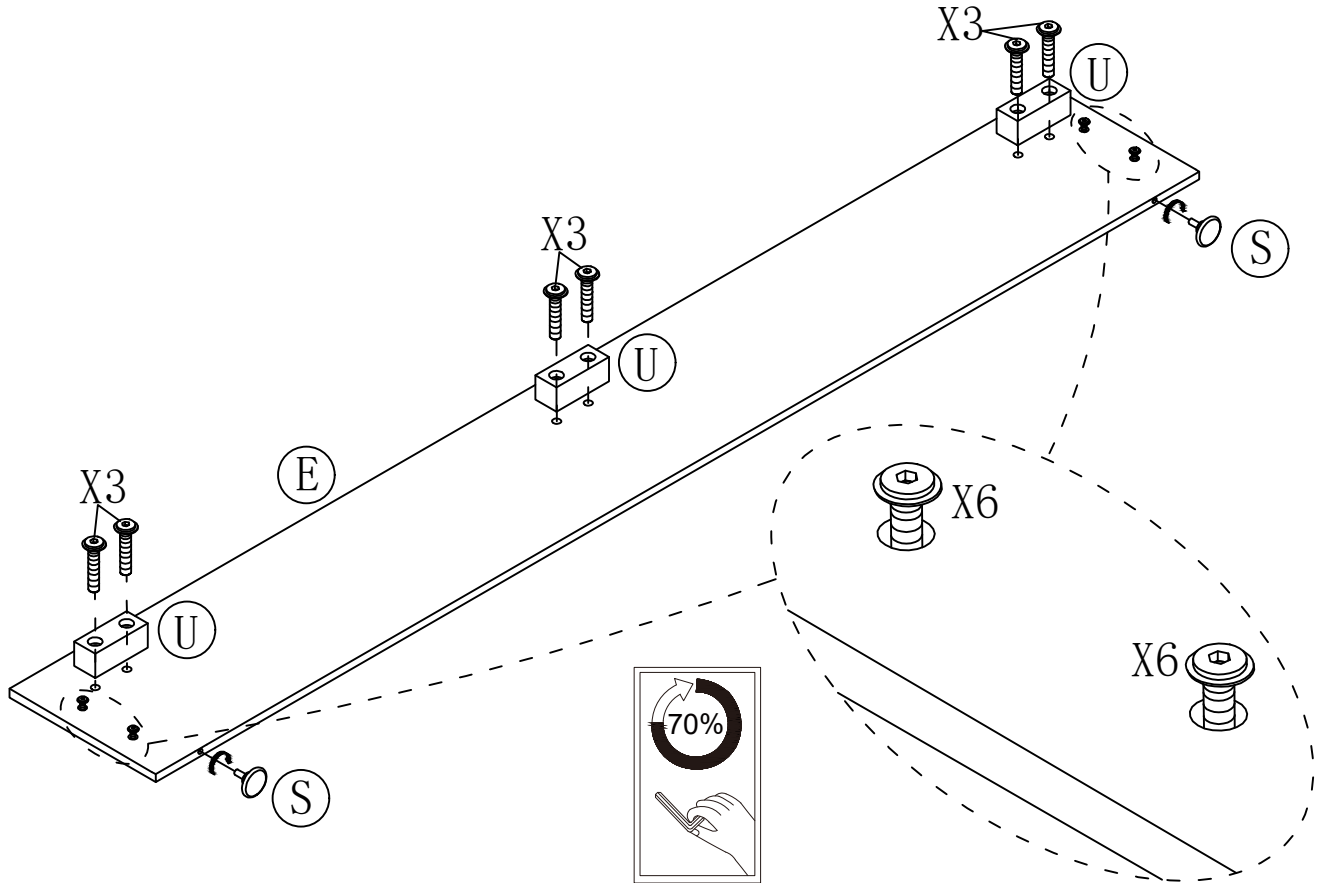
# step4

Z1	X2	X4
1PC	4PCS	6PCS


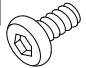


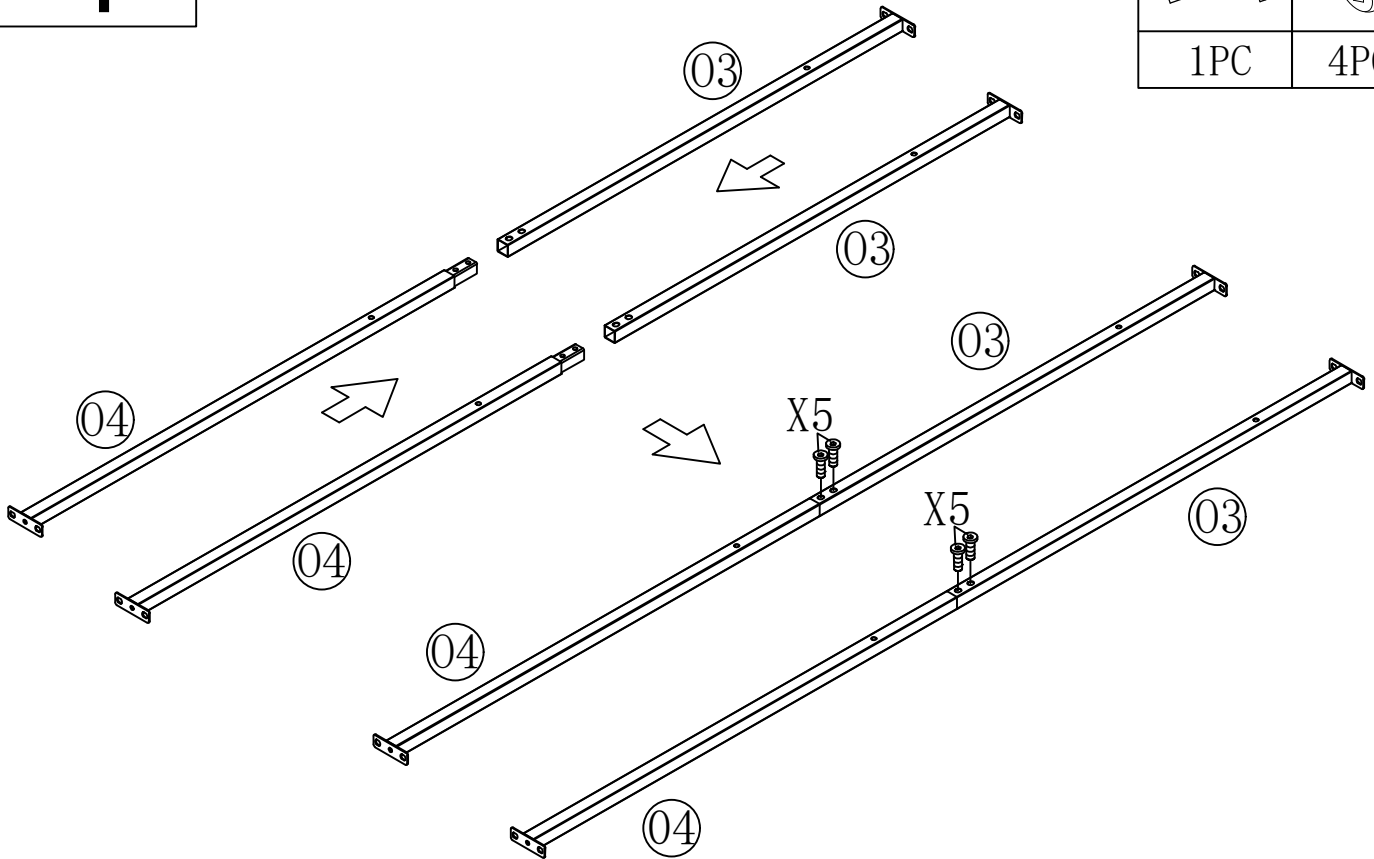
# step5

Z1	X3	X6
		
1PC	6PCS	4PCS

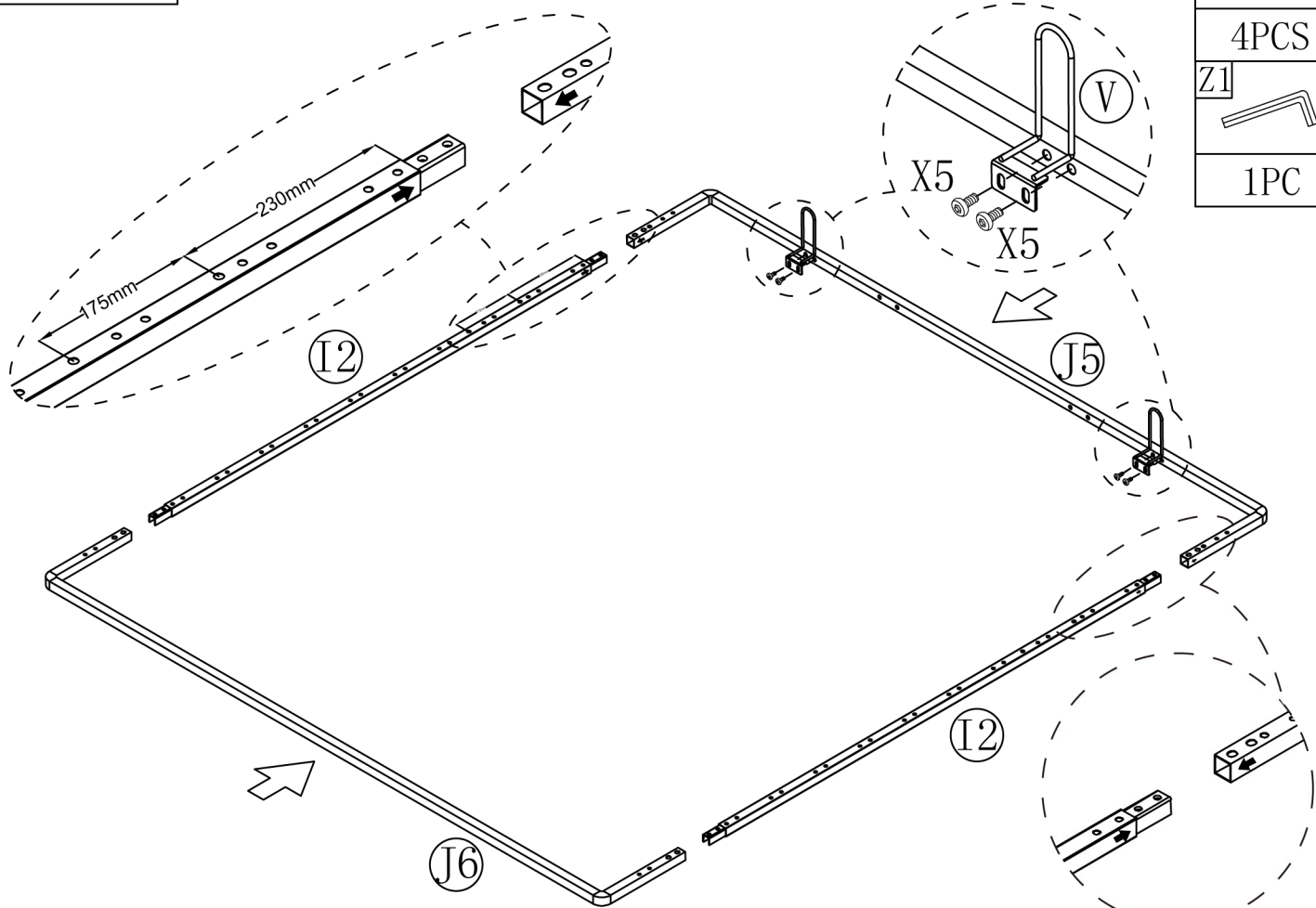


# step6

Z1	X5
	
1PC	4PCS

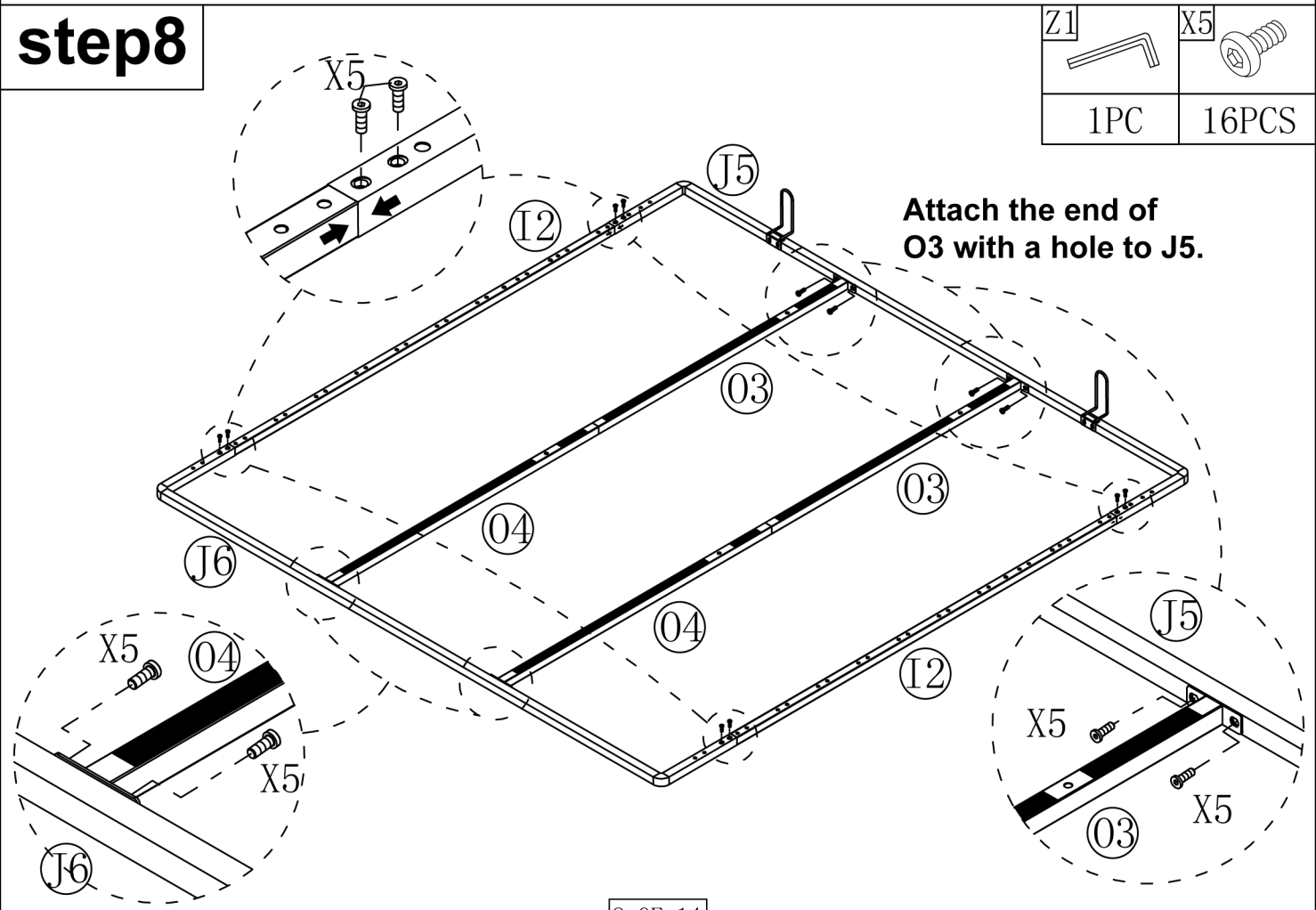


# step7



X5	
4PCS	
Z1	
1PC	

# step8

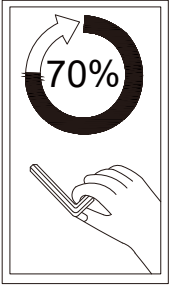


Z1		X5	
1PC		16PCS	

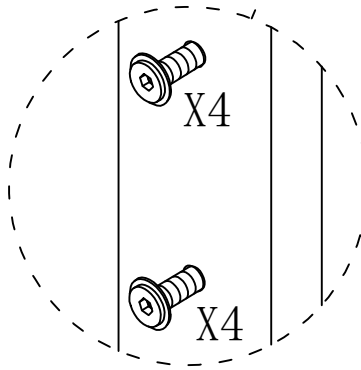
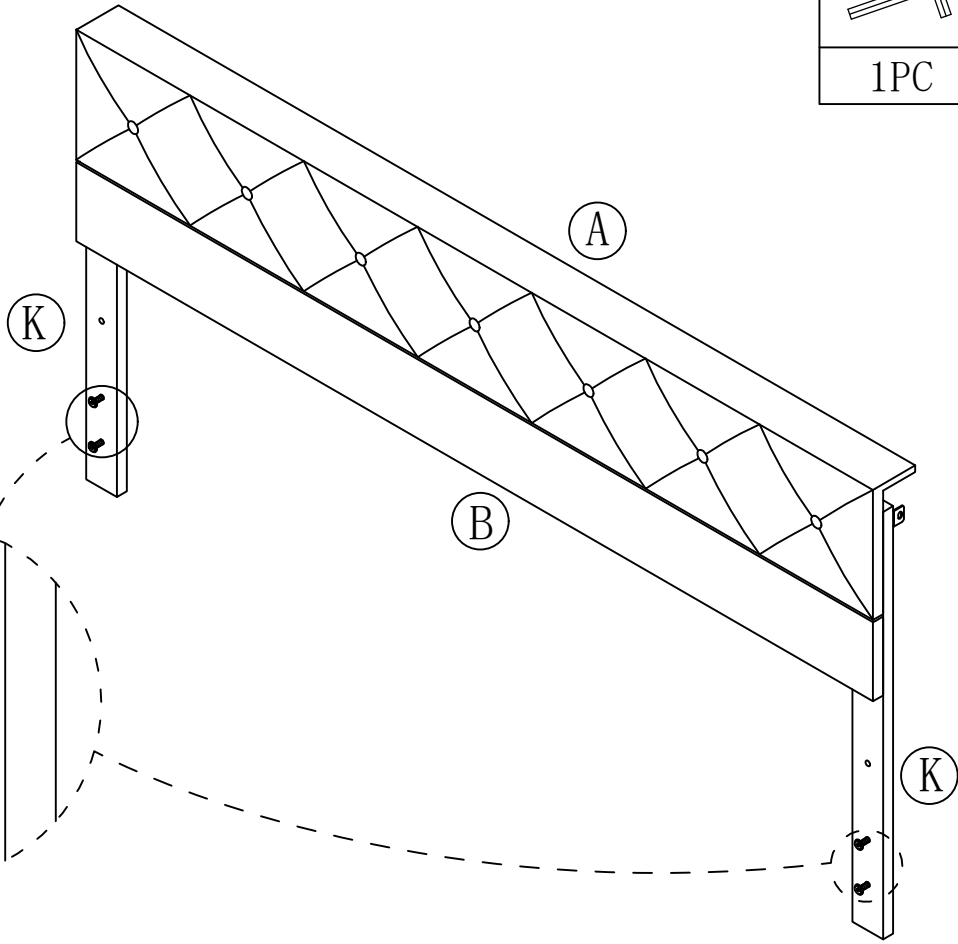
Attach the end of O3 with a hole to J5.

# step9

Z1	X4
1PC	4PCS

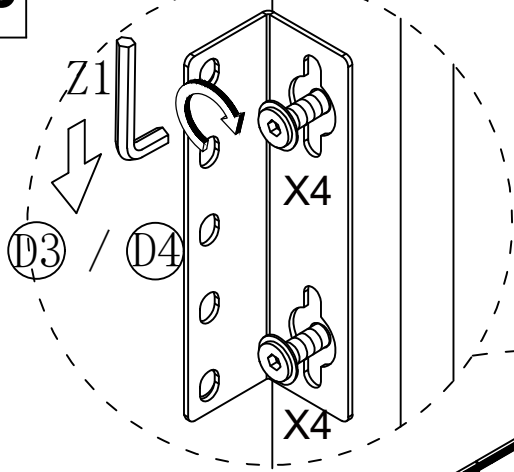


Tighten the X4 screws by 70%

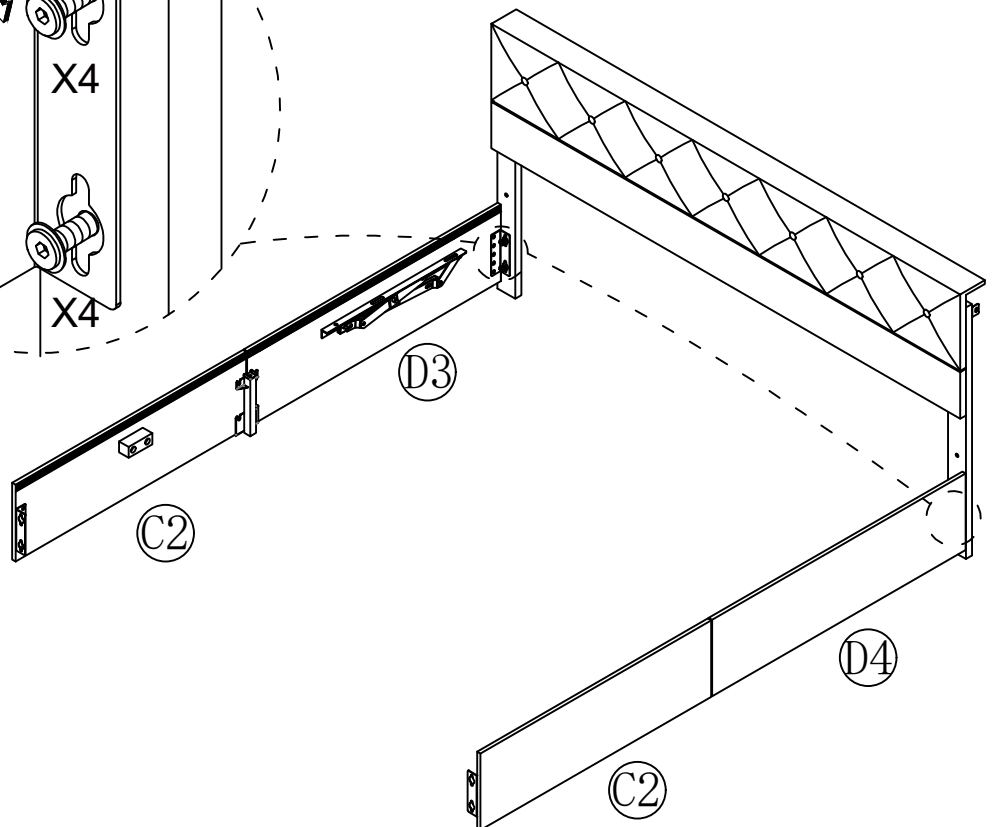


# step10

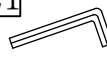


Z1
1PC

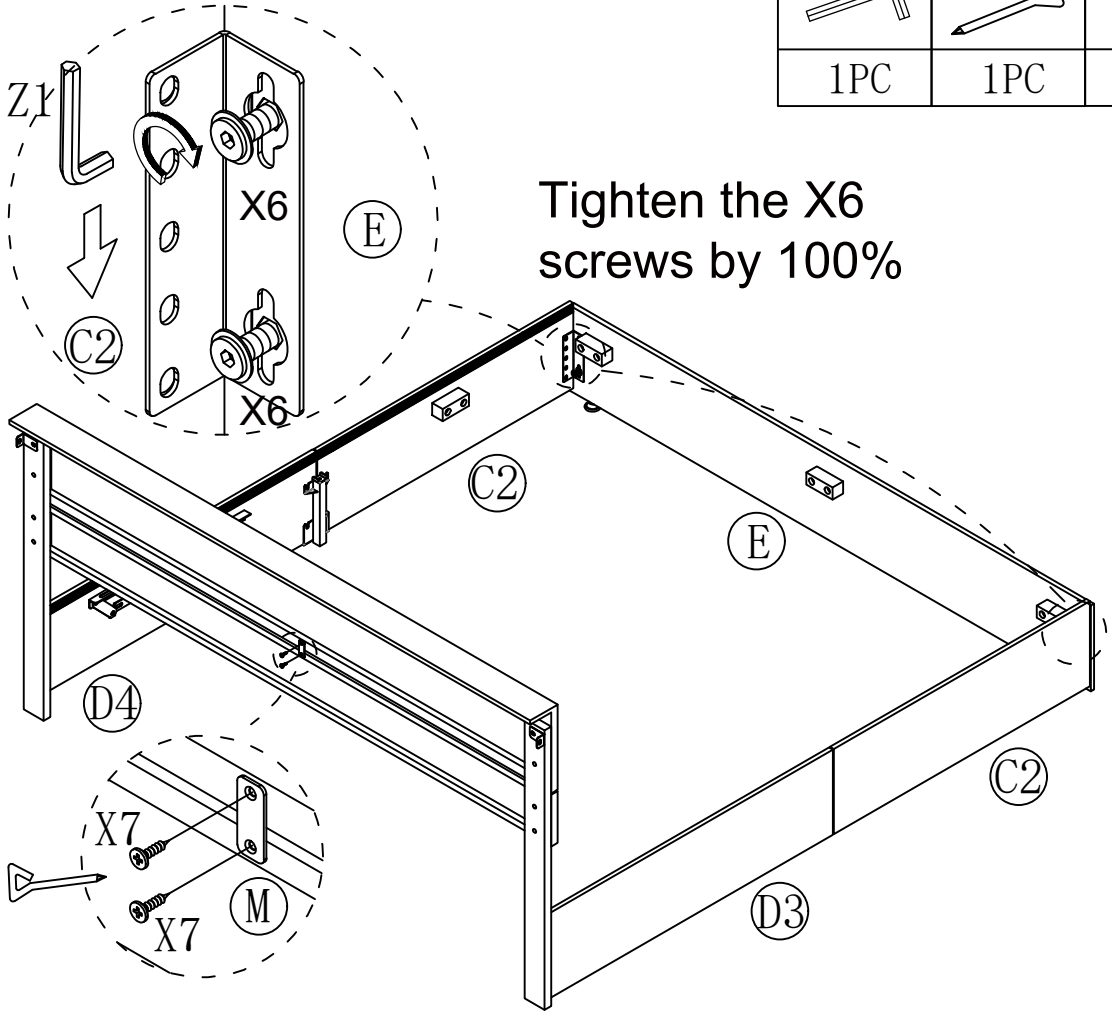


Tighten the X4 screws by 100%

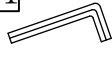



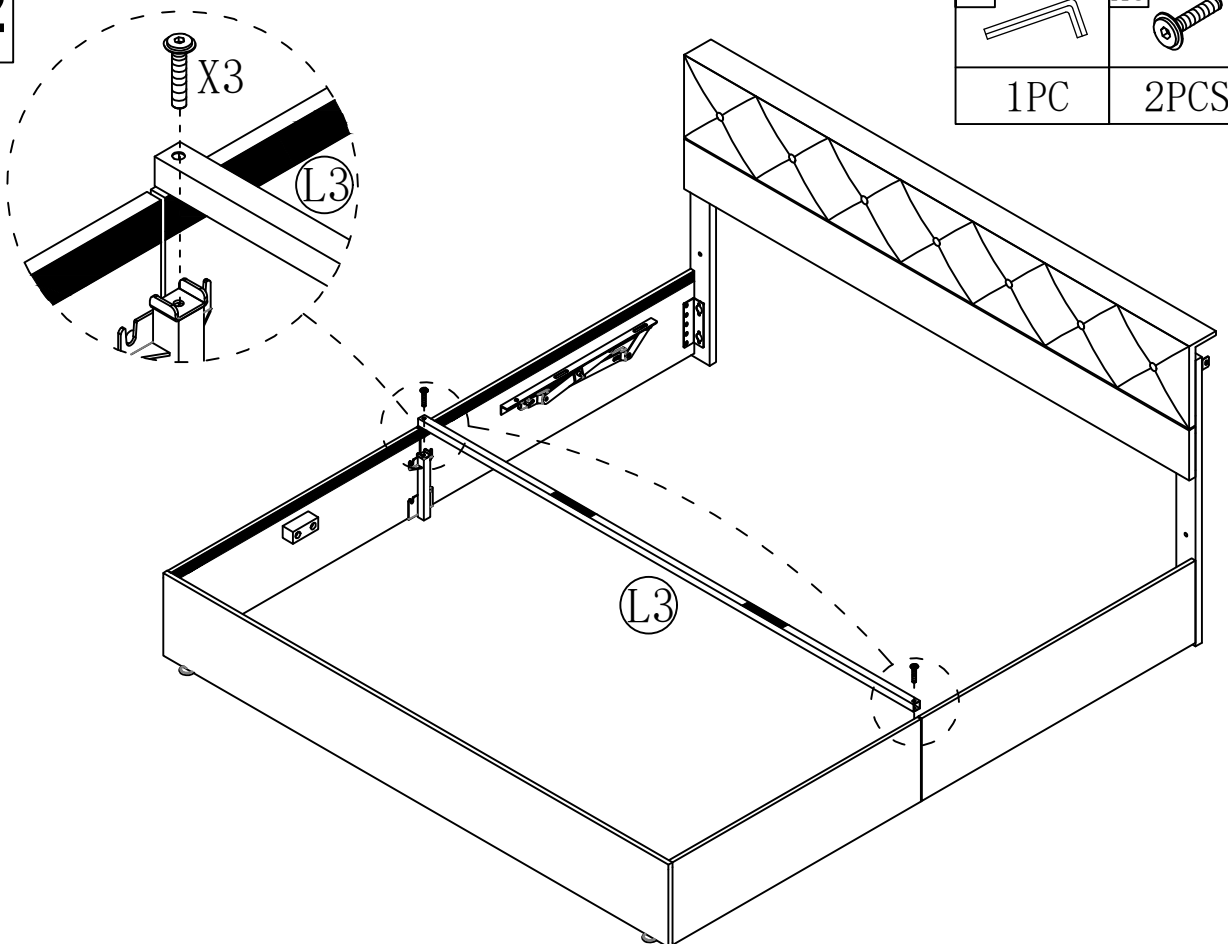
# step11

Z1	Z2	X7
		
1PC	1PC	2PCS





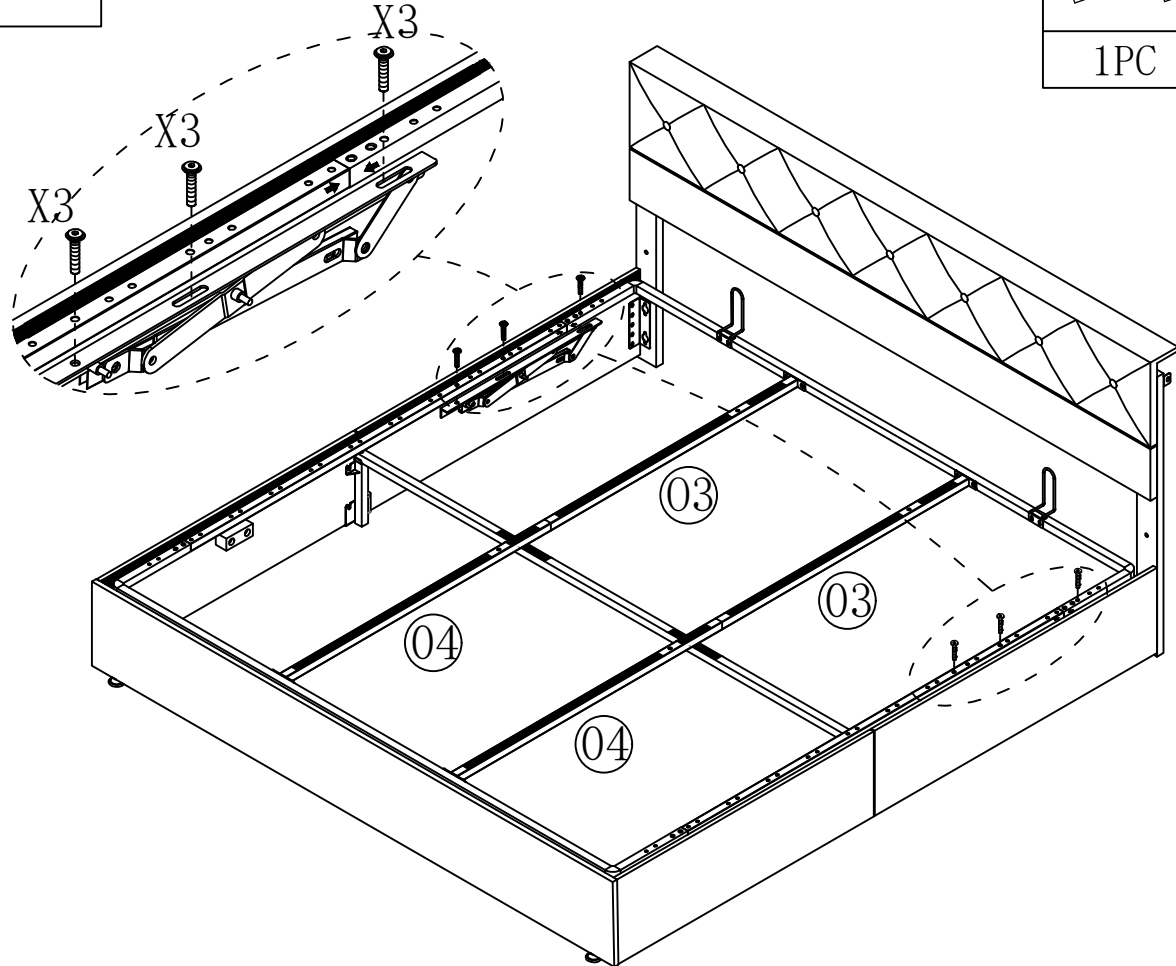
# step12

Z1	X3
	
1PC	2PCS

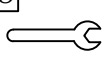



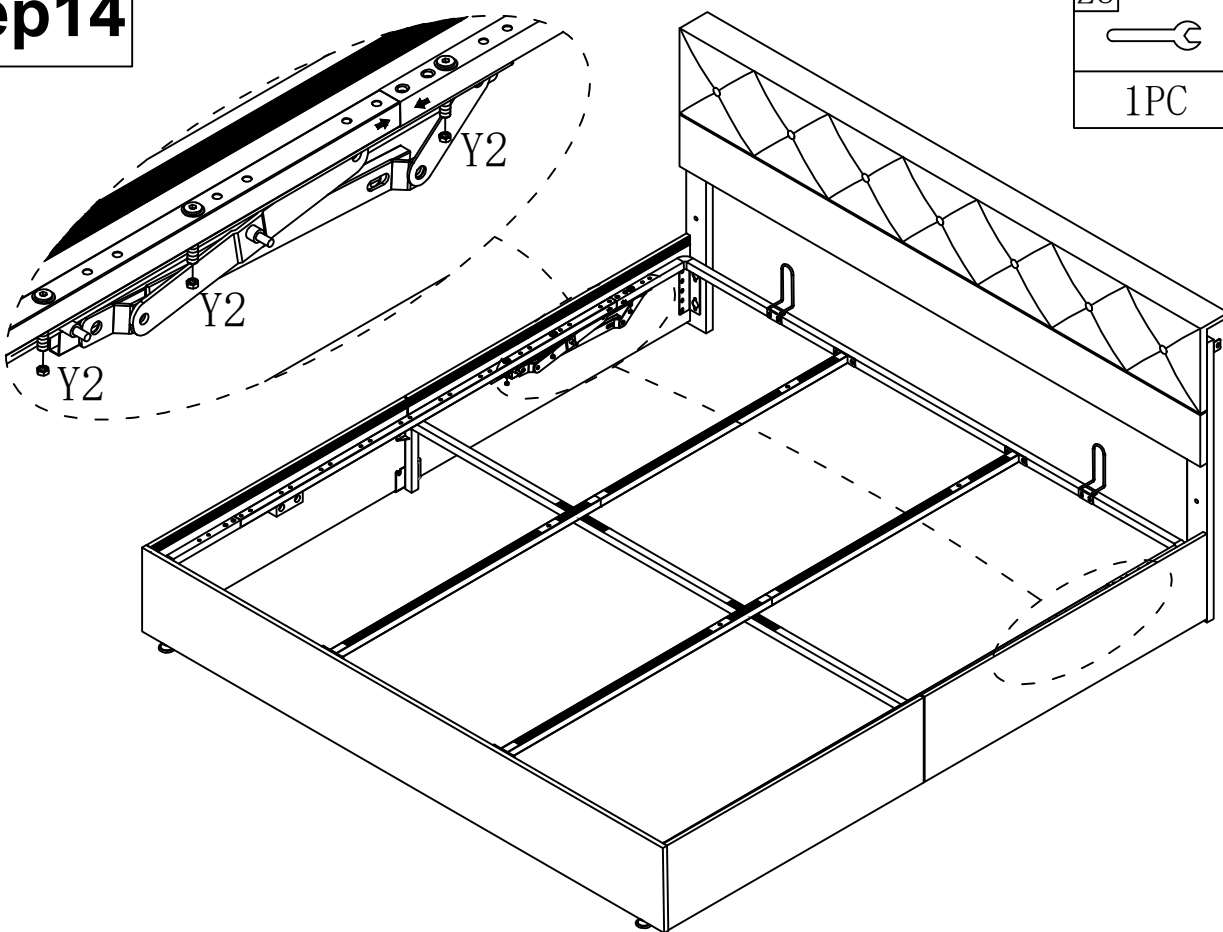
# step13

Z1	X3
	
1PC	6PCS





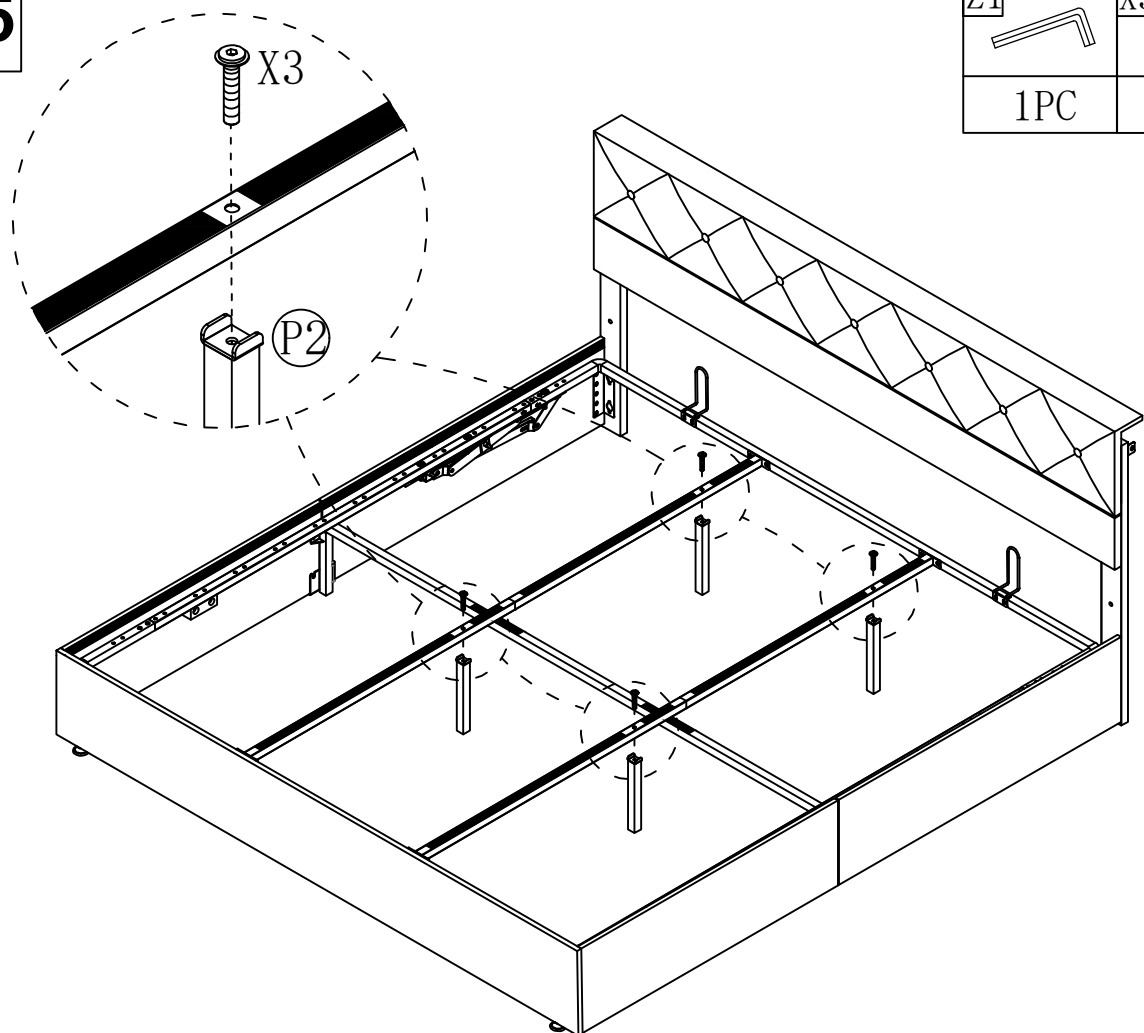
# step14

Z3	Y2
	
1PC	6PCS

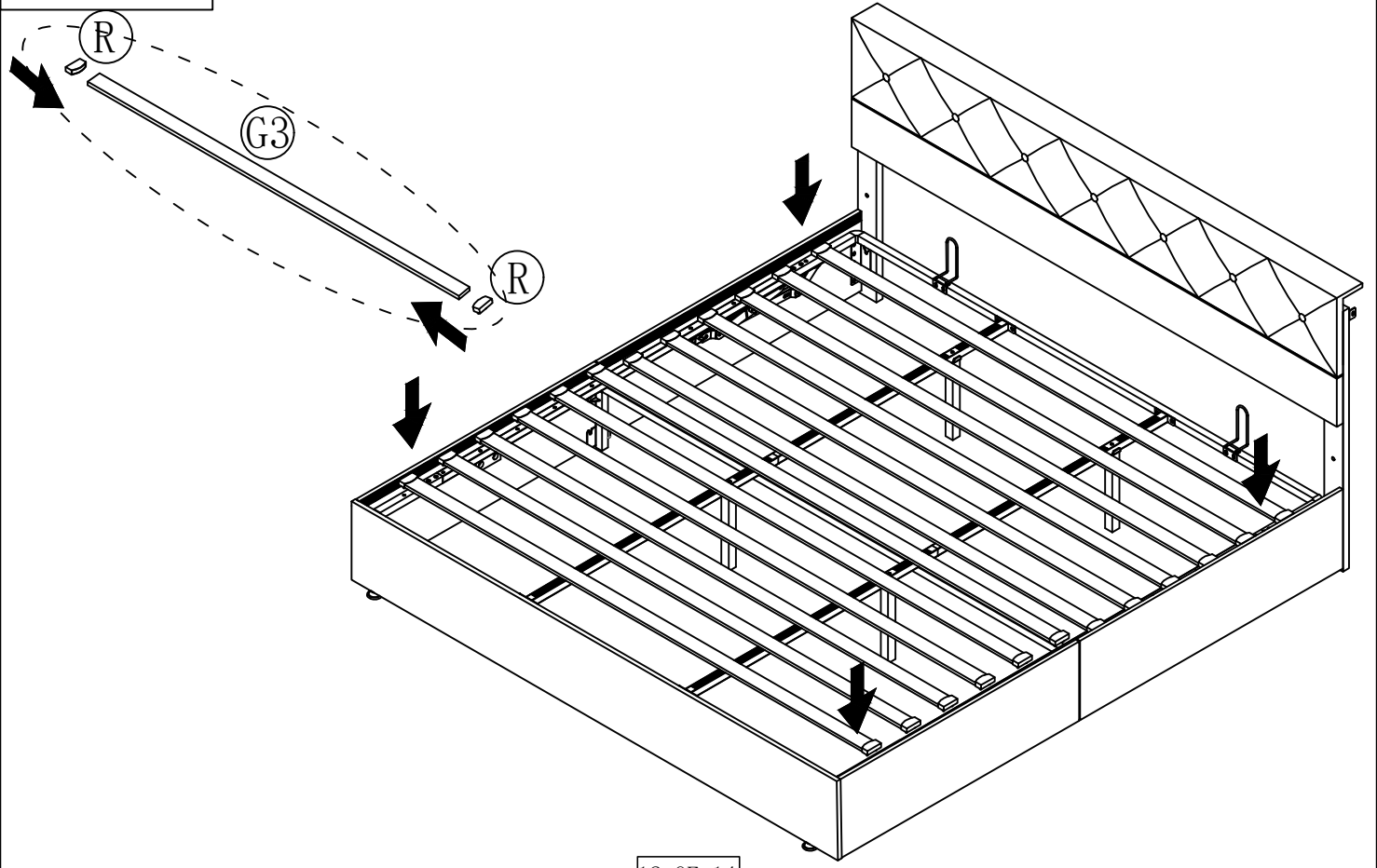


# step15

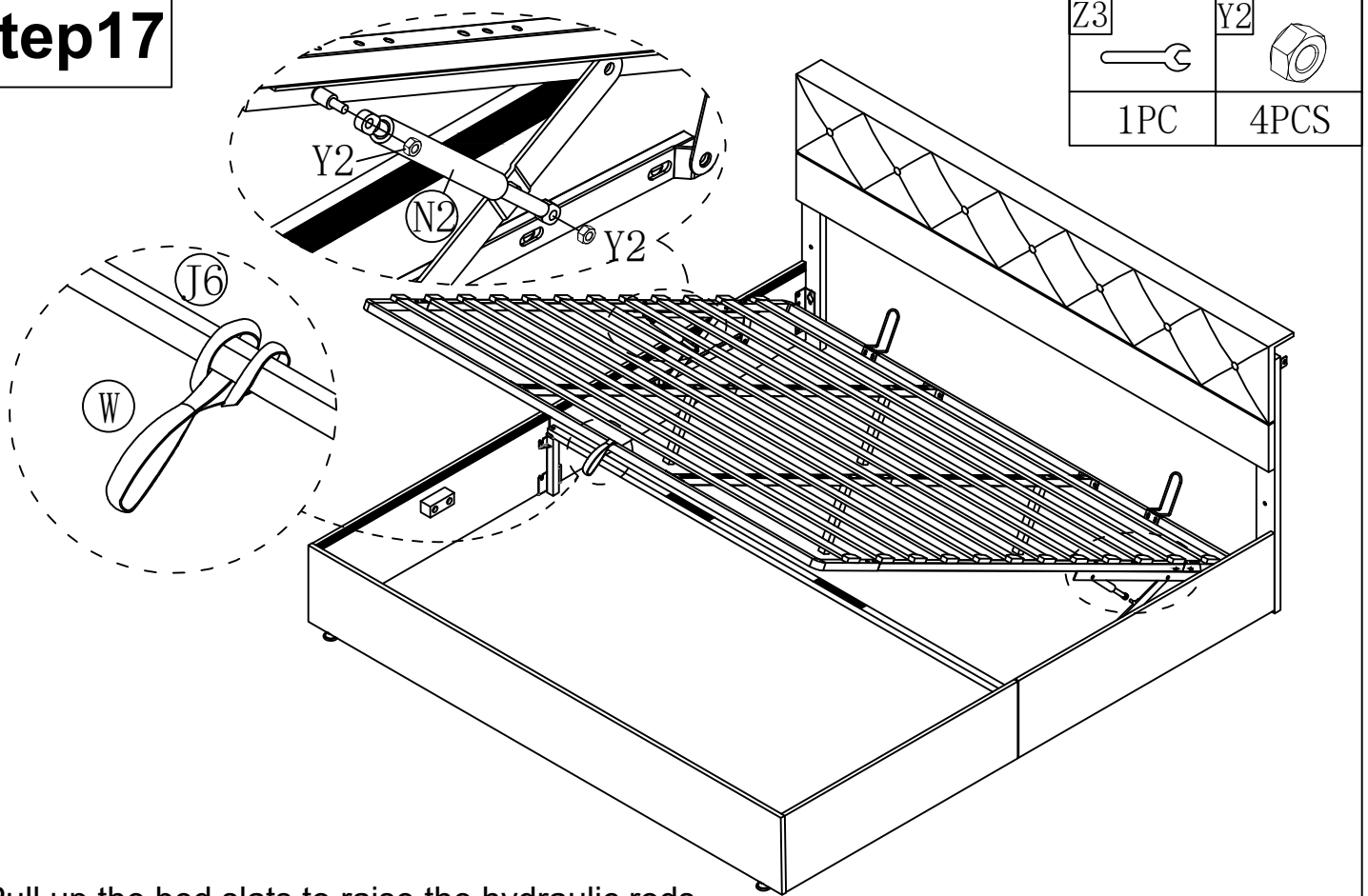
Z1	X3
	
1PC	4PCS



# step16



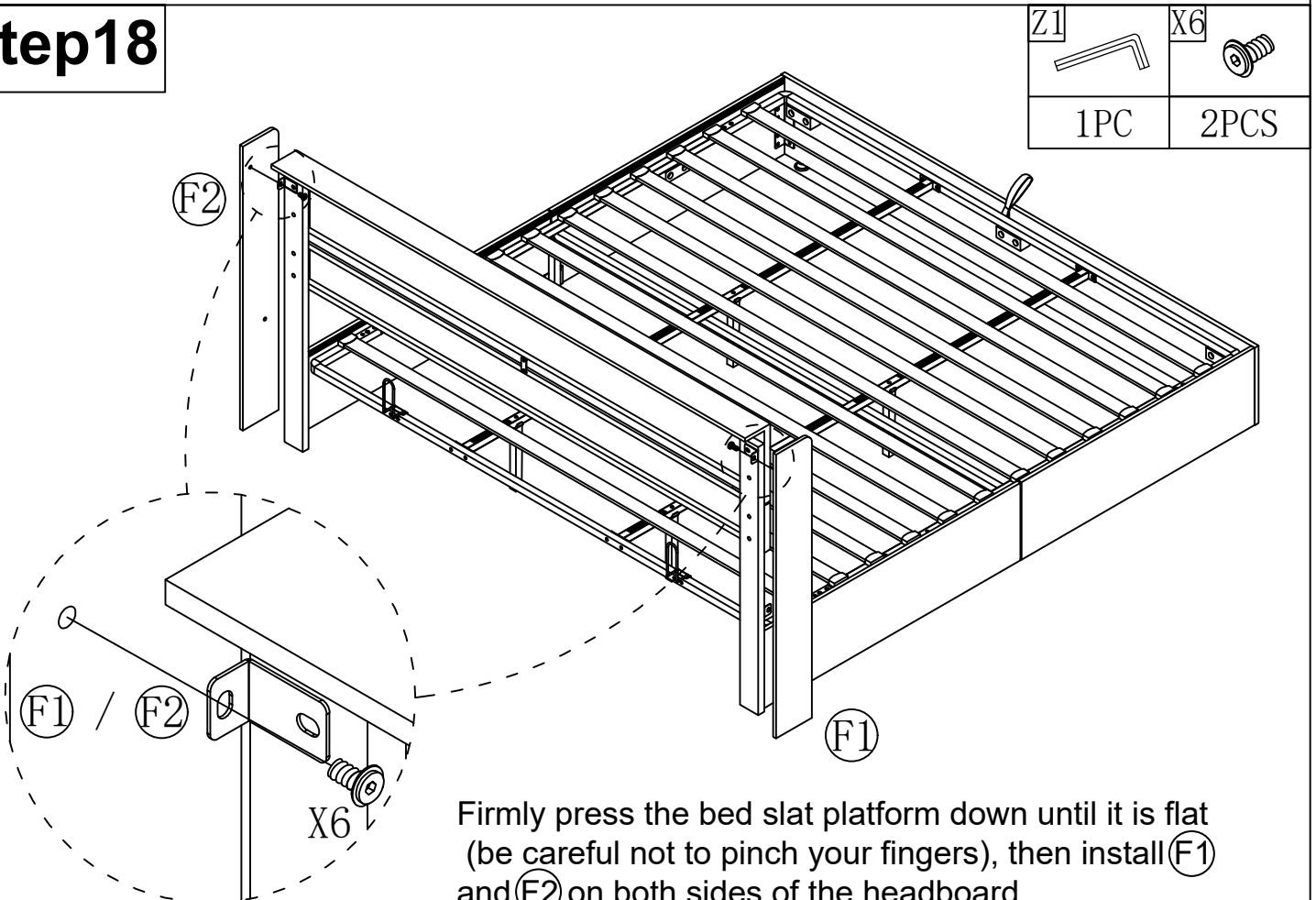
# step17



Pull up the bed slats to raise the hydraulic rods (being careful not to hit your head), then tie strap (W) in place.




NOTE: You can pull strap (W) to raise the hydraulic rods after placing the mattress.

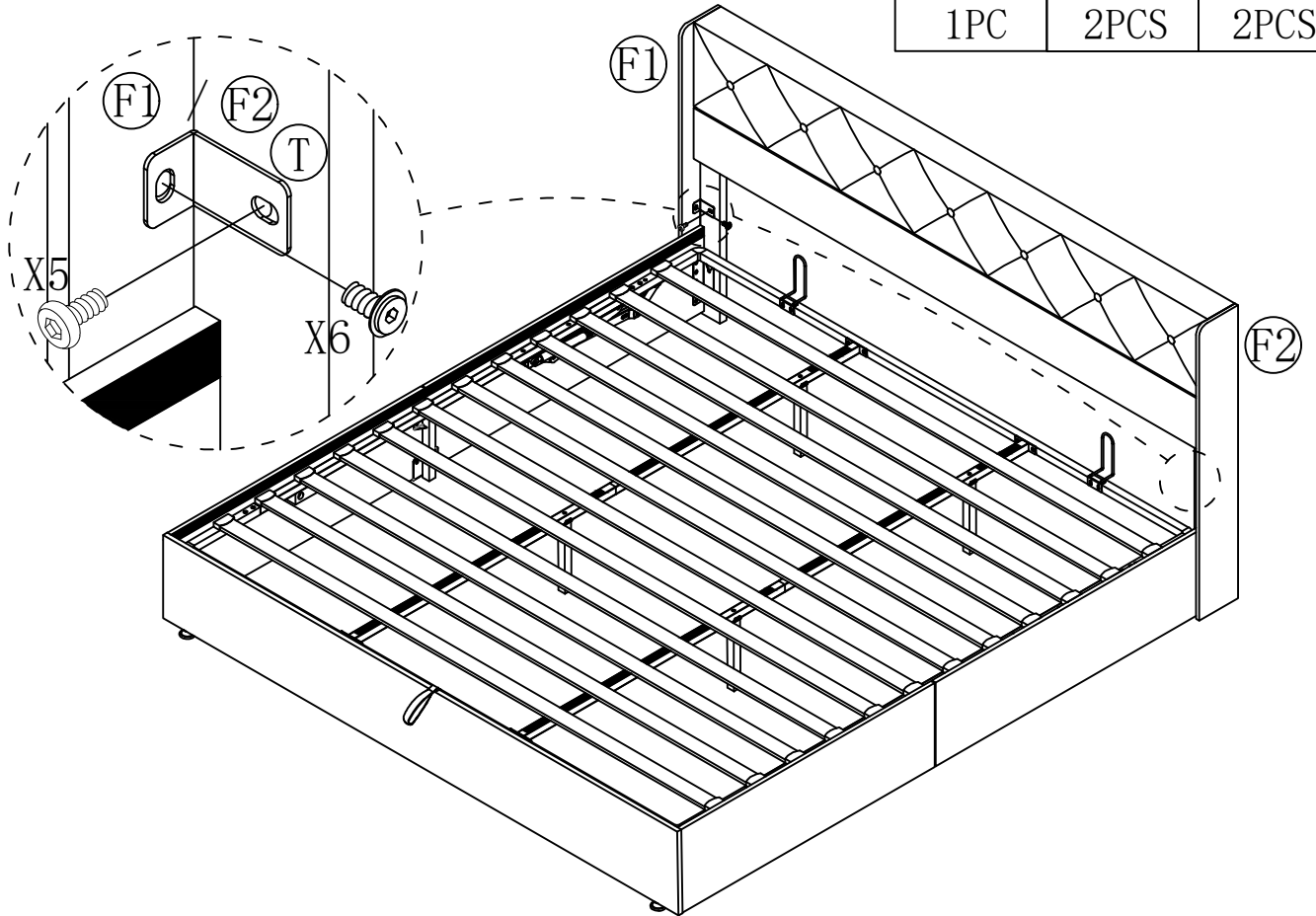
# step18



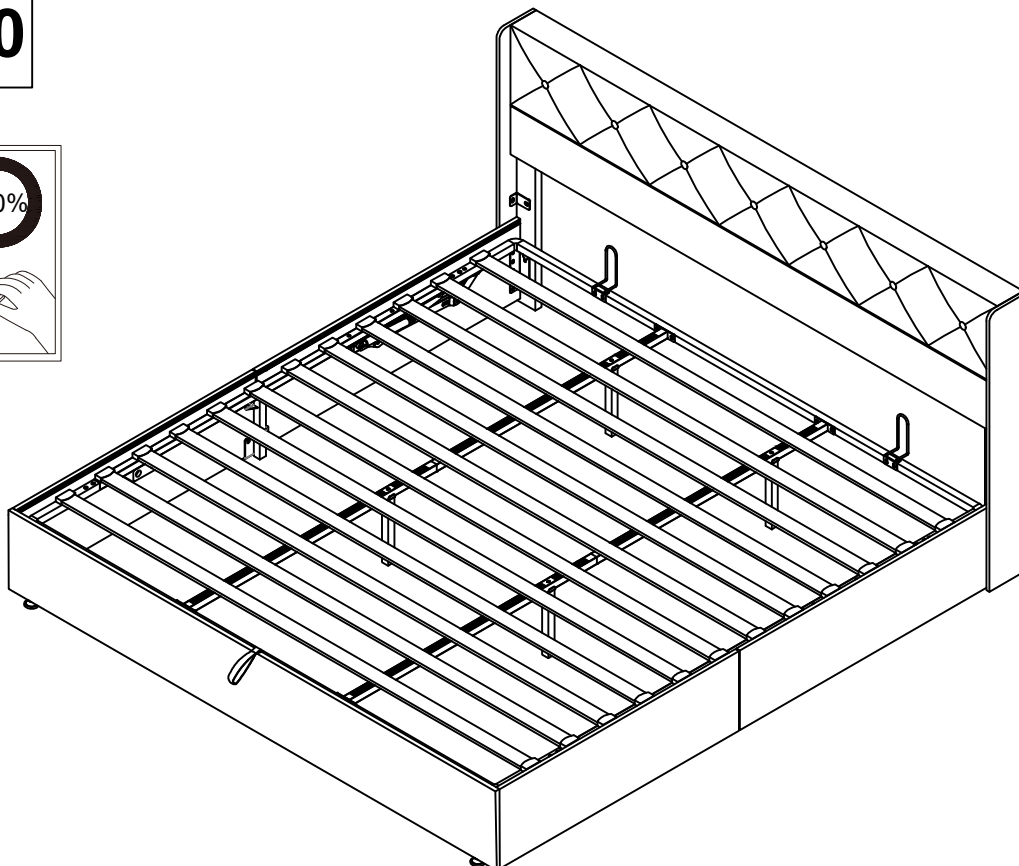
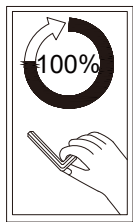
Firmly press the bed slat platform down until it is flat (be careful not to pinch your fingers), then install (F1) and (F2) on both sides of the headboard.

# step19

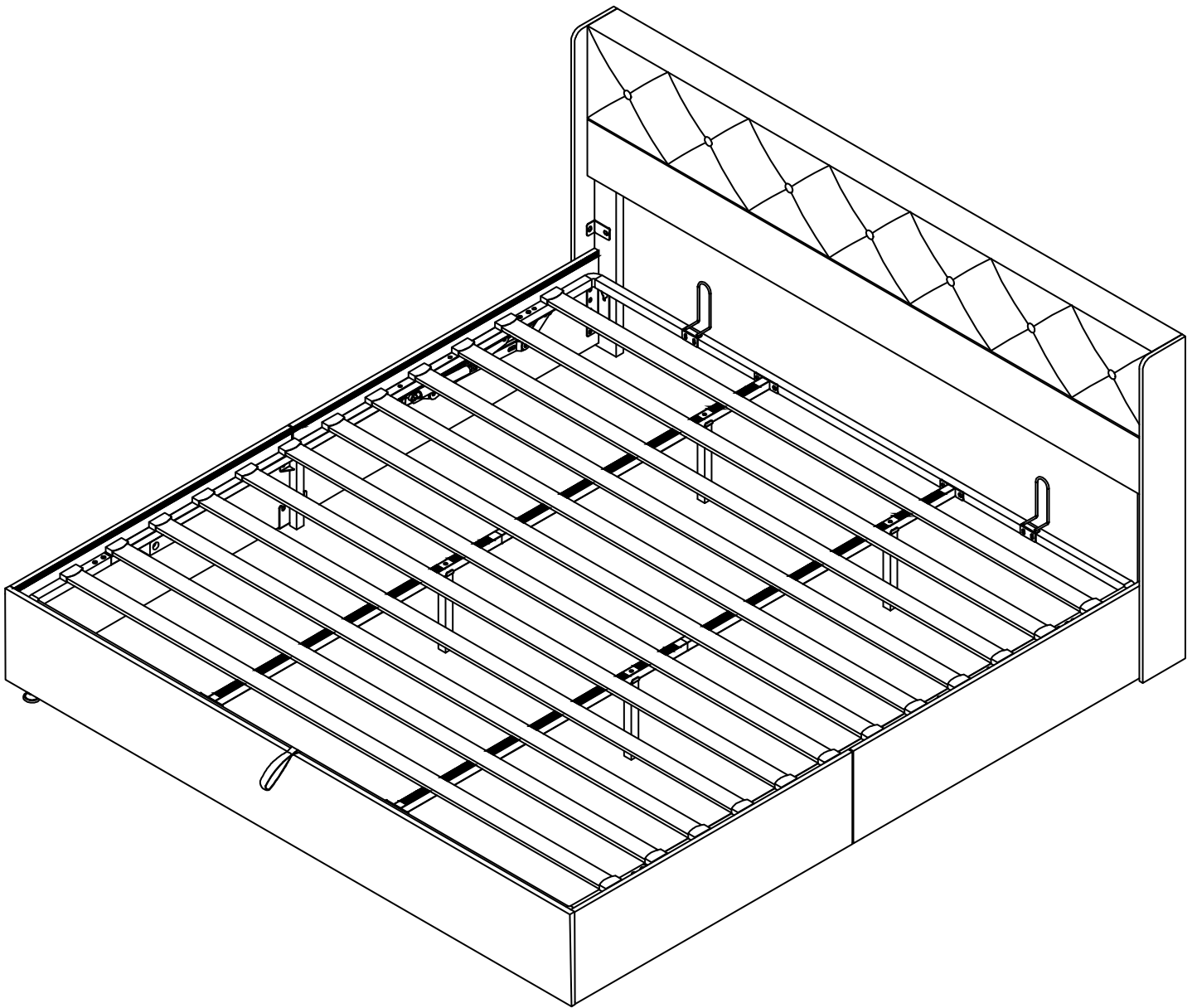
Z1		X5		X6	
	1PC		2PCS		2PCS



# step20



Installation complete! Please tighten all bolts by 100% .



Thank you for choosing this product. We strive to provide you with the best quality products and services in the industry. Should you have any issues, please don't hesitate to contact us.