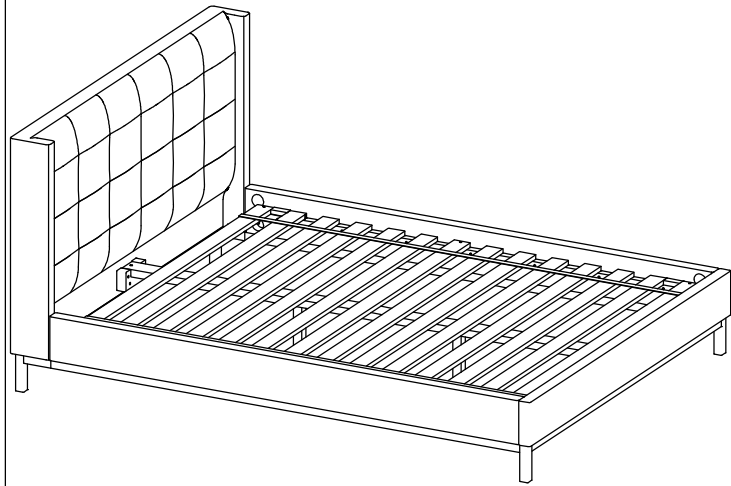







# ASSEMBLY INSTRUCTION

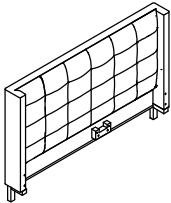
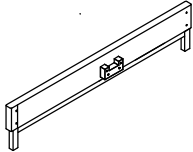
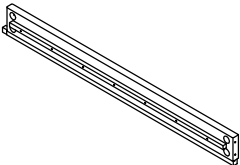
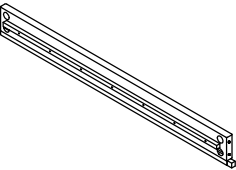
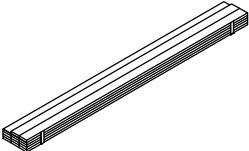
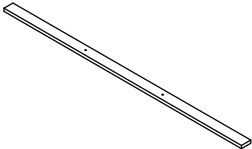
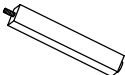
## QUEEN BED



### HARDWARE LIST

A		BOLT Ø8 x100mm	8
B		HEXAGON NUT M8	8
C		HALFMOON WASHER 15 x30mm	8
D		WRENCH	1
E		WOOD SCREW Ø4 x25mm	6
F		SIDE COVER	8

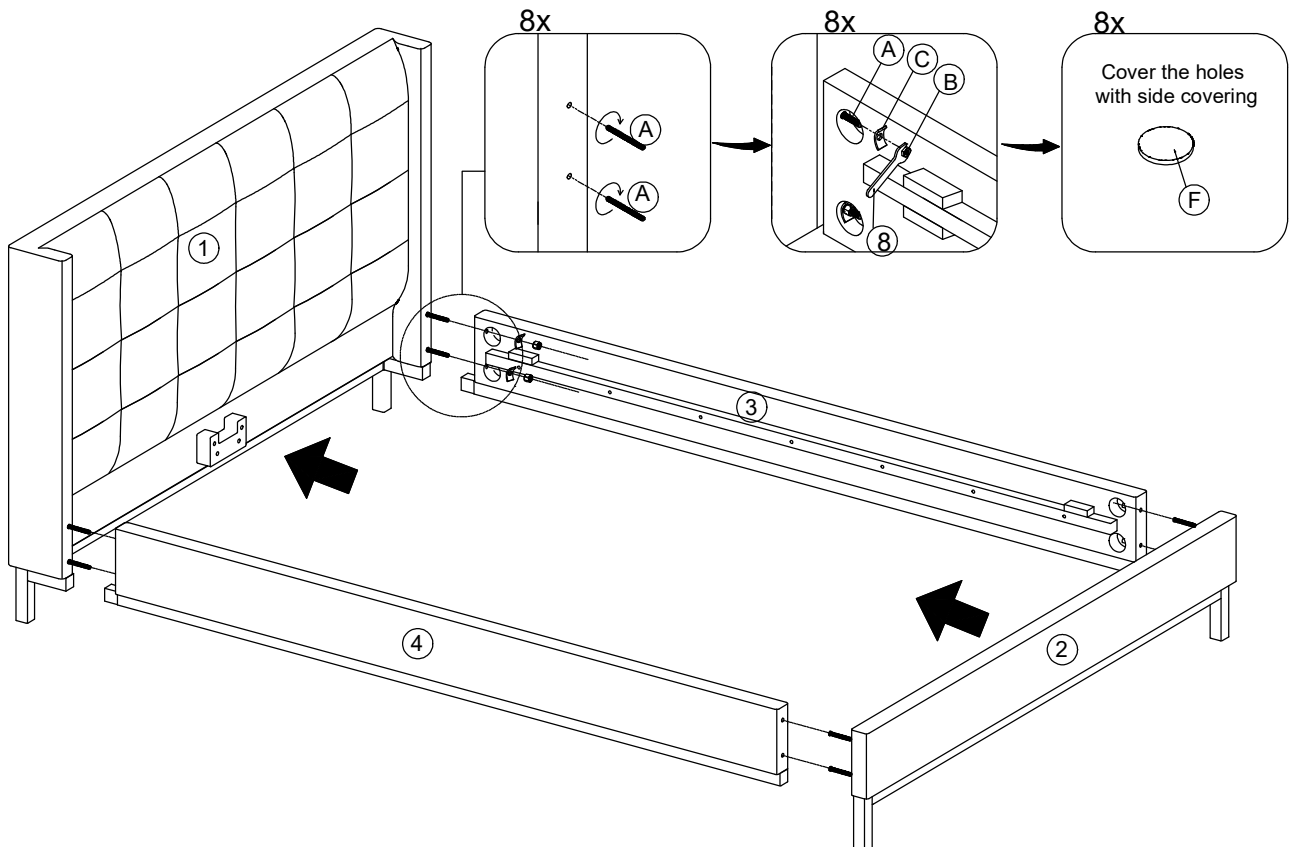
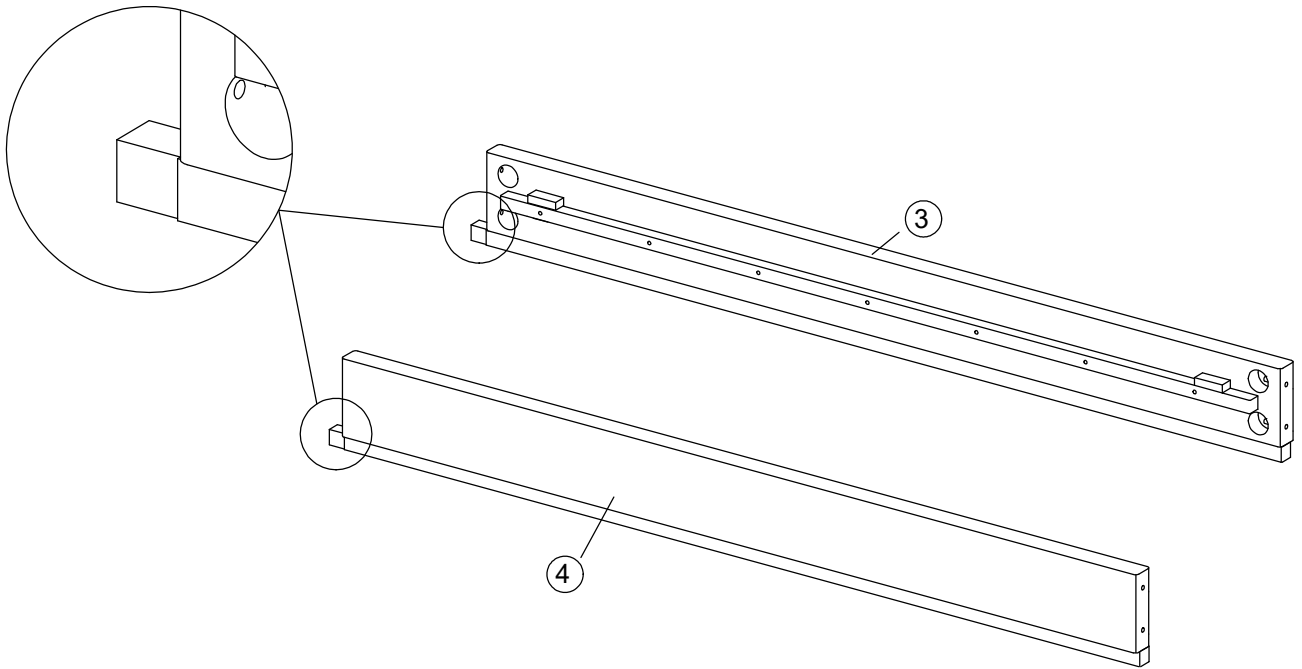
## COMPONENTS LIST

1		Uph Queen Headboard	1Pcs
2		Uph Queen Footboard	1Pcs
3		Bed Side rails RAF	1Pcs
4		Bed Side rails LAF	1Pcs
5		Roll Slats	1Sheet =14Pcs
6		Center Rail	1Pcs
7		Support Leg	2Pcs

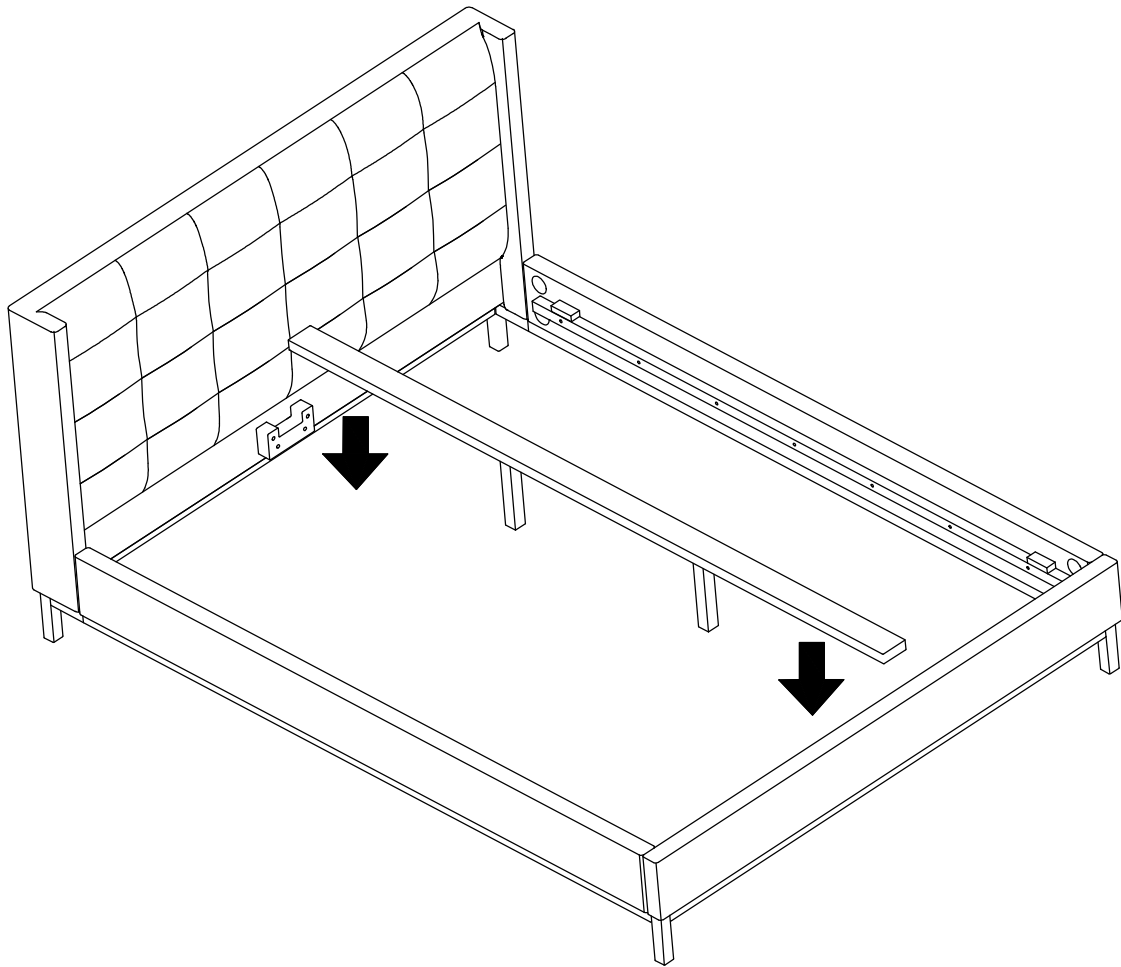
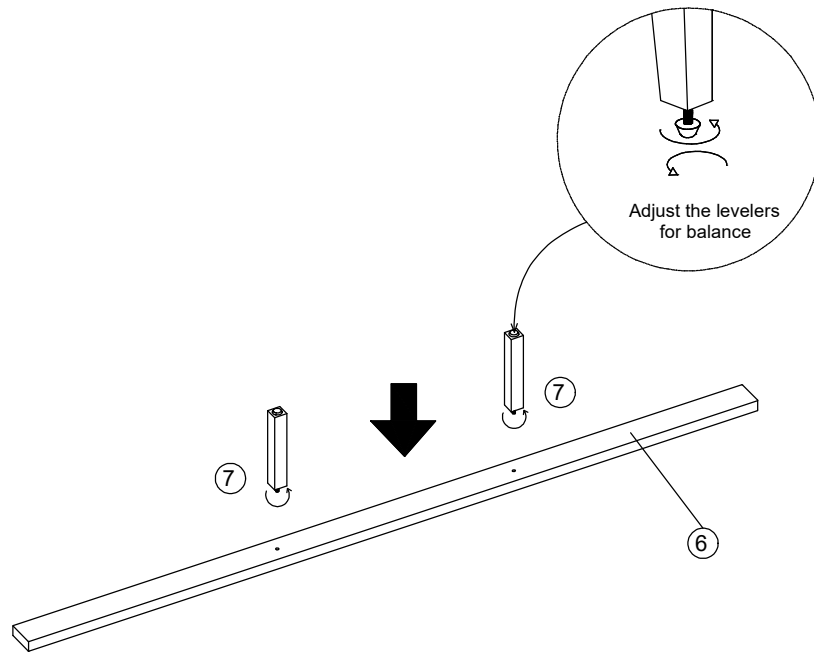
2

**Remarks:**

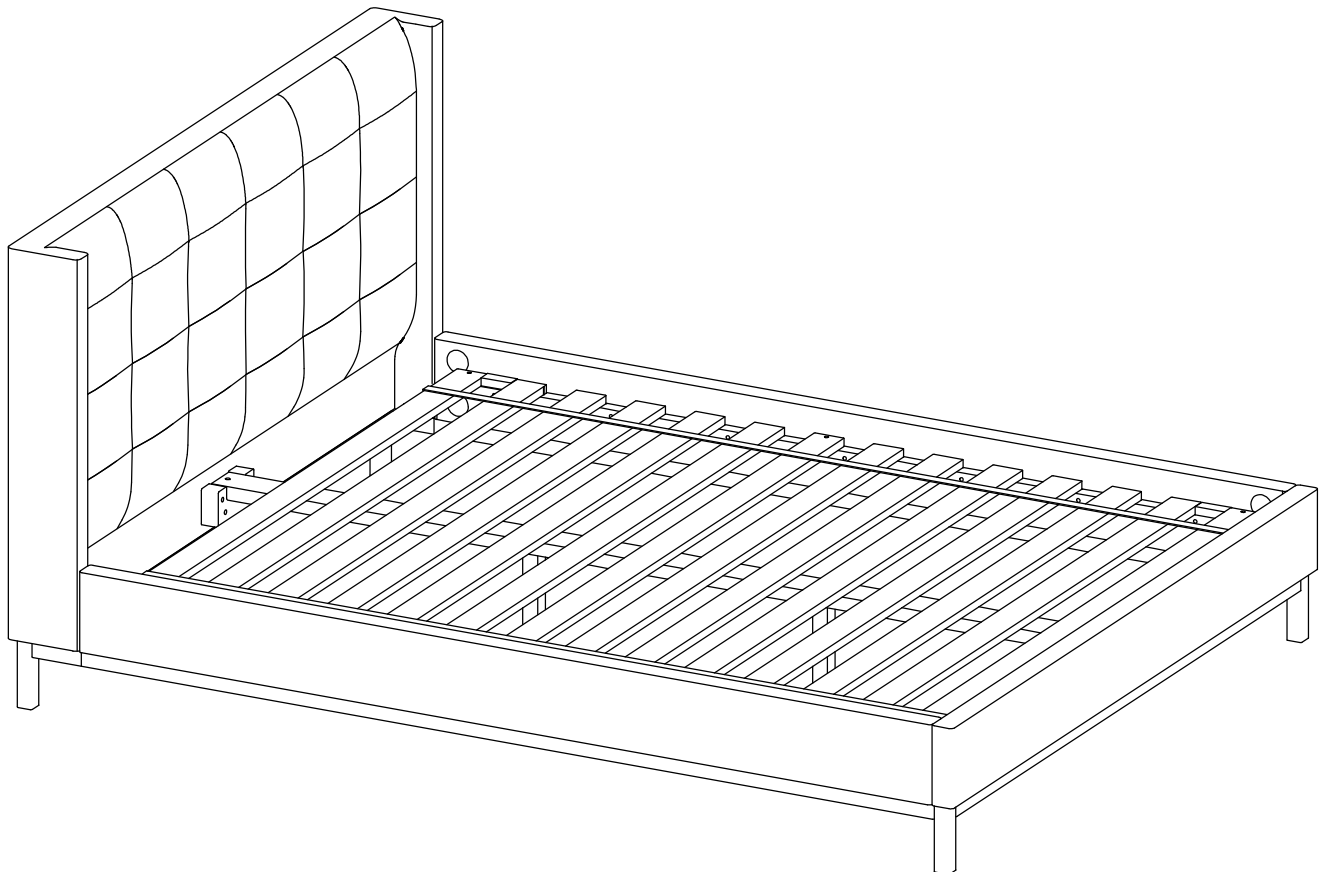
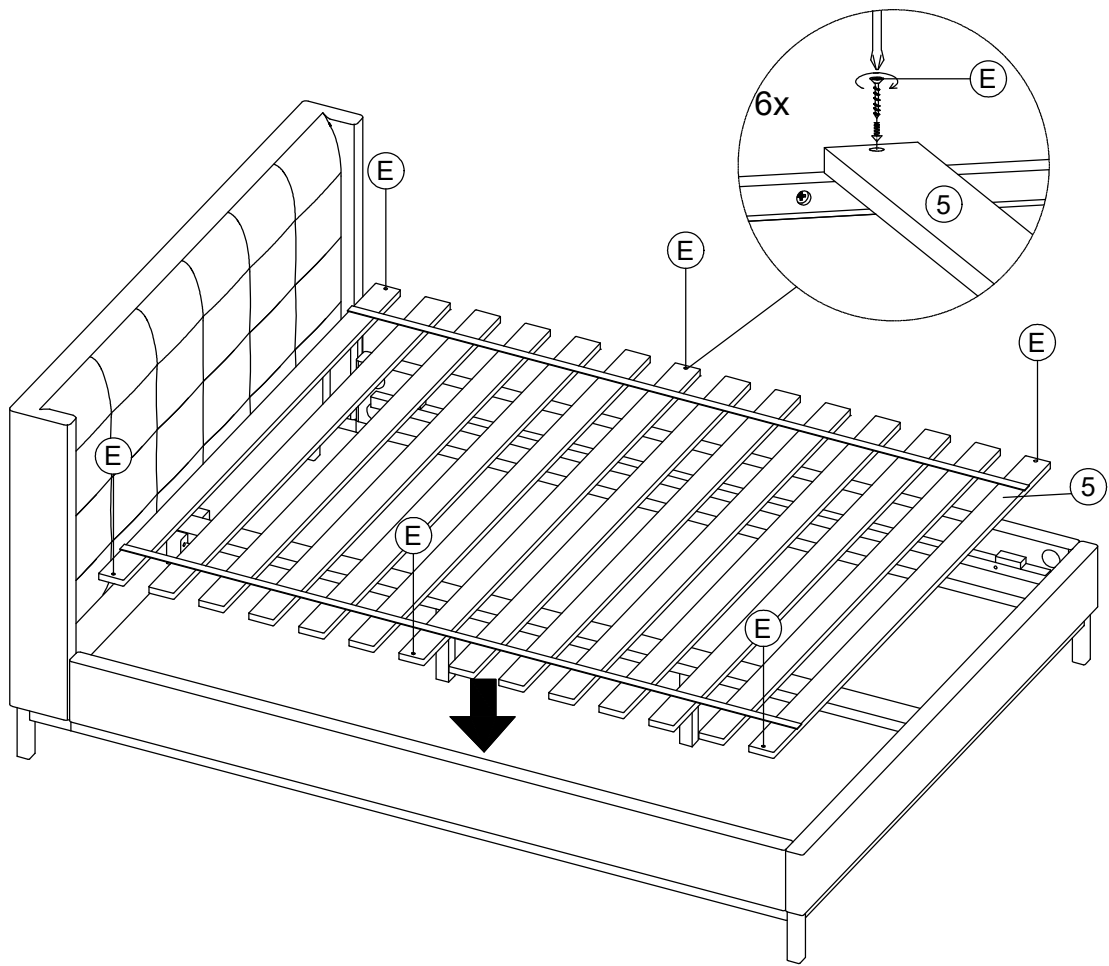
Pay attention to assembly the iron frame at bottom side rail towards the headboard



3



4



FINISHED

PAGE 5