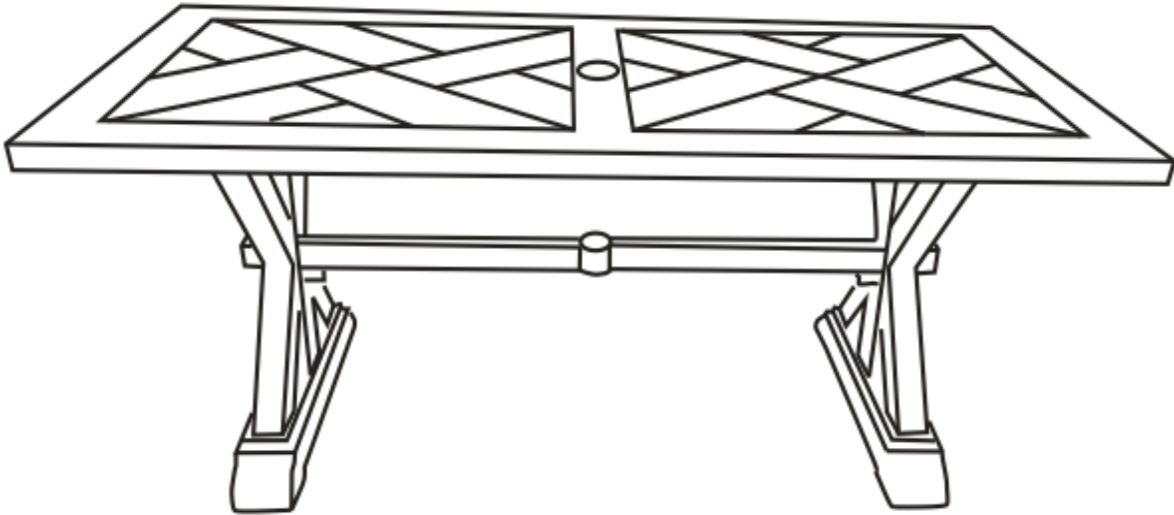


Assembly Instructions

Caution: You must read this before you proceed

Table



Caution: This Table is NOT a TOY.
Keep your child/children at bay during the assembly process.

Part List

Label	Picture	Description	QTY
A		Table Top	1
B		Table Leg with pre-attached Leveller	2
C		Supporting Rod	1

Hardware

Label	Picture	Description	QTY
①		Hex Bolt (M8*35mm)	5
②		Washer (8mm)	5
③		Spring Washer (8mm)	5
④		Hand Screw	3
⑤		Spanner	1

Assembly Preparation

Before Beginning Assembly:



• Read instructions, cover to cover-



• Have 2 adults on hand for assembly-



• Do not assemble on flooring or carpet-



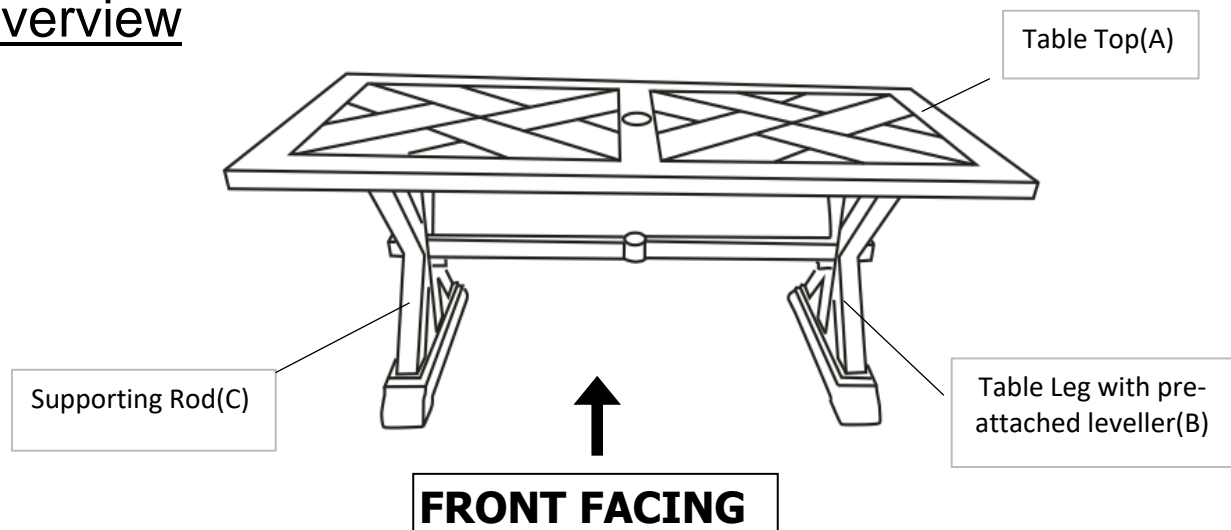
• Assemble on a clean non-marring surface (packing foam)-



• Save all packaging until finished-

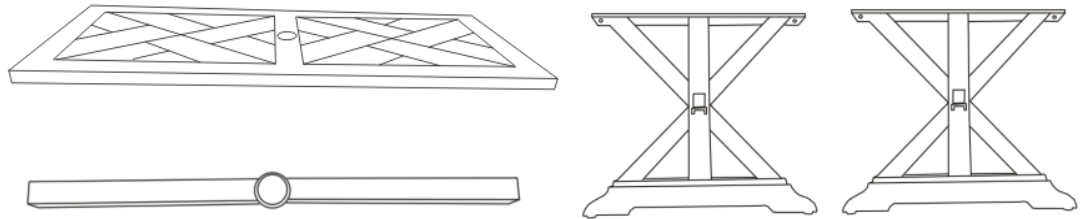
Assembly Steps

Overview



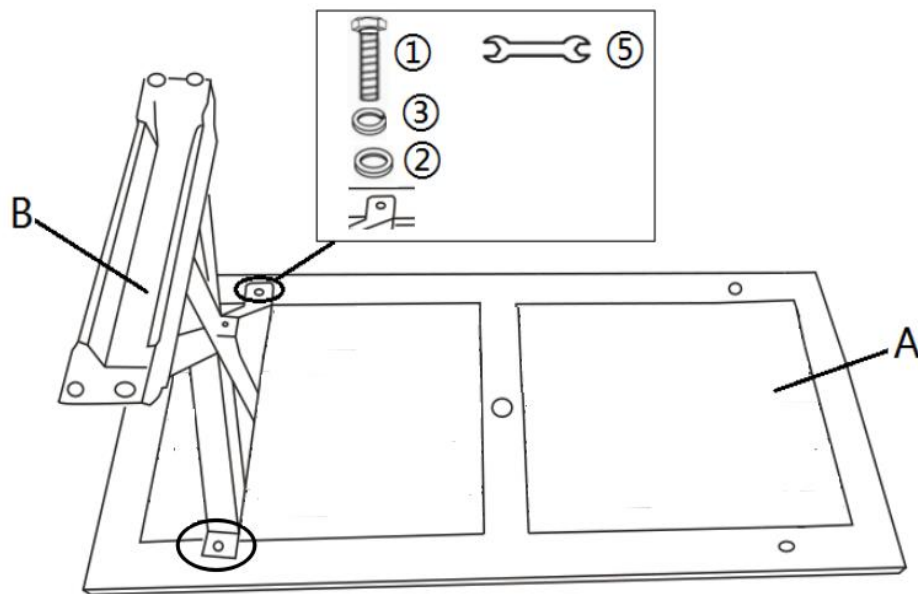
This Table has multiple parts and may require up to 30 minutes to assemble. To give you an overview of the Table parts, the above picture is to help you put the various parts into perspective. Please read through the instructions below to familiarise yourself with the parts and steps before assembly.

Step 1



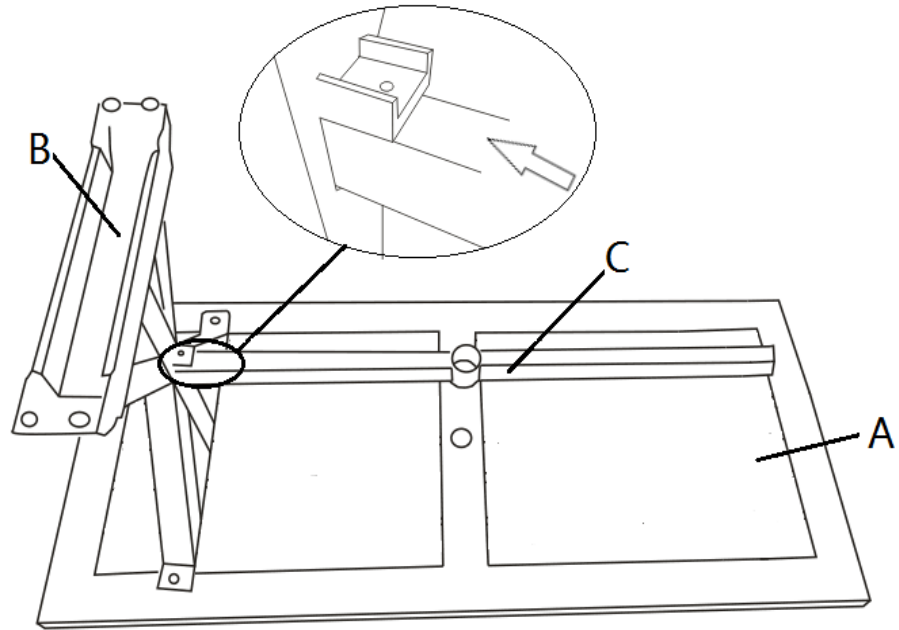
Unpack and place all parts on a clean, non-marring surface.

Step 2



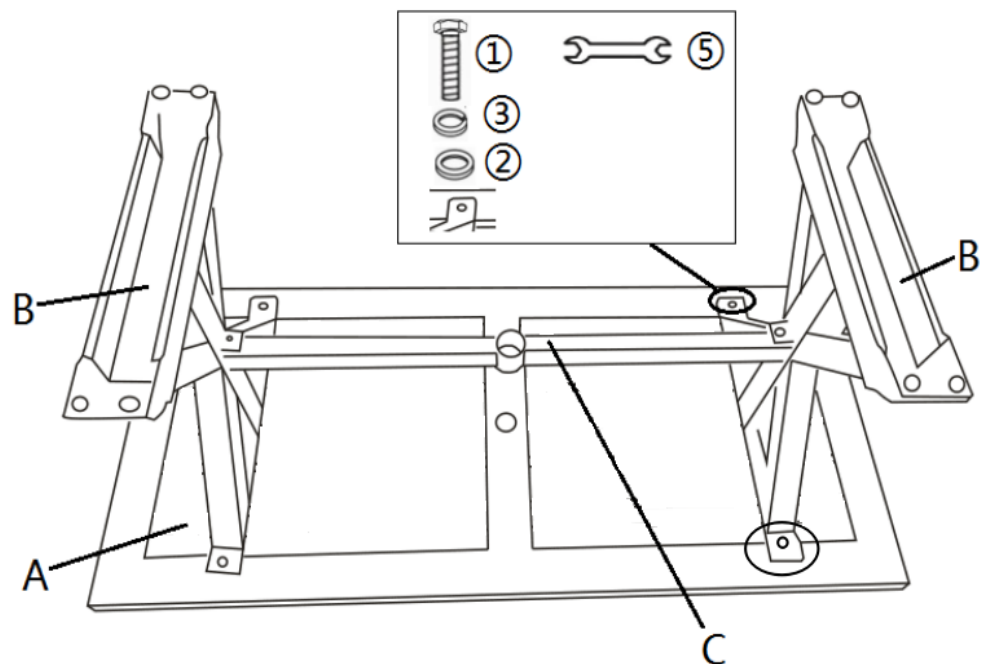
Lay the Table Top(A), facedown onto a flat, clean, non-marring surface. Attach Table Leg with pre-attached Leveller(B) to Table Top(A) using Washers(2), Spring Washers(3), and Hex Bolts(1) with Spanner(5). **Do not fully tighten the Bolts.**

Step 3



Insert the Support Rod(C) into the Table Leg with pre-attached Leveller(B) as pictured.

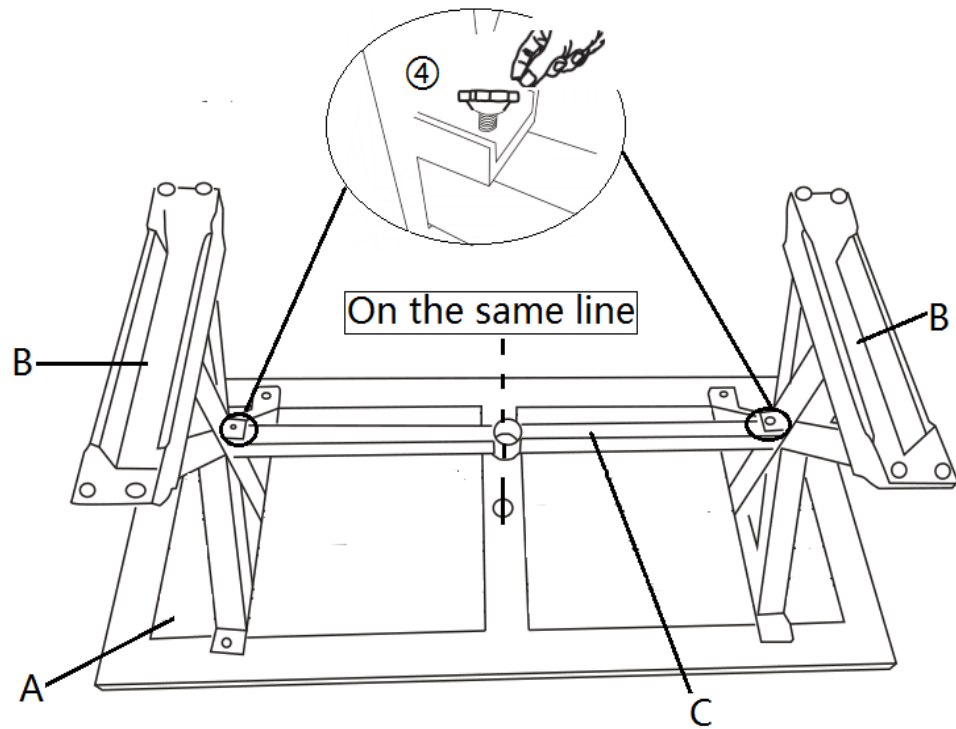
Step 4



Insert the Support Rod(C) into the other Table Leg with pre-attached Leveller(B). Then attach the Table Leg with pre-attached Leveller(B) to Table Top(A) using Washers(②), Spring Washers(③), and Hex Bolts(①) with Spanner(⑤).

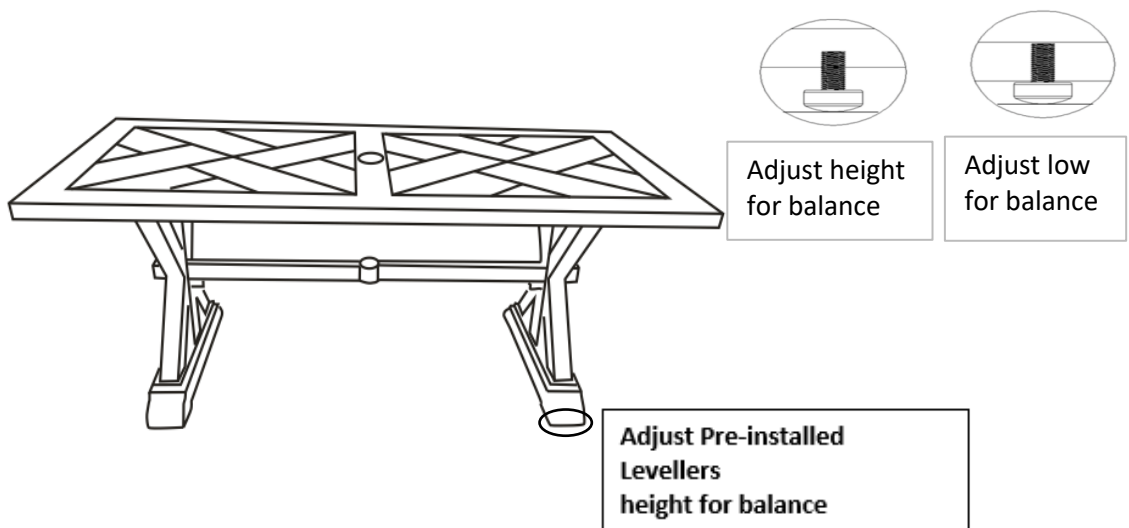
Do not fully tighten the Bolts.

Step 5



Align the mounting position on Table Leg with pre-attached Leveller(B) to Supporting Rod(C).
Then attach Supporting Rod(C) to Table Leg with pre-attached Leveller(B) using Hand Screws(④).










Step 6



Stand the Table up.
Now, fully and securely, tighten all Bolts at all joints.
Inspect it and make sure all parts are adequately connected.
Adjust the Legs pre-installed Levellers until the Table is level with the ground.
Your Table is ready for use.

This Table can only be used on a flat, level surface.

Care & Maintenance

-  Do not put hot items directly on furniture surface.
 -  Do not clean furniture with harsh cleansers or polish.
 -  To obtain the longest lifespan of your outdoor products, minimizing exposure to direct sunlight is recommended.
 -  Children should not climb or jump on the furniture.
 -  Do not write on furniture without a padded barrier to protect the surface.
 -  To obtain the longest lifespan of your outdoor products, avoid extended and lengthy exposure to rain, snow, and direct sunshine. Whenever possible cover the product and /or place under patio or awnings.
 -  Not for commercial use. For residential use only .
 -  Stains may be removed with mild soap solution and damp cloth.
-
-  Dust and pick-up spills using a clean, non-colored, lint-free cloth .