

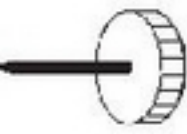
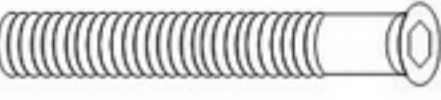


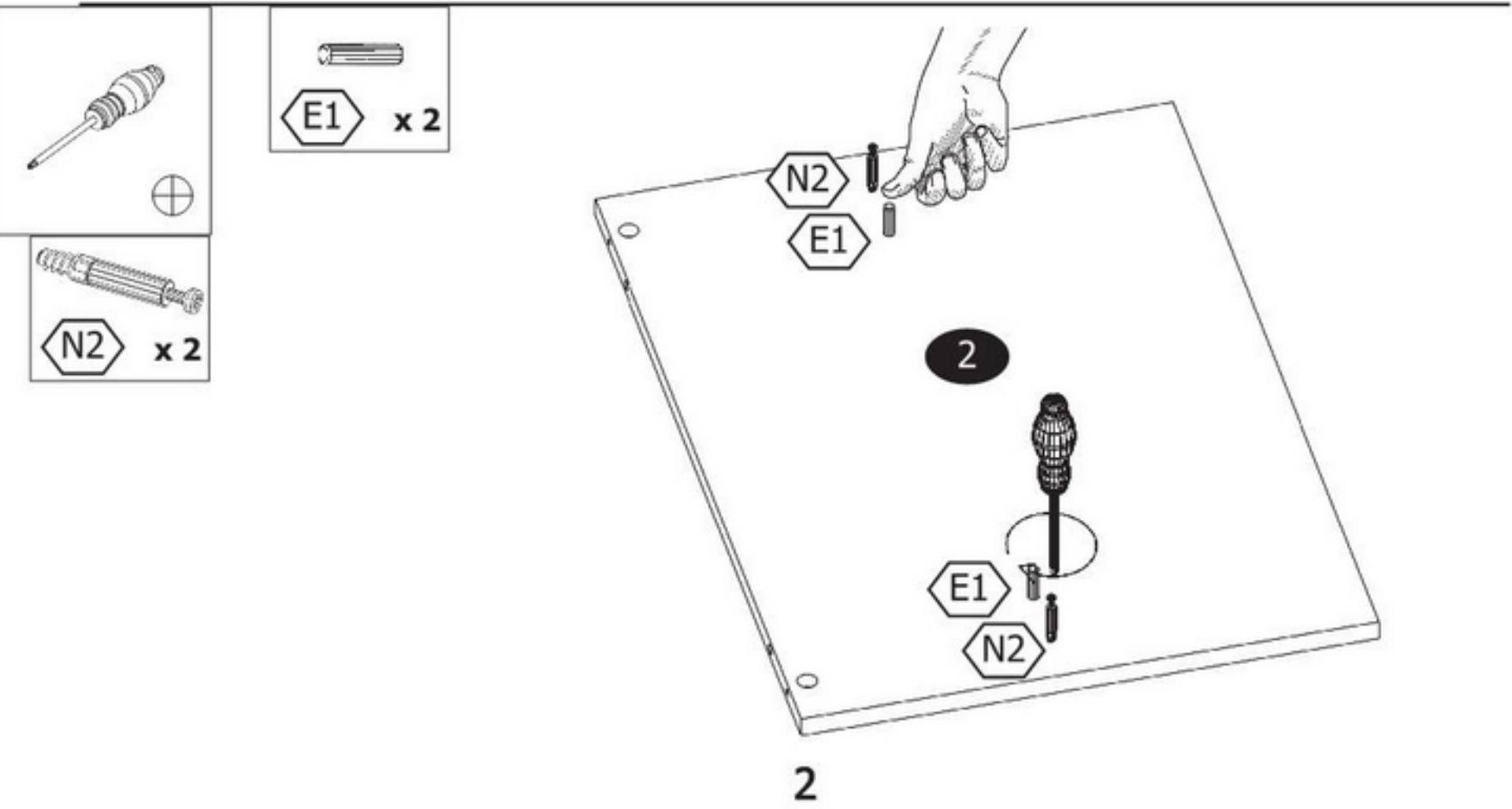
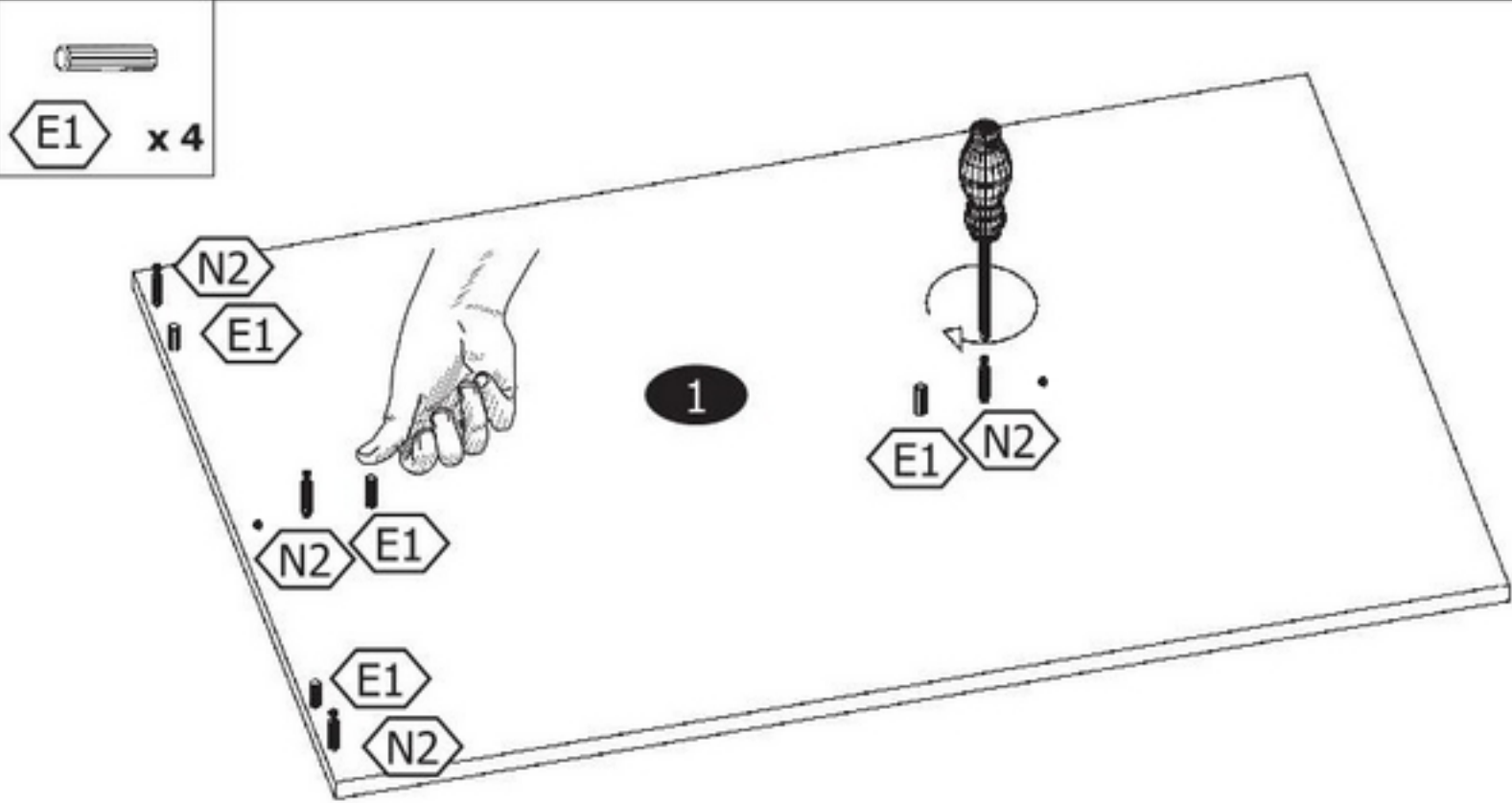
 N2 L=45mm x 10	 E1 8x35mm x 10	 M3 12x15mm x 10
 T1 x 4	 T2 7x50mm x 2	
 T3 ø16mm x 10		

- 1 x 1**
- 2 x 1**
- 3 x 1**
- 4 x 1**
- 5 x 1**
- 6 x 1**

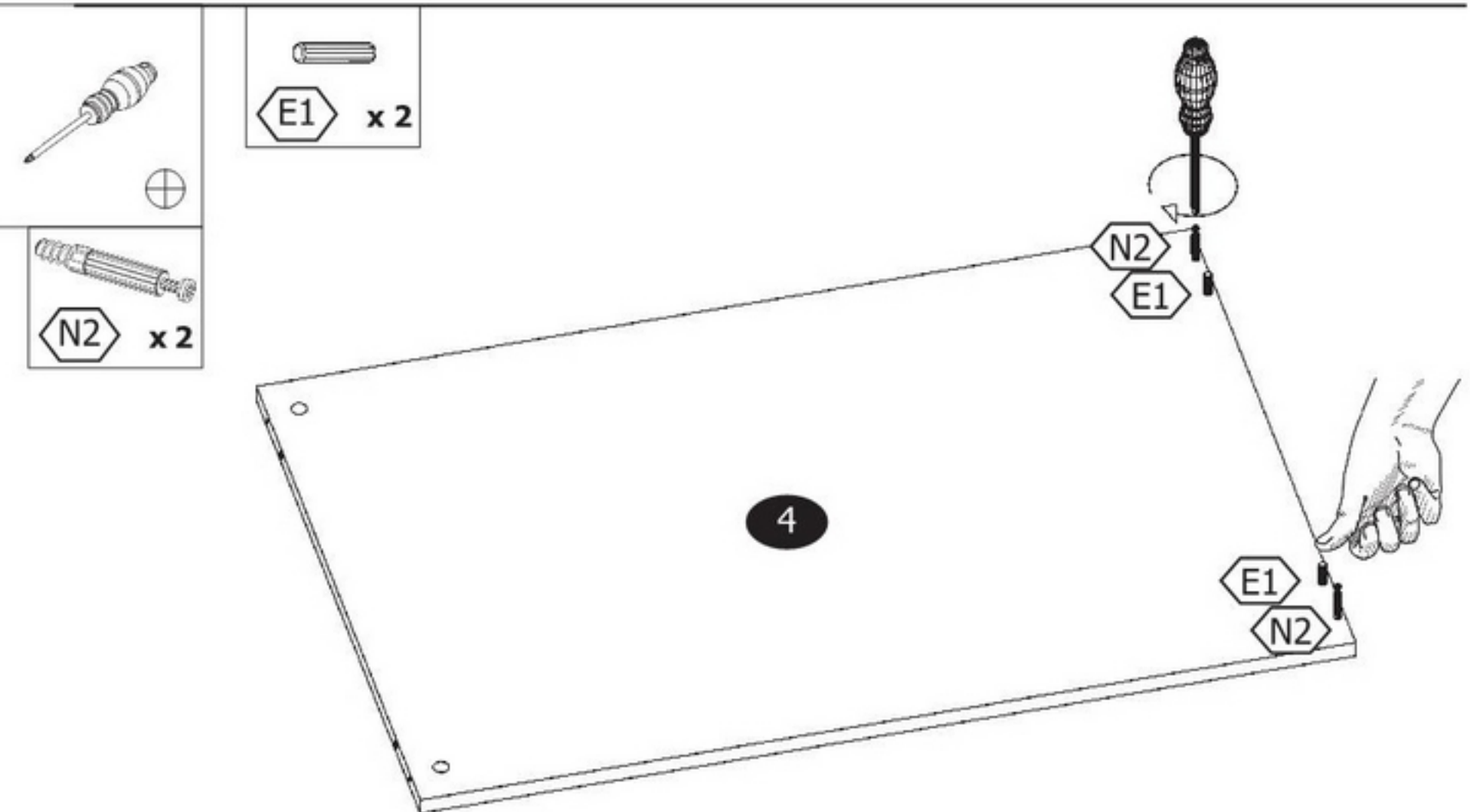
1



2

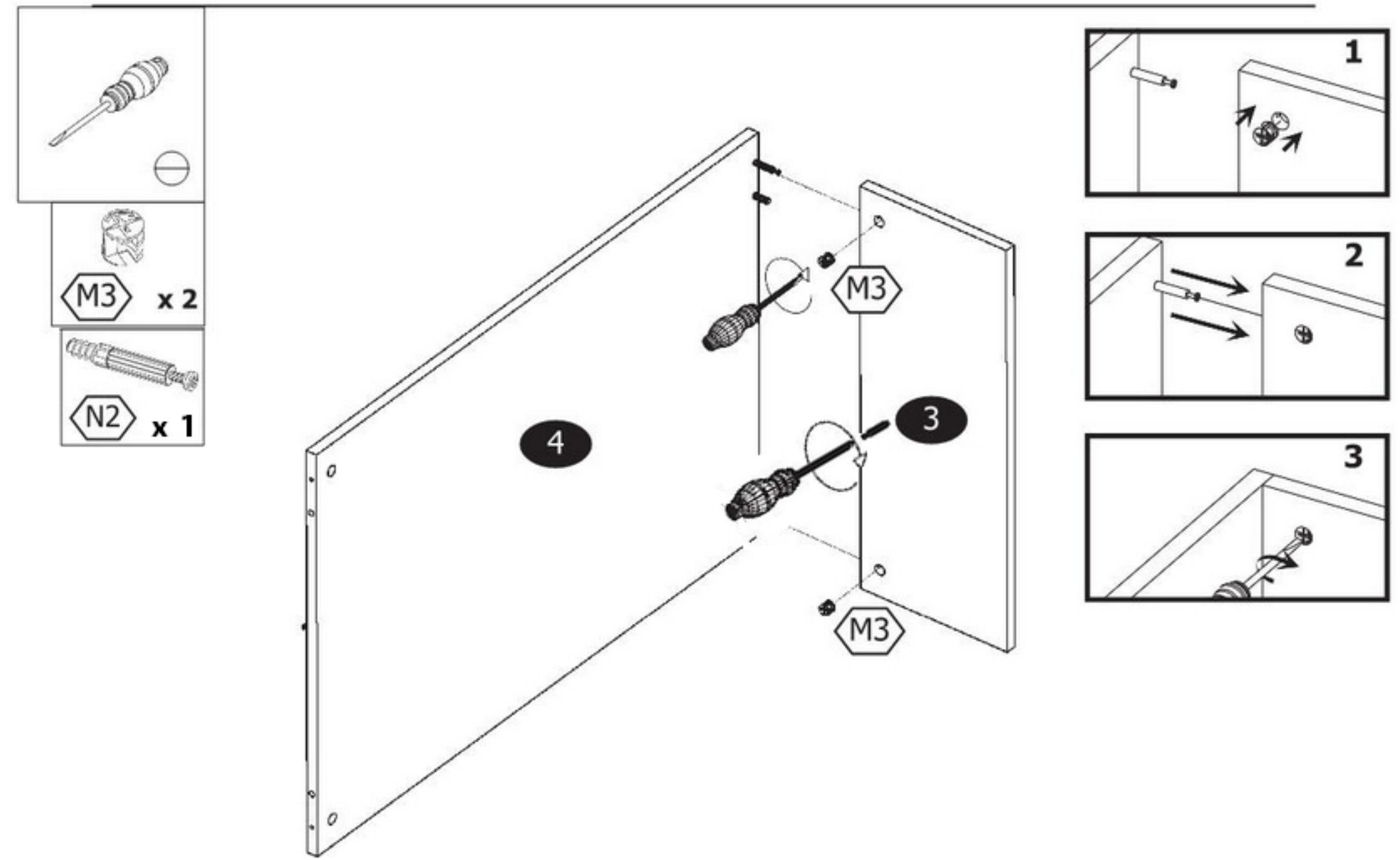


3

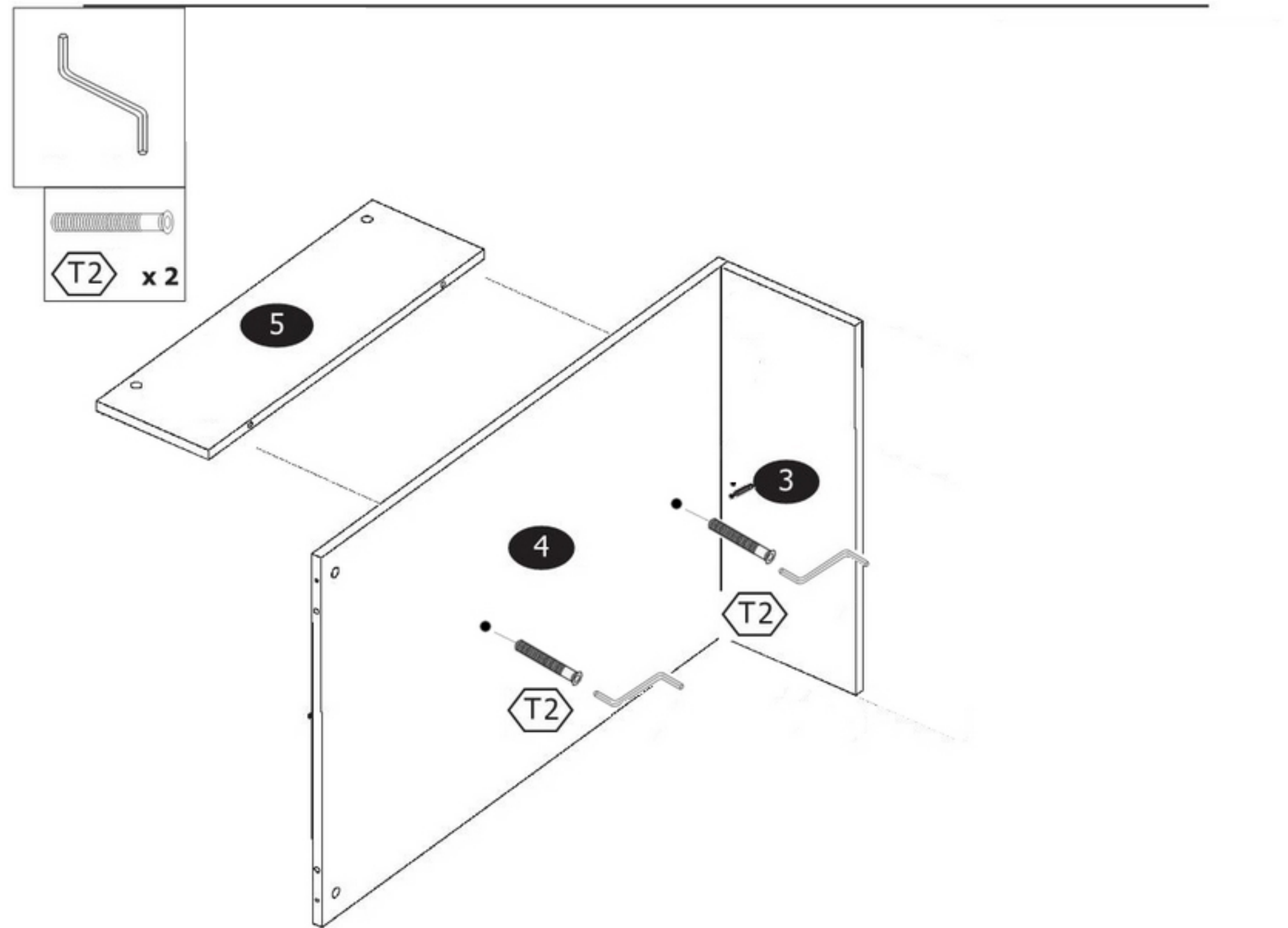


4

4



5



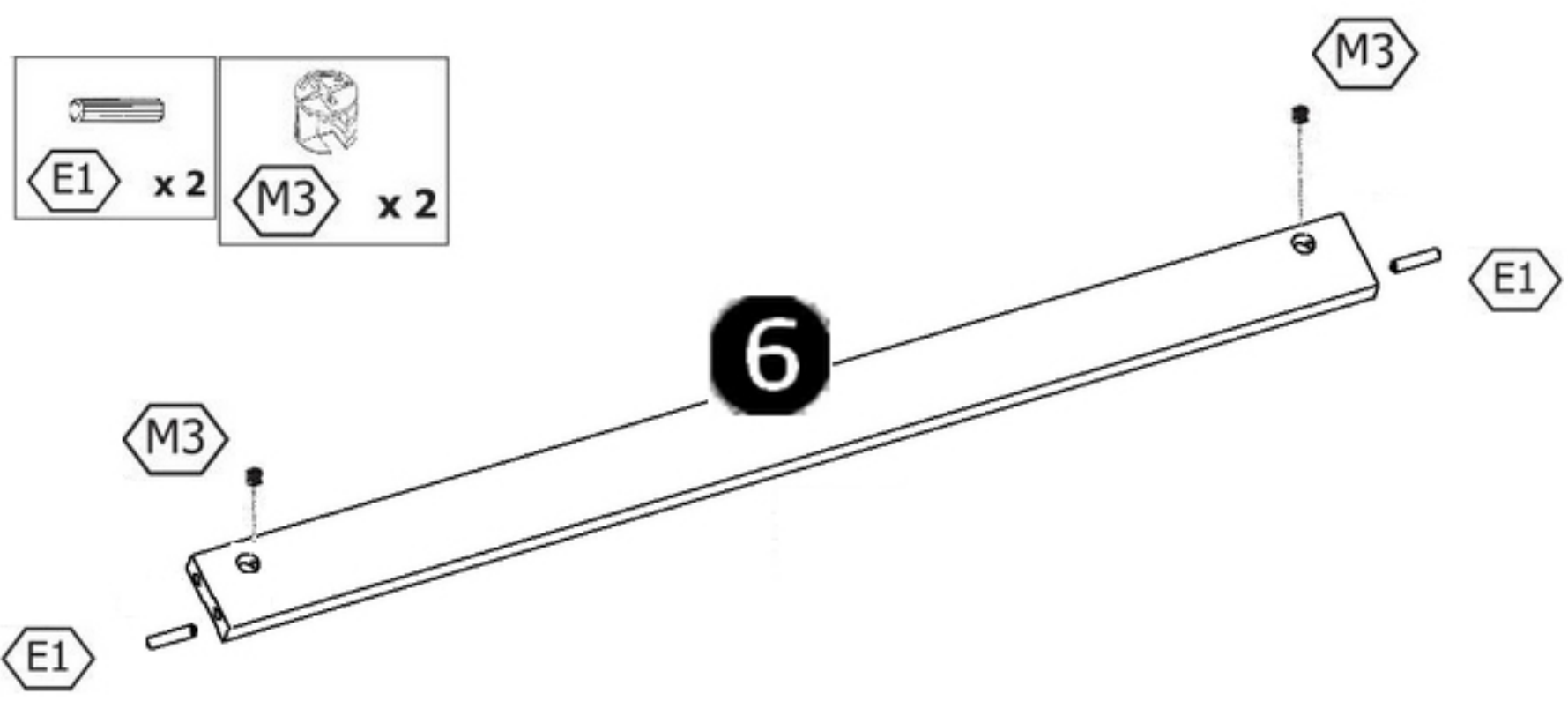
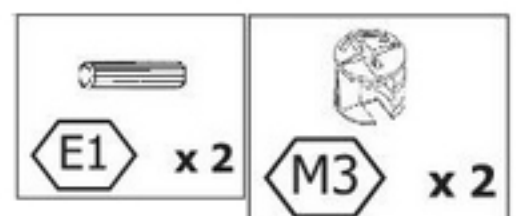
3

4

T2

T2

6



7

