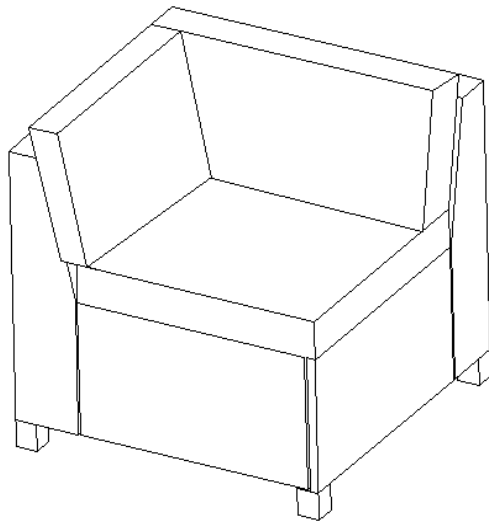



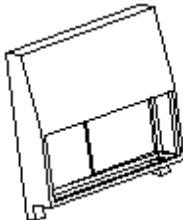
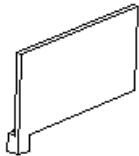
Assembly Instructions

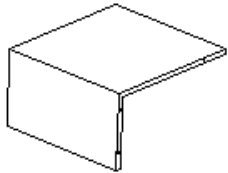
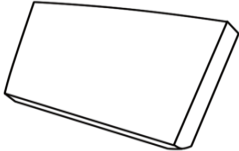
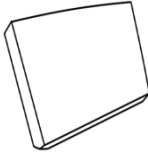
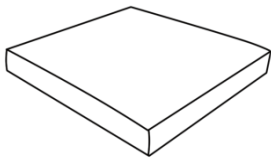
Caution : You must read this before you proceed

Corner






Parts List

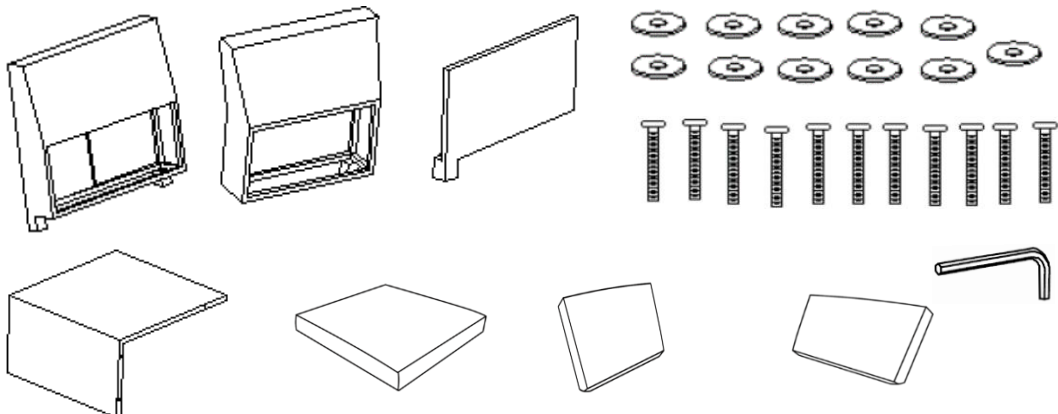
Label	Picture	Description	QTY
A		Right Backrest with Leg	1
B		Left Backrest with Leg	1
C		Right Panel with Leg	1

D		Seat	1
E1		Right Back Cushion	1
E2		Left Back Cushion	1
F		Seat Cushion	1

Hardware

Label	Picture	Description	QTY
①		Bolt (M6*40mm)	11
②		Washer	11
③		Allen Key	1

Assembly Preparation

<p>Before Beginning Assembly:</p>	
-----------------------------------	--



• Read instructions, cover to cover-



• Have 2 adults on hand for assembly-



• Do not assemble on flooring or carpet-



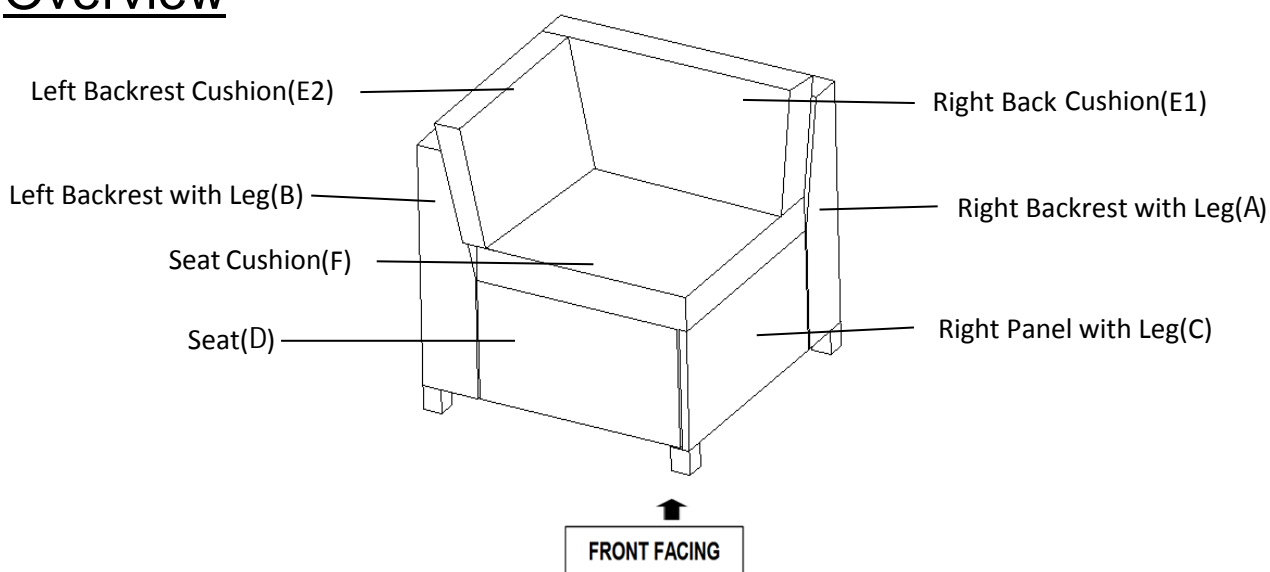
• Assemble on a clean non-marring surface (packing foam)-



• Save all packaging until finished-

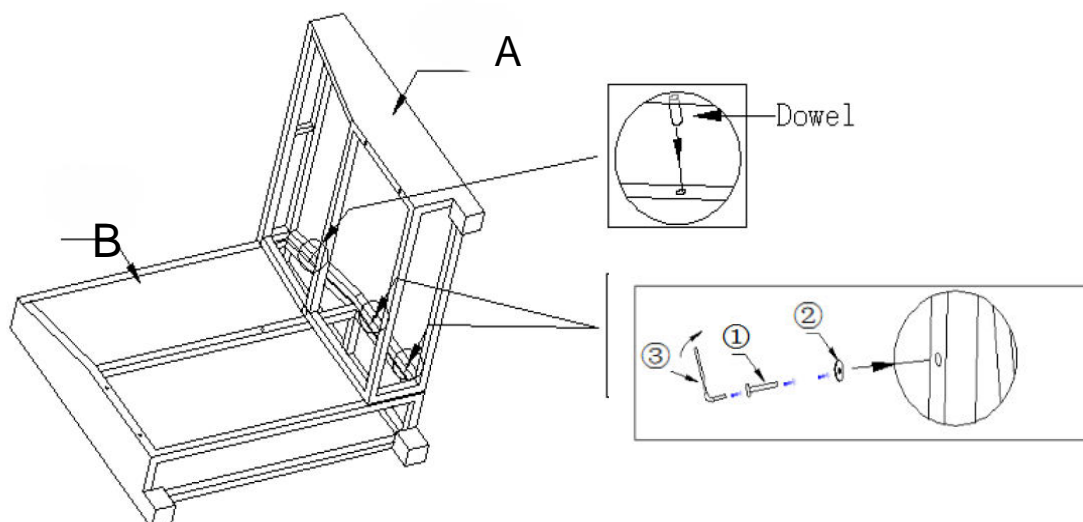
Assembly Steps

Overview



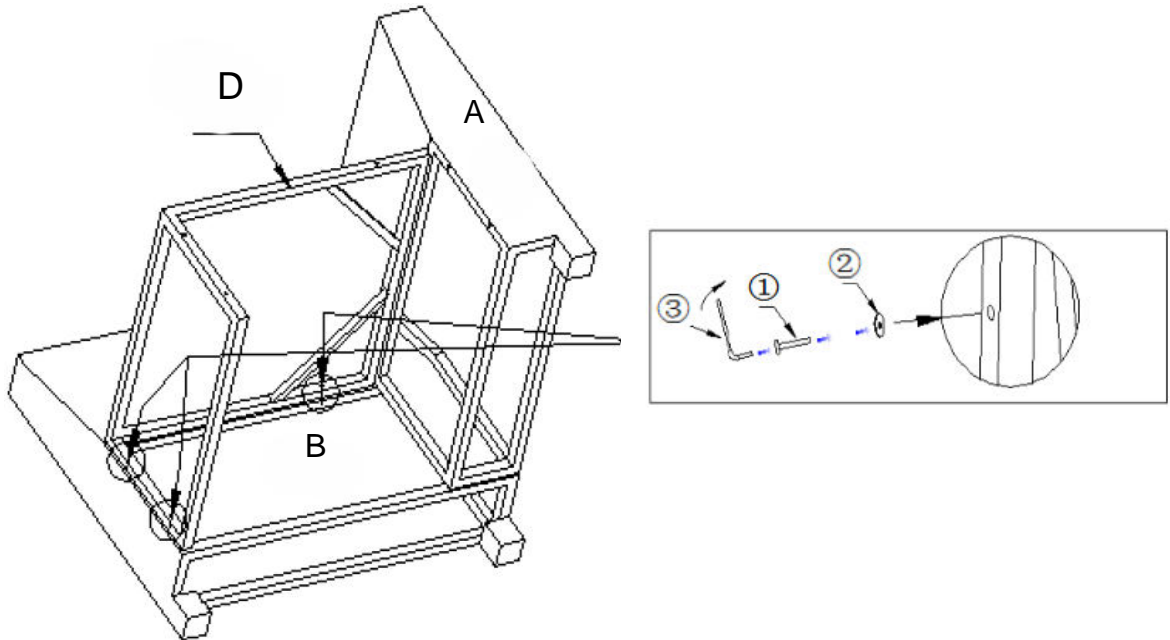
This Corner has multiple parts and may require up to 30 minutes to assemble. To give you an overview of the Corner parts, the above picture is to help you put the various parts into perspective. Please read through the instructions below to familiarise yourself with the parts and steps before assembly.

Step 1



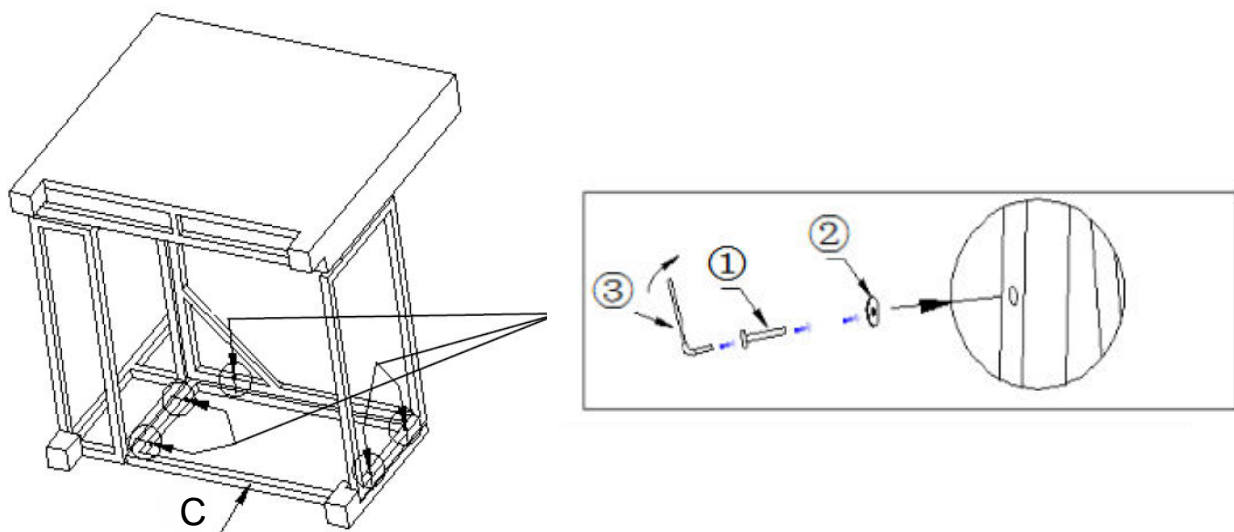
Place the Left Backrest with Leg(B) facedown on a clean, non-marring surface.
Place the Right Backrest with Leg(A) on the Left Backrest with Leg(B) being sure to insert dowel on Left Backrest with Leg(B) into mounting position on Right Backrest with Leg(A).
Attach Right Backrest with Leg(A) to Left Armrest with Leg(B) using Bolts(①) and Washers(②) with Allen Key(③) as shown above.
Do not fully tighten the bolts.

Step 2



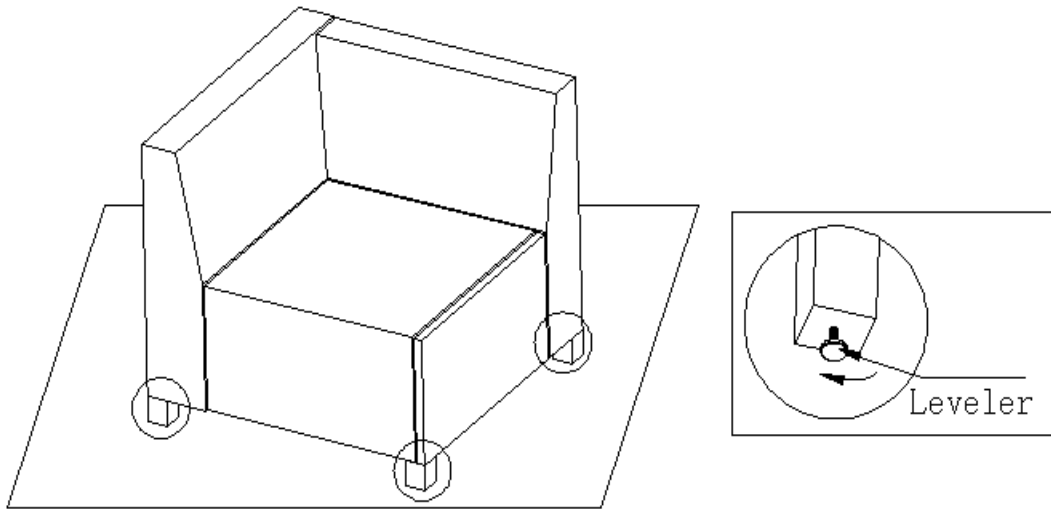
Place the Seat(F) onto the Left Backrest with Leg(B) and Right Armrest with Leg(A) as shown.
Attach Seat(F) to Left Backrest with Leg(B) and Right Armrest with Leg(A) using Bolts(①) and Washers(②) with Allen Key(③) as shown above.
Do not fully tighten the Bolts.

Step 3



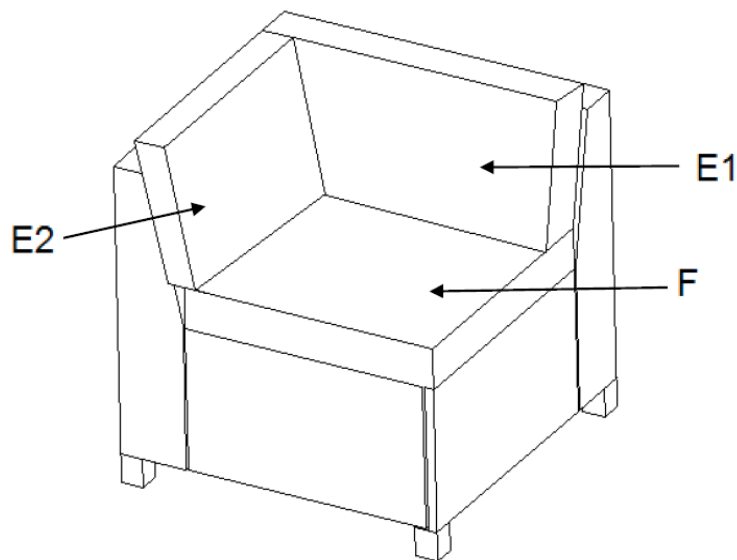
Place the Right Panel with Leg(C) facedown on a clean, non-marring surface.
With the help of your adult partner, place Right Backrest with Leg(A) & Seat(D) against Right Panel with Leg(C).
Attach the Right Panel with Leg(C) to Right Backrest with Leg(A) and Seat(D) using Bolts(①) and Washers(②) with Allen Key(③) as pictured above.
Tighten all Bolts at all joints completely at this stage.

Step 4



Place the Corner on a level surface to check the wobbles.
If the Corner wobbles, adjust the Levelers on the bottom of the Legs to make it level.





















Step 5



Place the Seat Cushion(F) and Right Back Cushion(E1) & Left Back Cushion(E2) on this Corner.
Your Corner is ready for use.

This Corner can only be used on a flat, level surface.

Care & Maintenance

-   ● Do not put hot items directly on furniture surface
 -   ● Do not clean furniture with harsh cleansers or polish.
 -   ● To obtain the longest lifespan of your outdoor products, minimizing exposure to direct sunlight is recommended.
 -   ● Children should not climb or jump on the furniture.
 -   ● Do not write on furniture without a padded barrier to protect the surface.
 -   ● To obtain the longest lifespan of your outdoor products, avoid extended and lengthy exposure to rain, snow, and direct sunshine. Whenever possible cover the product and /or place under patio or awnings.
 -   ● Not for commercial use. For residential use only .
 -   ● Stains may be removed with mild soap solution and damp cloth.
 -   ● Keep away from sources of ignition.
-
-   ● Dust and pick-up spills using a clean, non-colored, lint-free cloth.

Questions & Answers about Proposition 65

• What is Proposition 65?

Proposition 65 requires businesses to provide warnings to Californians about significant exposures to chemicals that cause cancer, birth defects or other reproductive harm. These chemicals can be in the products that Californians purchase, in their homes or workplaces, or that are released into the environment. By requiring that this information be provided, Proposition 65 enables Californians to make informed decisions about their exposures to these chemicals.

Proposition 65 also prohibits California businesses from knowingly discharging significant amounts of listed chemicals into sources of drinking water.

Proposition 65 requires California to publish a list of chemicals known to cause cancer, birth defects or other reproductive harm. This list, which must be updated at least once a year, has grown to include approximately 900 chemicals since it was first published in 1987.

• What types of chemicals are on the Proposition 65 list?

The list contains a wide range of naturally occurring and synthetic chemicals that include additives or ingredients in pesticides, common household products, food, drugs, dyes, or solvents. Listed chemicals may also be used in manufacturing and construction, or they may be byproducts of chemical processes, such as motor vehicle exhaust.

• What does a warning mean?

If a warning is placed on a product label or posted or distributed at a workplace, a business, or in rental housing, the business issuing the warning is aware or believes that it is exposing individuals to one or more listed chemicals.

By law, a warning must be given for listed chemicals unless the exposure is low enough to pose no significant risk of cancer or is significantly below levels observed to cause birth defects or other reproductive harm.

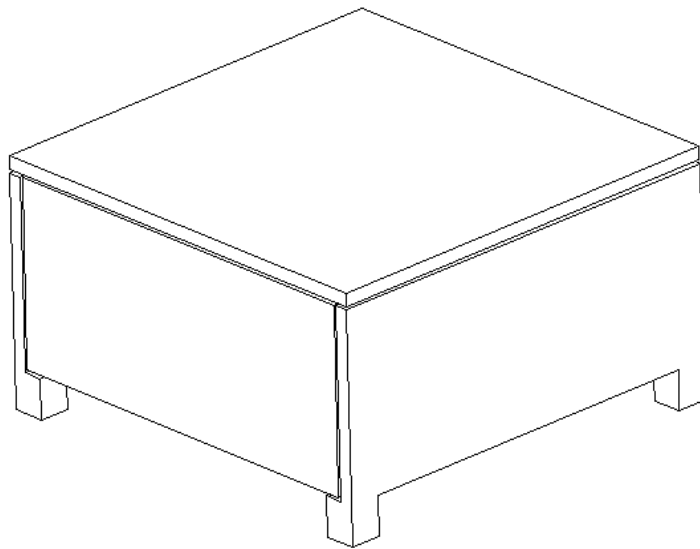
• Where can I get more information on Proposition 65?

If you have specific questions on the administration or implementation of Proposition 65, you can contact OEHHA's Proposition 65 program at P65.Questions@oehha.ca.gov, or by phone at (916) 445-6900.

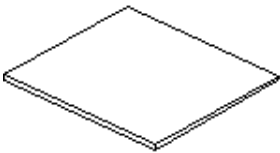
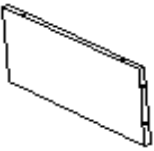
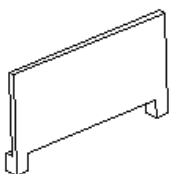
Assembly Instructions

Caution : You must read this before you proceed

Table



Parts List

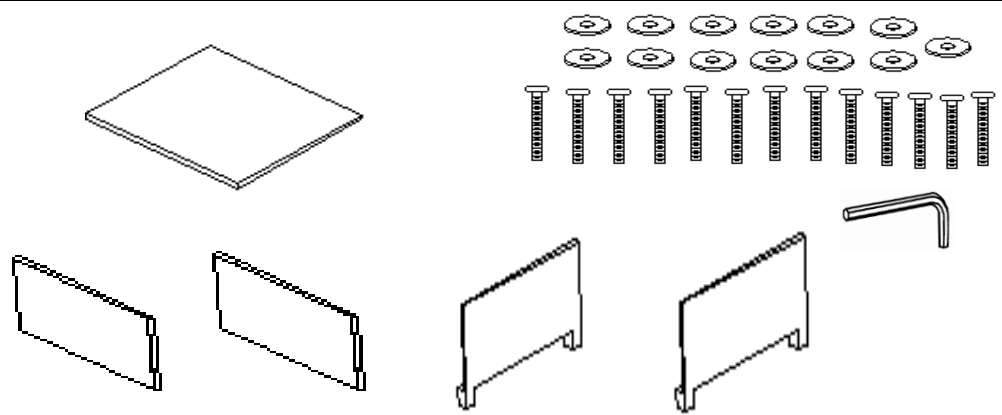
Label	Picture	Description	QTY
G		Top Panel	1
H		Side Panel	2
I		Side Panel with Leg	2

Hardware

Label	Picture	Description	QTY
①		Bolt (M6*40m)	13
②		Washer	13
③		Allen Key	13

Assembly Preparation

Before Beginning Assembly:



- Read instructions, cover to cover-



- Have 2 adults on hand for assembly-



- Do not assemble on flooring or carpet-



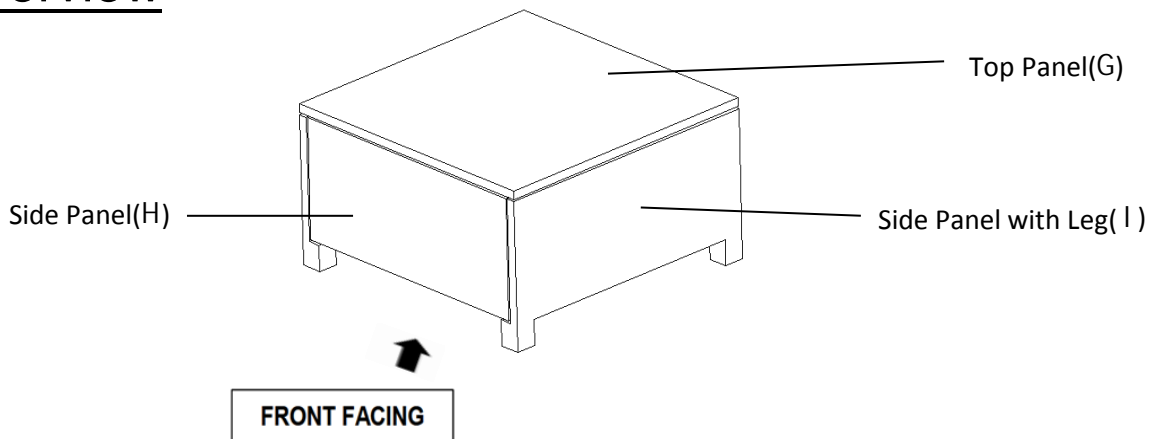
- Assemble on a clean non-marring surface (packing foam)-



- Save all packaging until finished-

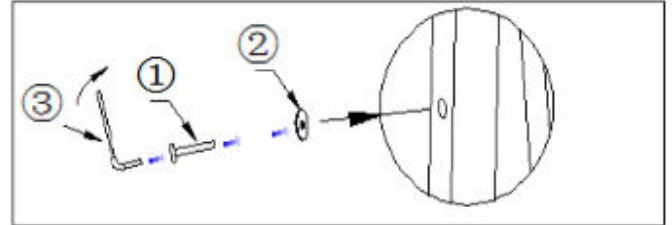
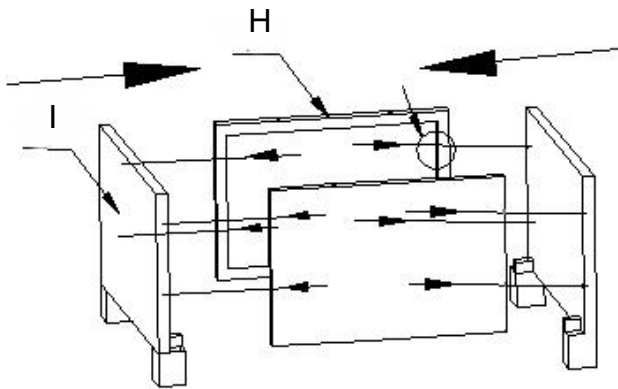
Assembly Steps

Overview



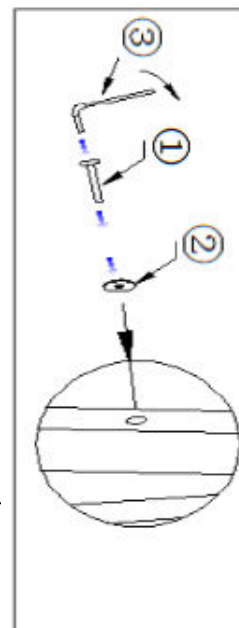
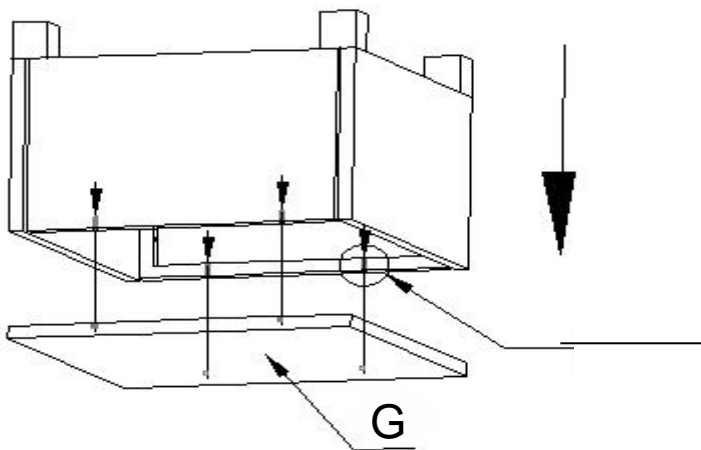
This Table has multiple parts and may require up to 30 minutes to assemble. To give you an overview of the Table parts, the above picture is to help you put the various parts into perspective. Please read through the instructions below to familiarise yourself with the parts and steps before assembly.

Step 1



Open the carton and place all parts on a clean, non-marring surface.
Attach the Side Panel(H) to the Side Panel with Leg(I) using Bolts(①)
and Washers(②) with Allen Key(③) as shown above.
Do not fully tighten the Bolts.

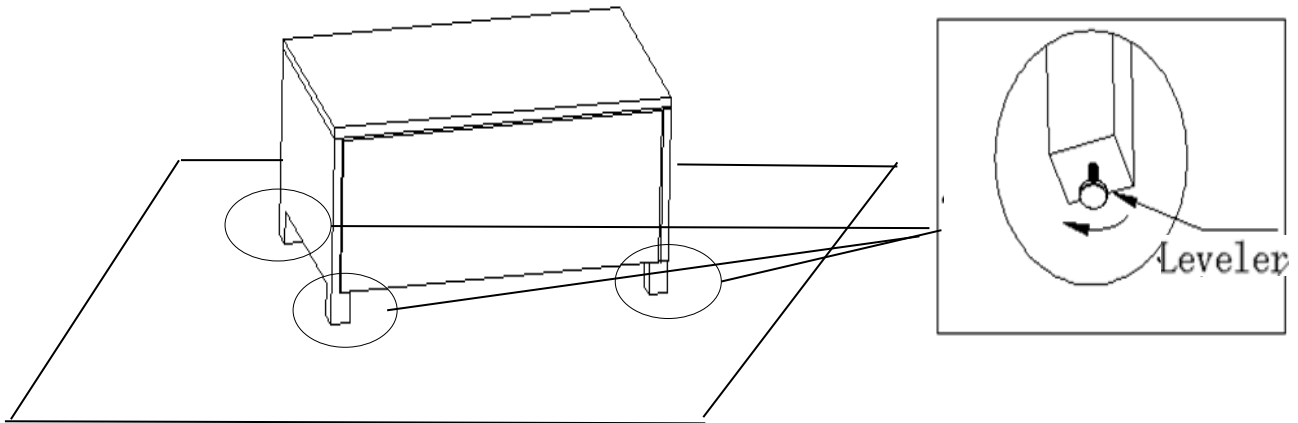
Step 2



Place the Top Panel(A) facedown on a clean and soft surface.
With the help of your adult partner, turn the Table Frame over and place it onto the Top Panel(A) as
shown above.
Attach the Top Panel(G) to the Side Panel(H) and Side Panel with Leg(I) using Bolts(①) and Washers(②)
with Allen Key(③) as shown above.

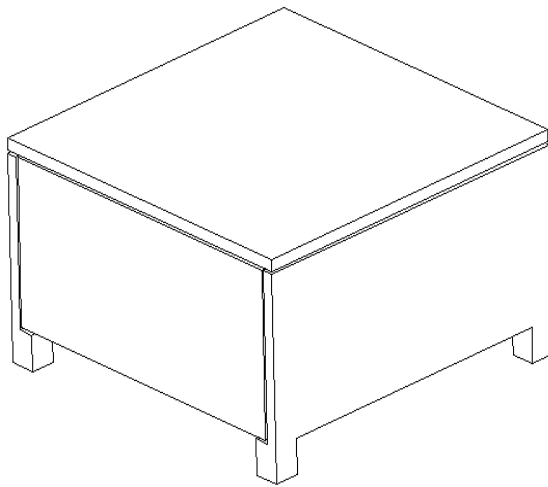
Tighten all Bolts at all joints completely at this stage.

Step 3























Place the Table on a level surface to check the wobbles.
If the Table wobbles, adjust the Levelers on the bottom of the Legs to make it level.

Step 4



Your Table is ready for use.
This Table can only be used on a flat, level surface.

Care & Maintenance

-   ● Do not put hot items directly on furniture surface
 -   ● Do not clean furniture with harsh cleansers or polish.
 -   ● To obtain the longest lifespan of your outdoor products, minimizing exposure to direct sunlight is recommended.
 -   ● Children should not climb or jump on the furniture.
 -   ● Do not write on furniture without a padded barrier to protect the surface.
 -   ● To obtain the longest lifespan of your outdoor products, avoid extended and lengthy exposure to rain, snow, and direct sunshine. Whenever possible cover the product and /or place under patio or awnings.
 -   ● Not for commercial use. For residential use only .
 -   ● Stains may be removed with mild soap solution and damp cloth.
 -   ● Keep away from sources of ignition.
-
-   ● Dust and pick-up spills using a clean, non-colored, lint-free cloth.

Questions & Answers about Proposition 65

• What is Proposition 65?

Proposition 65 requires businesses to provide warnings to Californians about significant exposures to chemicals that cause cancer, birth defects or other reproductive harm. These chemicals can be in the products that Californians purchase, in their homes or workplaces, or that are released into the environment. By requiring that this information be provided, Proposition 65 enables Californians to make informed decisions about their exposures to these chemicals.

Proposition 65 also prohibits California businesses from knowingly discharging significant amounts of listed chemicals into sources of drinking water.

Proposition 65 requires California to publish a list of chemicals known to cause cancer, birth defects or other reproductive harm. This list, which must be updated at least once a year, has grown to include approximately 900 chemicals since it was first published in 1987.

• What types of chemicals are on the Proposition 65 list?

The list contains a wide range of naturally occurring and synthetic chemicals that include additives or ingredients in pesticides, common household products, food, drugs, dyes, or solvents. Listed chemicals may also be used in manufacturing and construction, or they may be byproducts of chemical processes, such as motor vehicle exhaust.

• What does a warning mean?

If a warning is placed on a product label or posted or distributed at a workplace, a business, or in rental housing, the business issuing the warning is aware or believes that it is exposing individuals to one or more listed chemicals.

By law, a warning must be given for listed chemicals unless the exposure is low enough to pose no significant risk of cancer or is significantly below levels observed to cause birth defects or other reproductive harm.

• Where can I get more information on Proposition 65?

If you have specific questions on the administration or implementation of Proposition 65, you can contact OEHHA's Proposition 65 program at P65.Questions@oehha.ca.gov, or by phone at (916) 445-6900.