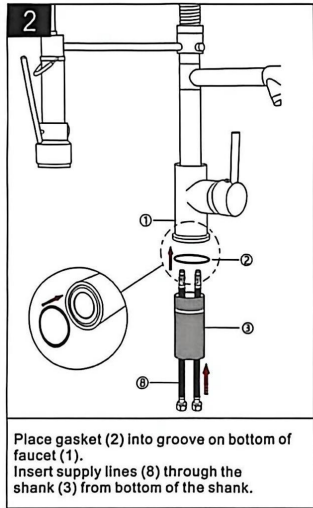
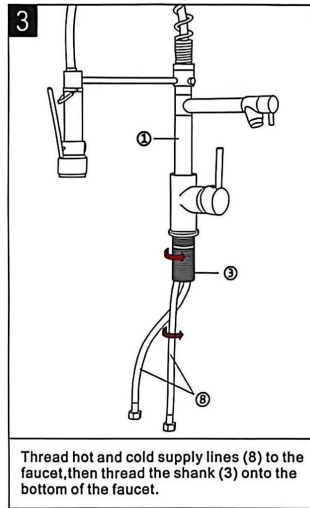


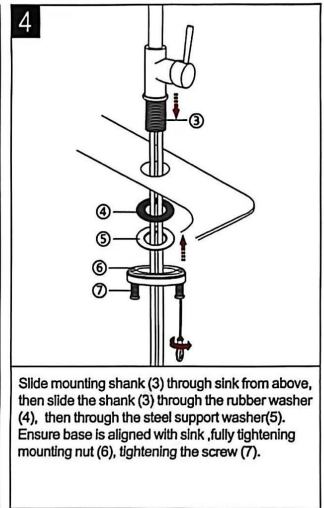
Insert the spring



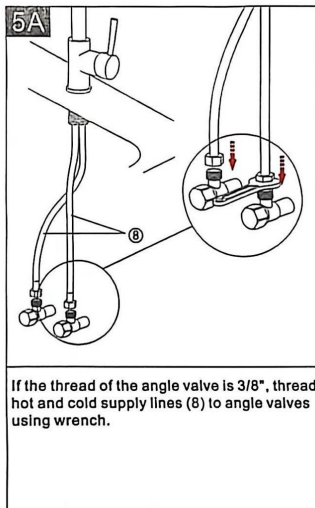
Place gasket (2) into groove on bottom of faucet (1). Insert supply lines (8) through the shank (3) from bottom of the shank.



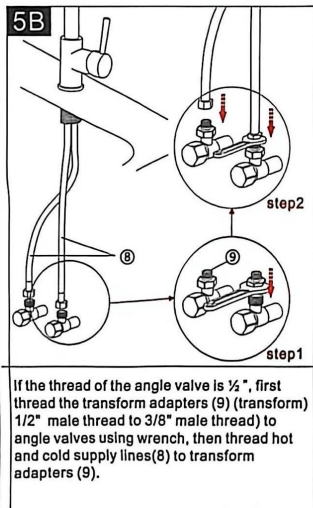
Thread hot and cold supply lines (8) to the faucet, then thread the shank (3) onto the bottom of the faucet.



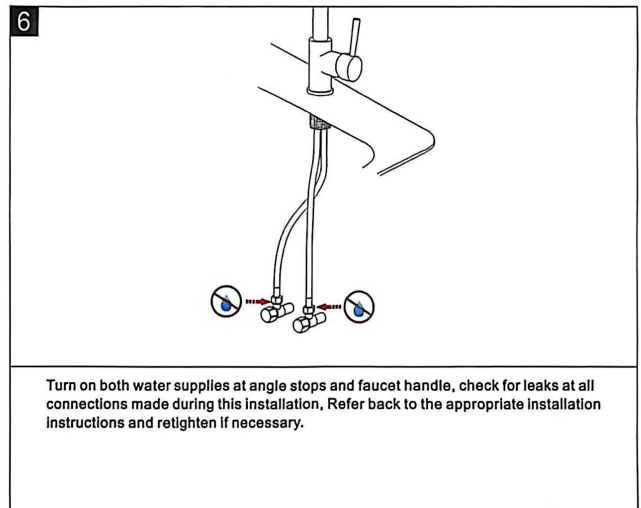
Slide mounting shank (3) through sink from above, then slide the shank (3) through the rubber washer (4), then through the steel support washer (5). Ensure base is aligned with sink, fully tightening mounting nut (6), tightening the screw (7).



If the thread of the angle valve is $\frac{3}{8}$ ", thread hot and cold supply lines (8) to angle valves using wrench.



If the thread of the angle valve is $\frac{1}{2}$ ", first thread the transform adapters (9) (transform $\frac{1}{2}$ " male thread to $\frac{3}{8}$ " male thread) to angle valves using wrench, then thread hot and cold supply lines (8) to transform adapters (9).



Turn on both water supplies at angle stops and faucet handle, check for leaks at all connections made during this installation. Refer back to the appropriate installation instructions and retighten if necessary.