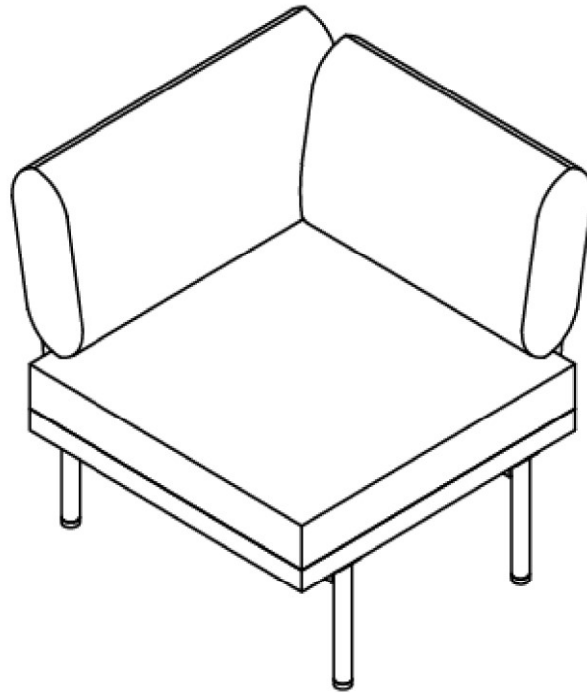


Assembly Instructions

Caution: You must read this before you proceed

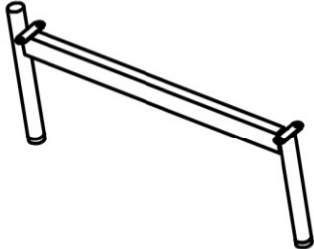
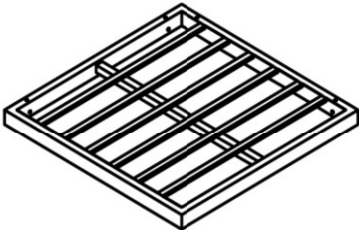
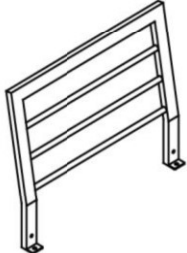
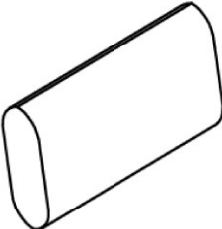
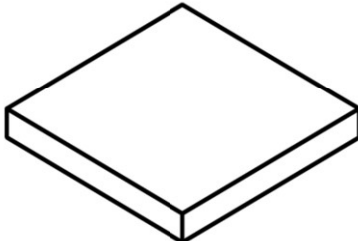
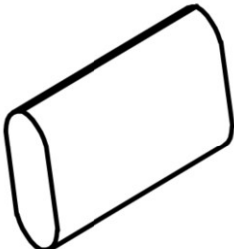
Please look in the Seat Panel for Hardware packs.

Corner Chair

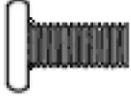






CAUTION: This Corner Chair is NOT a TOY. Keep your child / children at bay during the process of assembly. For turning the Corner Chair and to prevent any possible damage to it, 2 people may be needed to execute this action.

Part List

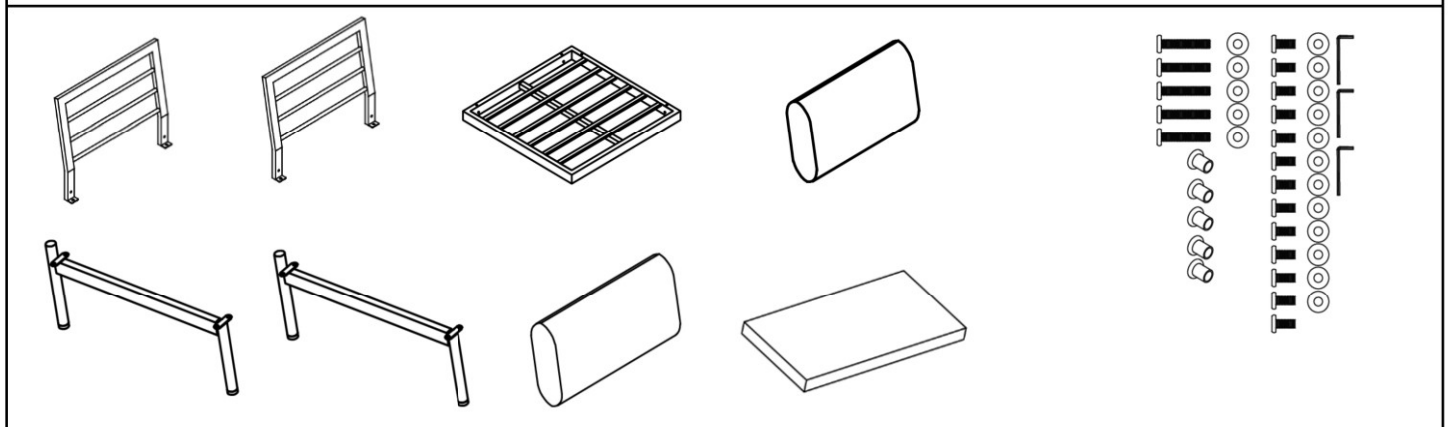
Label	Picture	Description	Qty
C		Leg Panel	2
D		Seat Panel	1
E		Back Panel	2
F		Back Cushion	1
G		Seat Cushion	1
H		Corner Cushion	1

Hardware

Label	Picture	Description	Qty
④		Bolts (M6x15mm)	13
⑤		Flat Washer (M6.5/16x1mm)	17
⑥		Allen Wrench	3
⑦		Bolts (M6x40mm)	5
⑧		Sleeve Nuts (M6)	5

Assembly Preparation

Before Beginning Assembly:





☑ Read instructions, cover to cover.



☑ Have 2 adults on hand for assembly.



☑ Do not assemble on flooring or carpet.



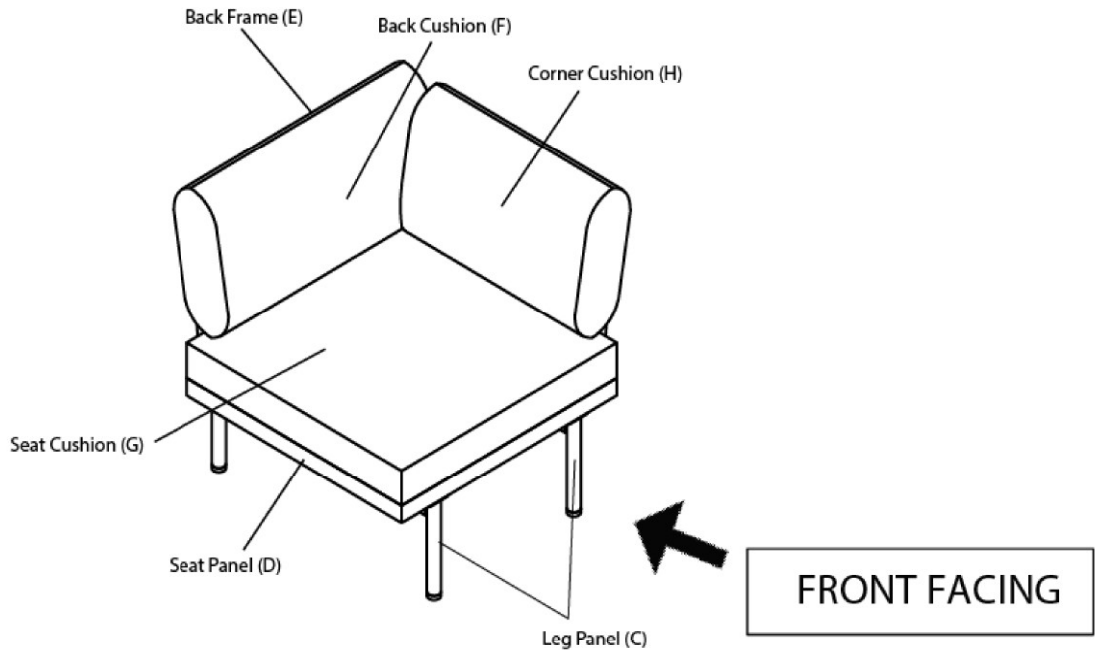
☑ Assemble on a clean non-marring surface (packing foam).



☑ Save all packaging until finished.

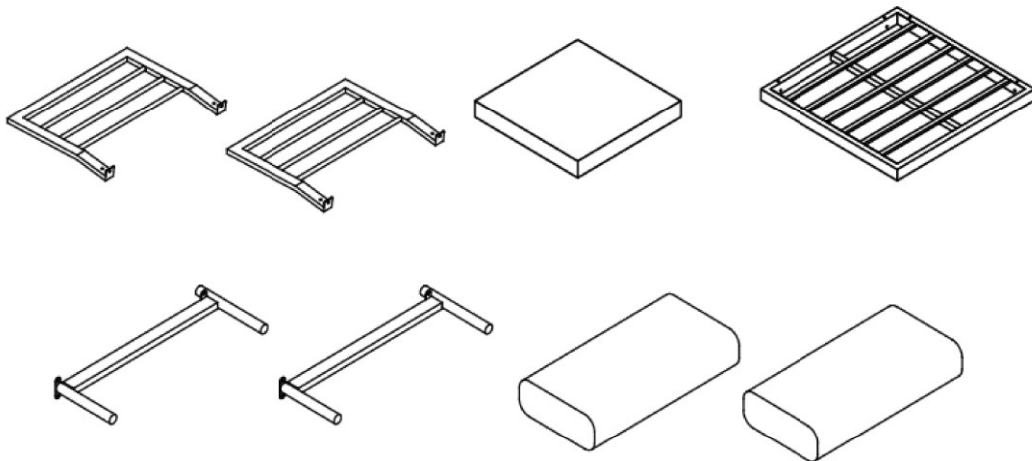
Assembly Steps

Overview



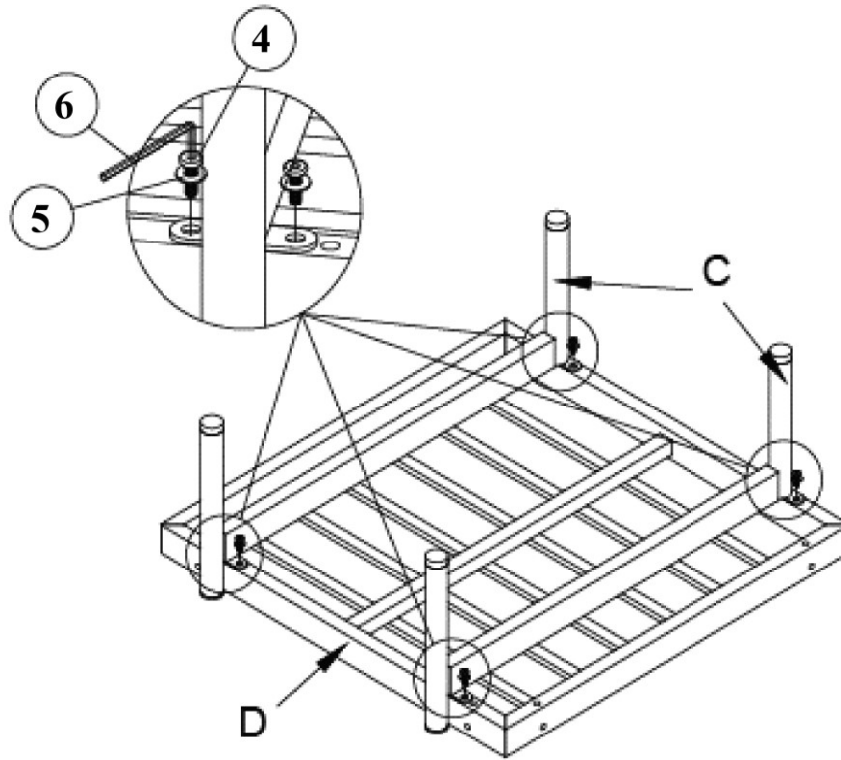
This Corner Chair has multiple parts and may require up to 30 minutes to assemble. To give you an overview of the Corner Chair parts, the above picture is to help you put the various parts into perspective. Please read through the instructions below to familiarise yourself with the parts and steps before assembly.

Step 1



Unpack and place all parts on a clean, non-marring surface.

Step 2



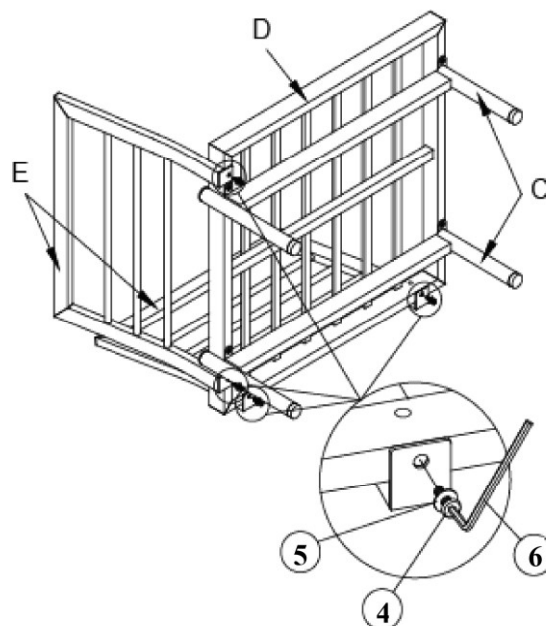
Place the Seat Panel(D) facedown onto a clean, non-marring surface as shown in the picture above.

Attach the Leg Panel(C) to the Seat Panel(D) using Bolts(④) and Washers(⑤) with the Allen Wrench(⑥) as shown in the picture above.

Repeat the same process to install the remaining Leg Panel(C) to the Seat Panel(D).

Do not fully tighten the Bolts.

Step 3

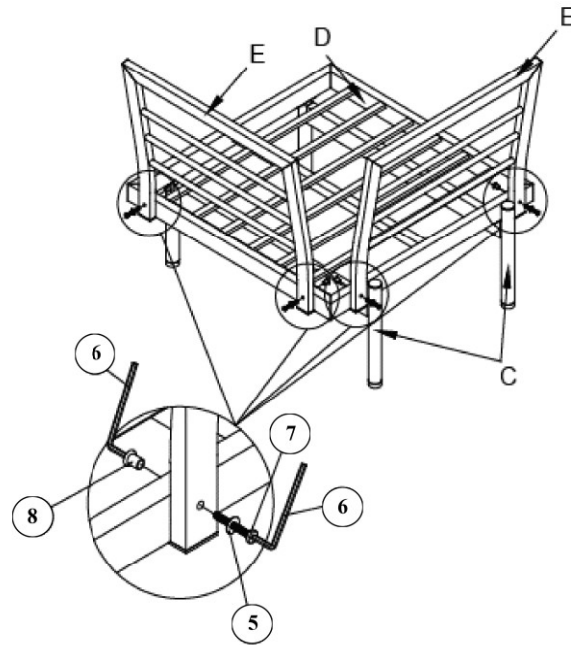


With assistance from your adult partners, attach the Back Frame(E) to the Seat Panel(D) using Bolts(④) and Washers (⑤) with the Allen Wrench(⑥) as shown in the picture above.

Repeat the same process to install the remaining Back Frame(E) to the Seat Panel(D).

Do not fully tighten the Bolts.

Step 4

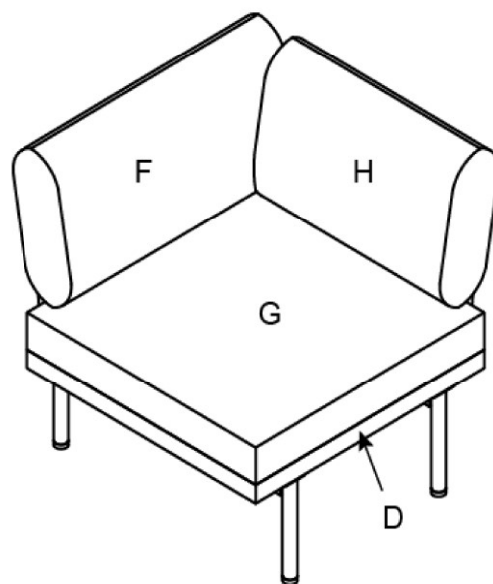


Attach the Back Frame(E) to Seat Panel(D) using Bolts(⑦), Sleeve Nuts(⑧) and Washers(⑤) with the Allen Wrench(⑥) as shown in picture above.

Repeat the same process to install the remaining Back Frame(E) to the Seat Panel(D).

Do not fully tighten the Bolts.

Step 5



Place the Seat Cushion(G), Back Cushion(F) and the Corner Cushion(H) onto the Seat Panel(D).

Then EXERT pressure, floorwards onto the Corner Chair with both hands.

This pressure will help the Corner Chair reach full alignment at all joints.











In a sequential manner, gradually tighten Bolts at all joints until evenly secured.

Inspect the Corner Chair and make sure all parts are adequately connected.

Your Corner Chair is ready for use.

This Corner Chair can only be used on a flat, level surface.

Care & Maintenance

- ⊘  ● Prolonged exposure to rain may cause rusting which can stain floors.
- ⊘  ● Do not put hot items directly on furniture surface.
- ⊘  ● Do not clean furniture with harsh cleansers or polish.
- ✓  ● To obtain the longest lifespan of your outdoor products, minimizing exposure to direct sunlight is recommended.
- ⊘  ● Children should not climb or jump on the furniture.
- ⊘  ● Do not write on furniture without a padded barrier to protect the surface.
- ✓  ● To obtain the longest lifespan of your outdoor products, avoid extended and lengthy exposure to rain, snow, and direct sunshine. Whenever possible cover the product and /or place under patio or awnings.
- ⊘  ● Not for commercial use. For residential use only.
- ⊘  ● Stains may be removed with mild soap solution and damp cloth.
- ✓  ● Dust and pick-up spills using a clean, non-colored, lint-free cloth.