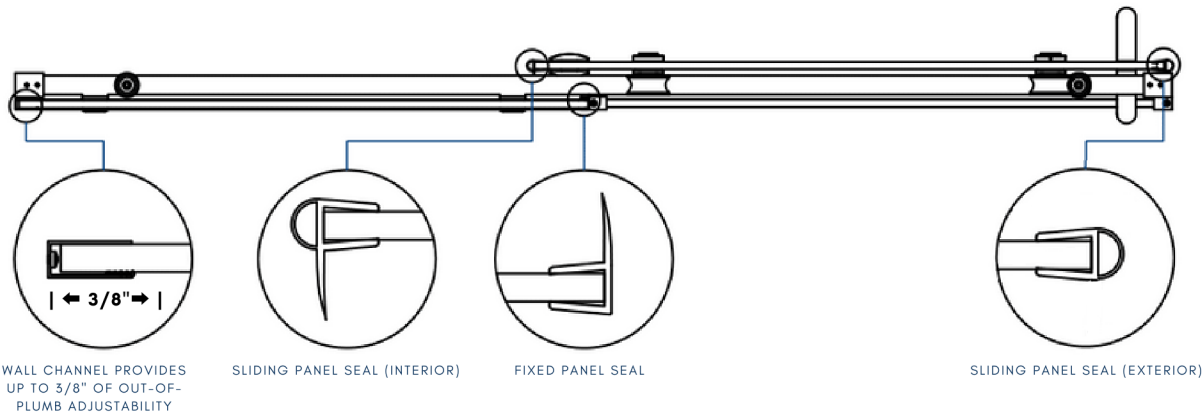
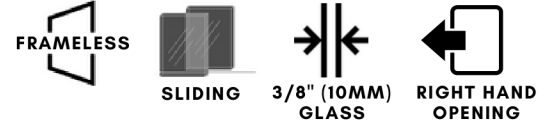
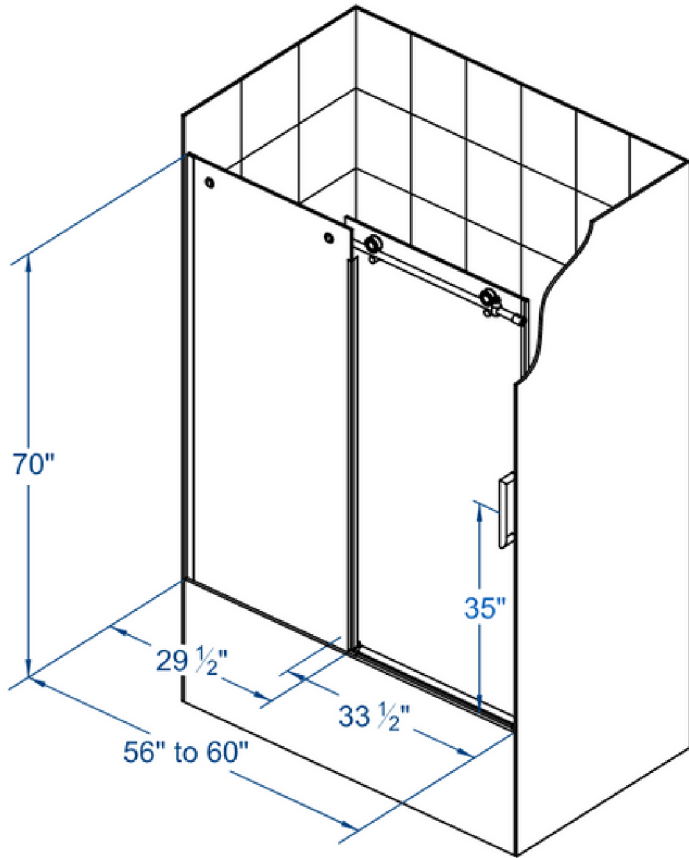


'XX' REPRESENTS HARDWARE FINISH CODE

CLEAR GLASS WITH **STARCAST** BY **ENDUROSHIELD** COATING



LANGHAM XL CLEAR GLASS MODELS INCLUDE PROFESSIONALLY APPLIED:



PROFESSIONAL, LICENSED INSTALLATION IS HIGHLY RECOMMENDED WITH AT LEAST TWO ADULTS INVOLVED IN THE PROCESS.

DRAWING SHOWN IS REPRESENTATIVE OF ACTUAL PRODUCT AND NOT TO SCALE. ASTON GLOBAL RESERVES THE RIGHT TO MODIFY OR UPDATE THE MATERIAL OR HARDWARE PICTURED WITHOUT PRIOR NOTICE FOR THE PURPOSE OF PRODUCT IMPROVEMENT AND CUSTOMER SATISFACTION.

**QUESTIONS &
PRODUCT SUPPORT**



SUPPORT@ASTONBATH.COM



1-877-424-9699 | OPTION
(8:30AM - 5:30PM CST; MON TO FRI)



ASTONBATH.COM