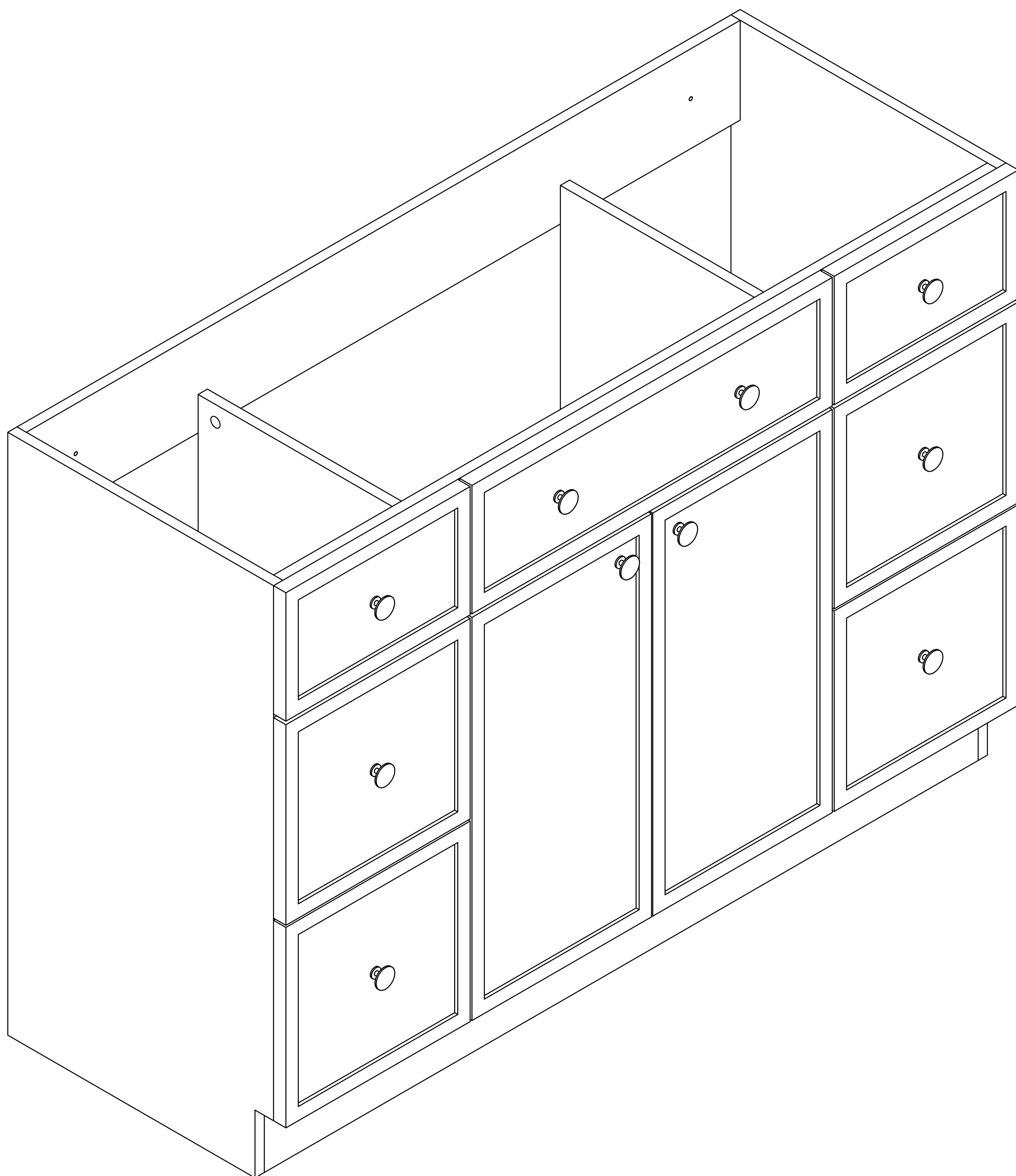


# ASSEMBLY INSTRUCTION

ITEM NO. THKFBV238



# IMPORTANT NOTICE

## **Workspace Safety**

Keep the workspace clear of clutter and ensure it's well-lit. A clean, flat surface is essential.

## **Read Instructions**

Read the entire assembly guide before starting. Skipping steps can compromise safety.

## **Use Proper Tools**

Use the tools provided or recommended. Avoid overtightening screws.

## **Secure Furniture**

Use the tools provided or recommended. Avoid overtightening screws.

## **Handle Small Parts**

Keep small parts away from children and pets to avoid choking hazards.

## **Get Help**

Don't hesitate to ask for help with heavy or complex pieces.

## **Inspect Regularly**

Periodically check for loose screws or wobbly parts and tighten as needed.

Follow these tips for a safe assembly process.

# CARE AND CLEANING

Many cleaners contain abrasive and chemical substance which is not suitable for cleaning stainless steel, enamel, plating or plastic products. You may use mild cleansers or soaps to clean the surfaces. Wipe any splashes of cleaner solutions from the surface with a clean soft cloth.

Maintain ventilation in the bathroom and separate the dry area from the damp one if conditions permit. Try to open the door and windows of the bathroom to maintain adequate ventilation.

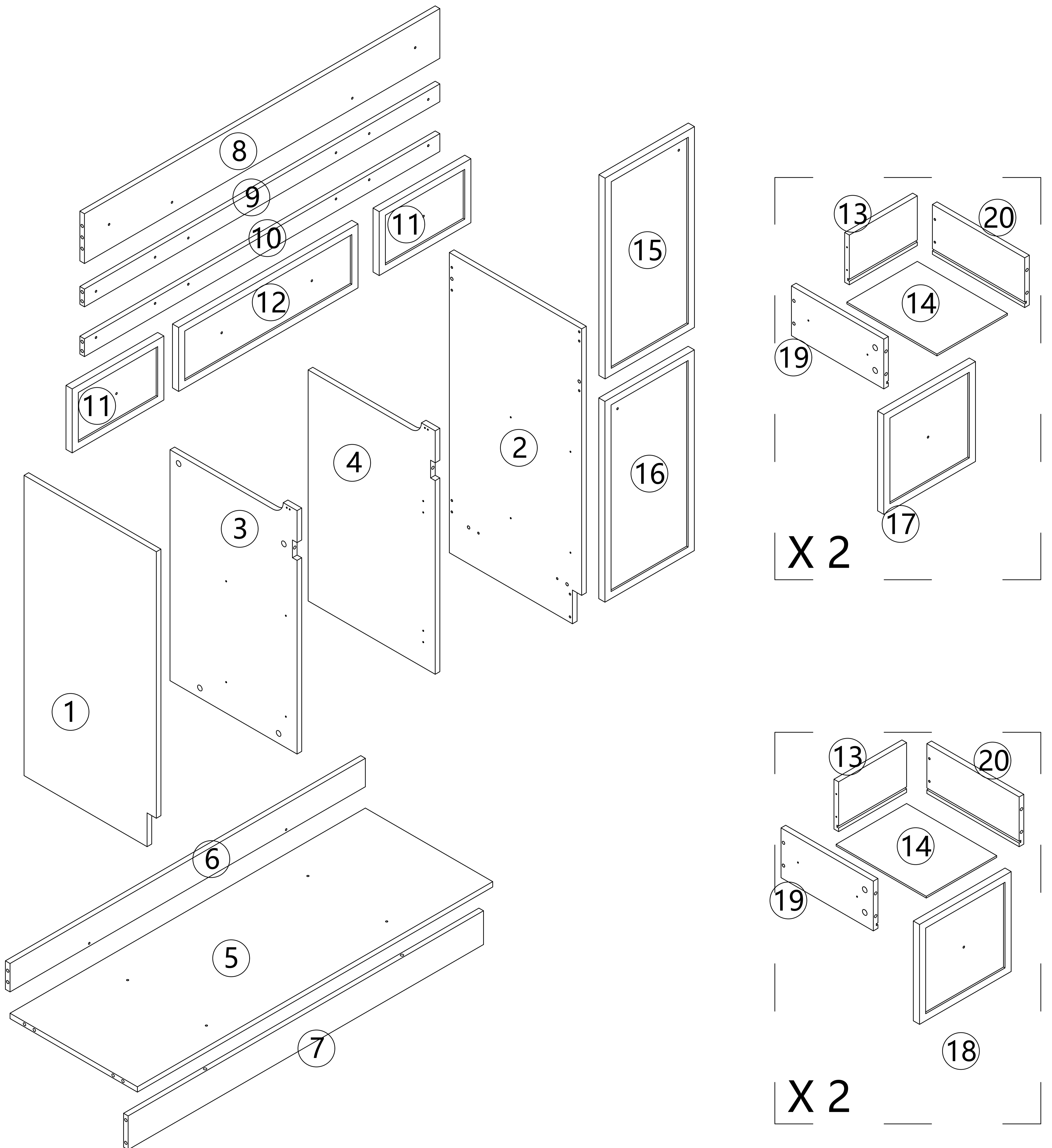
This cabinet is built to withstand normal bathroom humidity. For best results, keep this vanity dry and take necessary steps to minimize bathroom humidity by opening windows and doors and using the exhaust fan (if available).

To maintain the cabinet door, clean and wipe the door regularly with a soft cloth. Wipe condensation with a dry, soft cloth. Keep away from high temperatures.

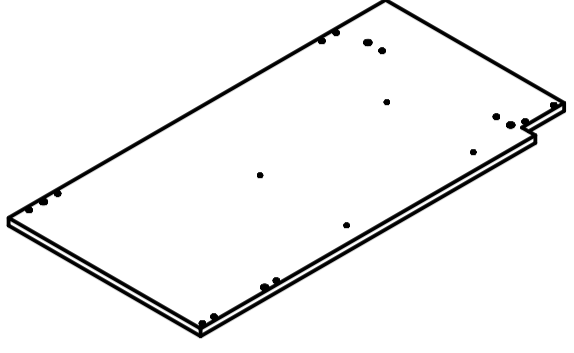
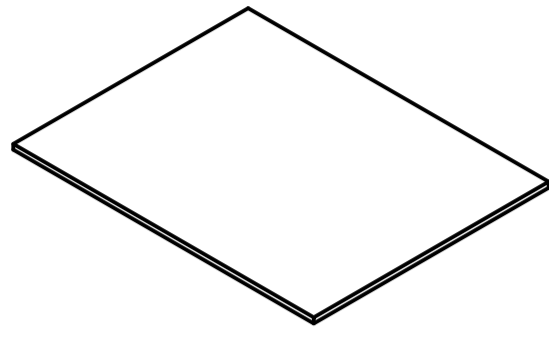
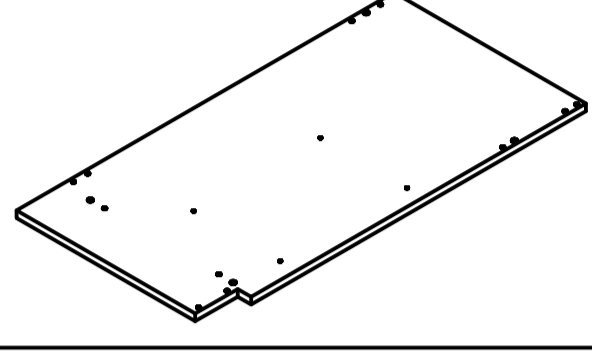
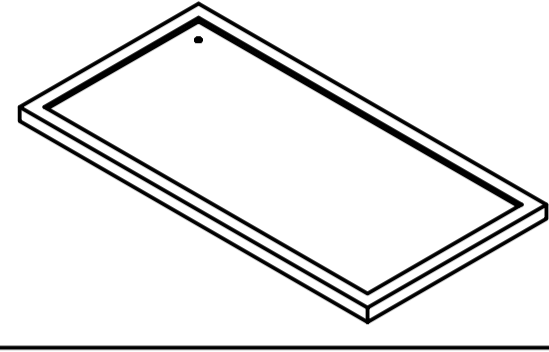
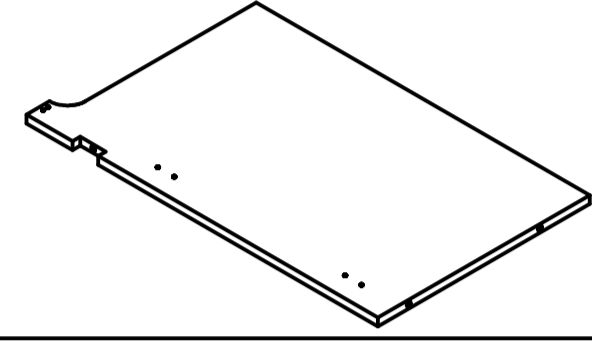
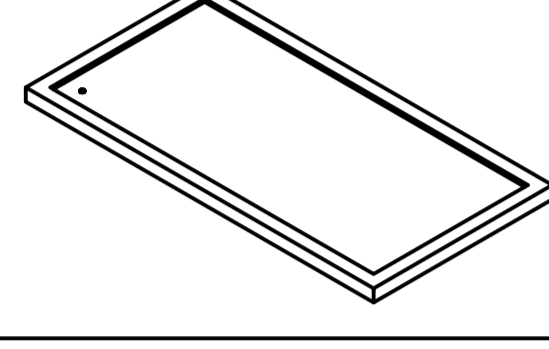
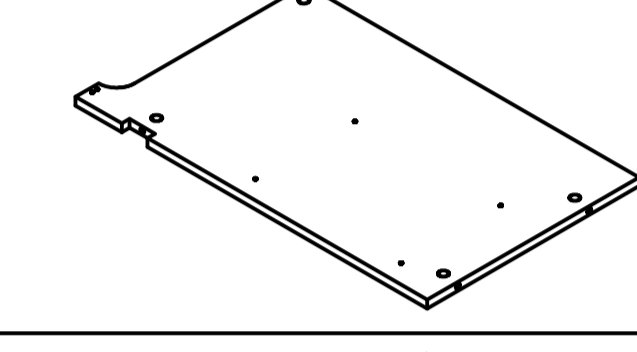
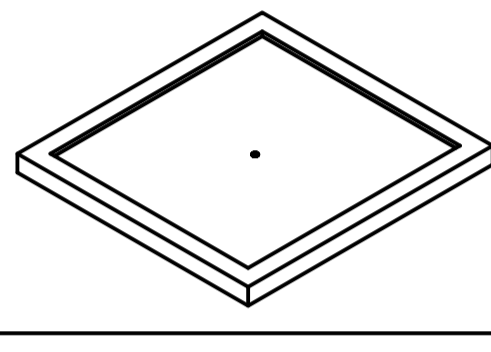
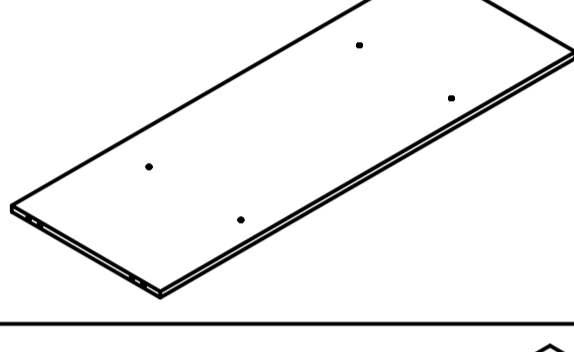
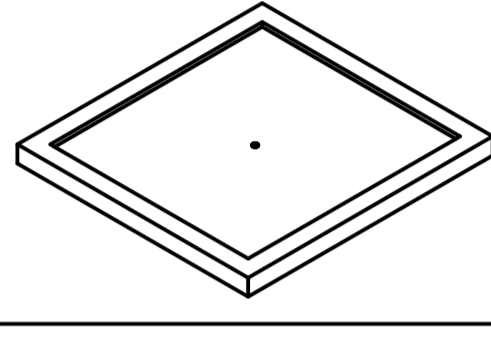
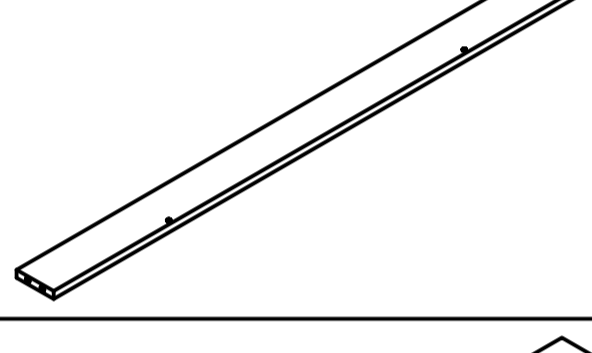
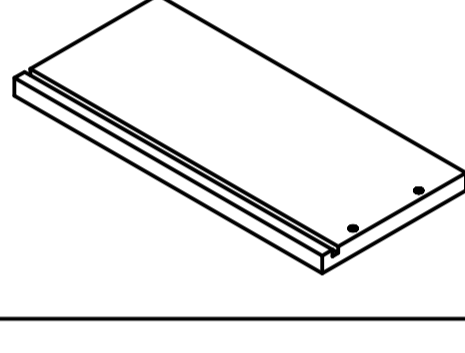
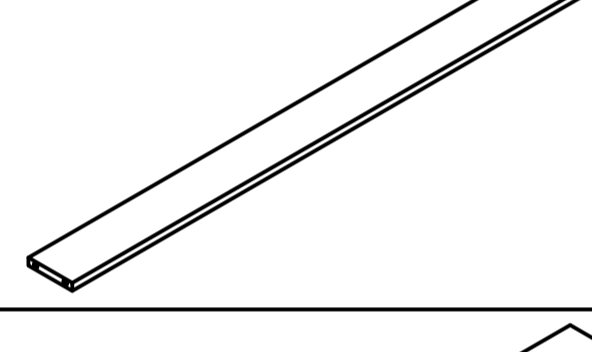
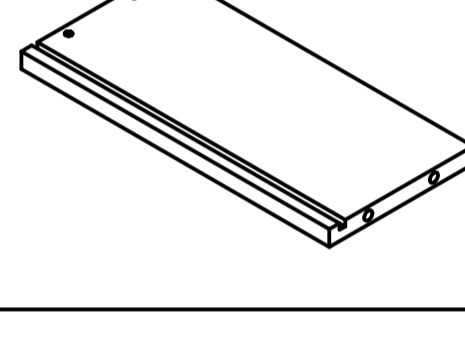
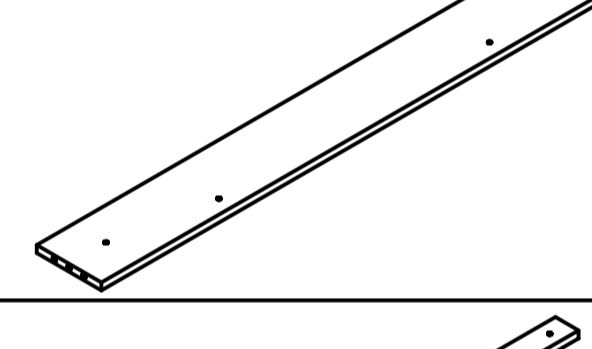
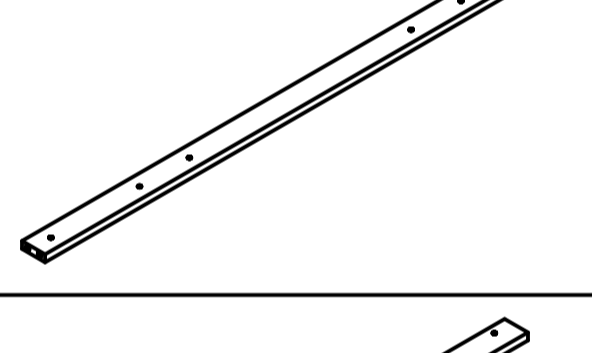
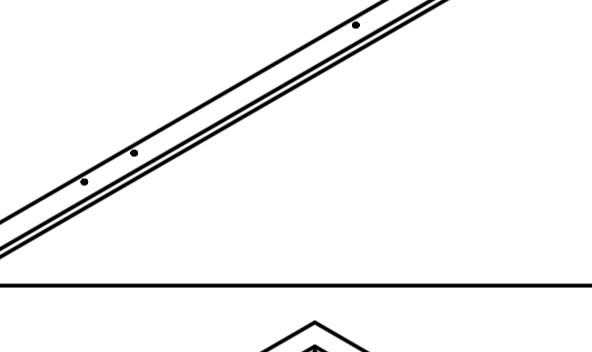
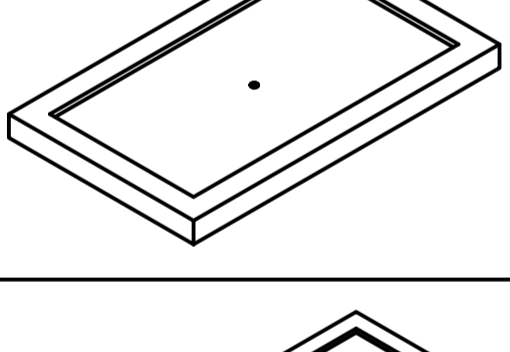
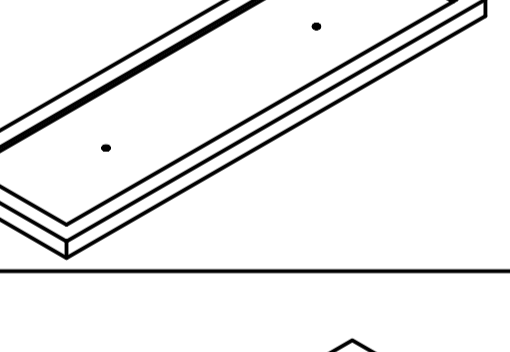
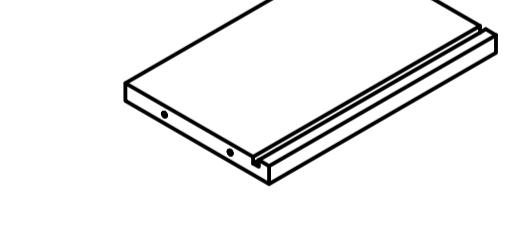
Please do not sit, lean or step on the basin cabinet.

# ASSEMBLY DIAGRAM

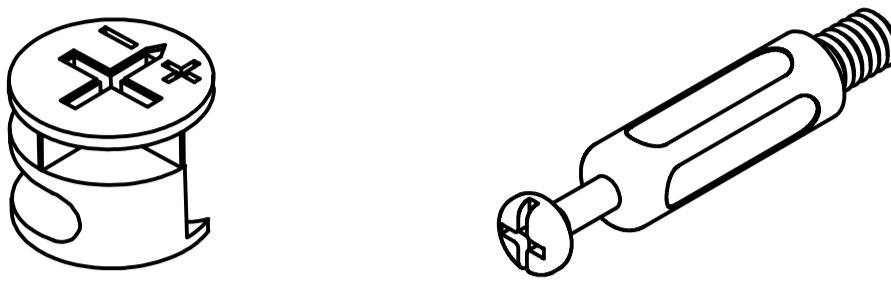
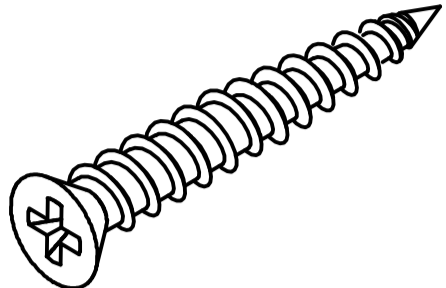
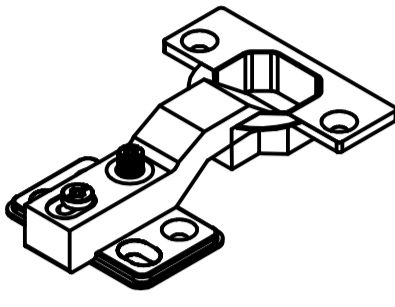
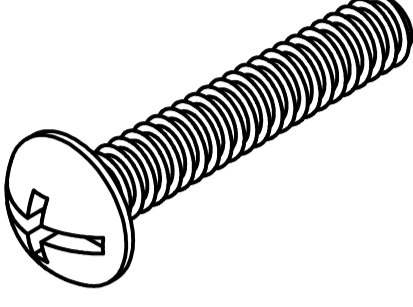
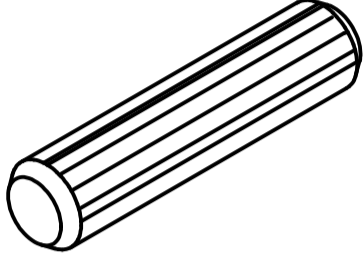
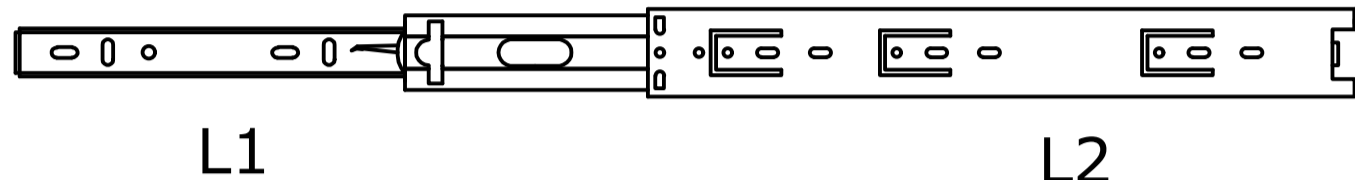
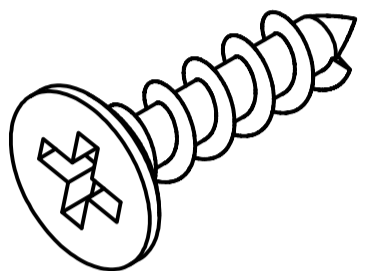
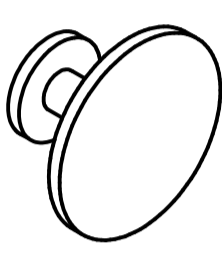
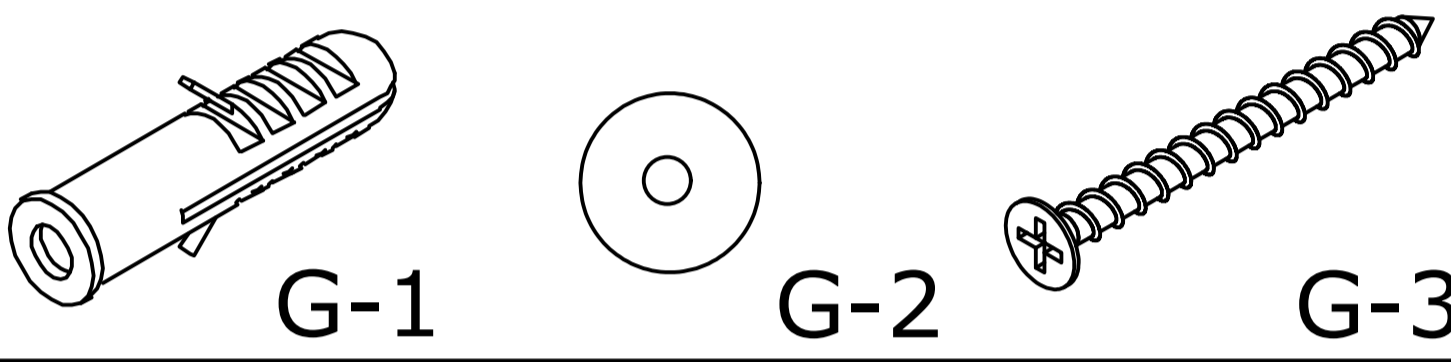
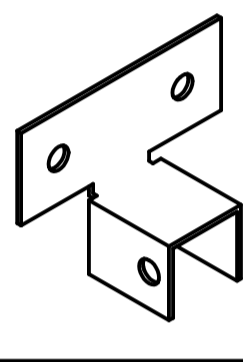
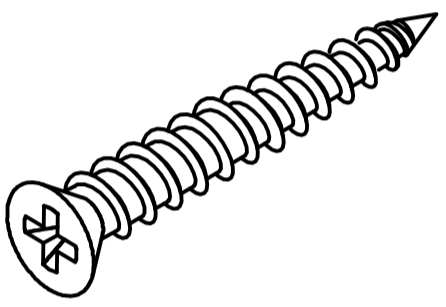
1. Refer to the exploded view below for the approximate location of each component.
2. Each part is labeled for easy identification.
3. Follow the assembly instructions carefully to ensure proper installation.



# PARTS LIST

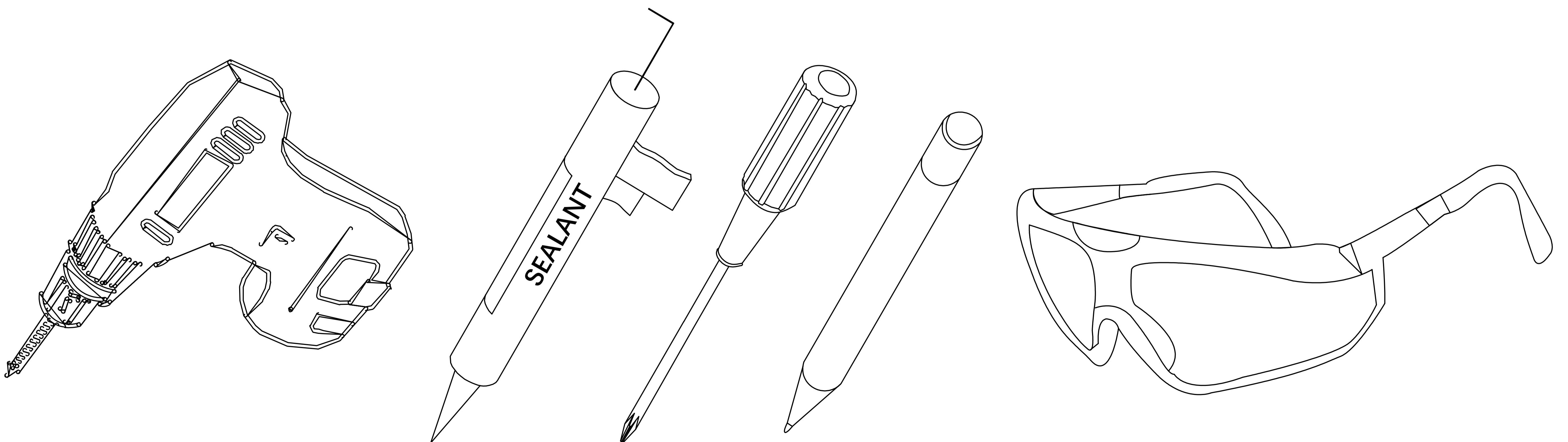
NO.	Description	QTY	NO.	Description	QTY
1		1	14		4
2		1	15		1
3		1	16		1
4		1	17		2
5		1	18		2
6		1	19		4
7		1	20		4
8		1			
9		1			
10		1			
11		2			
12		1			
13		4			

# HARDWEAR LIST

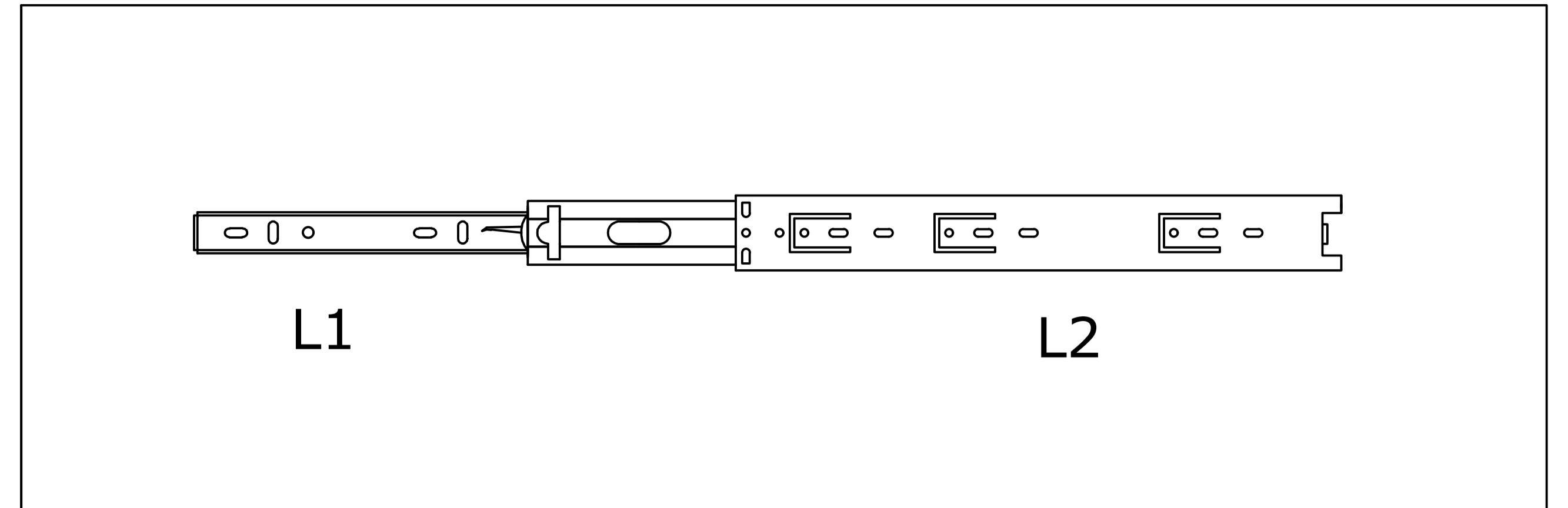
NO.	Description	QTY	NO.	Description	QTY
A	 $\phi 4 \times 35 \text{ mm}$	50	J	 $\phi 4 \times 35 \text{ mm}$	16
B		4	K	 $\phi 4 \times 19 \text{ mm}$	10
C	 $\phi 8 \times 30 \text{ mm}$	8	L	 L1 L2	8
D	 $\phi 4 \times 14 \text{ mm}$	64	M		10
G	 G-1 G-2 G-3	2	N		2
H	 $\phi 4 \times 25 \text{ mm}$	12			

**CAUTION:** Please confirm the parts list before installation

## YOU MAY NEED (NOT SUPPLIED)



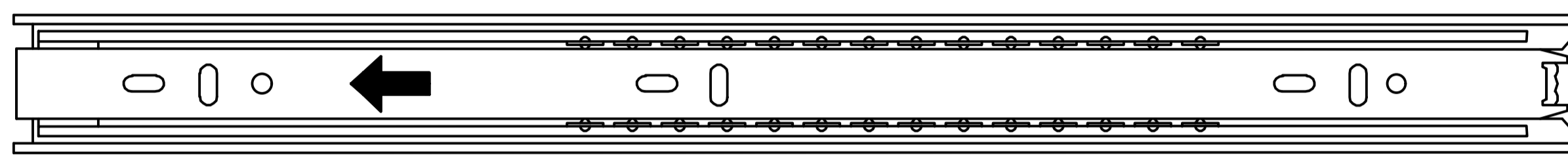
# 1



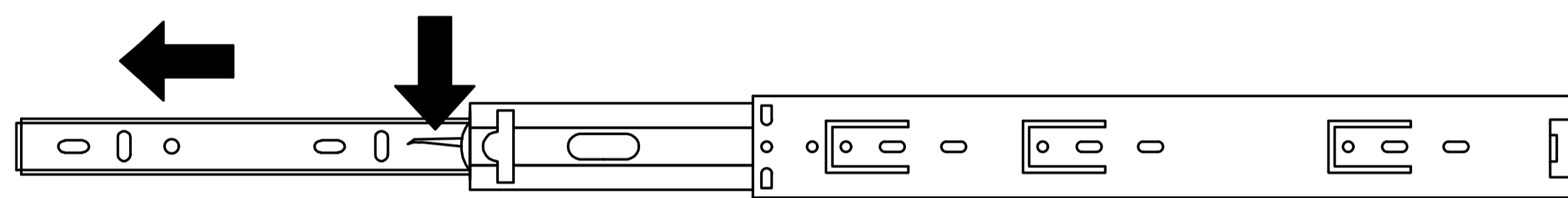
## TIPS

### How To Separate A Ball Bearing Slider

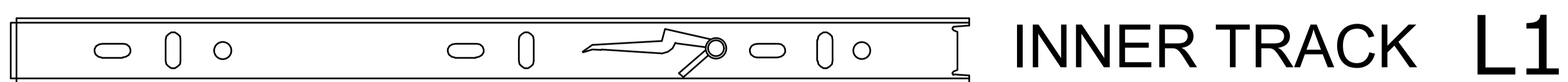
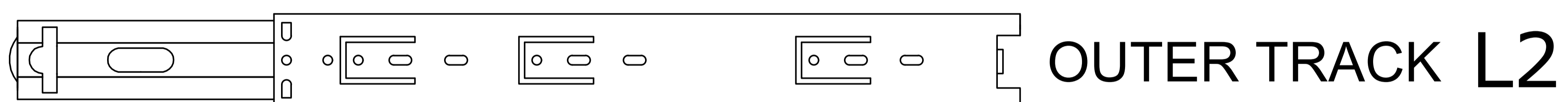
1) Pull toward arrow to open the slider until it's stops and then flip it over



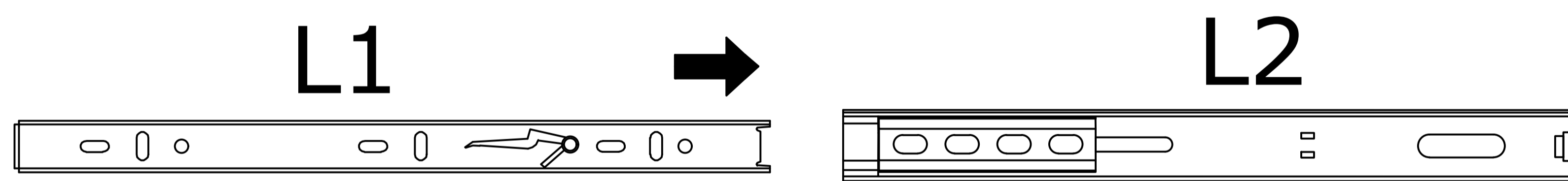
2) Push plastic lever down and pull apart the slider at the same time



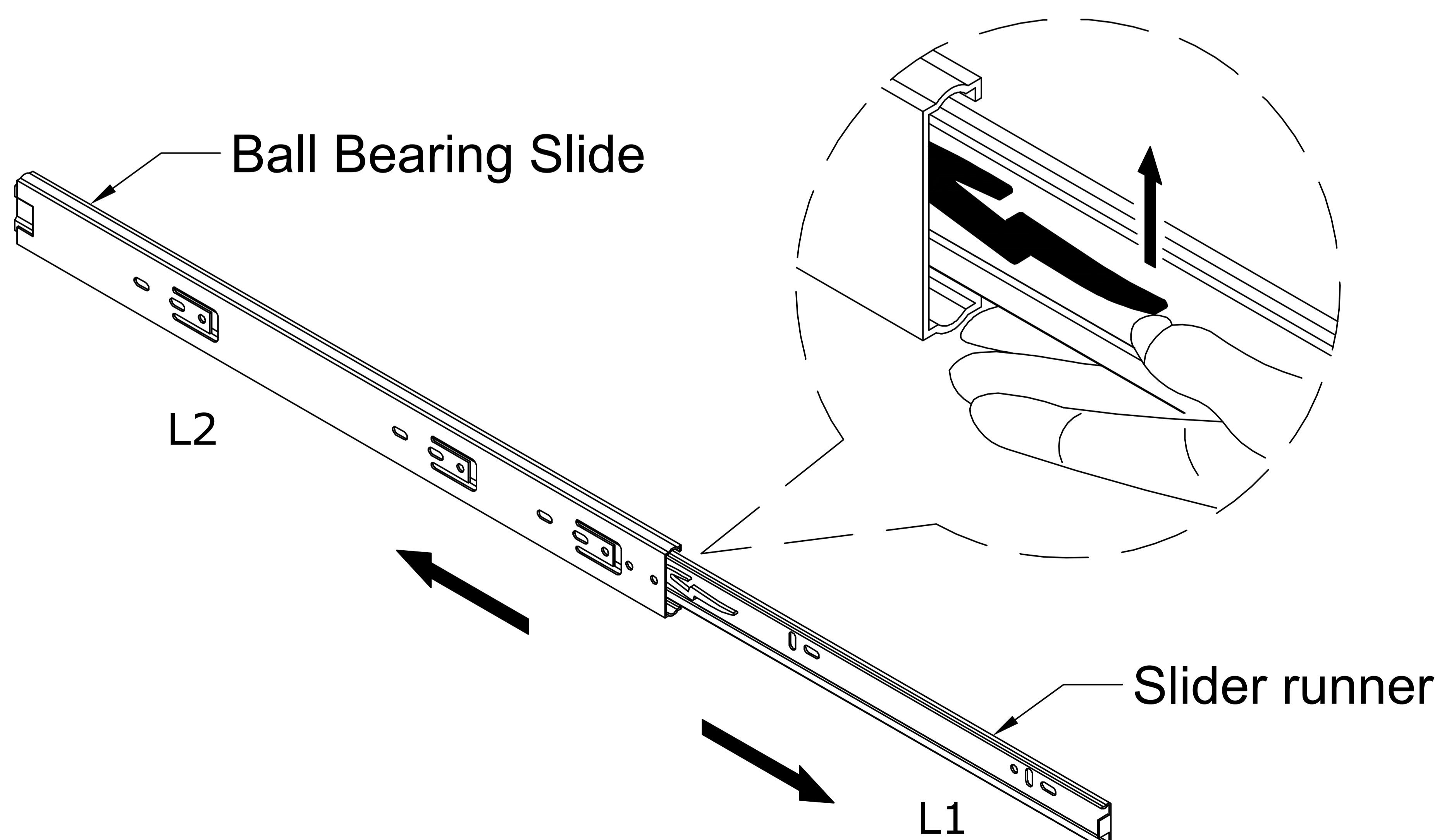
3) After disassembly



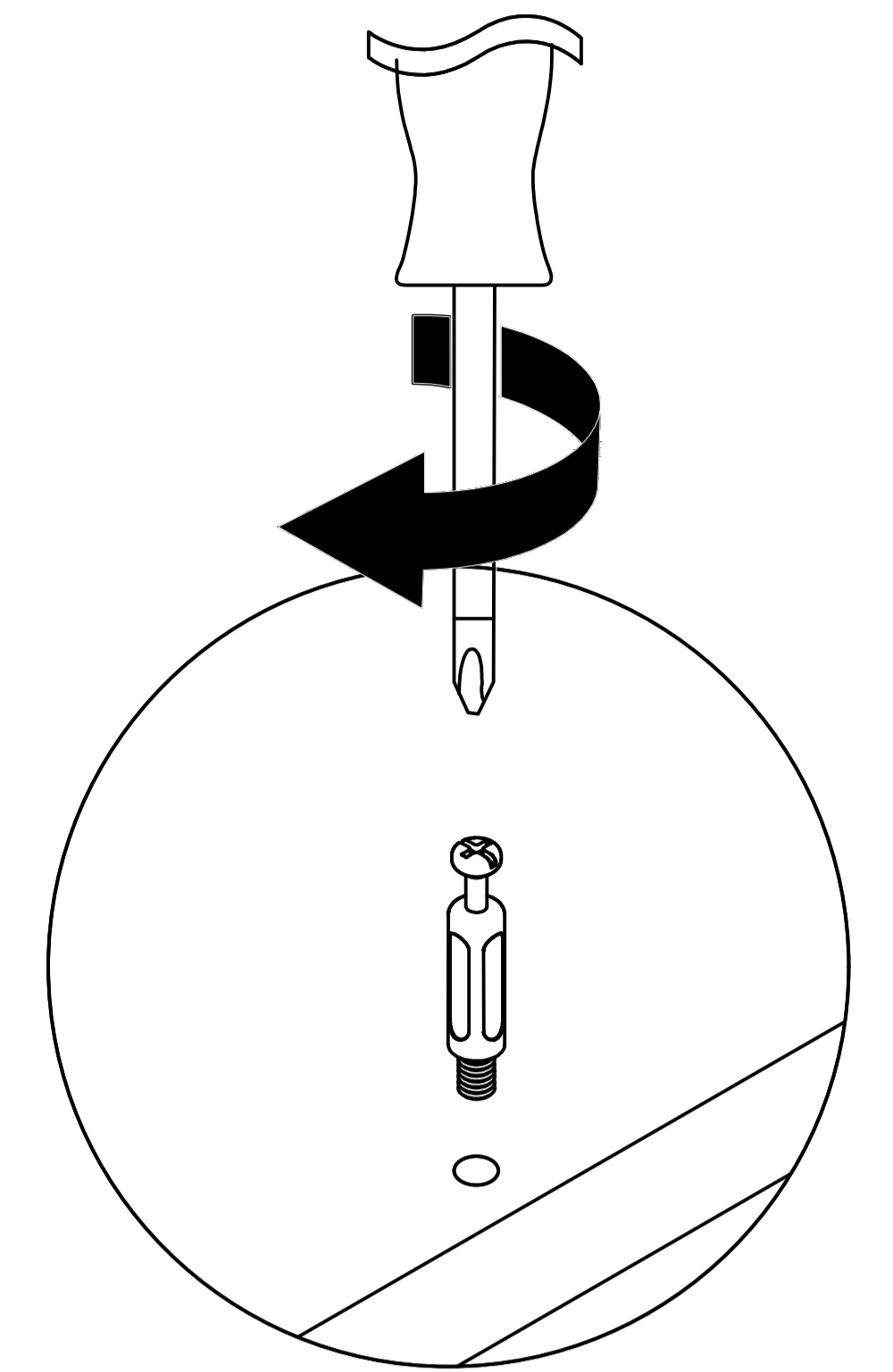
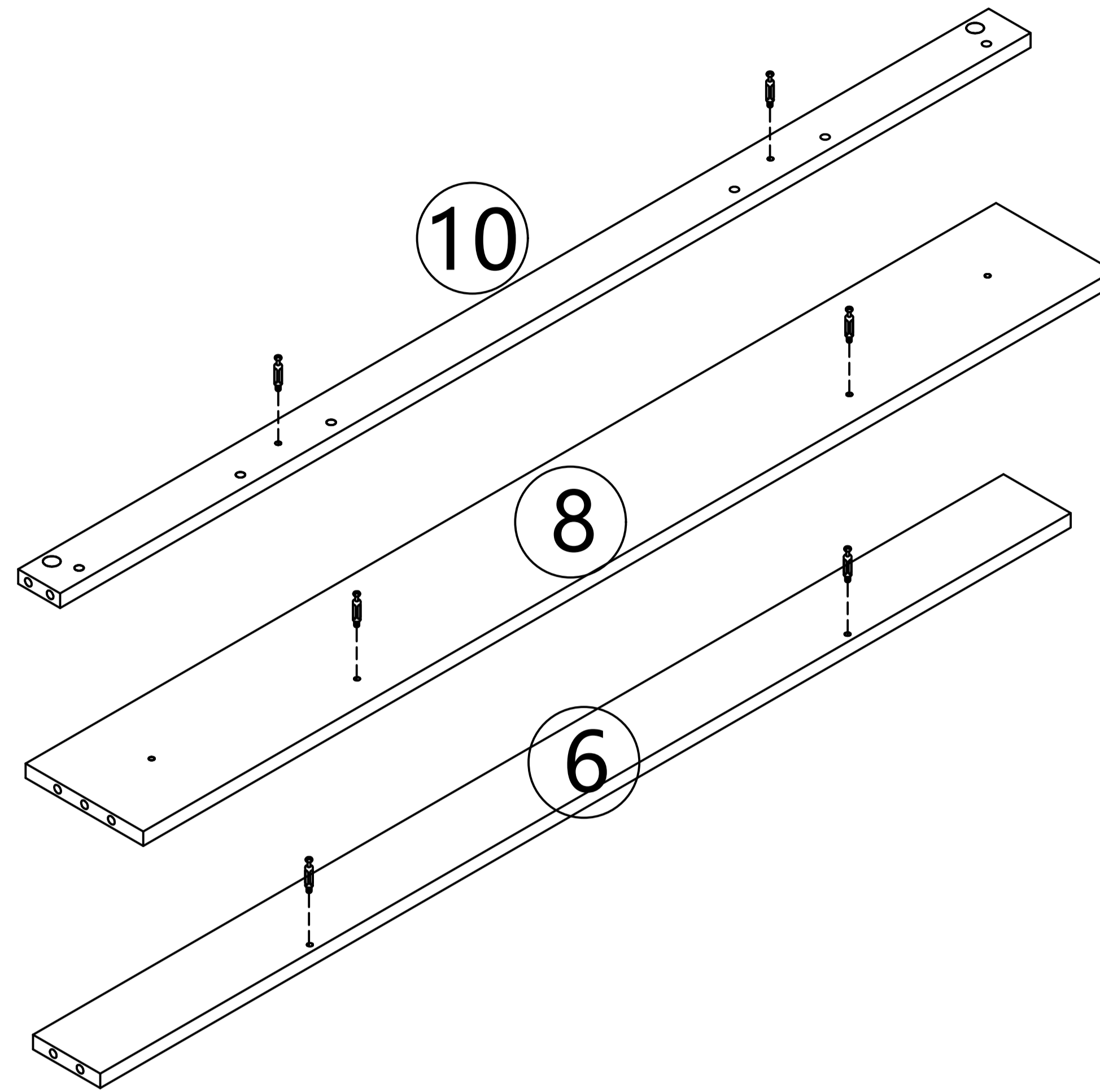
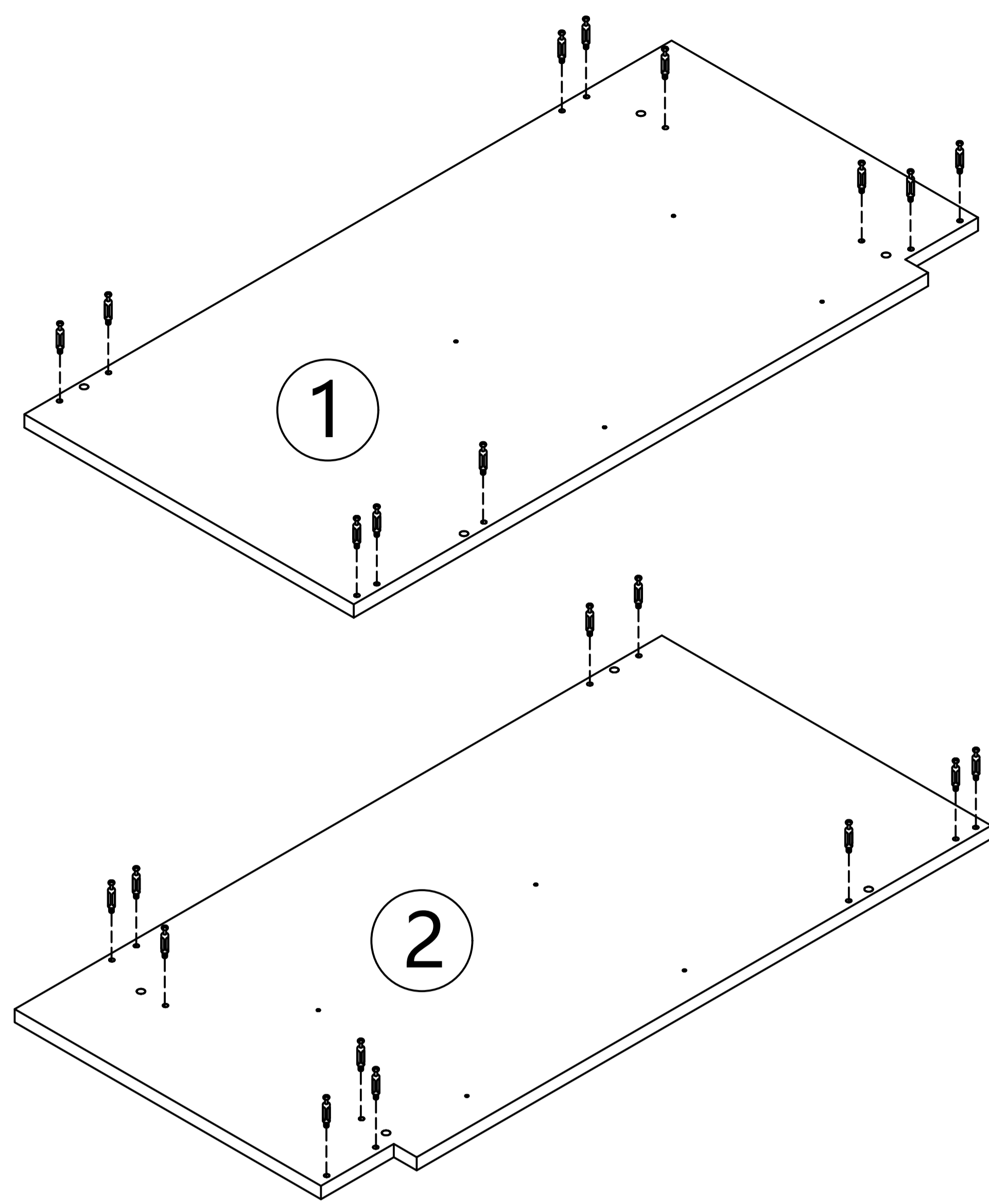
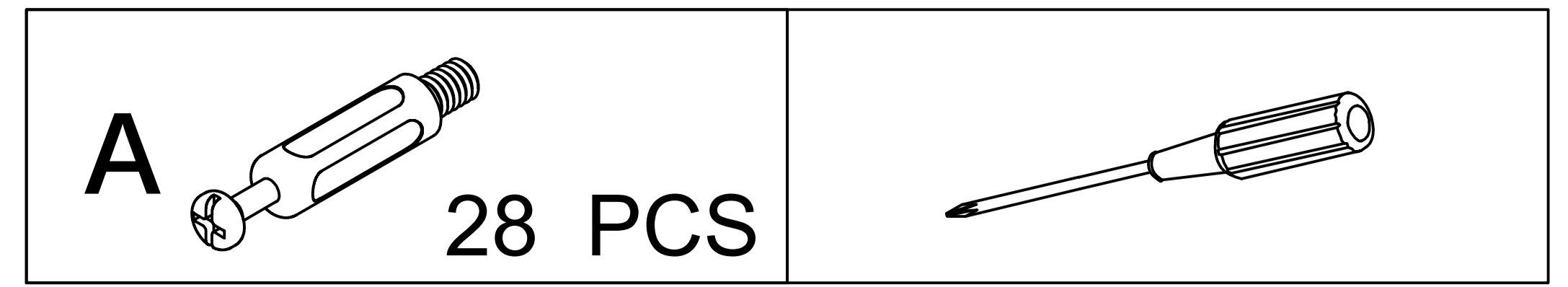
### How to Assemble the Slider



Align the outer track(L2) with the center of the inner track(L1) and push in.

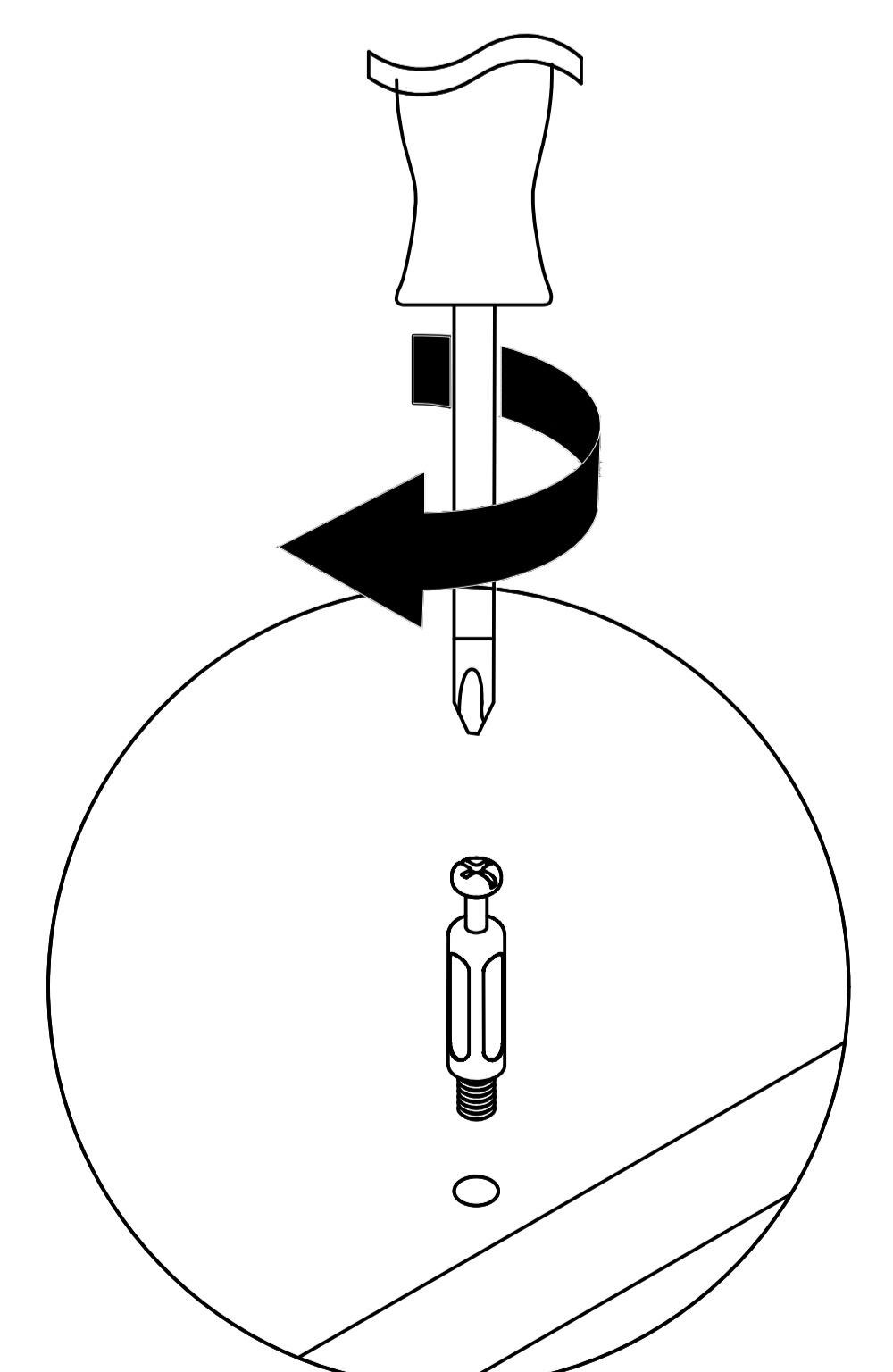
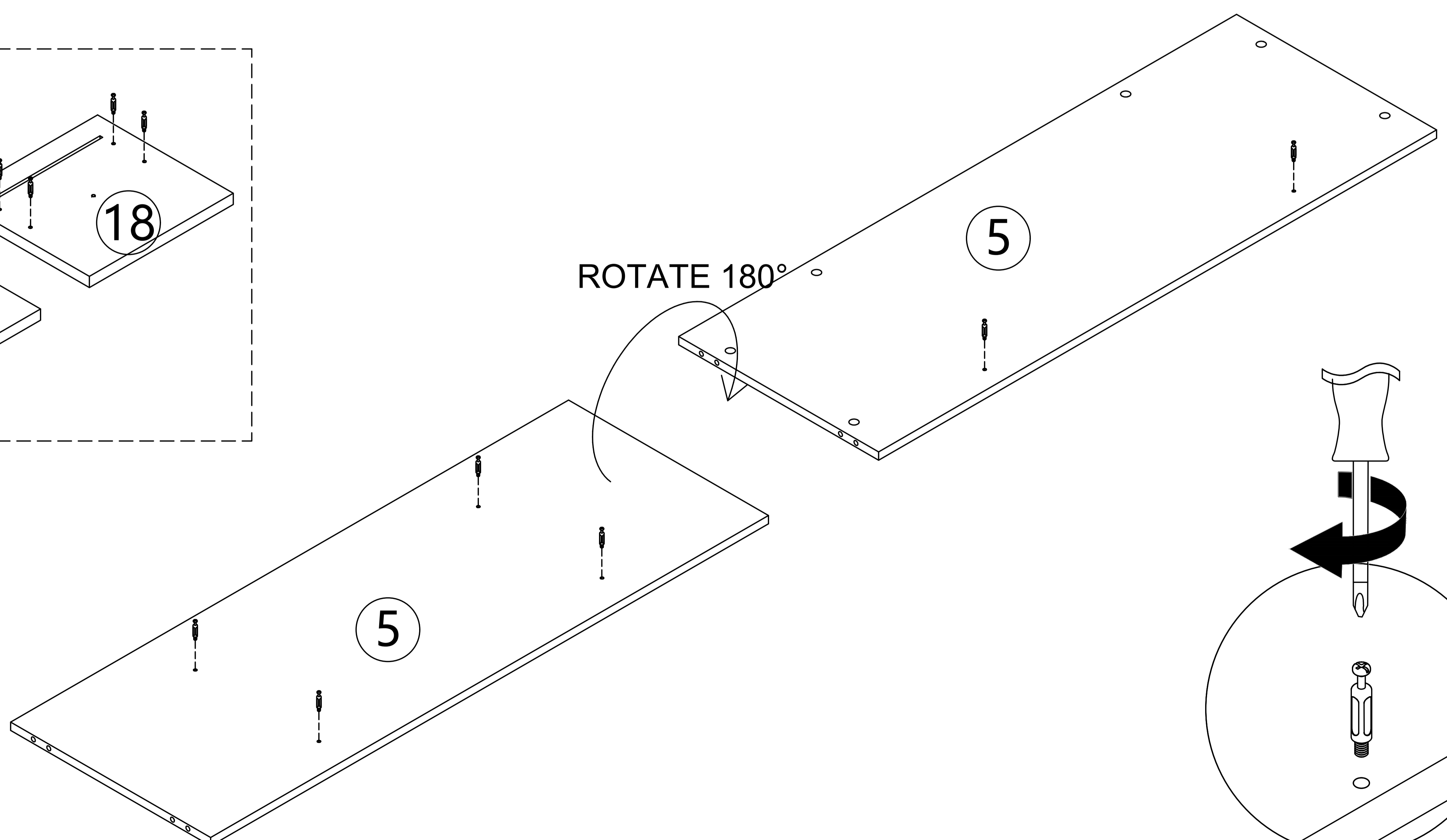
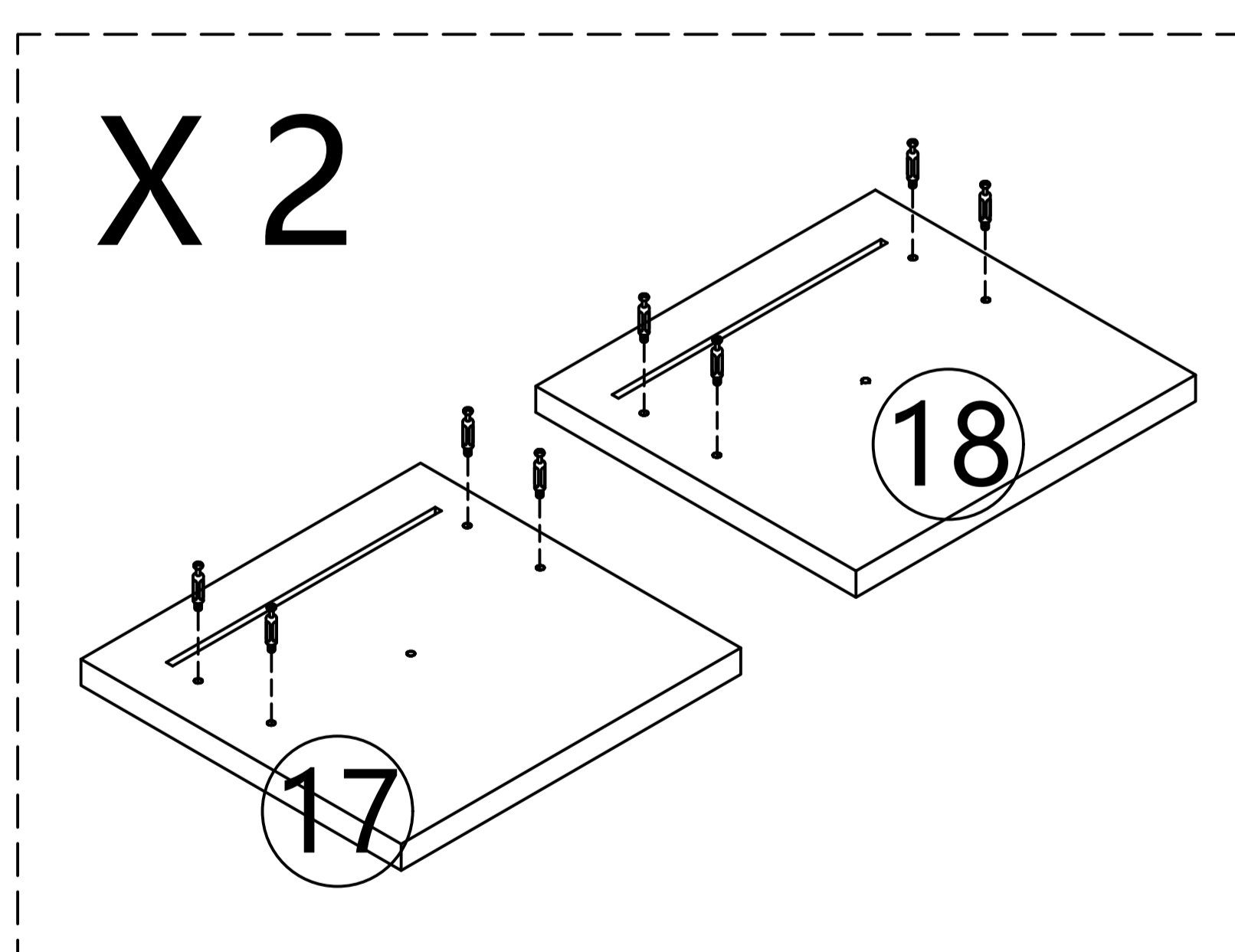
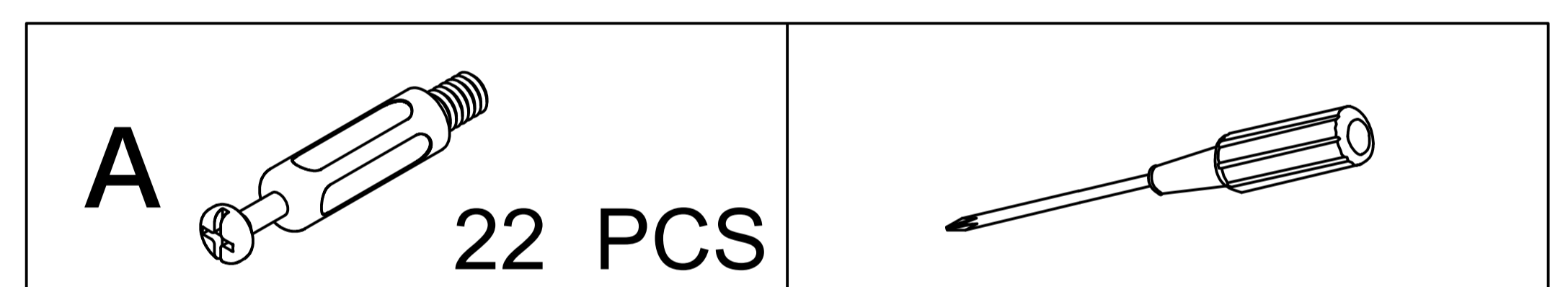


# 2



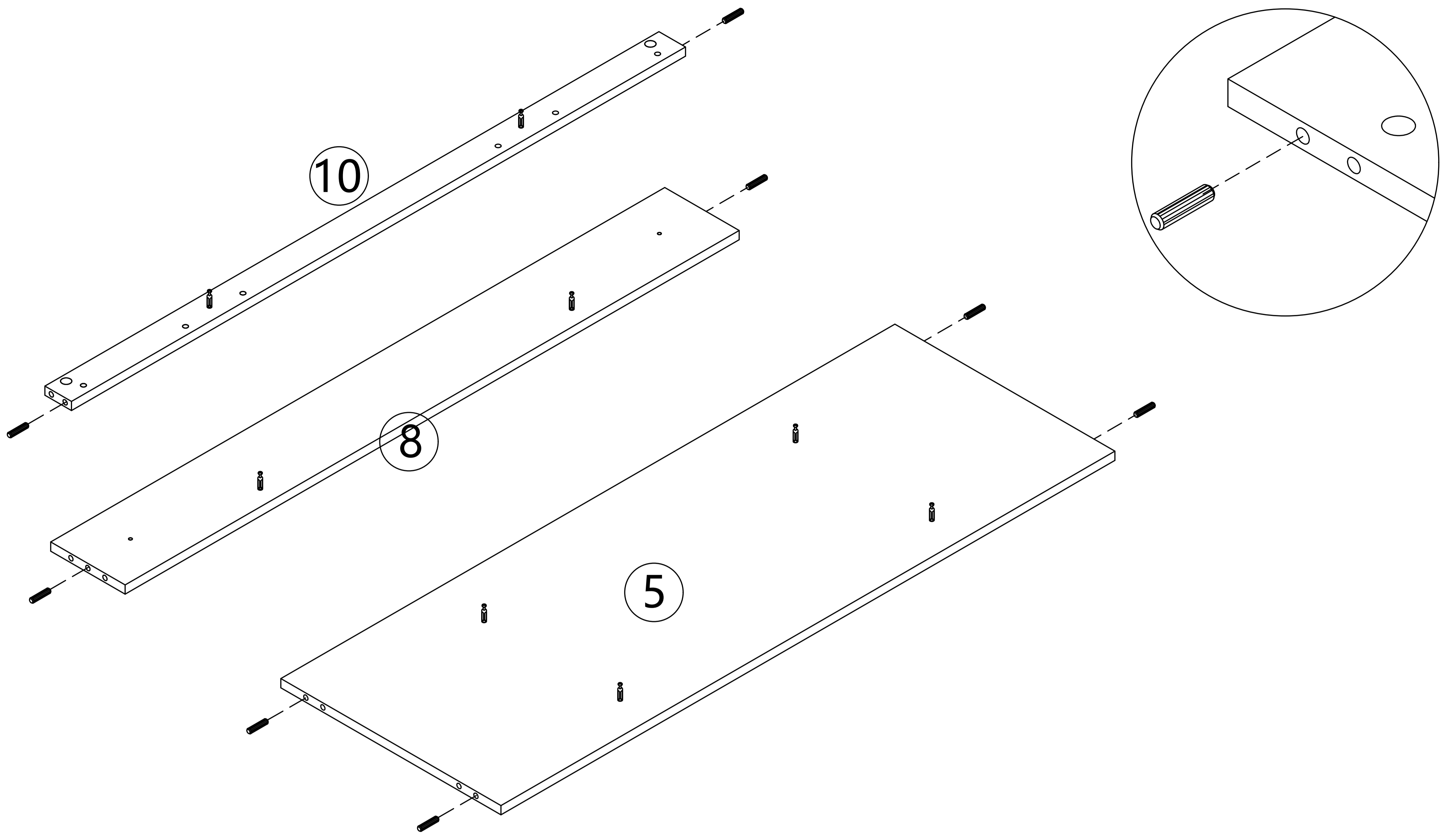
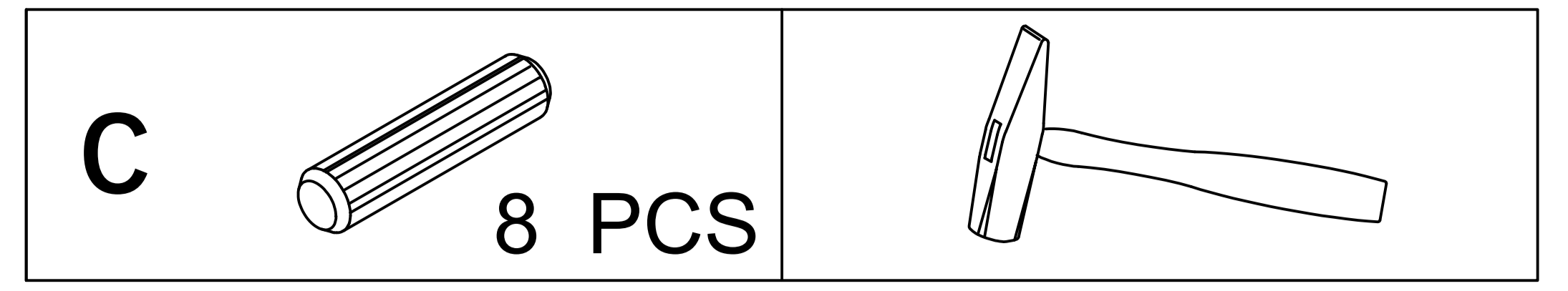
- Insert the Cam Screw into the shelves above.

# 3



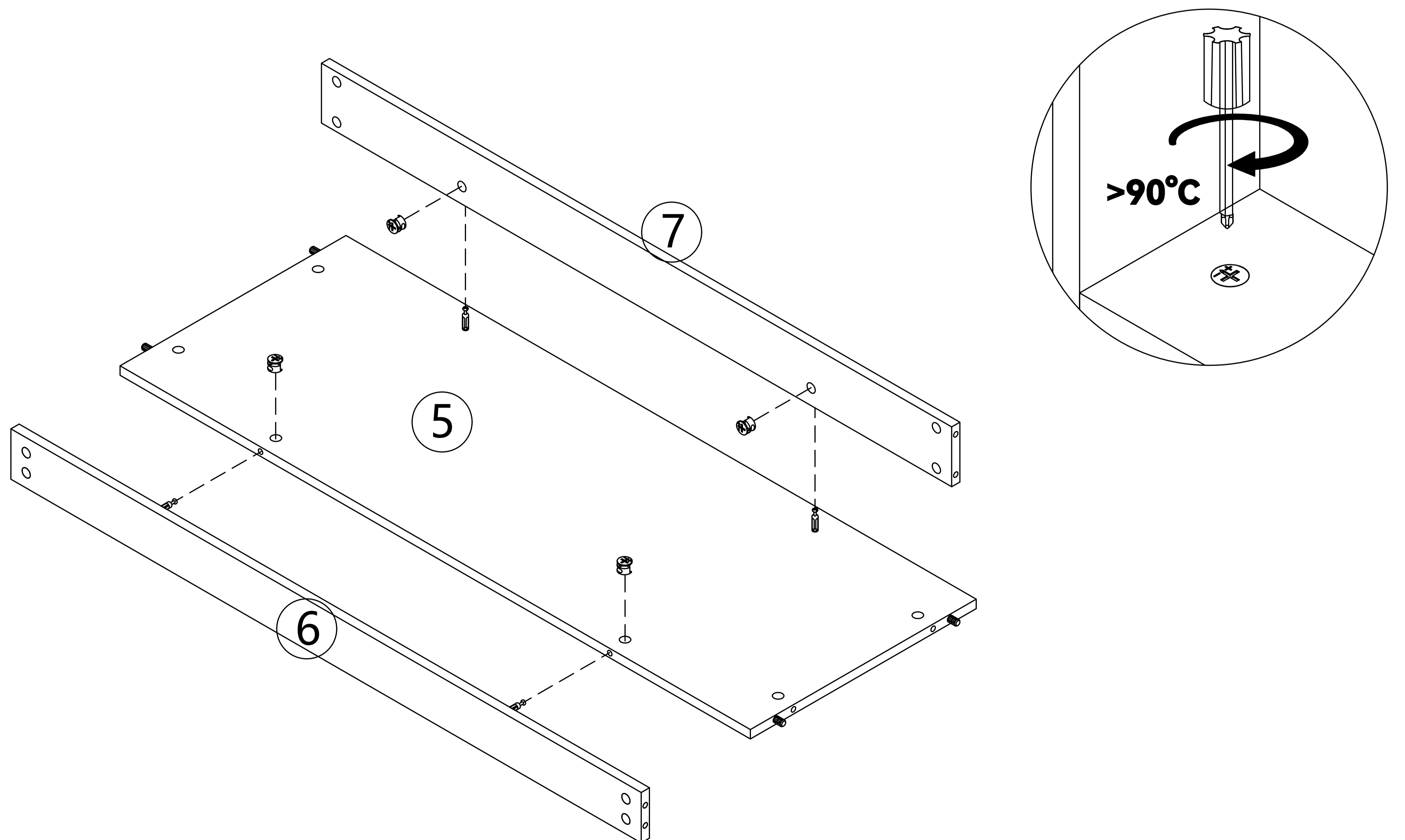
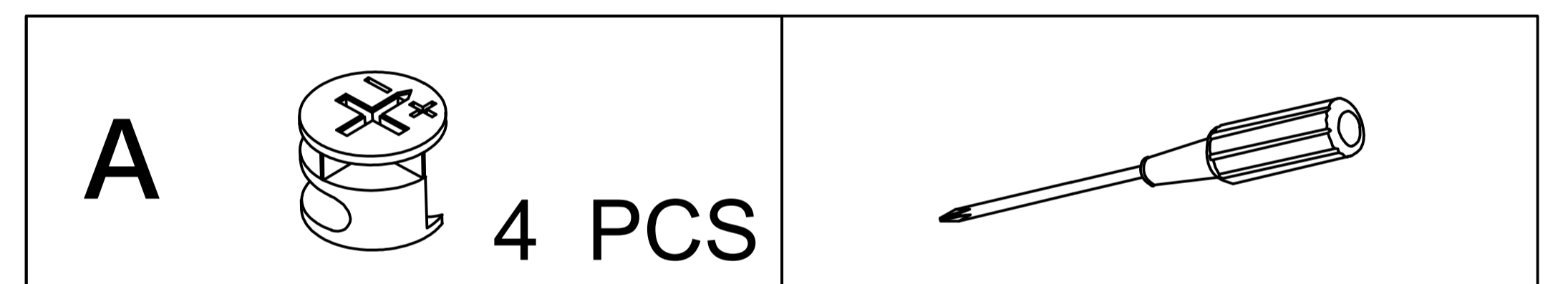
- Insert the Cam Screw into the shelves above.

# 4



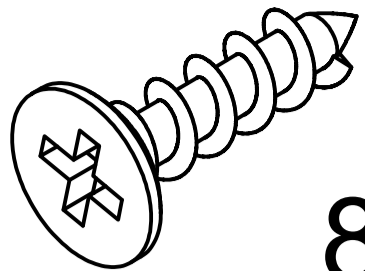
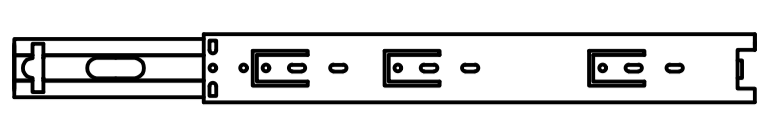
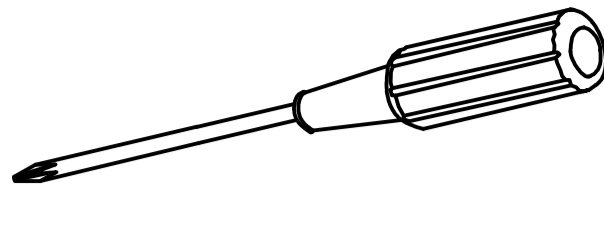
- Drive the wooden pole into the board.

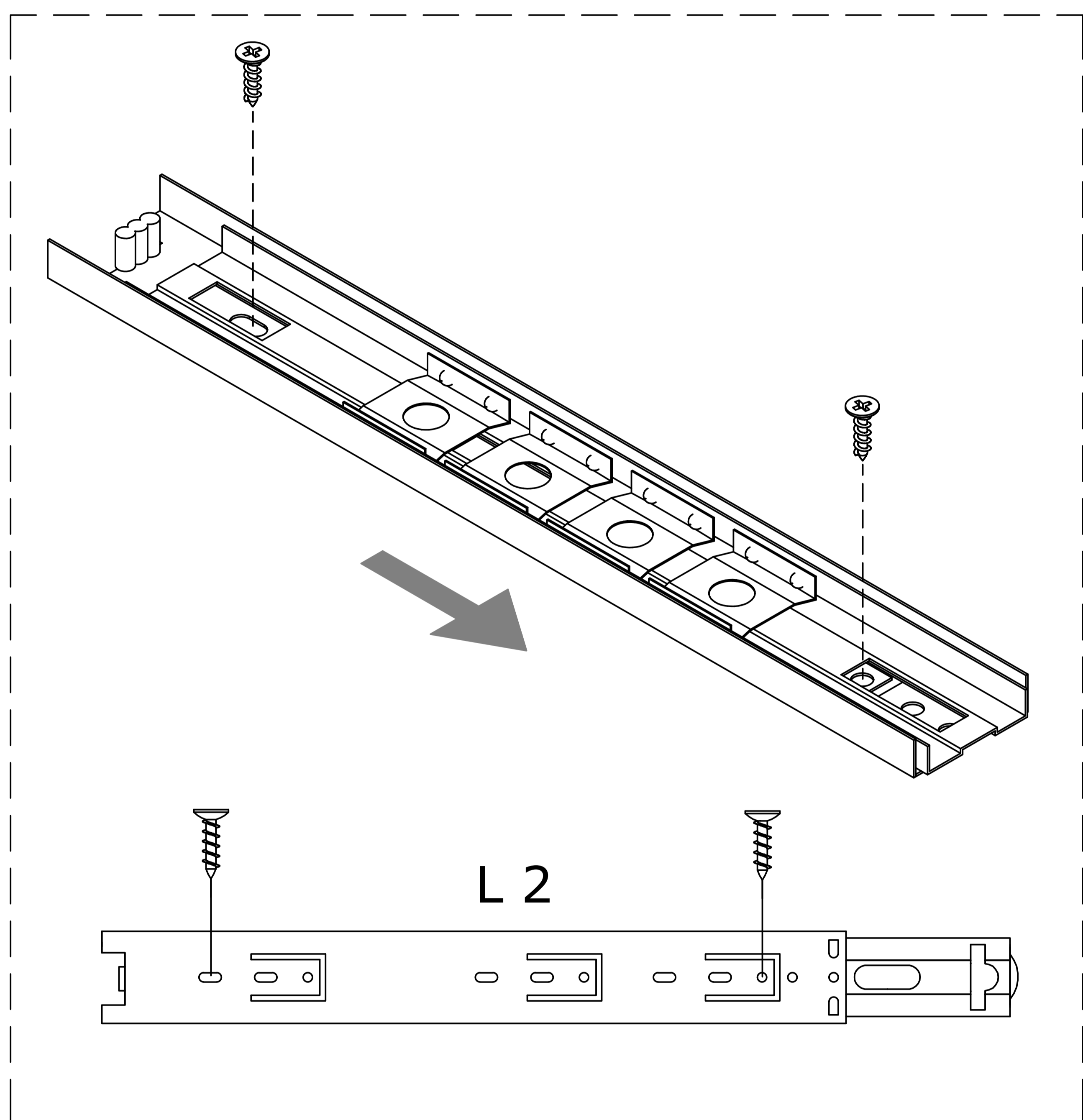
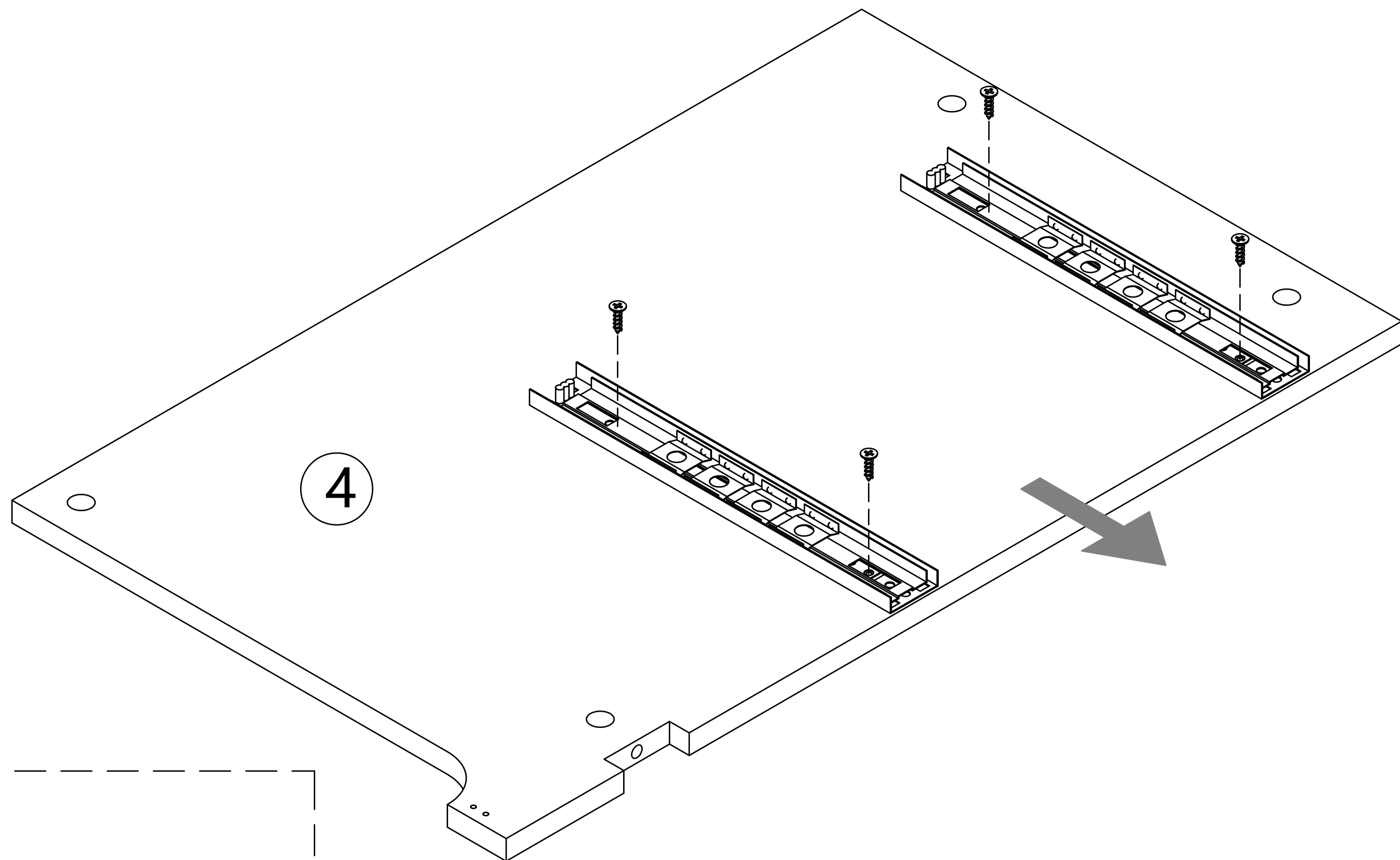
# 5



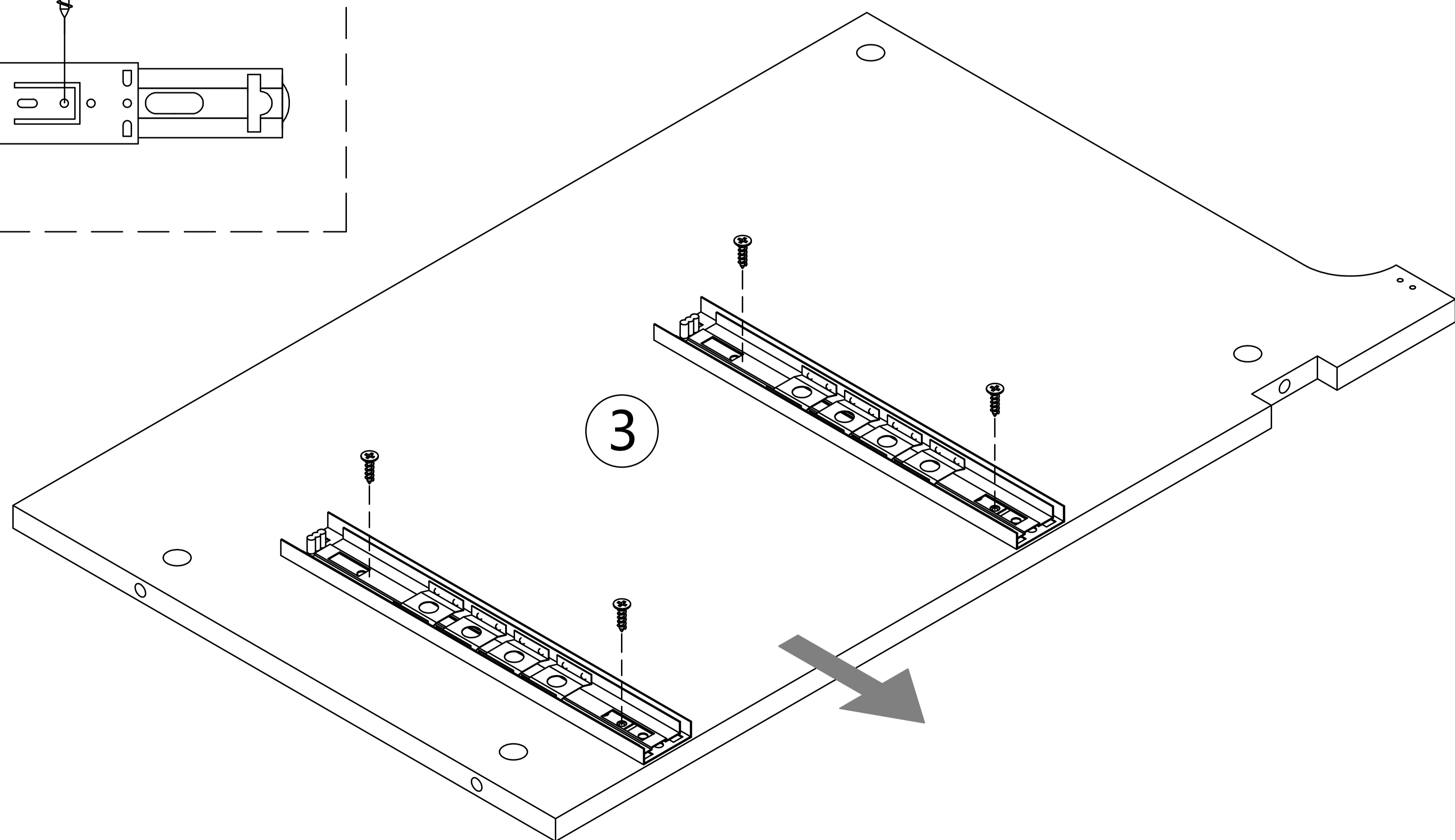
- Refer to the illustration, connect (5), (6) and (7), and tighten the cam lock.

# 6

D  8 PCS	L 2  4 PCS	
---	---	---

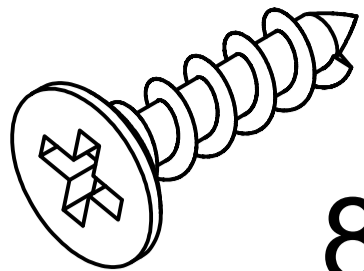
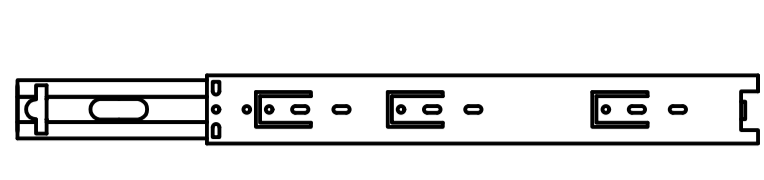
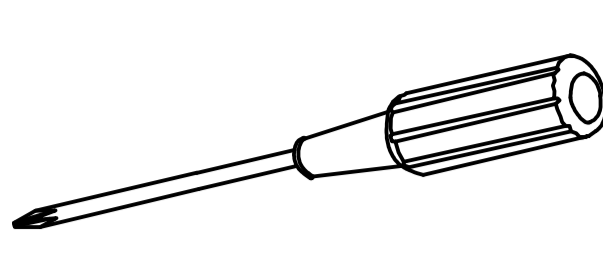


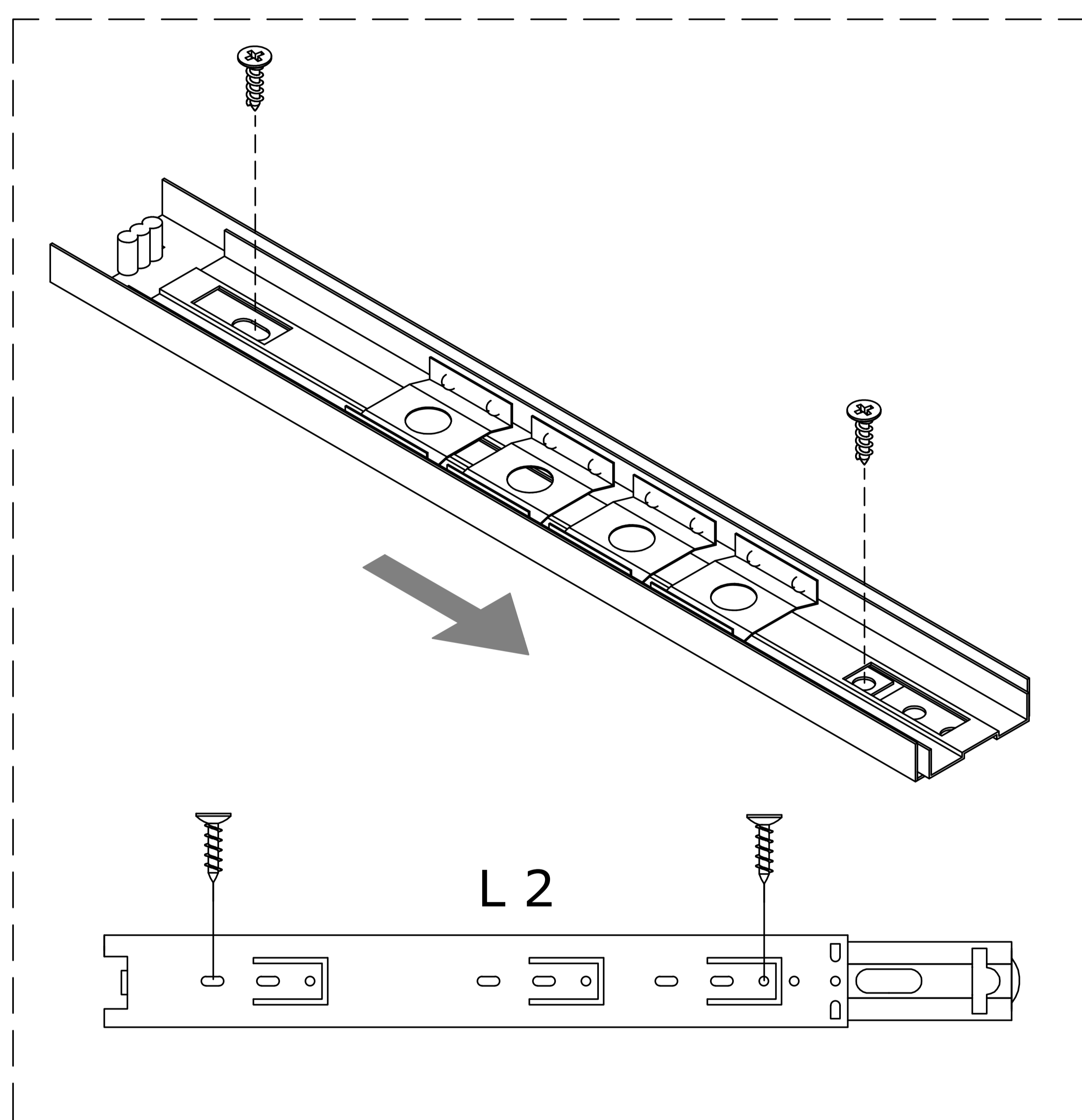
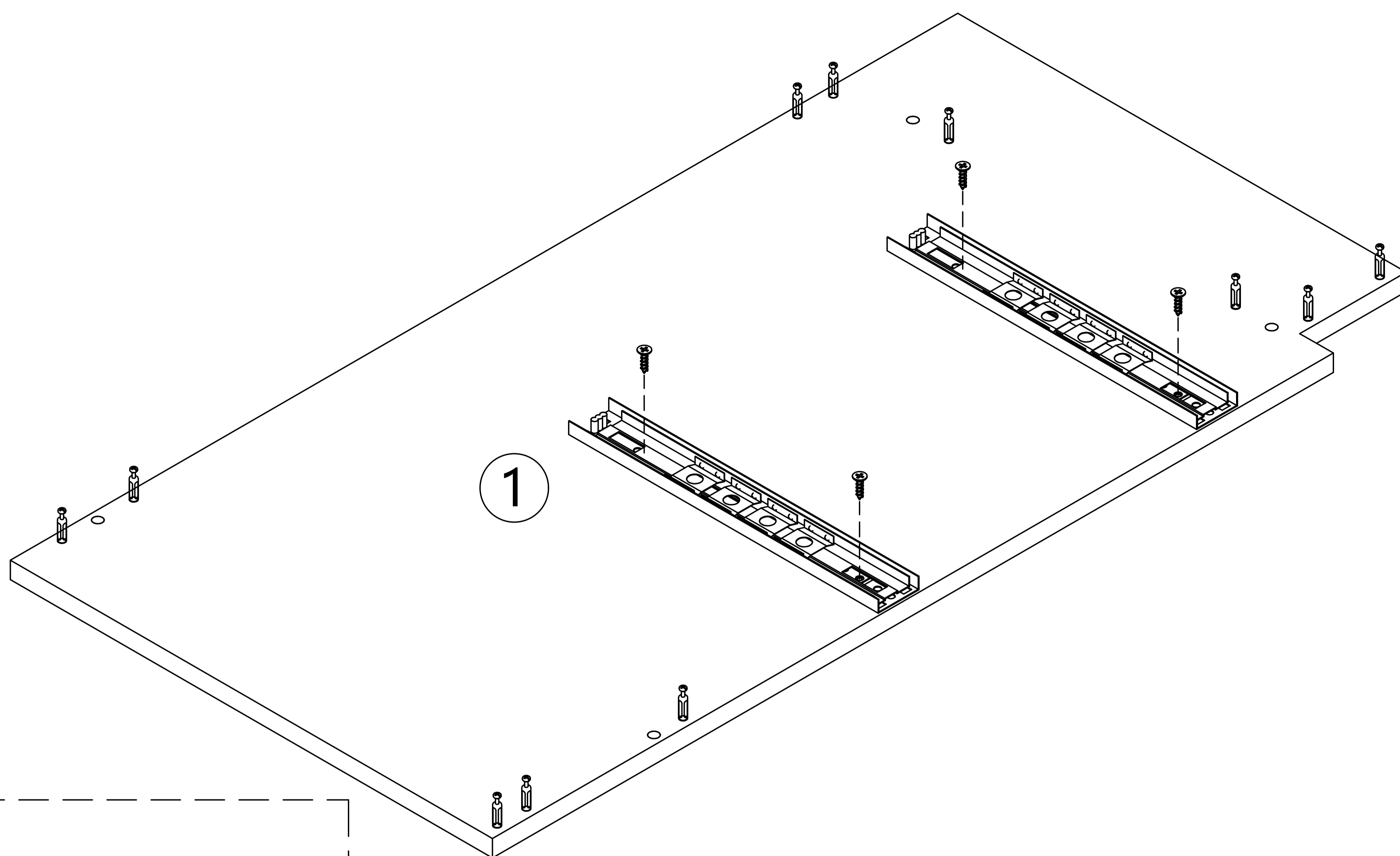
First, fix the first hole position with a screw, then move the track to fix the second hole position.



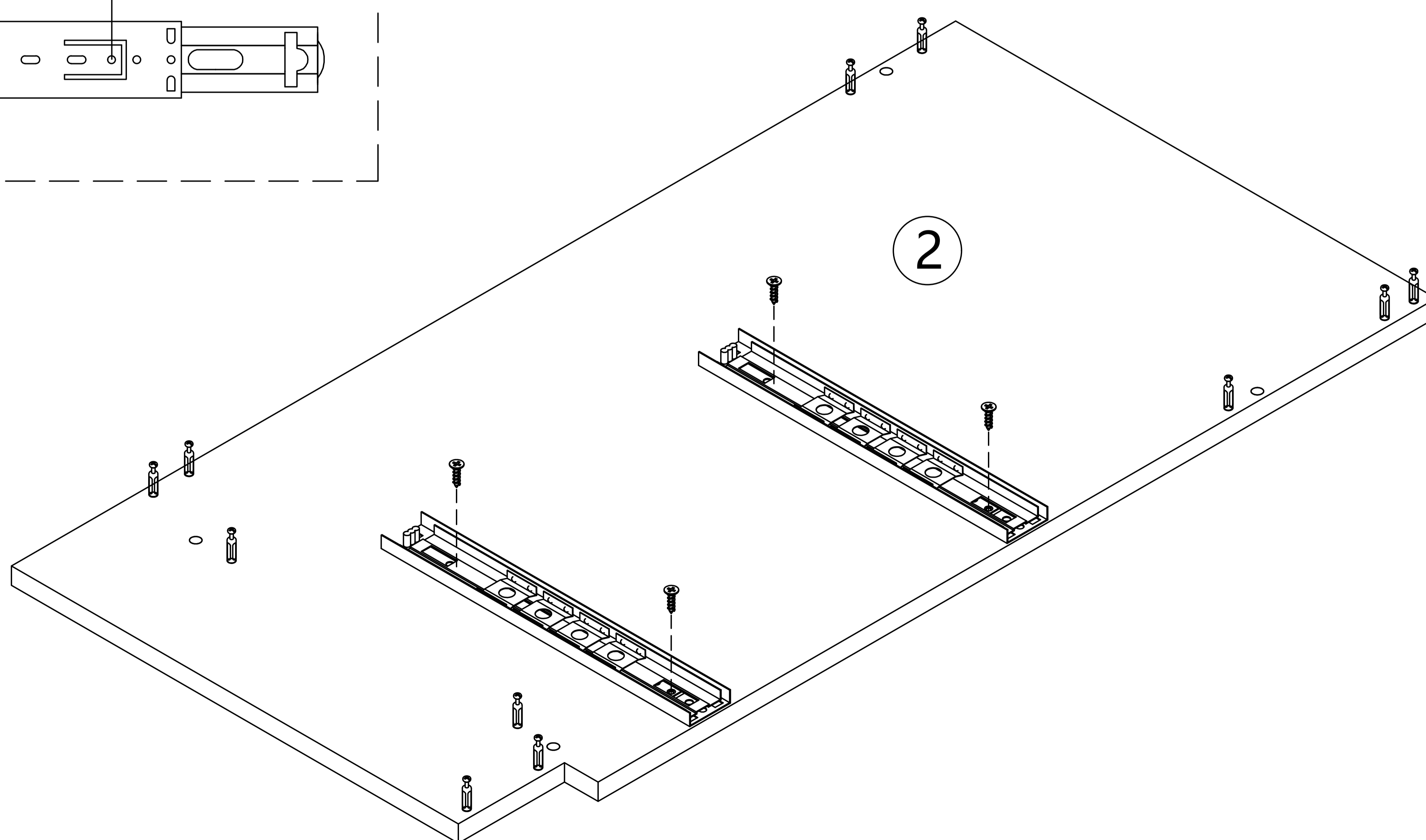
- Fix the slide rail with screws.

# 7

<b>D</b>  8 PCS	<b>L 2</b>  4 PCS	
--	--	---

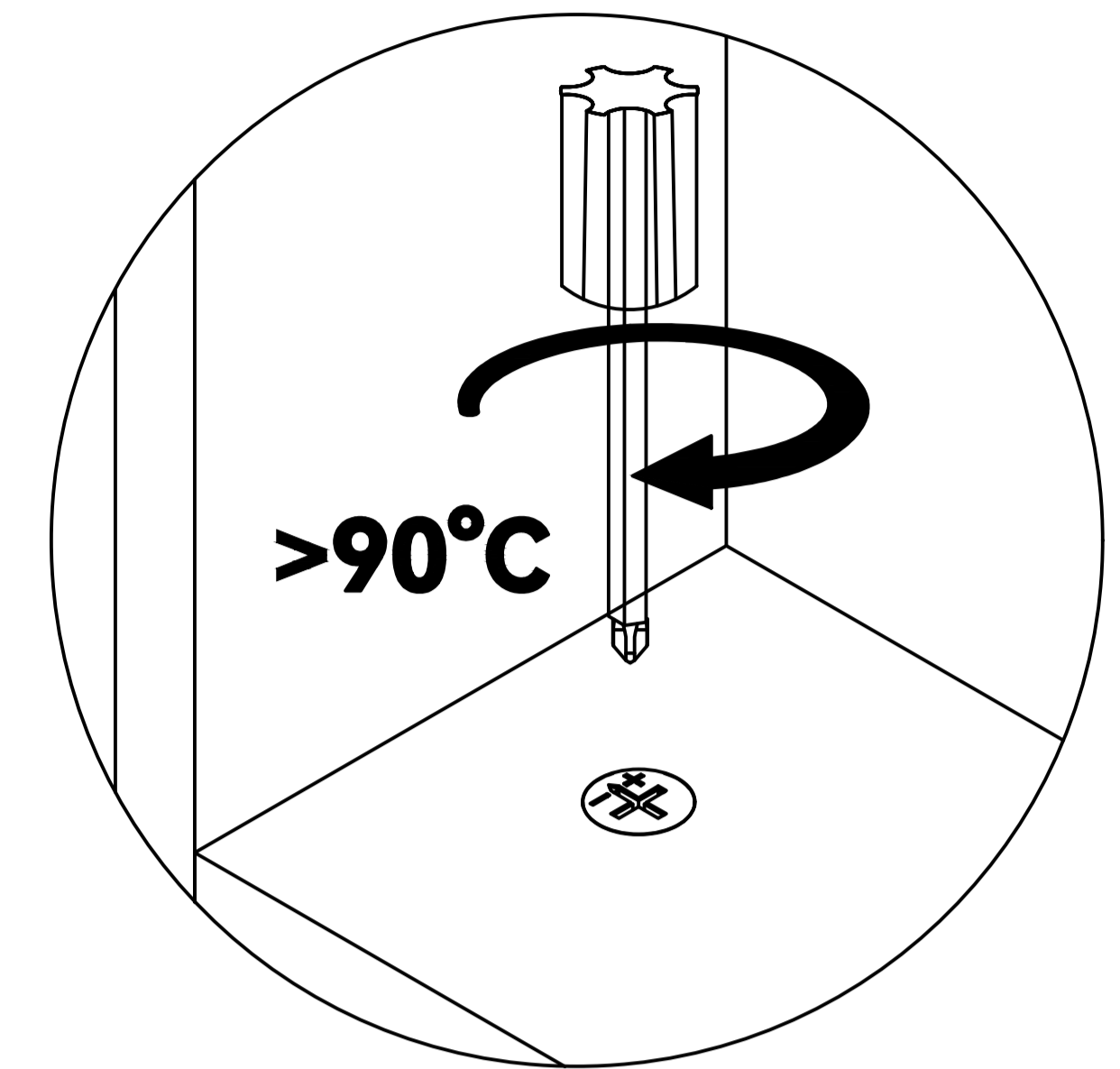
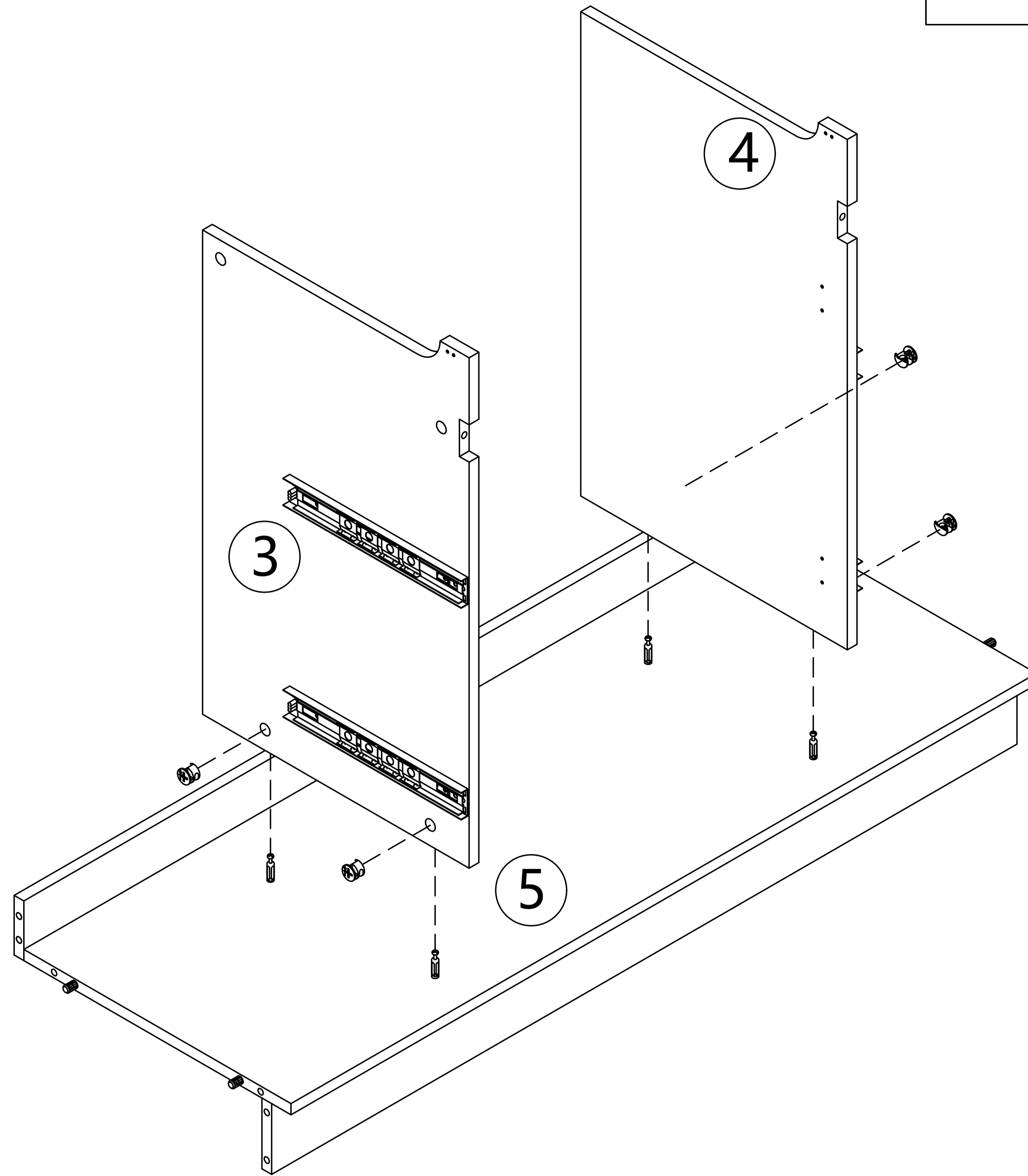
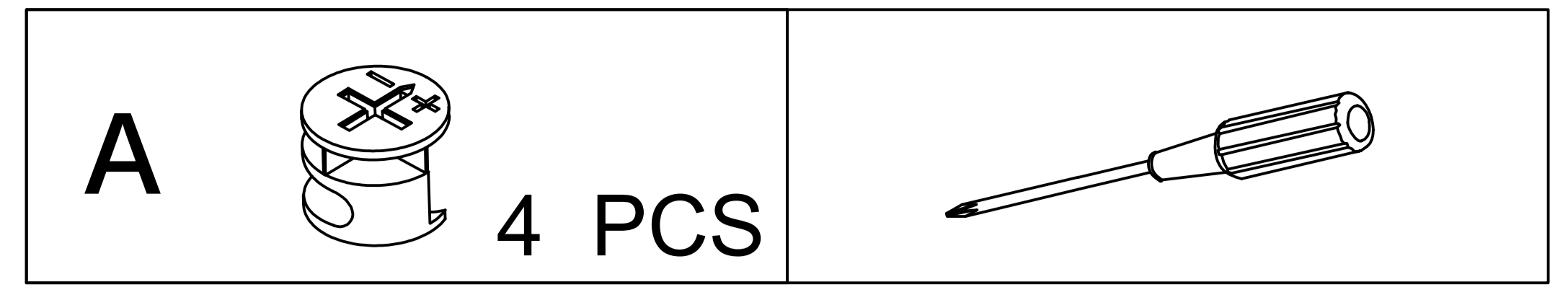


First, fix the first hole position with a screw, then move the track to fix the second hole position.



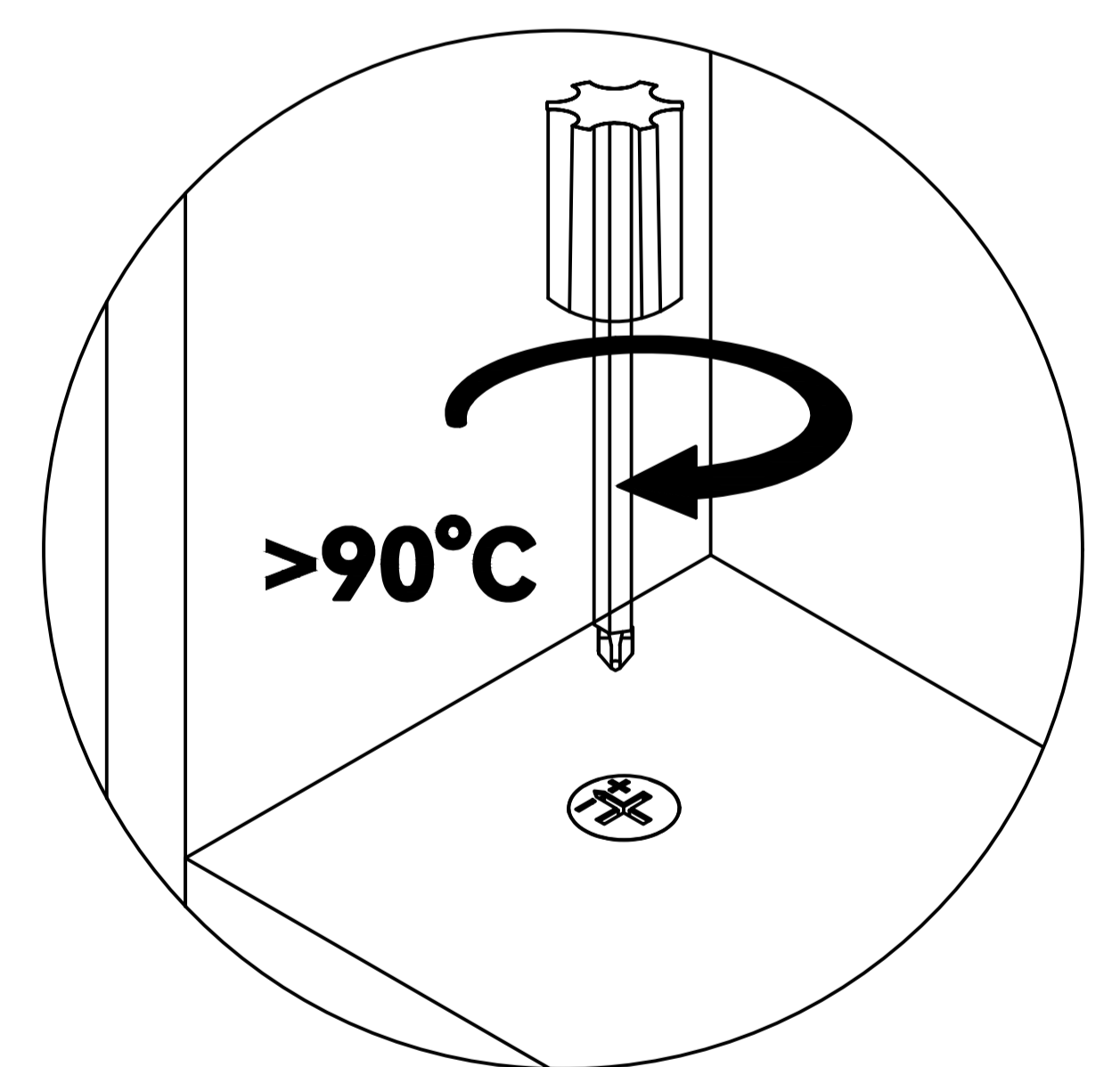
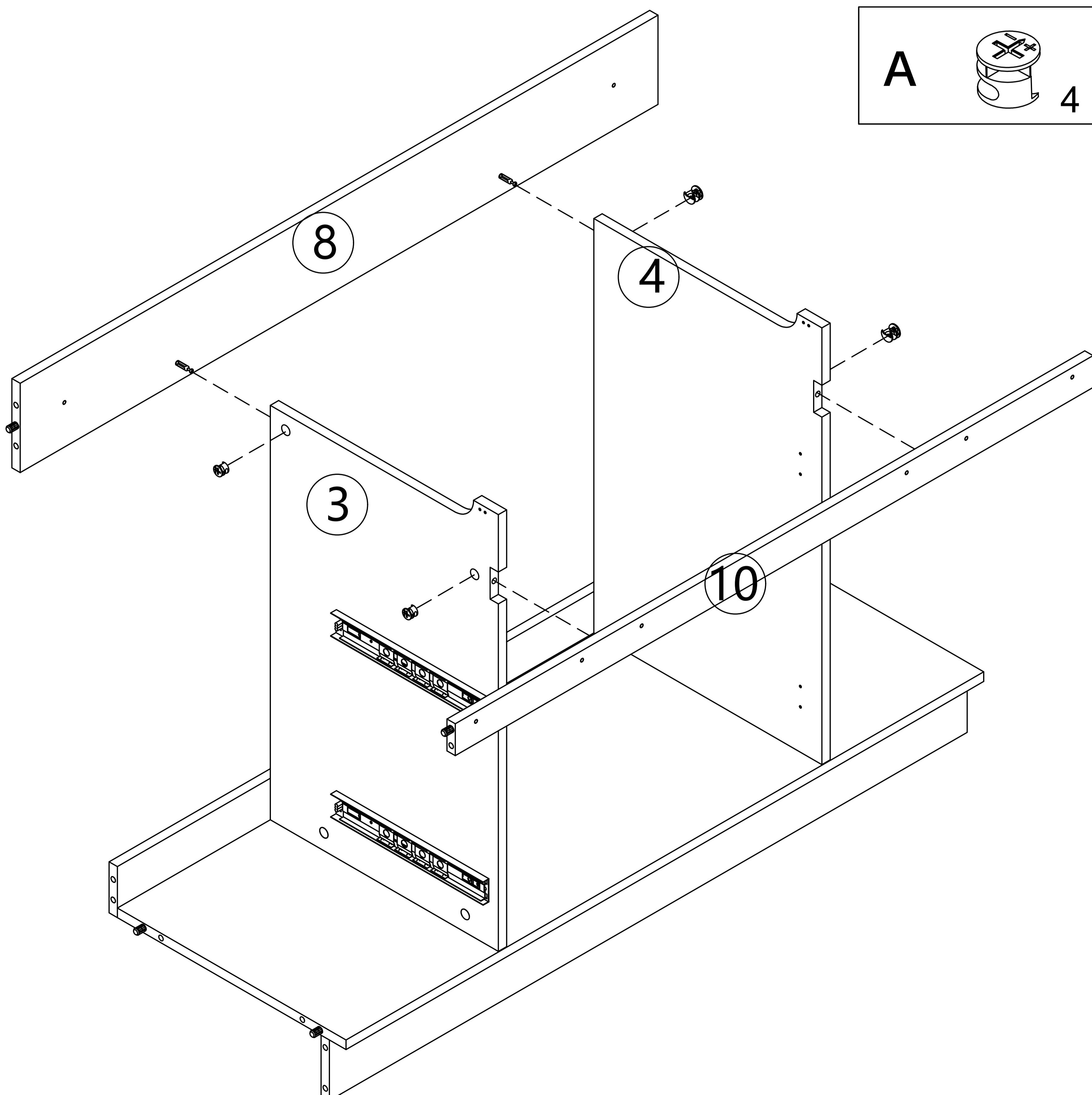
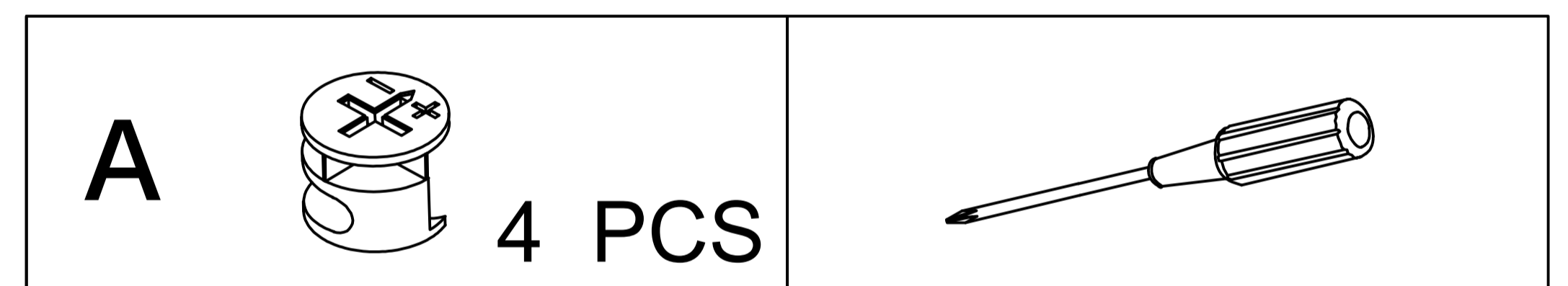
- Fix the slide rail with screws.

# 8



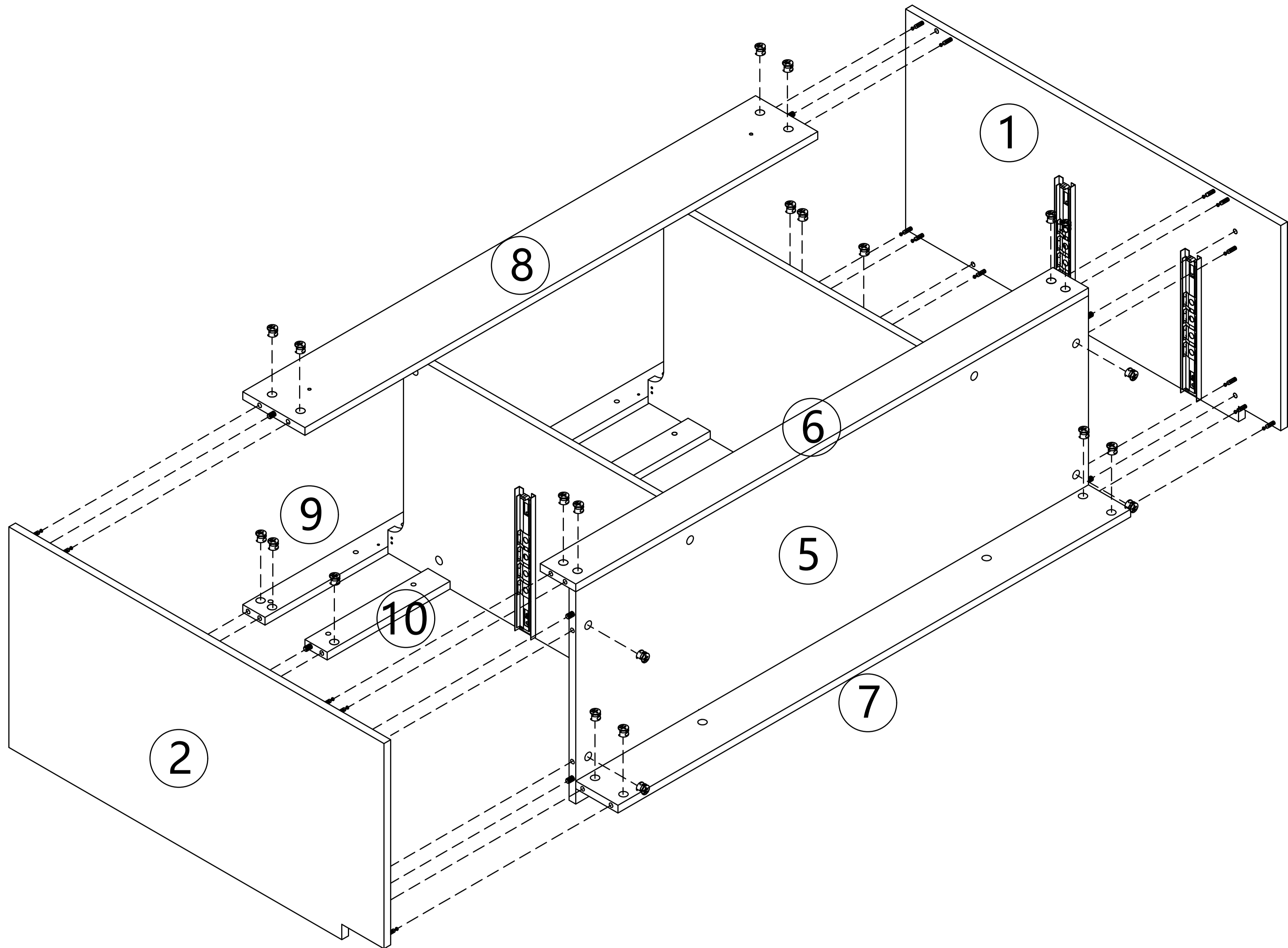
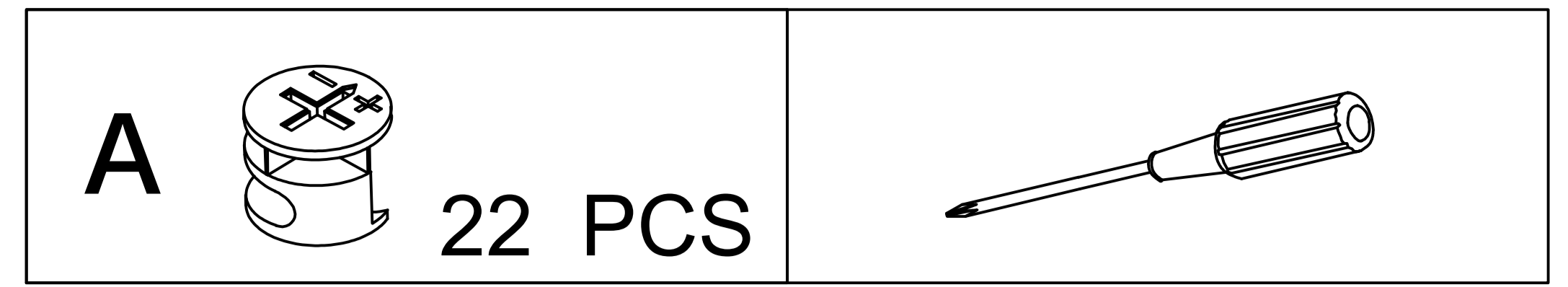
- Refer to the illustration, connect (5), (3) and (4), and tighten the cam lock.

# 9



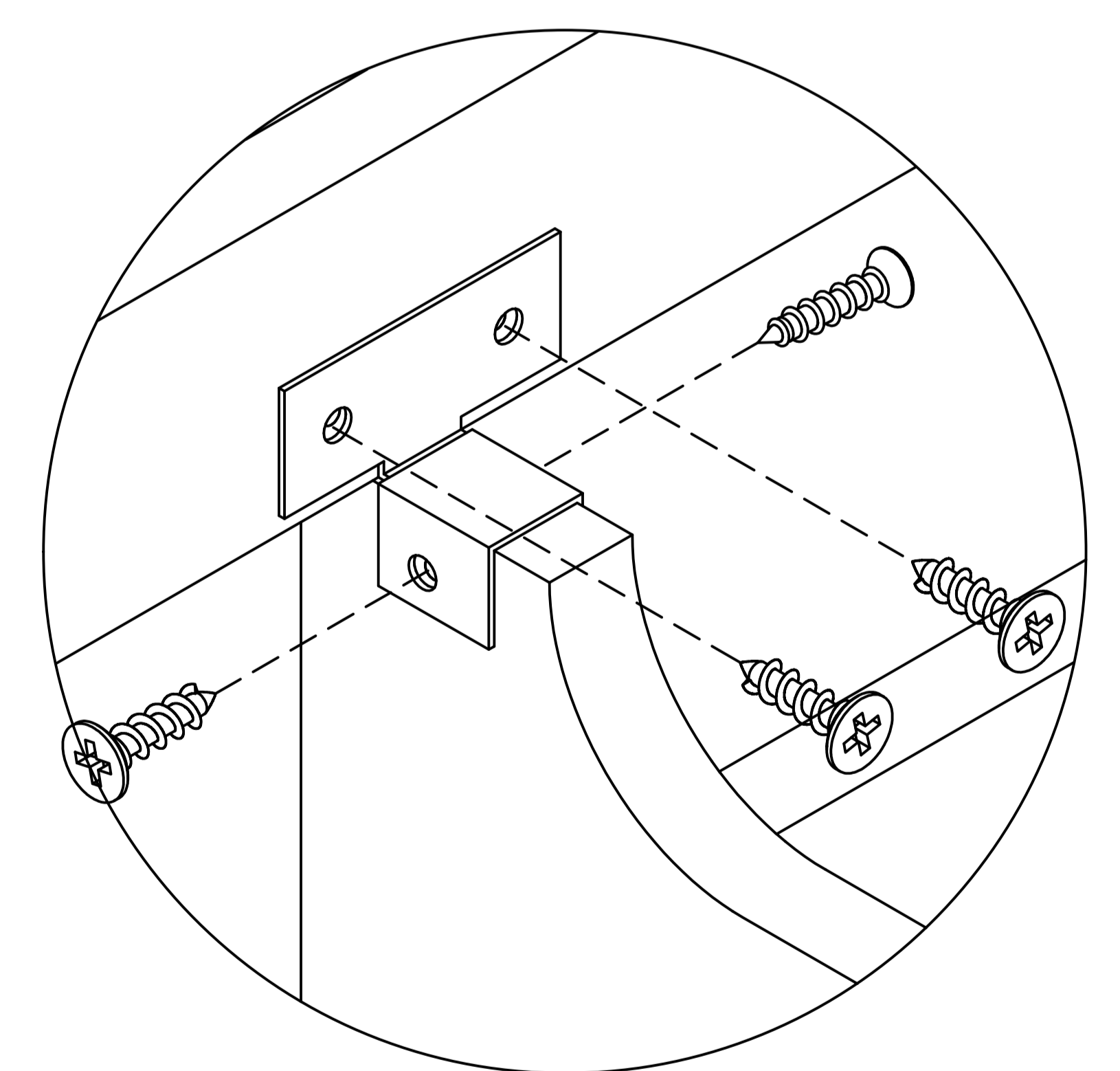
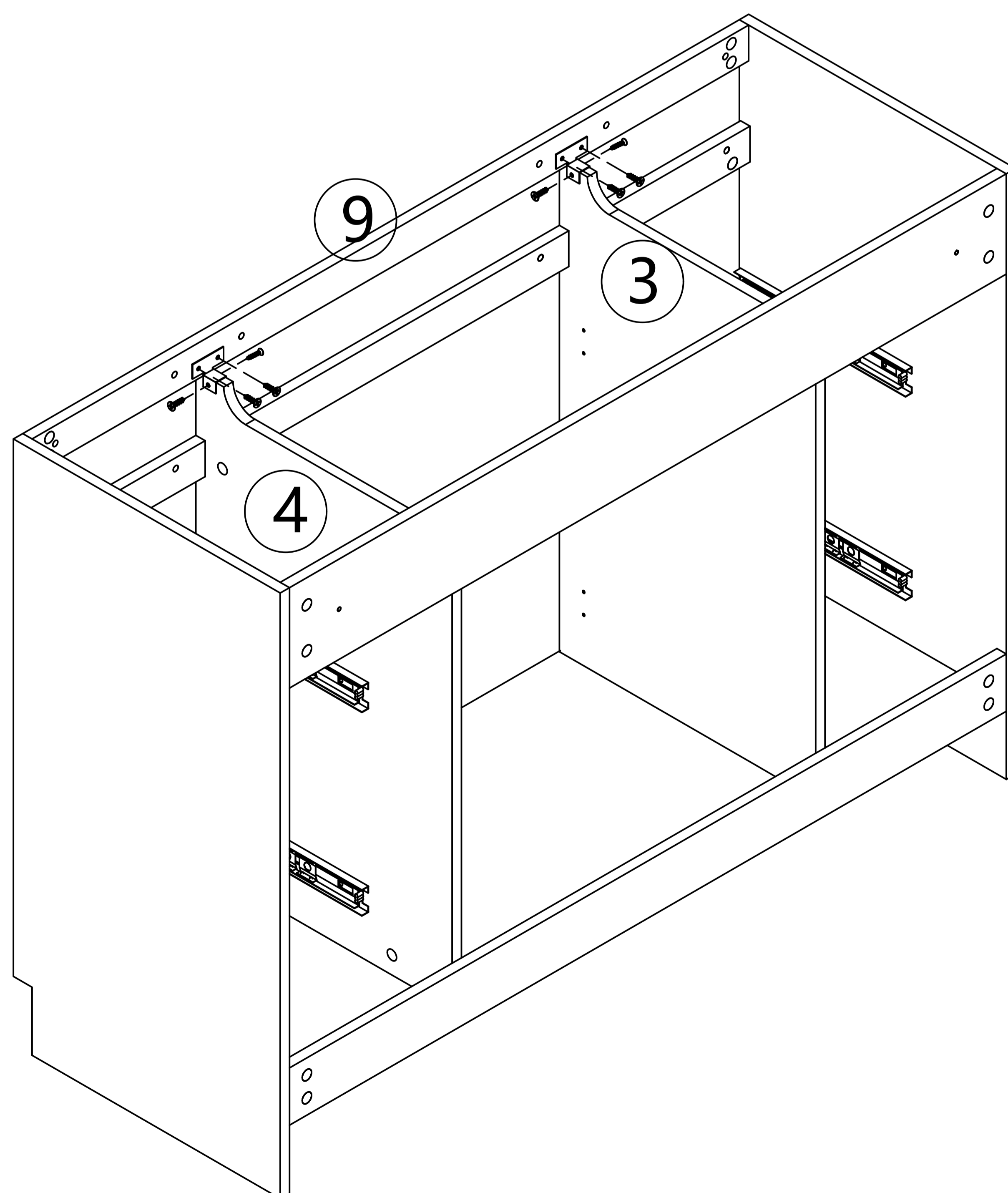
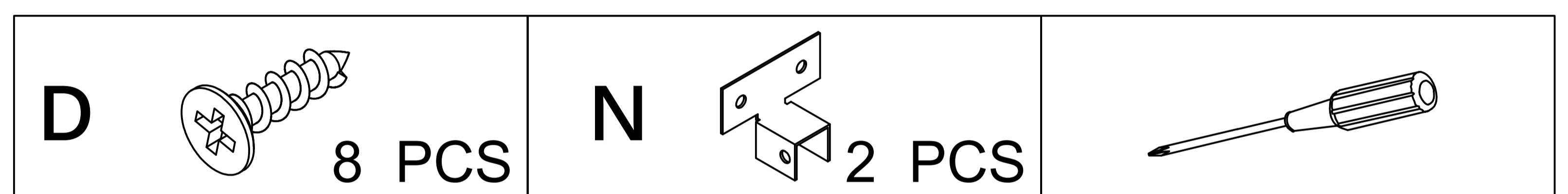
- Refer to the illustration, connect (8), (10), (3) and (4), and tighten the cam lock.

# 10



- Refer to the illustration and tighten the cam lock.

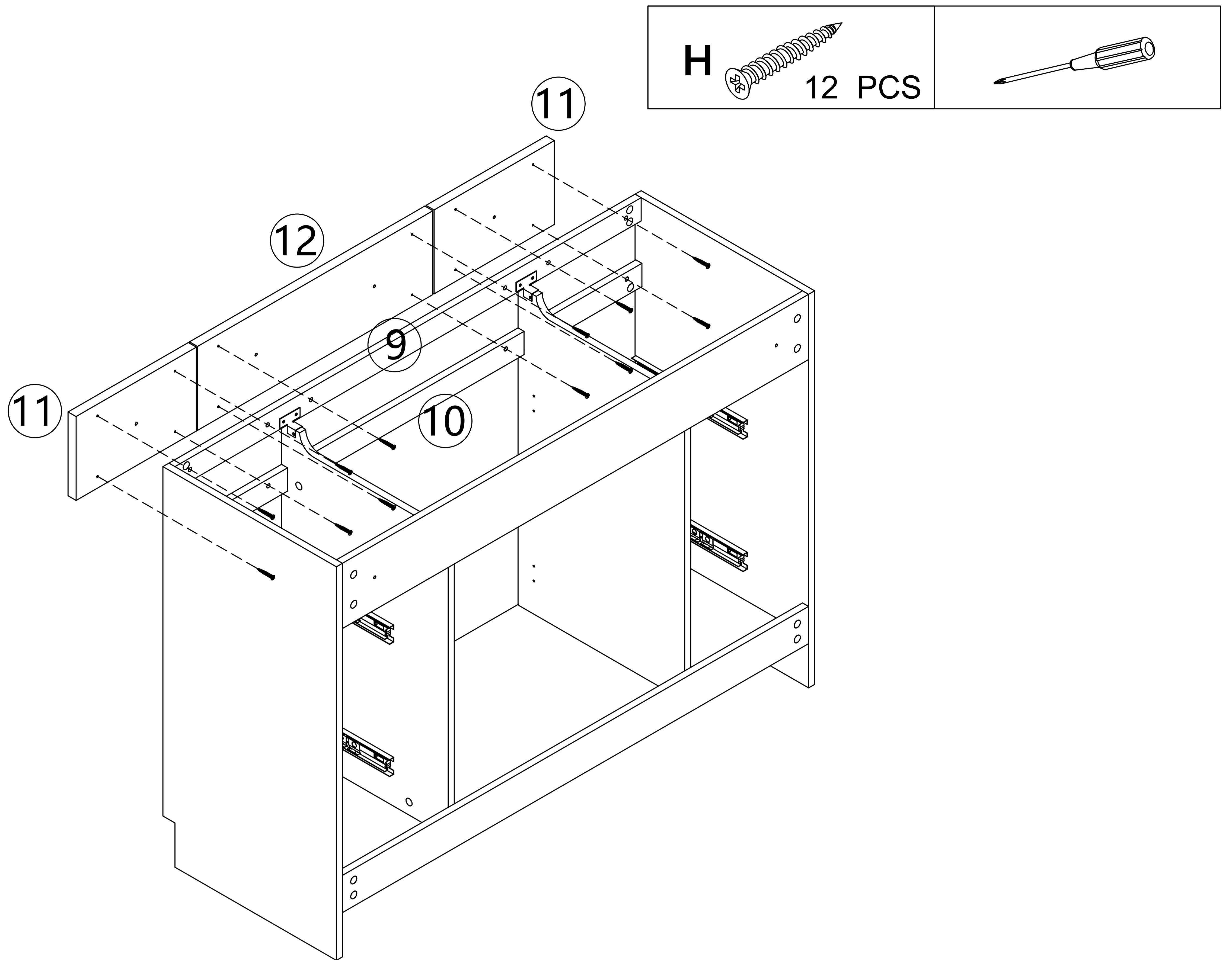
# 11



## Dx4

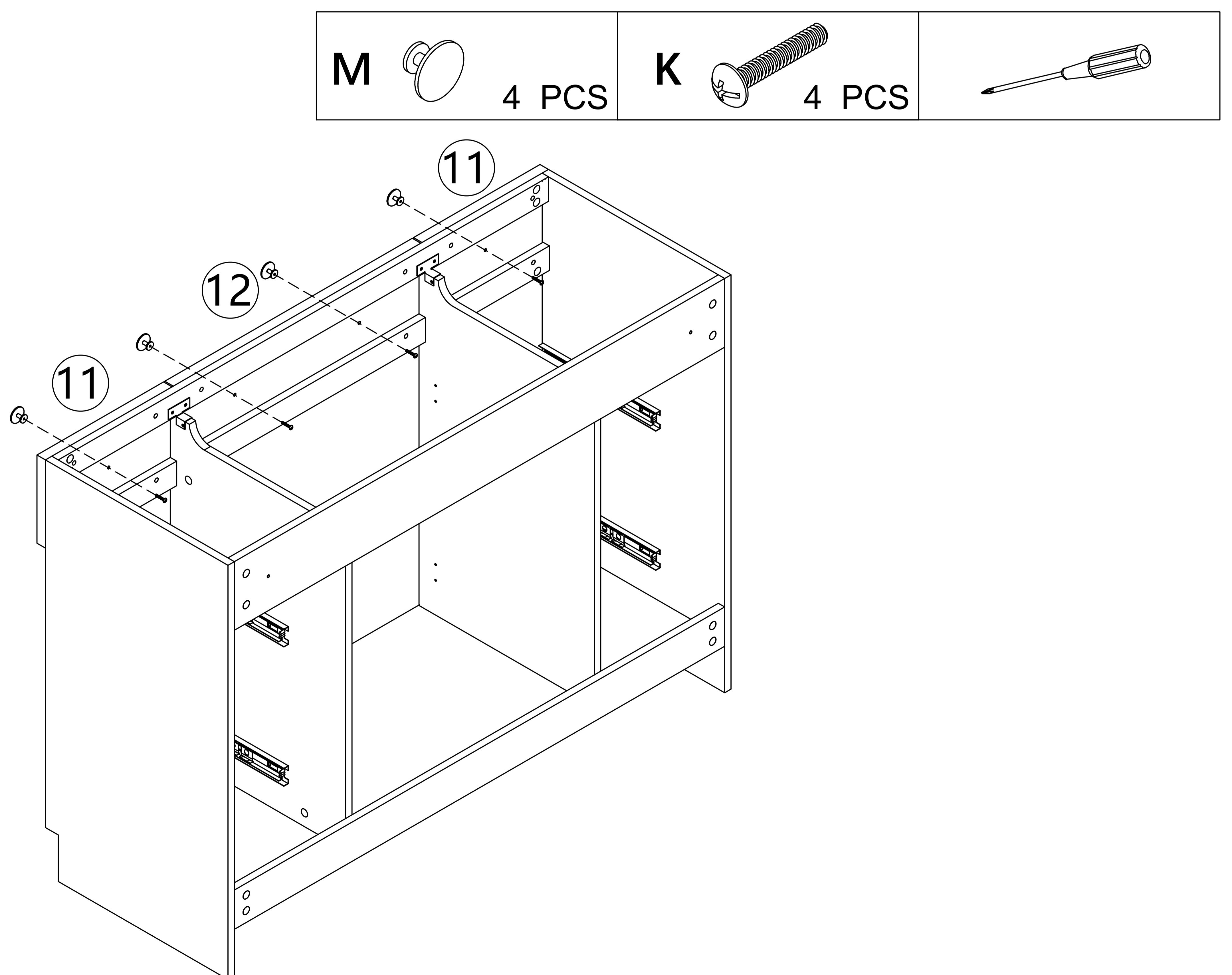
- Refer to the illustration and fix (N) with screw (D).

# 12



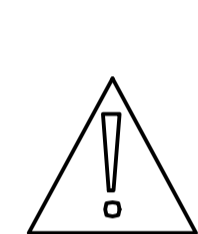
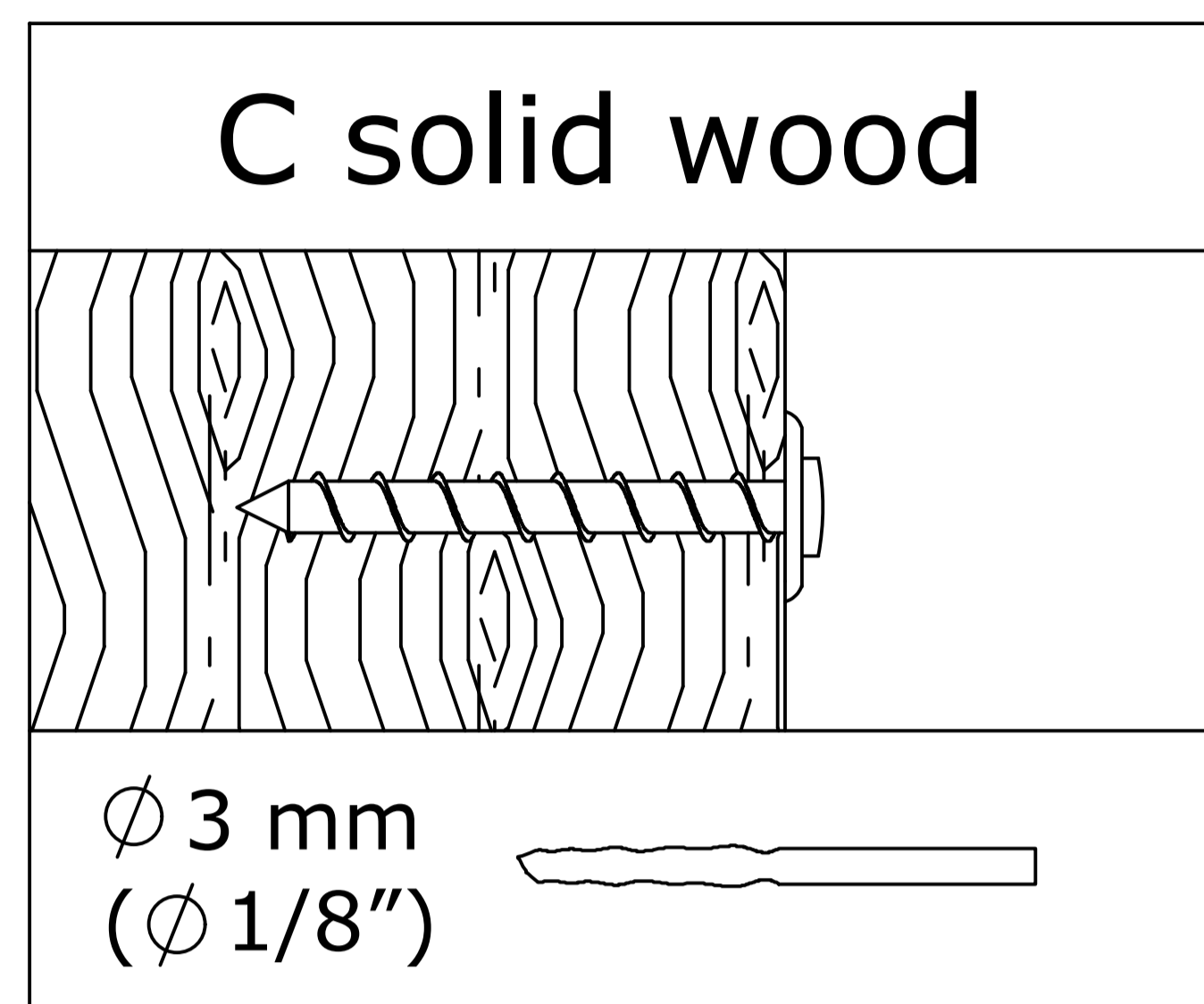
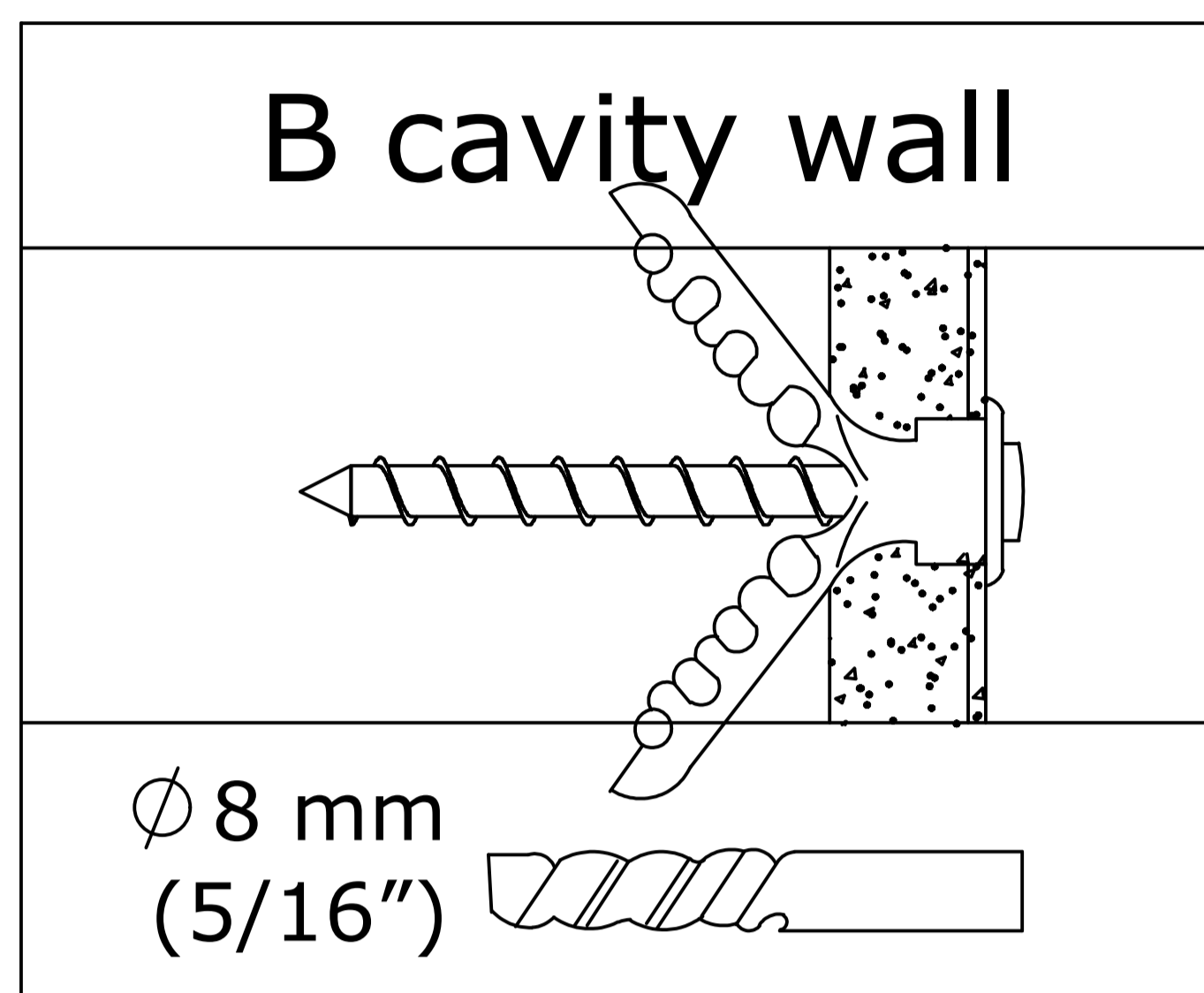
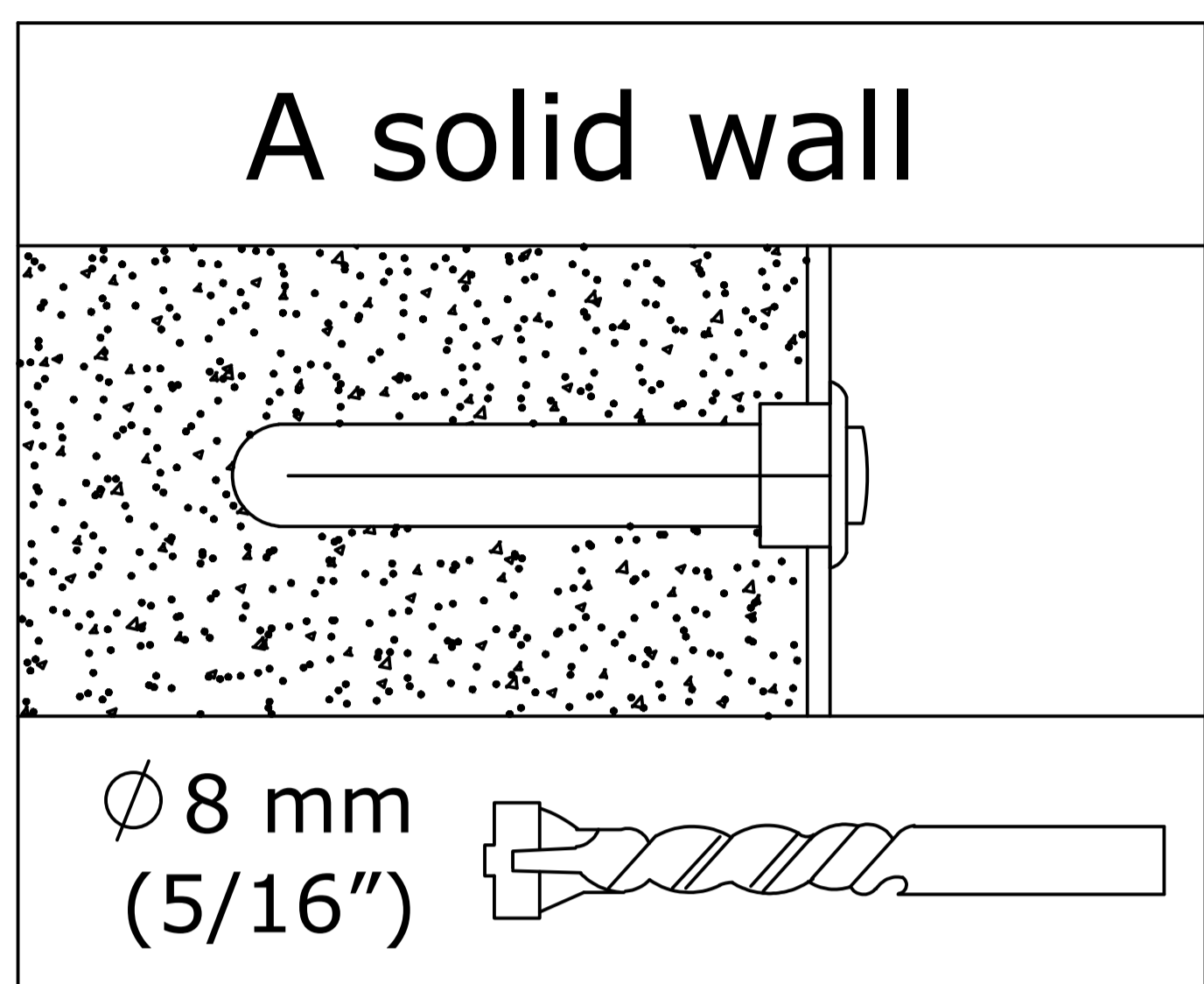
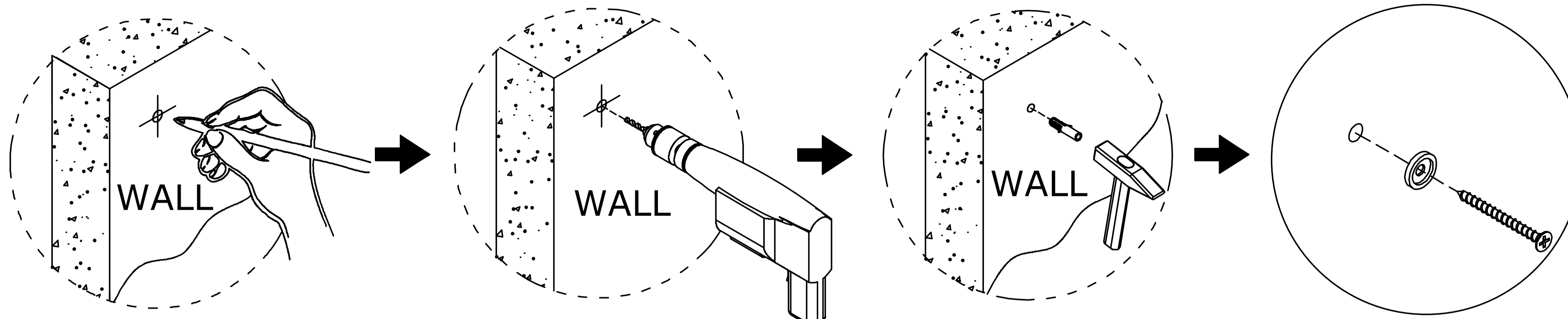
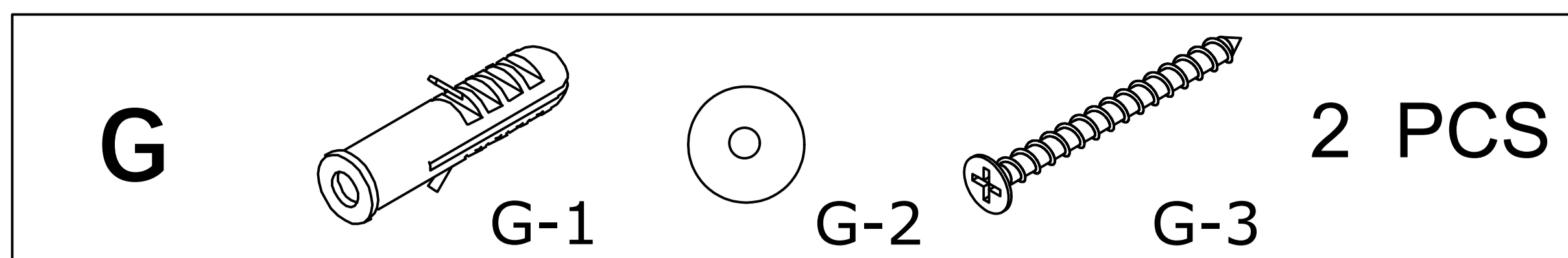
- Refer to the illustration and fix (11) and (12) with screw (H).

# 13



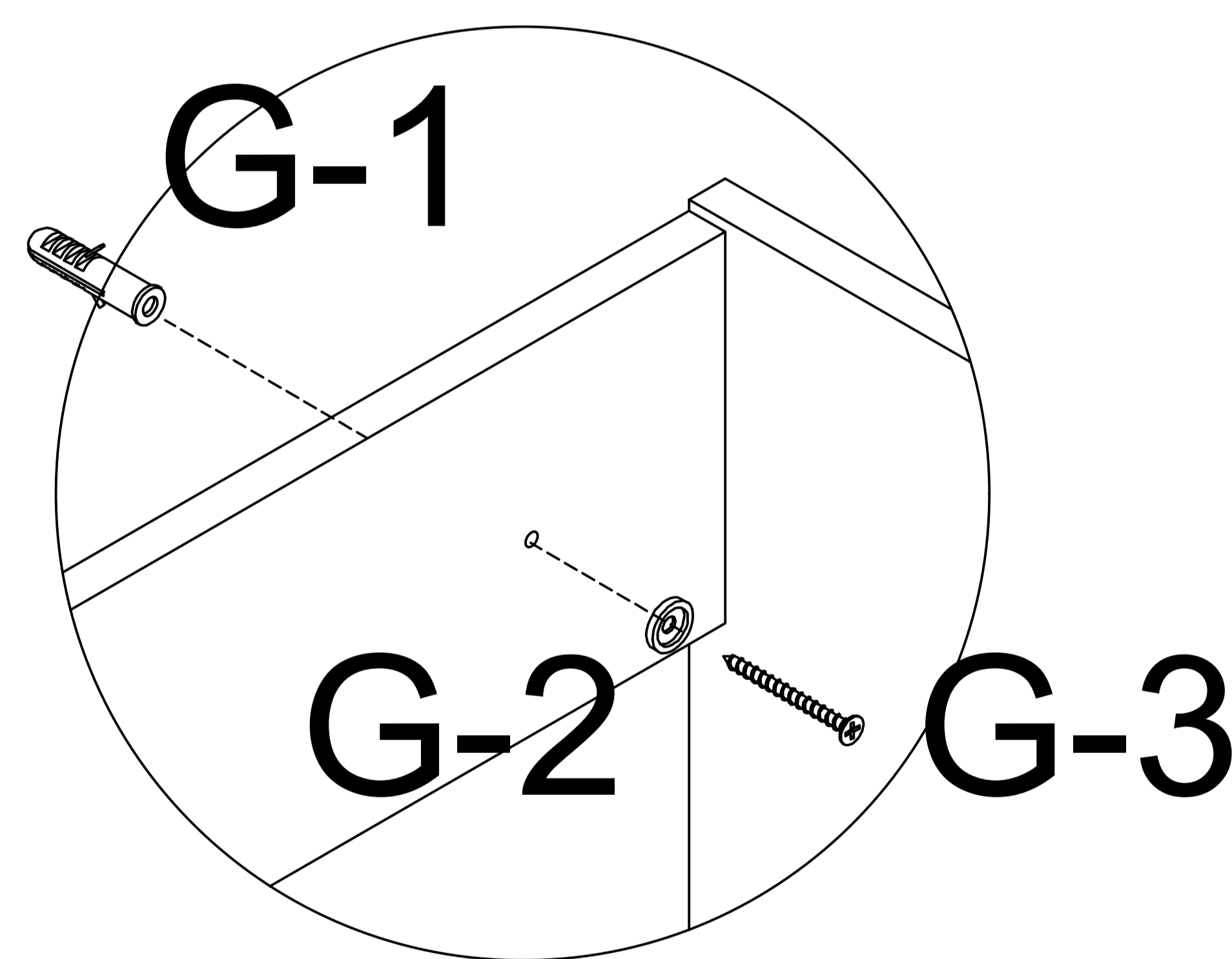
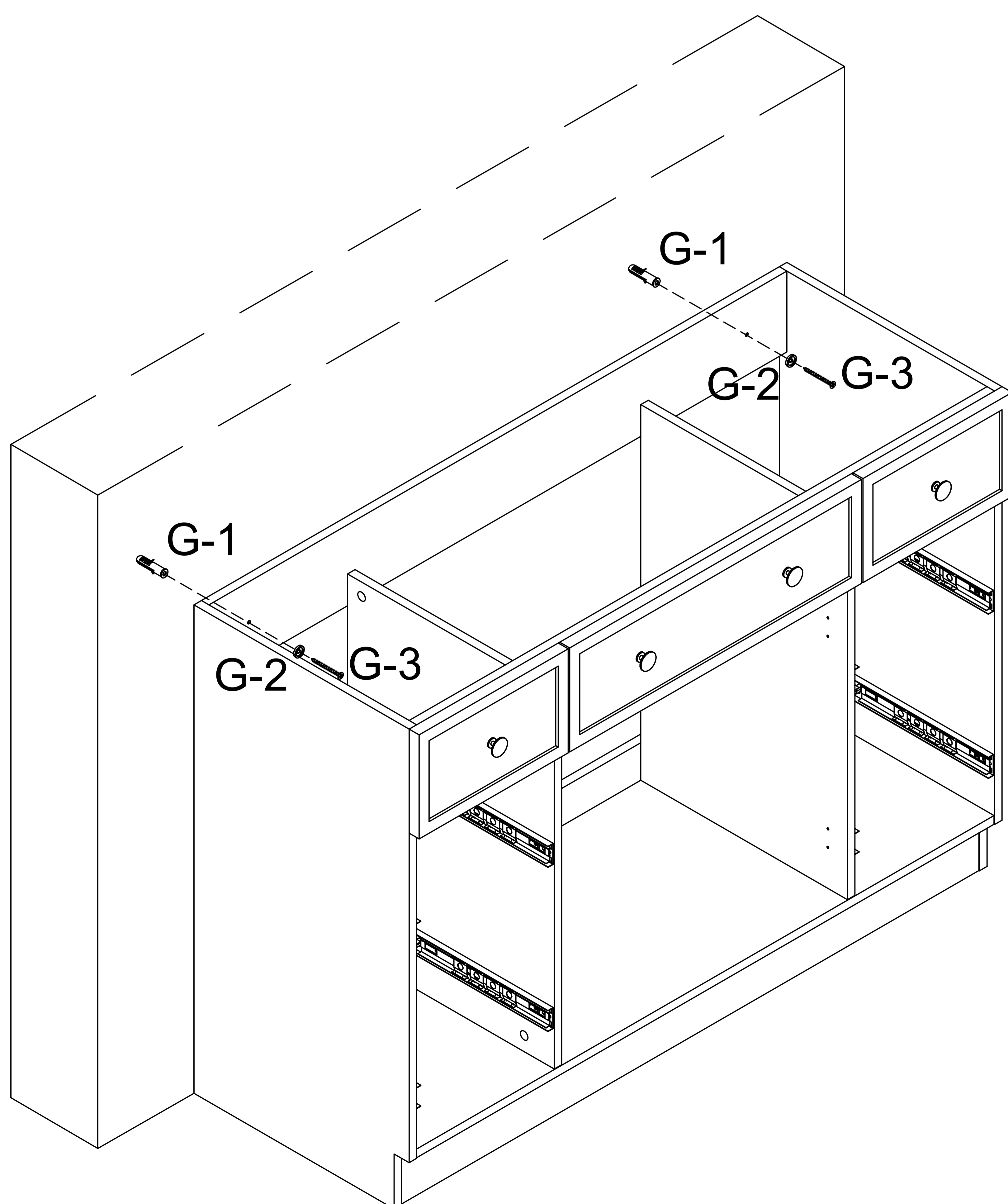
- Refer to the illustration and fix (M) with screw (K).

# 14

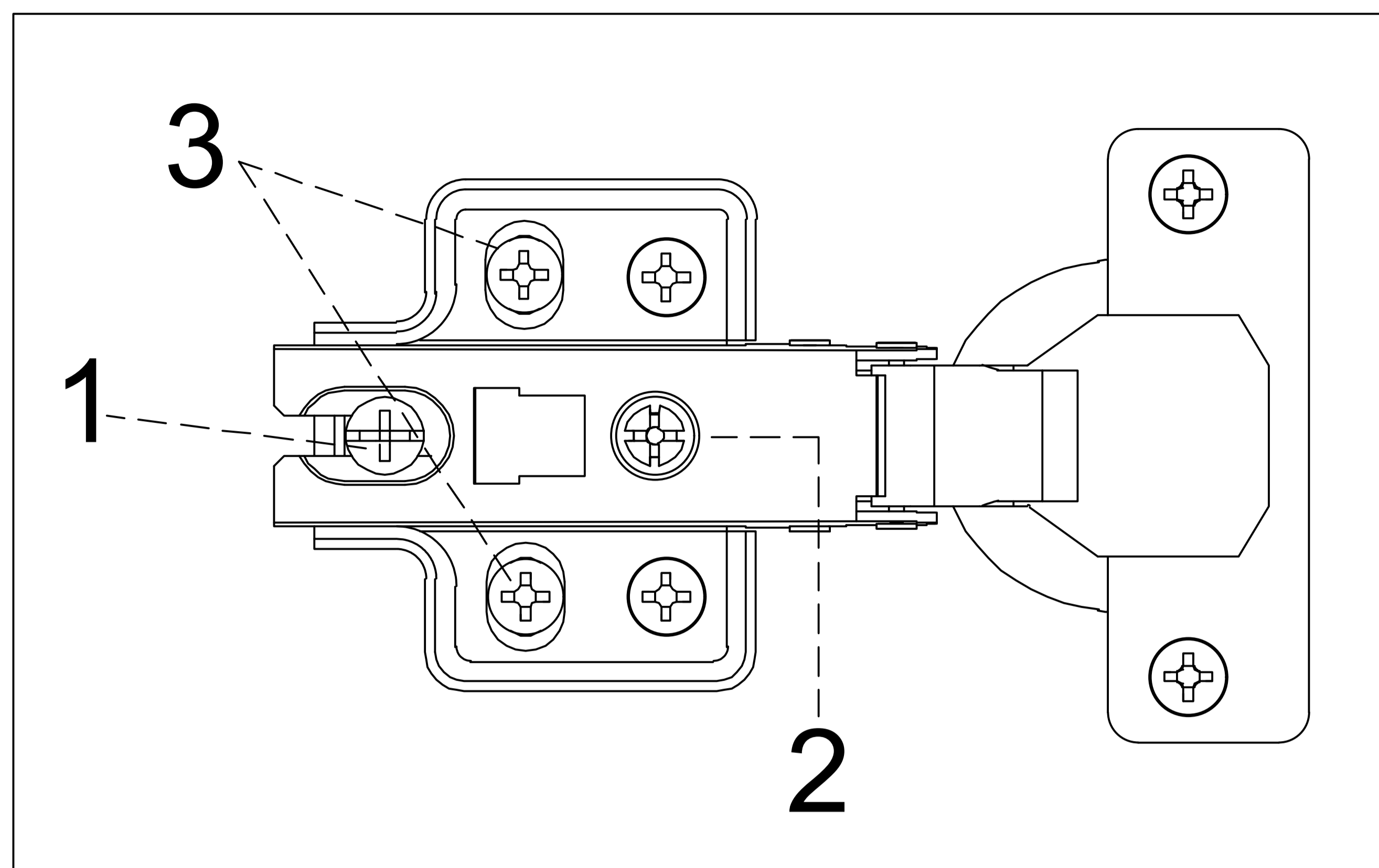


Warning: If you overturn the furniture, it may cause serious or fatal crushing injuries. We have a wall connection device attached, please use it to hold the furniture following these instructions.

1. Mark the corresponding hole positions where you want to place the furniture;
2. Use a impact drill to drill holes and pay attention to avoid wires and water pipes;
3. Knock the expansion pipes in to the wall holes;
4. Place the furniture in the corresponding position and tighten the wall connection device with screws.



# 15

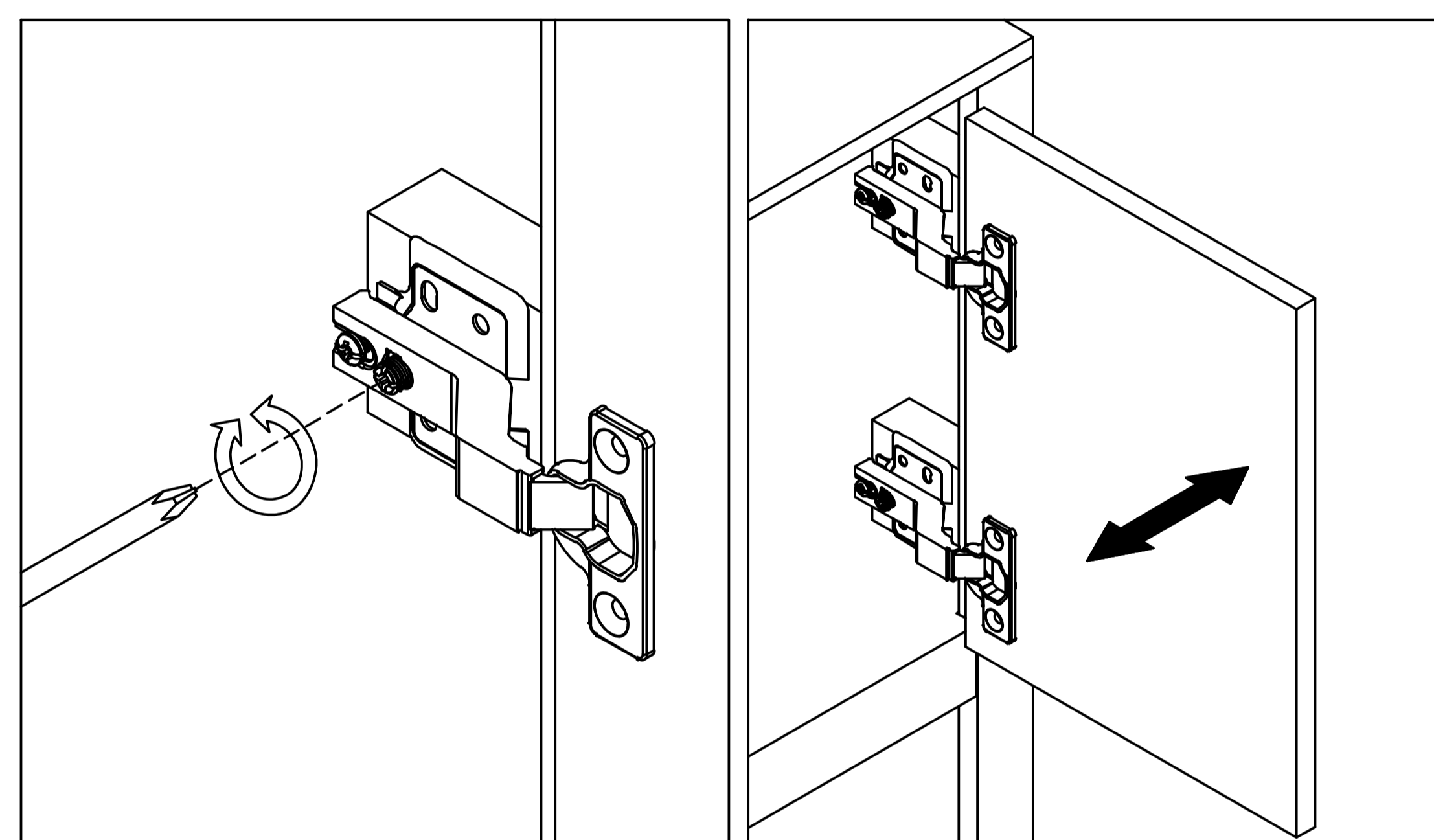


## Hinge Adjustment Guide

Three-way adjustable hinge for perfectly aligned doors

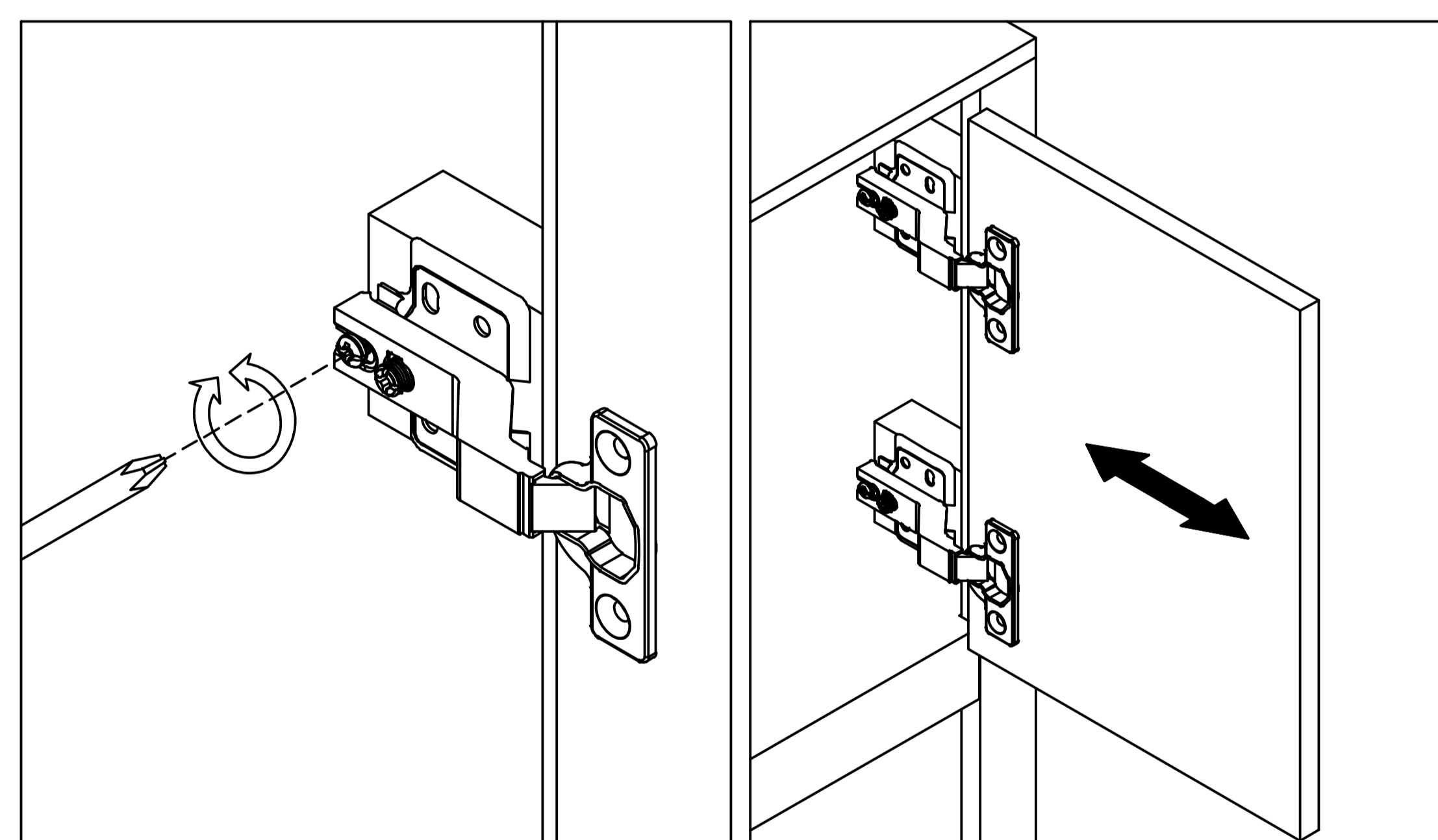
### Sideways/Gap Adjustment

Turning the screw "2" on the hinges of each door allows you to adjust the door to the left or right by a few millimeters.



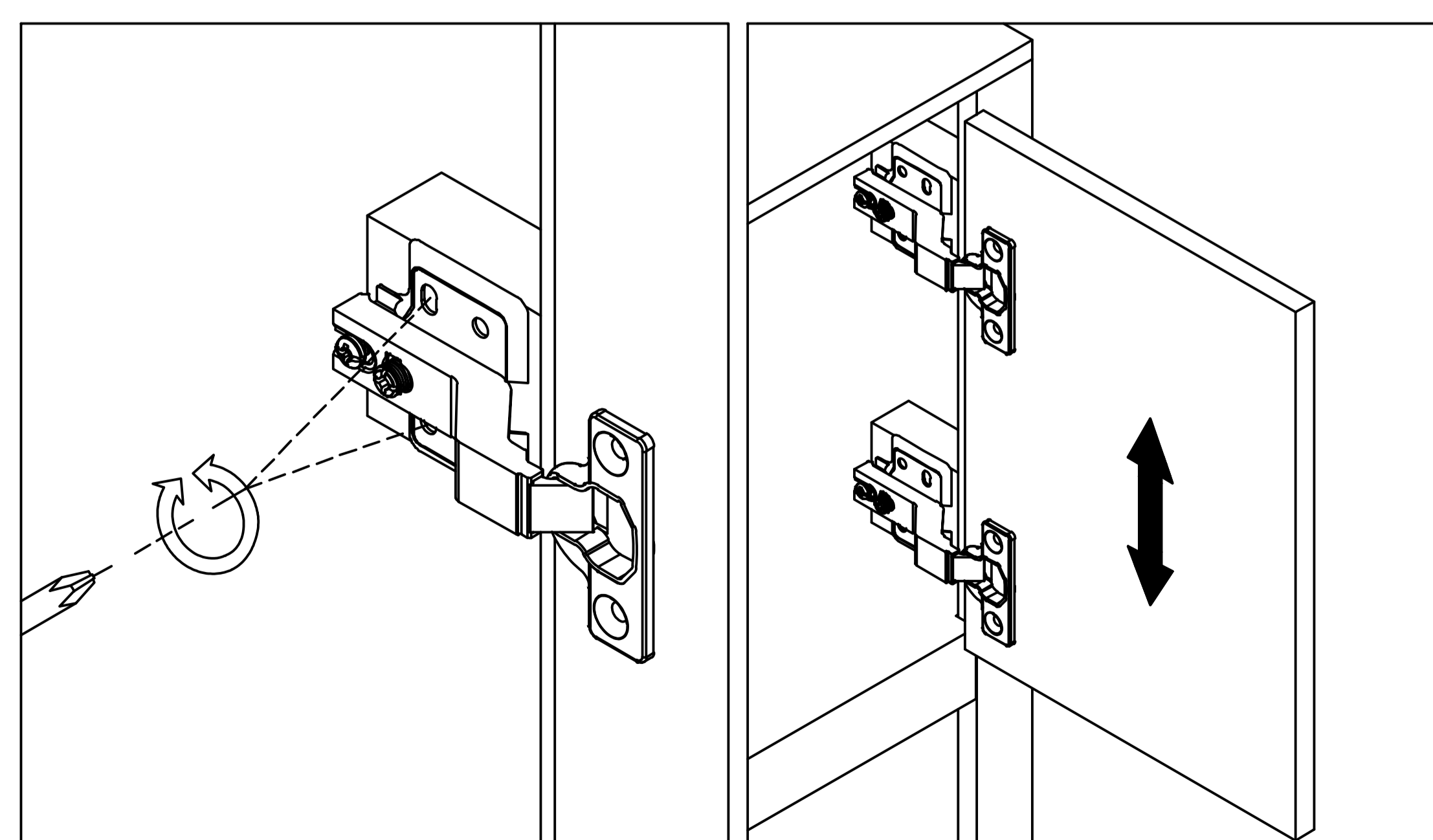
### Forward/Backward Alignment

Loosen screw "1" to adjust the door forward or backward. After adjustment, Tighten screw "1".

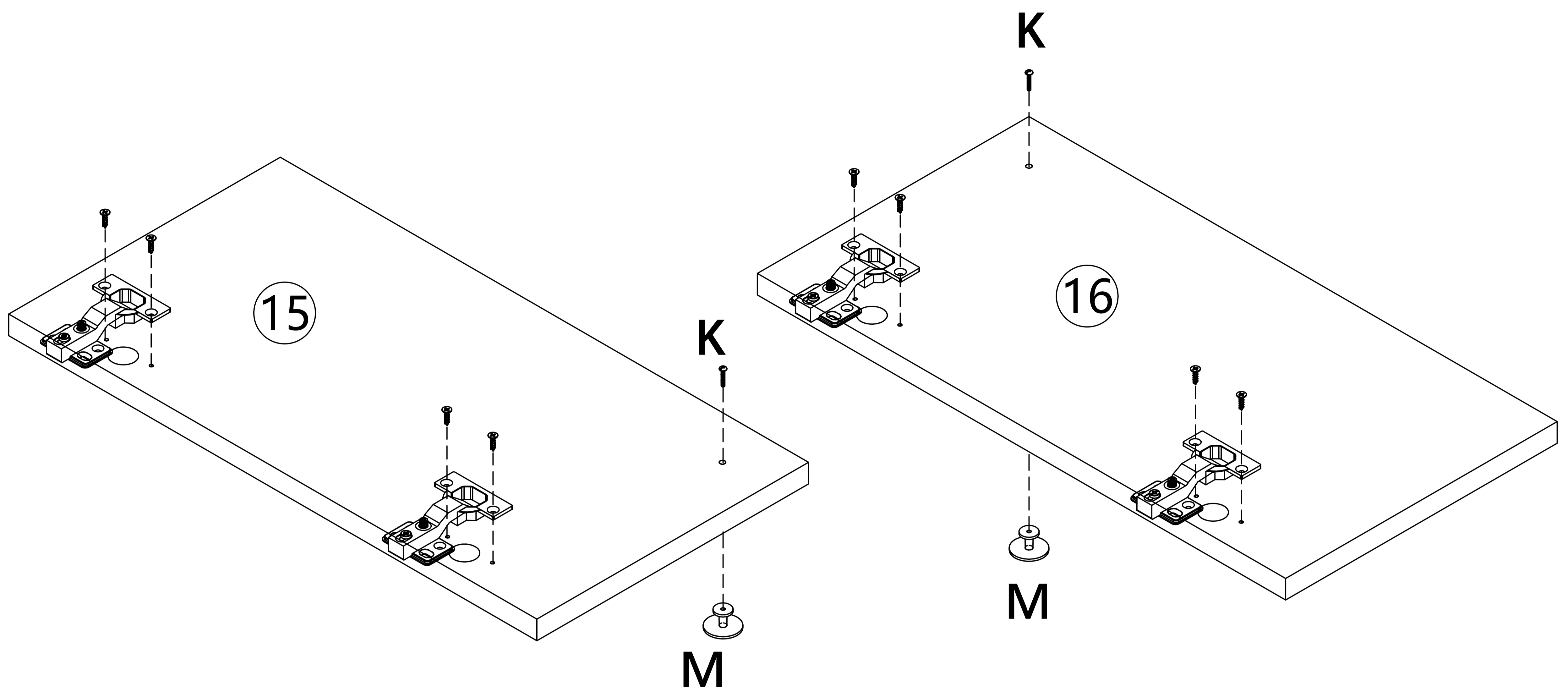
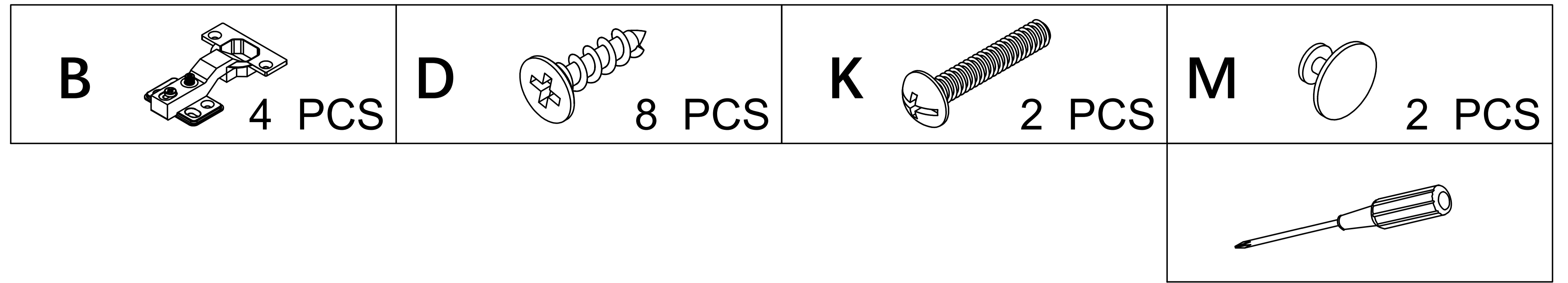


### Vertical Height Adjustment

Loosen screw "3" to adjust the door up or down. After adjustment, hold the door panel and tighten screw "3".

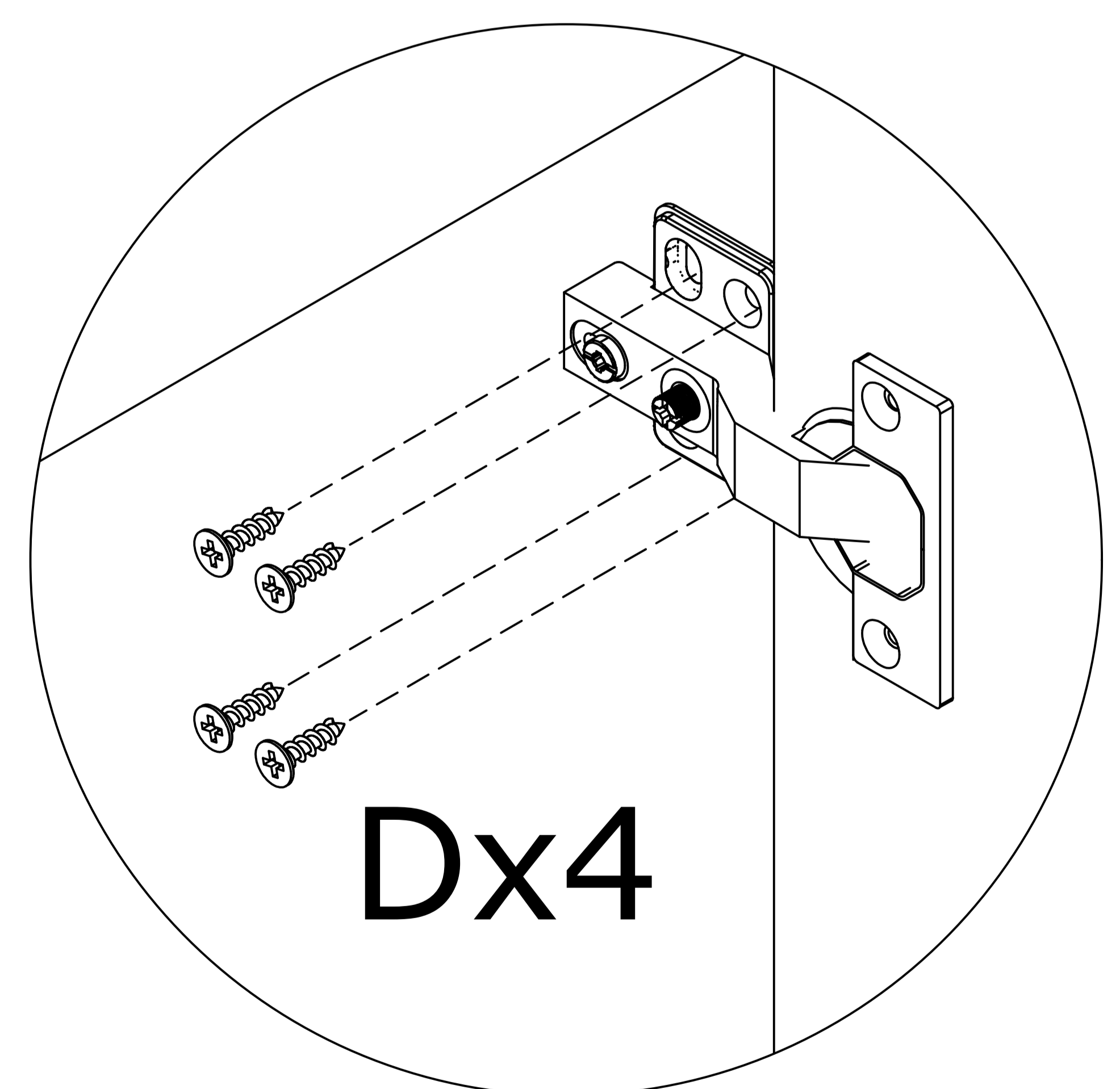
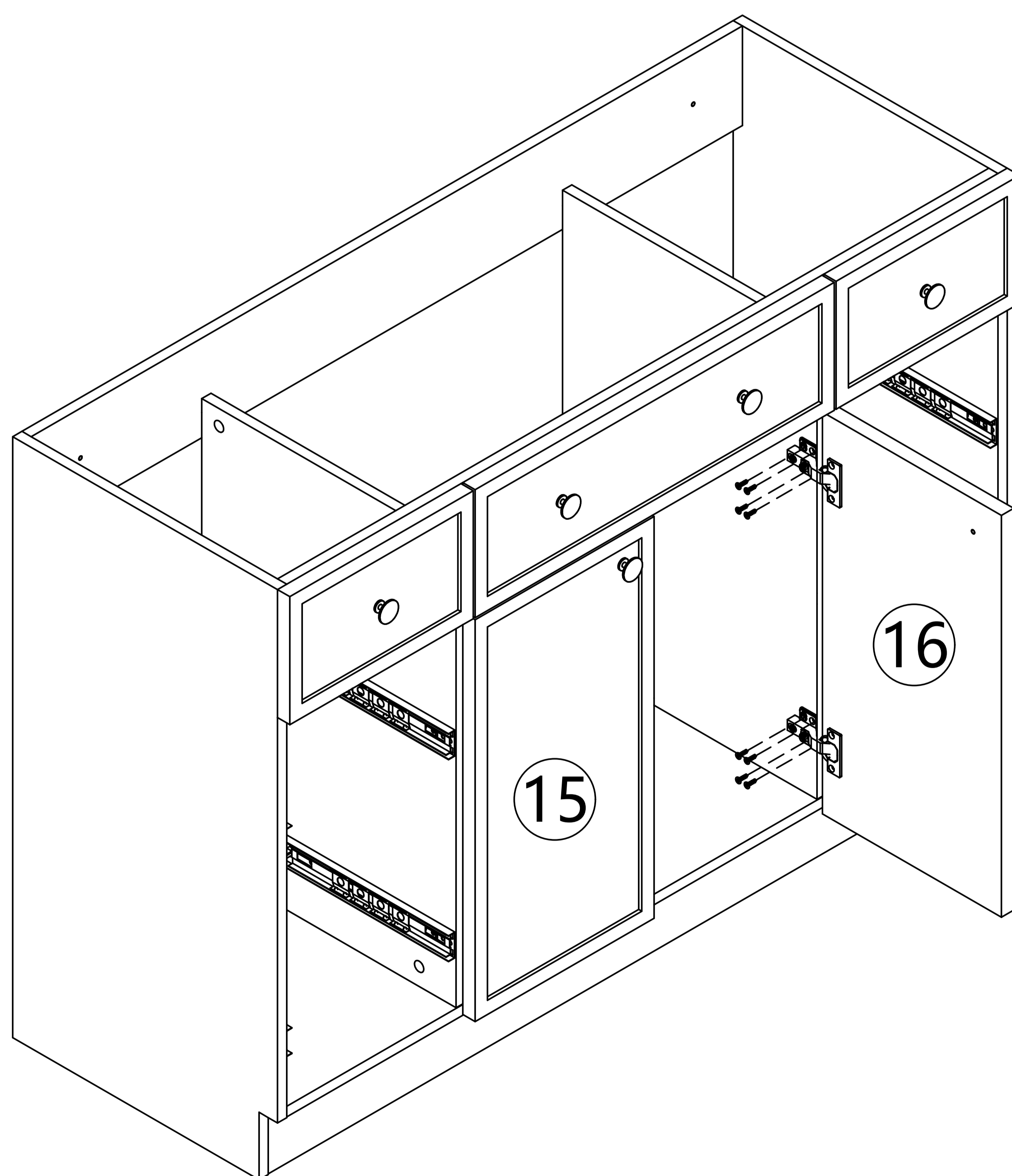
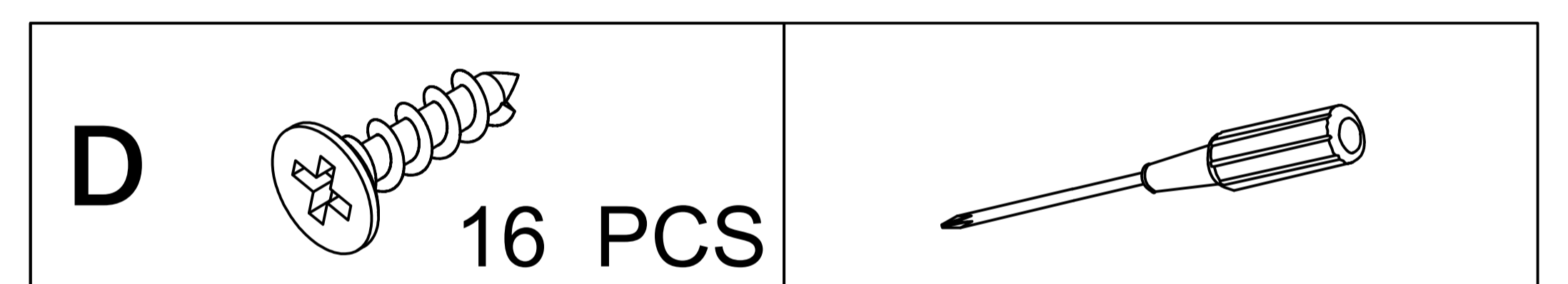


# 16



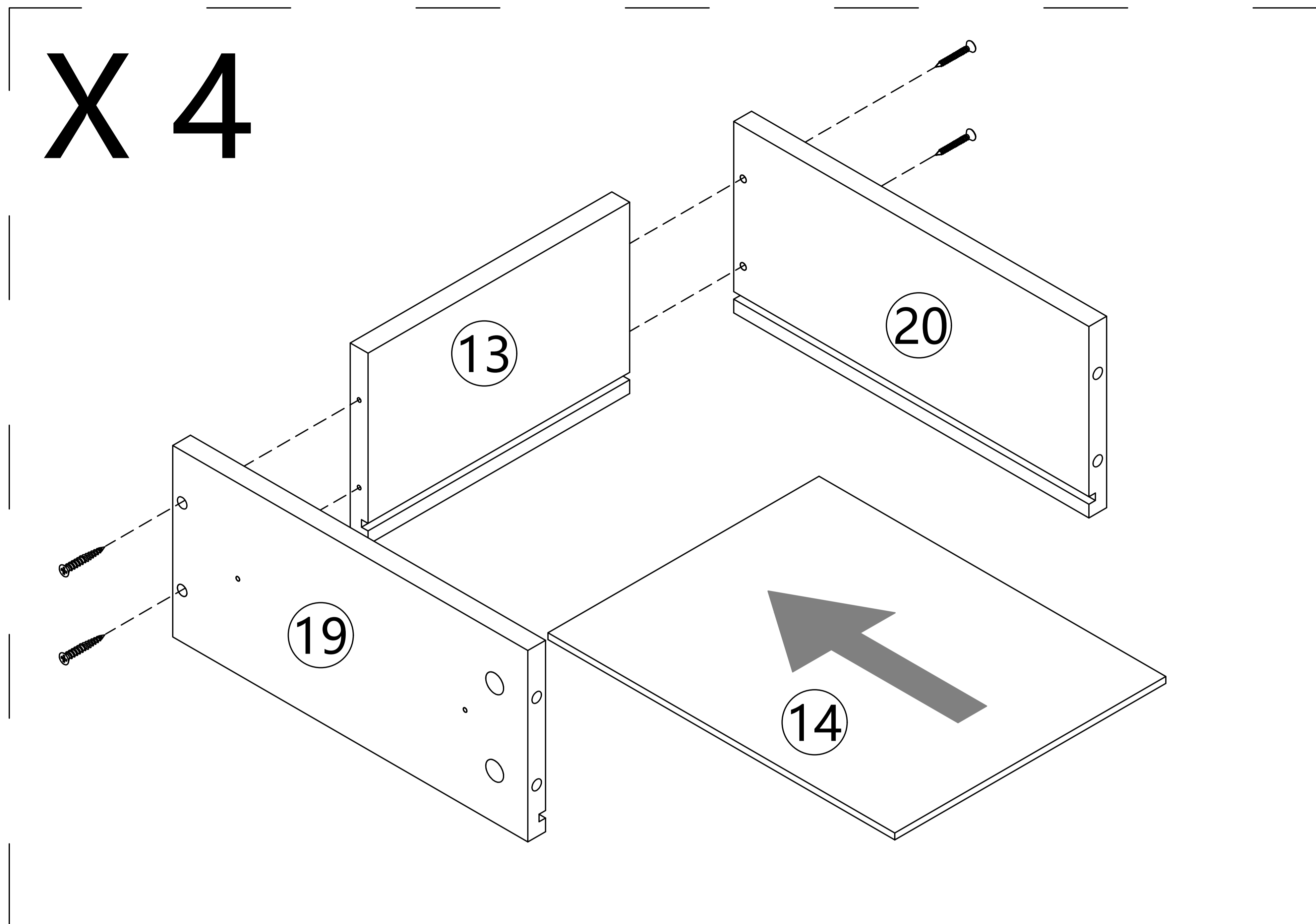
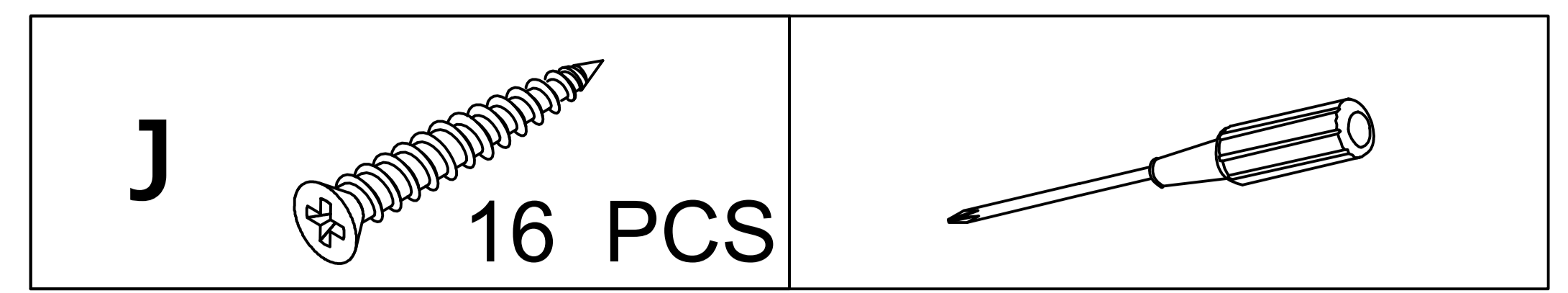
- Refer to the illustration, fix (B) with screw (D), and fix (M) with screw (K).

# 17



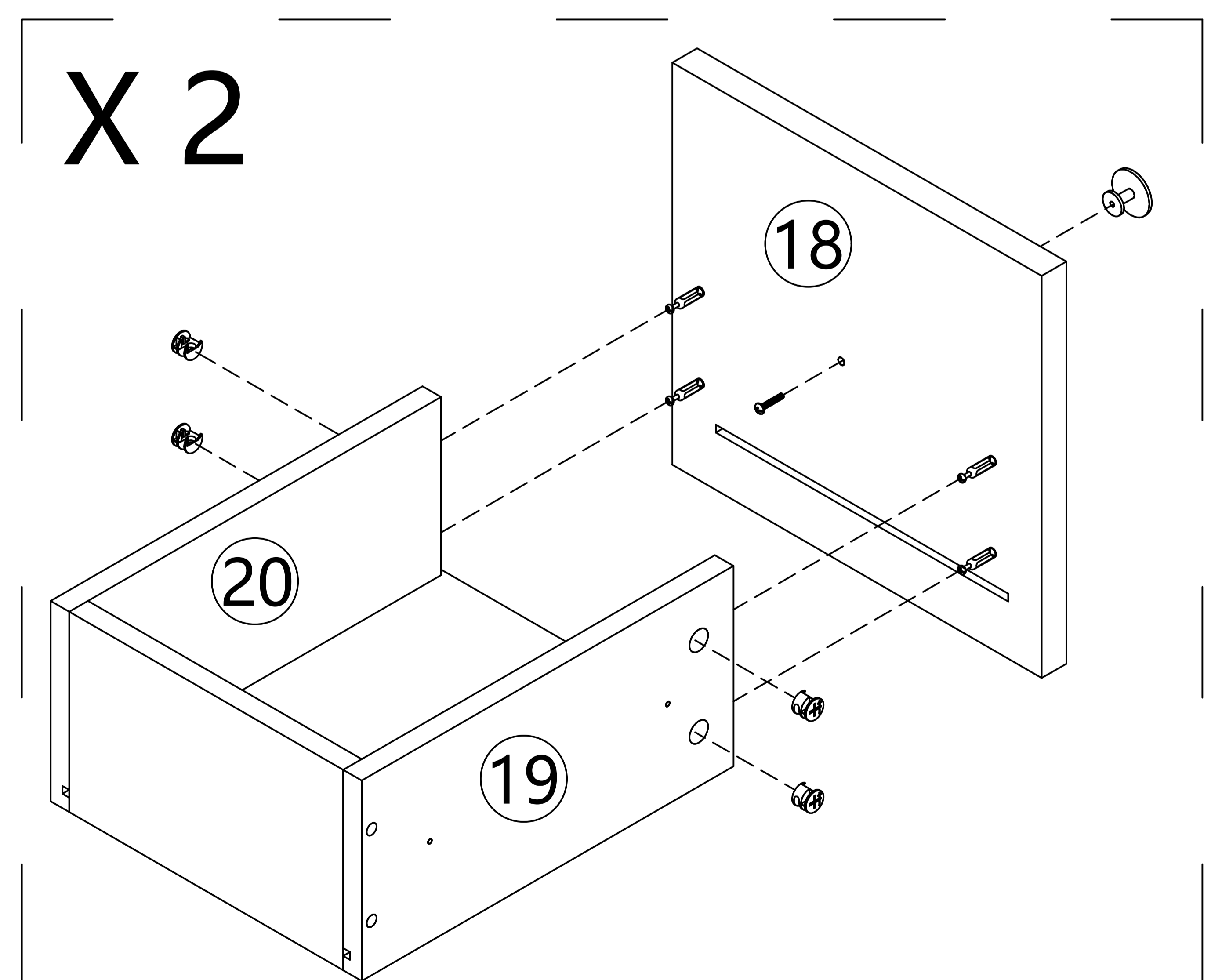
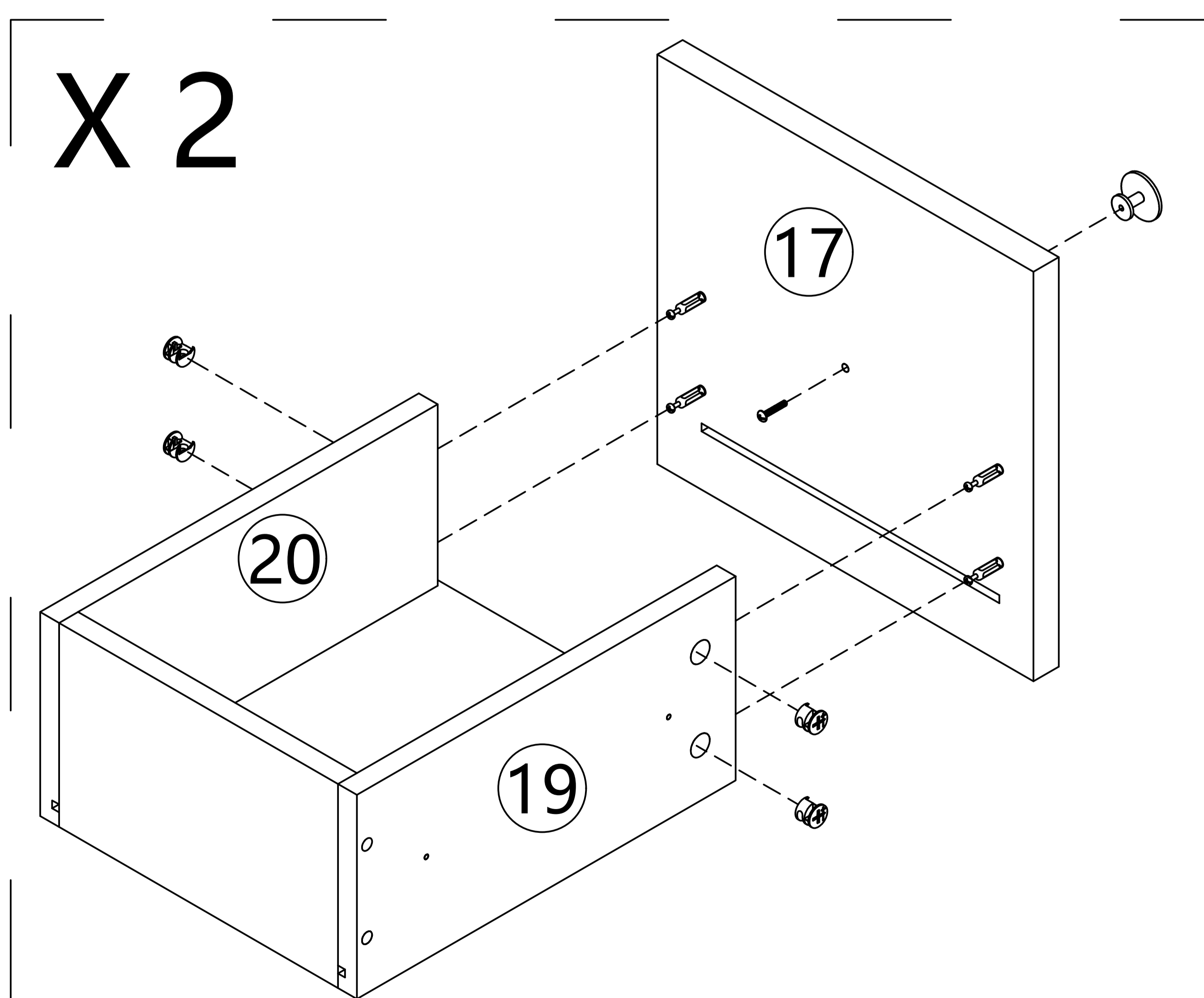
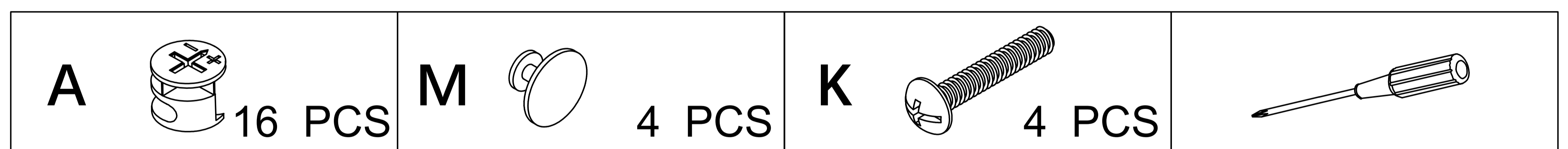
- Refer to the illustration and fix door panels (15) and (16) with screw (D).

# 18



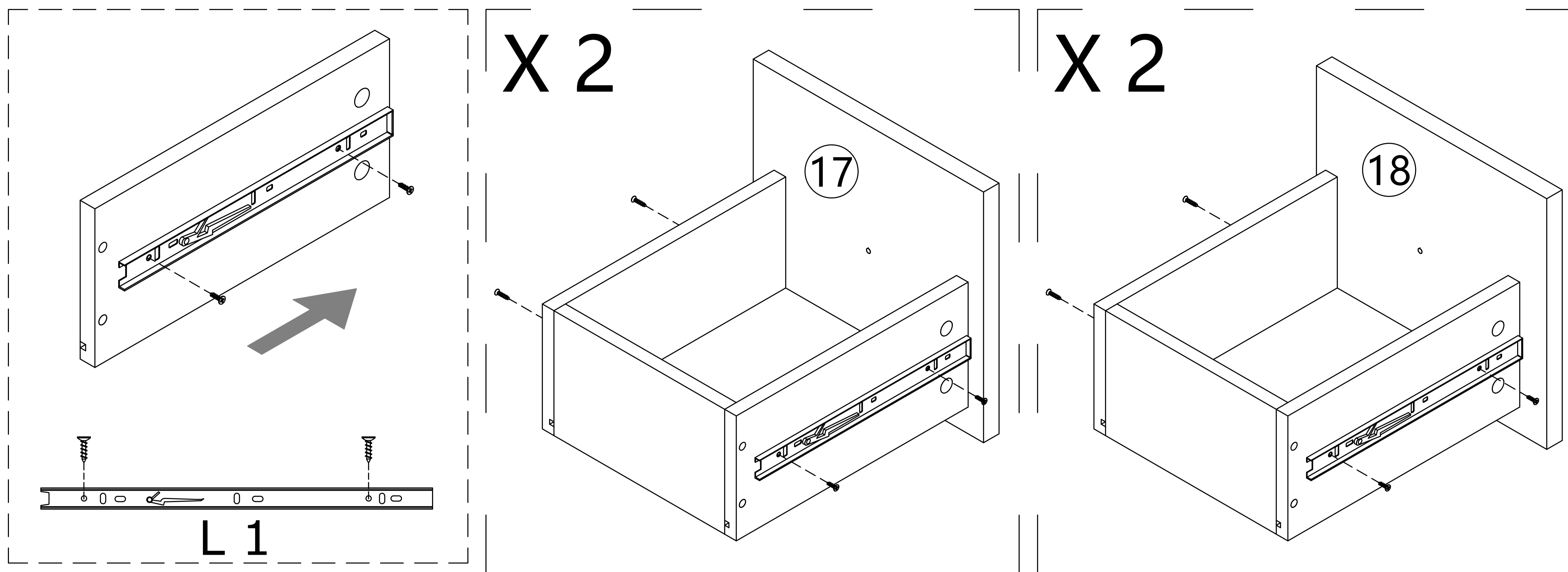
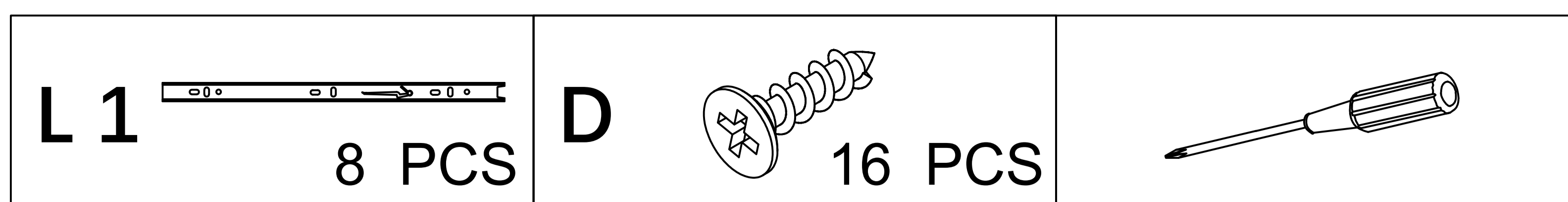
- Refer to the illustration, connect (19), (20) and (13), fix them with screw (J), and insert plate (14).

# 19



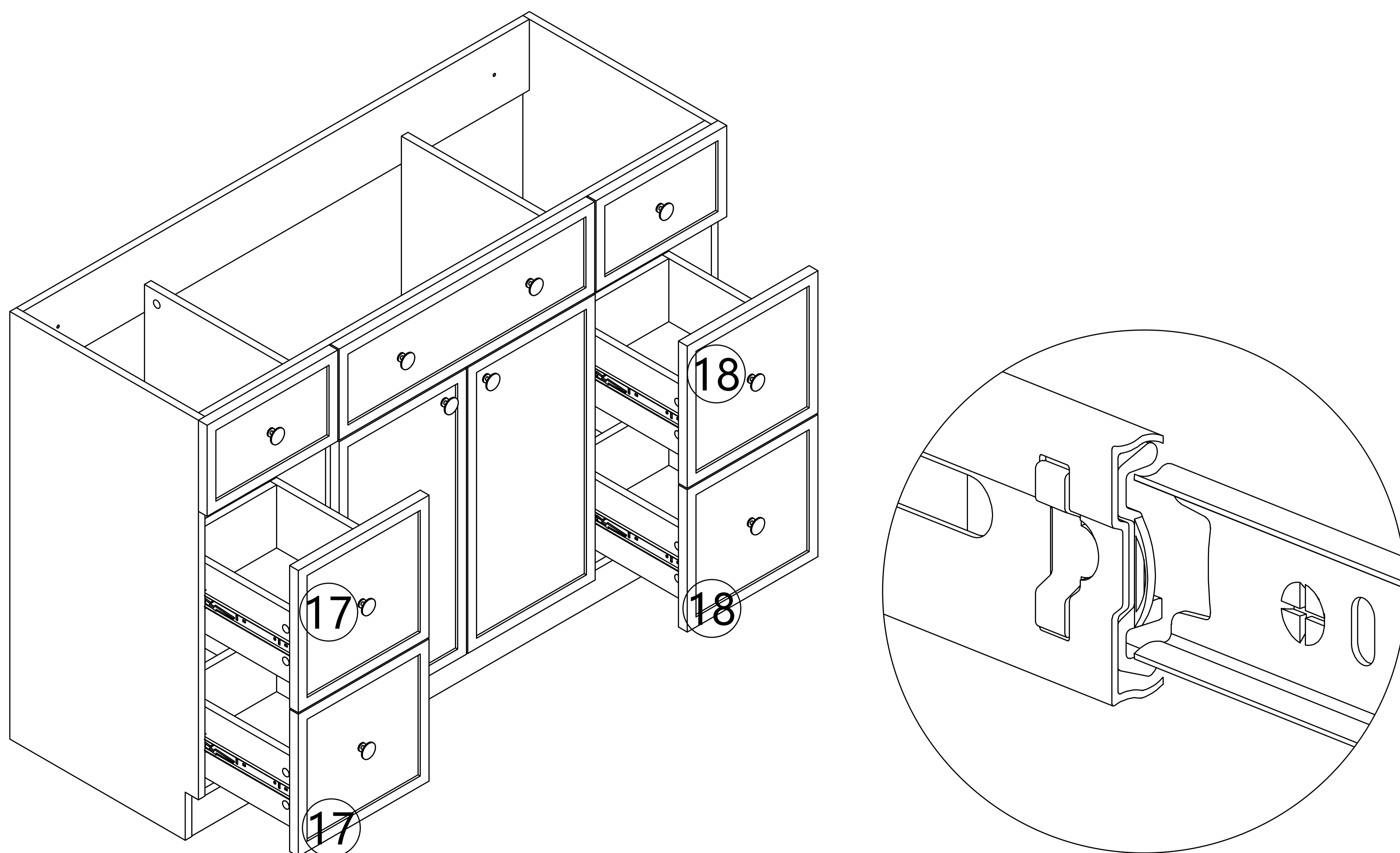
- Refer to the illustration, connect (19), (20), (17) and (18), tighten the cam lock, and fix (M) with screw (K).

# 20



- Refer to the illustration and fix (L1) with screw (D).

# 21



- Refer to the illustration, insert the drawers, and note that the drawers are distinguished between left and right.

# THANK YOU

Thank you for choosing our product. We sincerely hope that the assembly process has been smooth and enjoyable for you. If you have any questions or suggestions during the use of the product, please feel free to contact us.

Contact number: (323)-393-8260 at EST 9AM-1PM  
E-mail: [service@eclifeusa.com](mailto:service@eclifeusa.com)

