

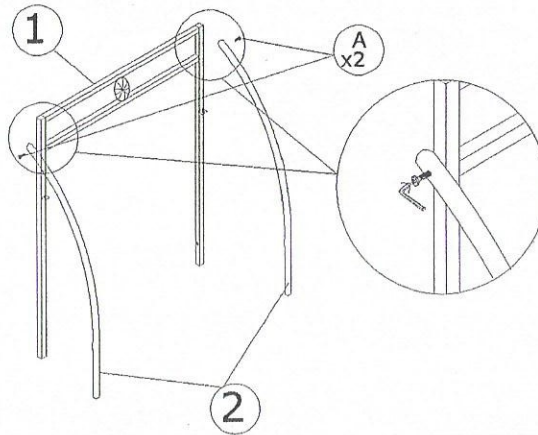
ASSEMBLY INSTRUCTION

BED SIDE TABLE

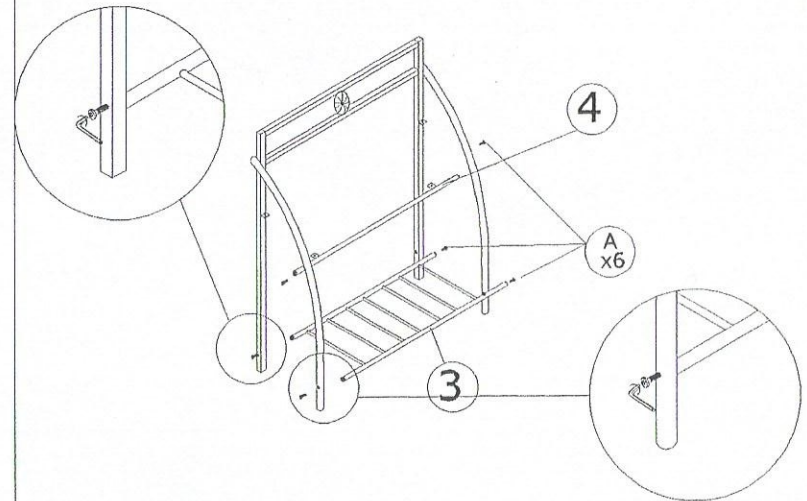
PARTS LIST

NO	DESCRIPTION	QTY
1	Back Panel	1 pcs
2	Side Leg	2 pcs
3	Shelf	1 pcs
4	Drawer suport	1 pcs
5	Drawer	1 pcs

STEP 1



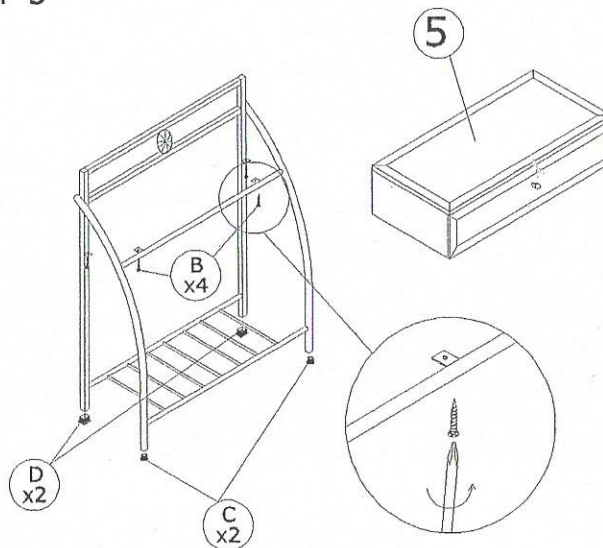
STEP 2



HARDWARE LIST

NO	DESCRIPTION	QTY
A	JCBC M6 x 35	8 pcs
B	CBS M3.5X16	4 pcs
C	19MM ROUND STOPPER	2 pcs
D	1" SQ STOPPER	2 pcs
E	ALLEN KEY	1 pcs

STEP 3



FULLY SET UP

