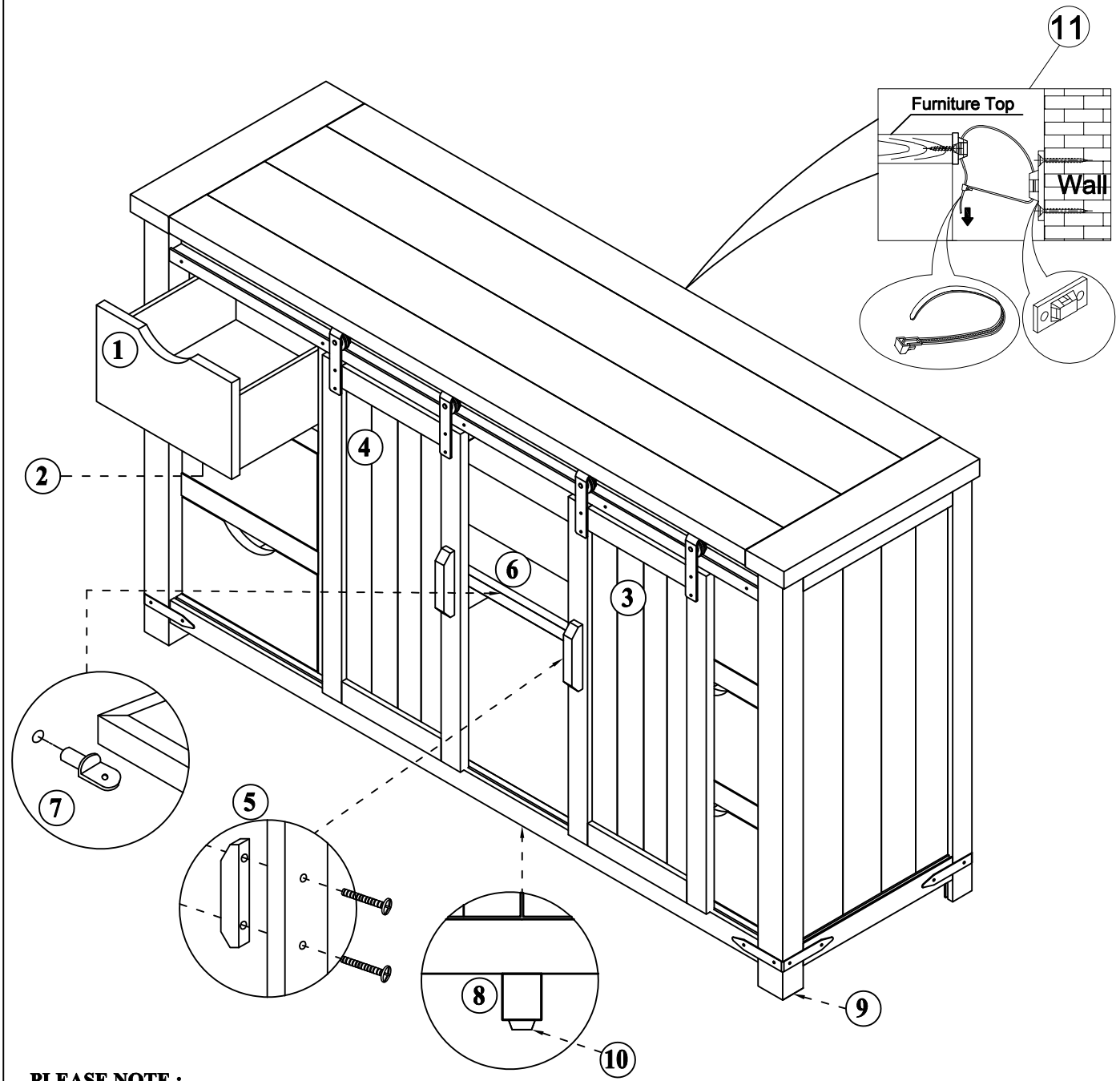


ASSEMBLY INSTRUCTIONS & PARTS IDENTIFICATION

MEDIA UNIT/ SERVER

Thank you for purchasing this quality product. Be sure to check all packing material carefully for small parts that may have come loose inside the carton during shipment.

Parts key							
No	Qty	Description	No	Qty	Description	No	Qty
1	6 Pcs.	Drawer Complete	7	4 Pcs.	Shelf Pin		
2	6 Sets.	Drawer Glide	8	2 Pcs.	Center Leg		
3	1 Pc.	Right Facing Door	9	4 Pcs.	Floor Glide		
4	1 Pc.	Left Facing Door	10	2 Pc.	Leveler		
5	2 Pcs.	Wood Handle W/Screws	11	1 Set.	Anti- Tip Kit		
6	1 Pc.	Shelf					



PLEASE NOTE :
To avoid the possibility of the furniture tipping and injury. The anti tip hardware must be installed