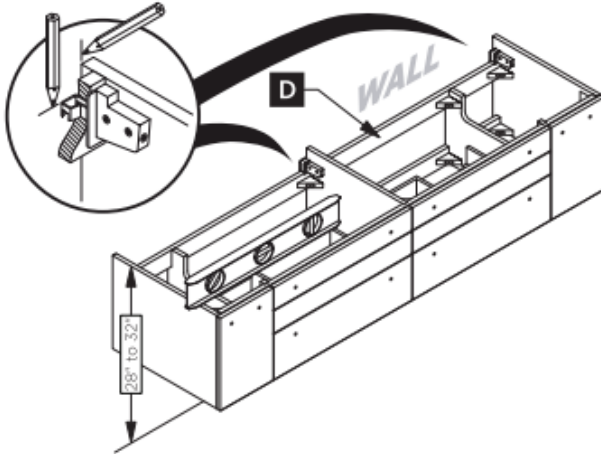


INSTALLATION GUIDE

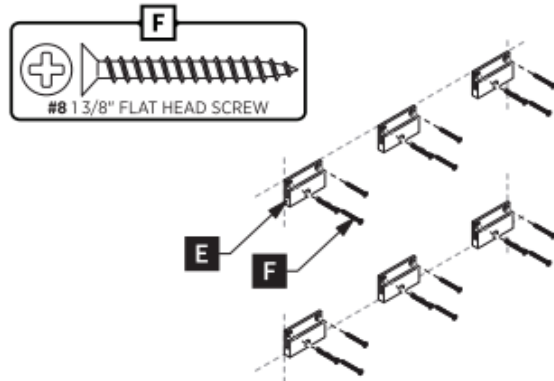
EVIVA WALL MOUNT VANITY

CABINET INSTALLATION

- 1** Place cabinet (D) in designated location and mark the bracket position on the wall.

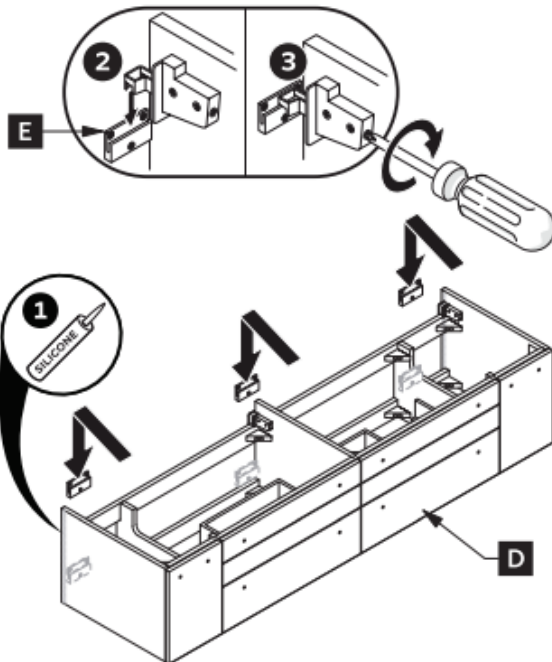


- 2** Attach wall brackets (E) to the wall with the screws (F).

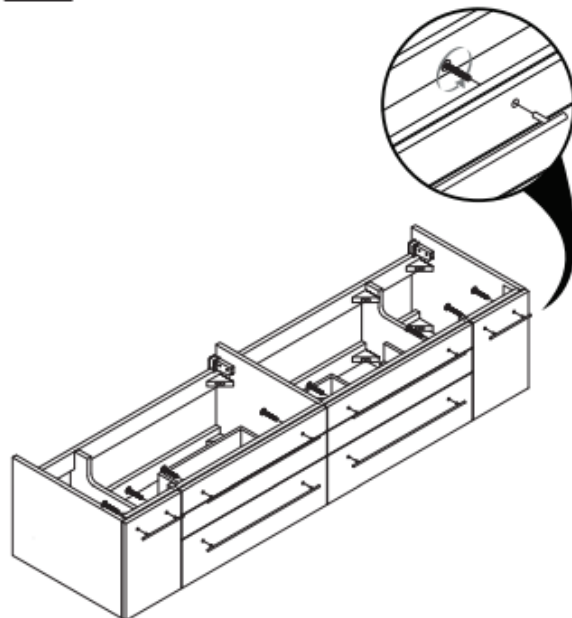


IMPORTANT: Consult an expert for the proper screws/bolts to use when attaching to various constructions. Screws provided do not attach to all wall construction types. Anchors are not required if brackets are installed in stud.

- 3** Apply a bead of the silicone and hang a cabinet (D) on the brackets (E).

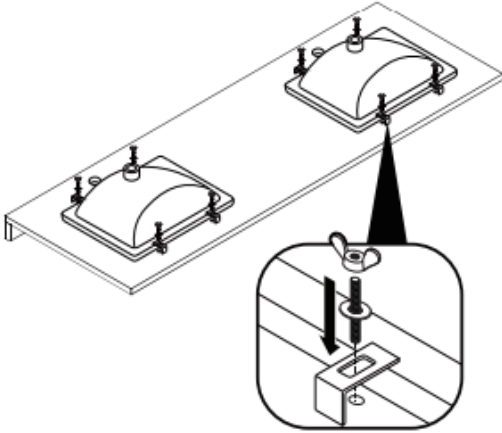


- 4** Attach the handles to the cabinet.

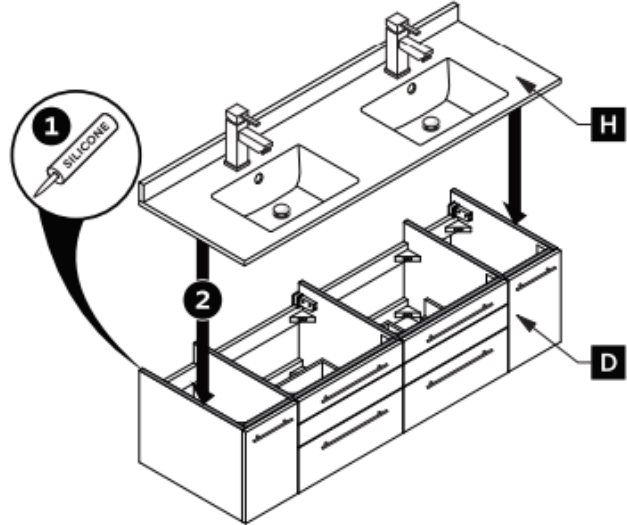


CABINET INSTALLATION

- 5** Flip the counter top upside down and attach the sinks to it using provided brackets & screws.

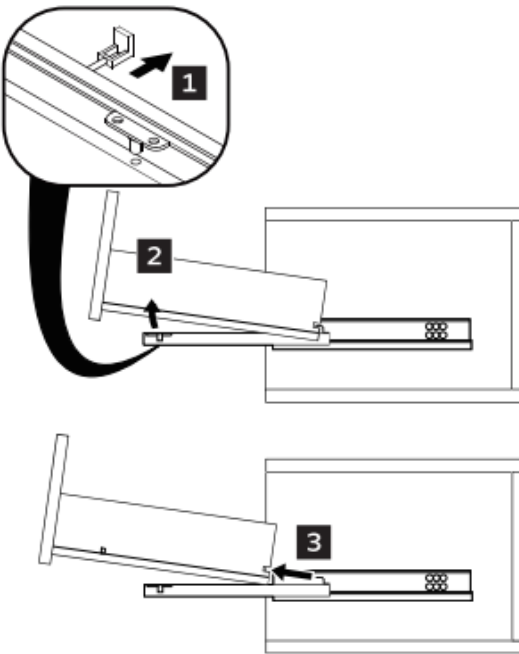


- 6** Put a bead of silicone on the top of the cabinet (D) then place counter top/ sinks (H) on the top of it.



DRAWER REMOVAL & INSTALLATION

DRAWER REMOVAL



DRAWER INSTALLATION

