
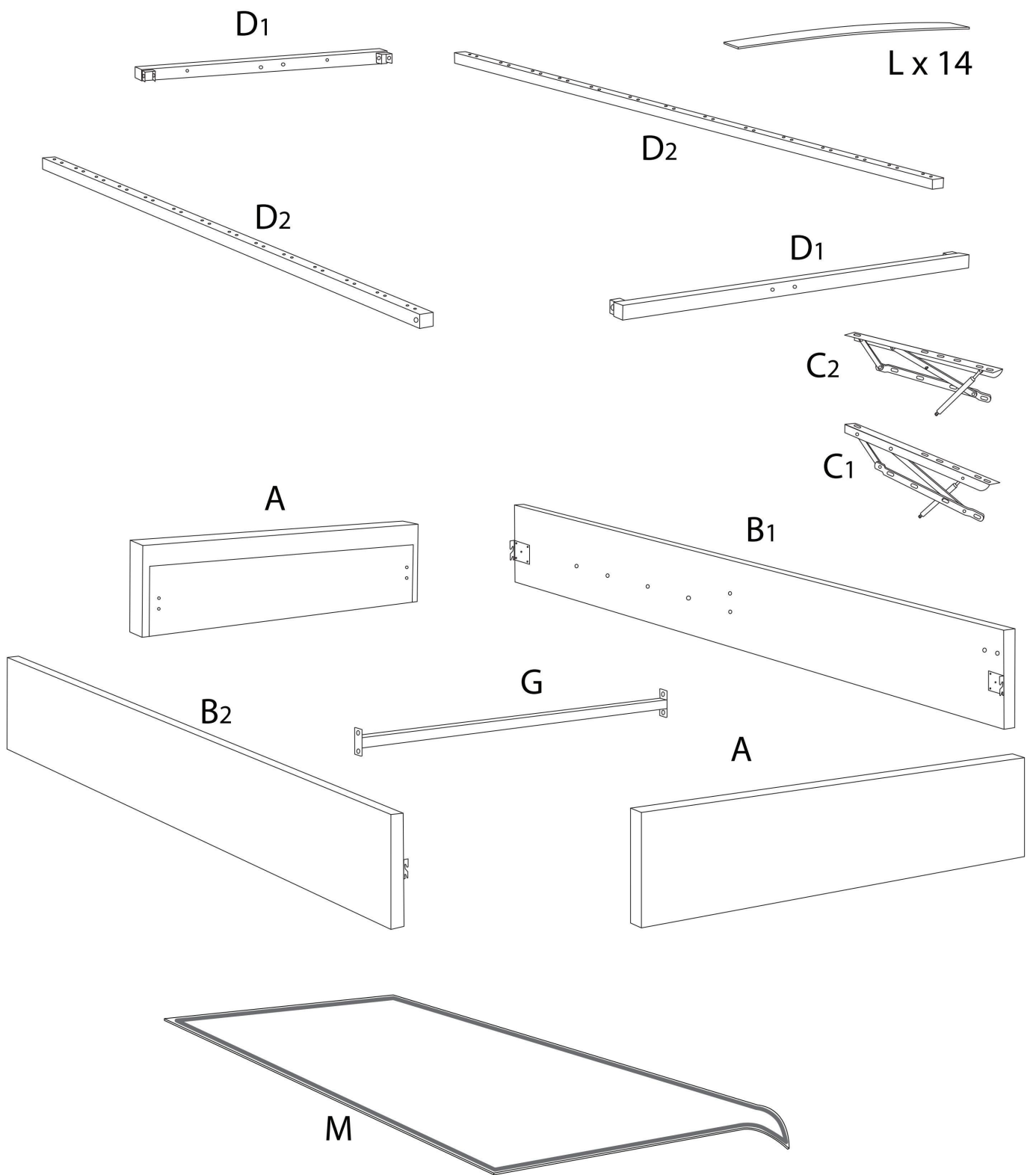
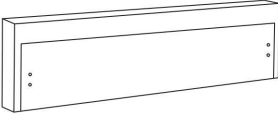
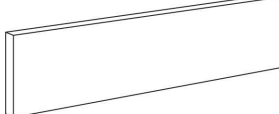
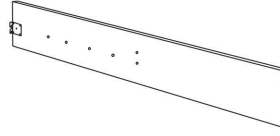
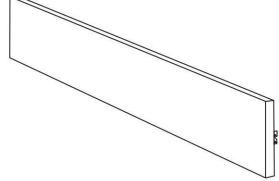
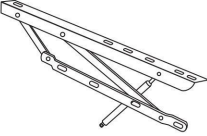
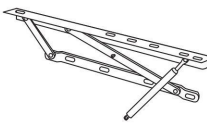
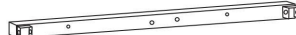
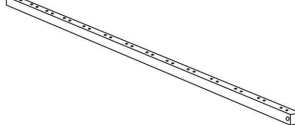



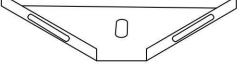
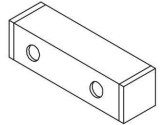
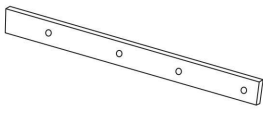

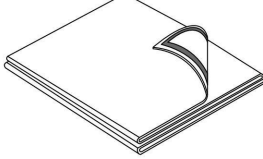

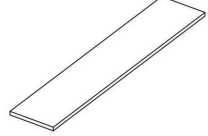
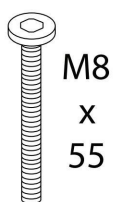
	<p>60'</p>
		
		<p>2</p>



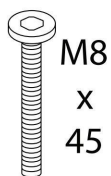
<p>A1</p>  <p>x 1</p>	<p>A2</p>  <p>x 1</p>	<p>B1</p>  <p>x 1</p>	<p>B2</p>  <p>x 1</p>
<p>C1</p>  <p>x 1</p>	<p>C2</p>  <p>x 1</p>	<p>D1</p>  <p>x 2</p>	<p>D2</p>  <p>x 2</p>
<p>E</p>  <p>x 2</p>	<p>F</p>  <p>x 1</p>	<p>G</p>  <p>x 1</p>	<p>I</p>  <p>x 2</p>
<p>J</p>  <p>x 2</p>	<p>K</p>  <p>x 2</p>	<p>L</p>  <p>x 14</p>	<p>M</p>  <p>x 1</p>
<p>N</p>  <p>x 2</p>		<p>O</p>  <p>x 2</p>	

1



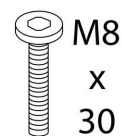
x 4

2



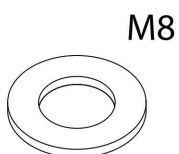
x 10

3



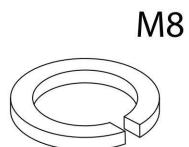
x 8

4



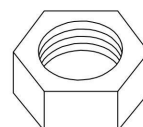
x 22

5



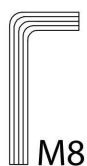
x 22

6



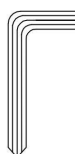
x 10

7



x 1

8



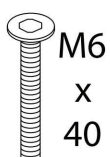
x 1

9



x 1

10



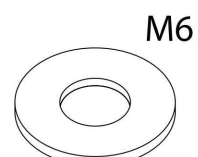
x 8

11



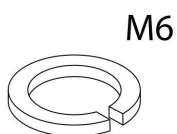
x 12

12



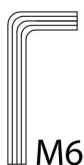
x 20

13



x 20

14



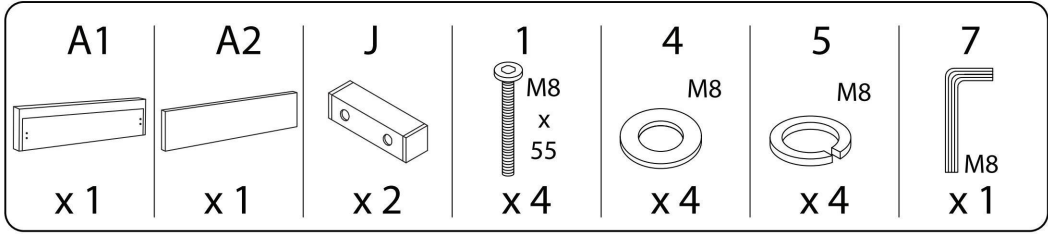
x 1

15

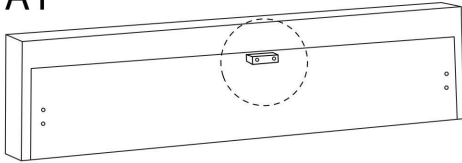


x 28

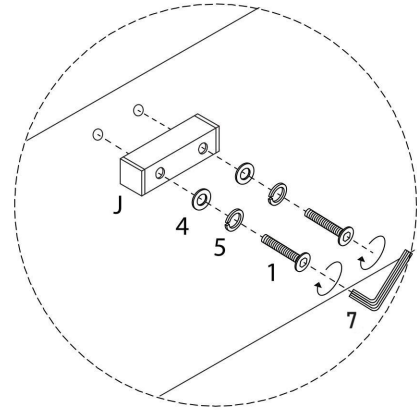
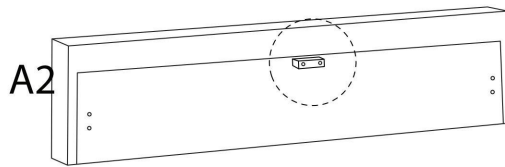
1



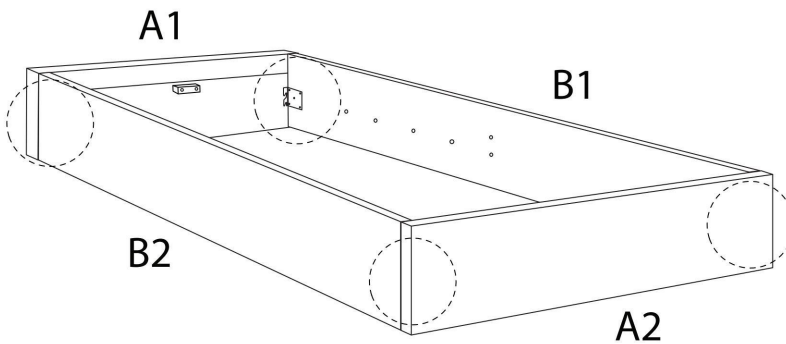
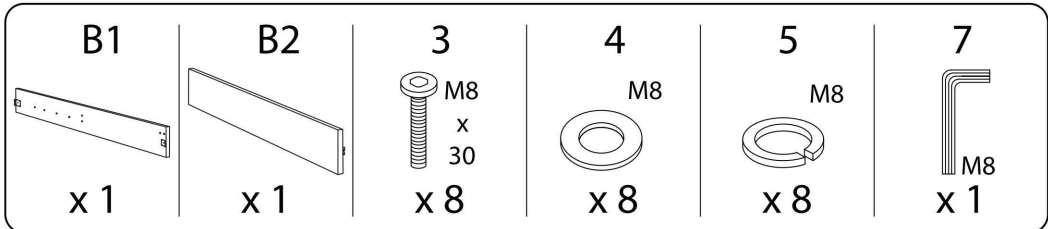
A1



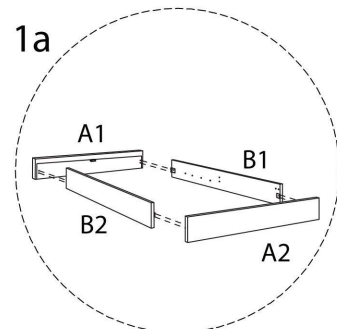
A2



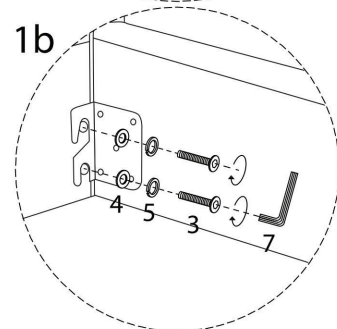
2



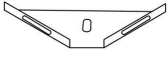


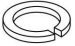
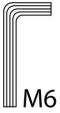
1a

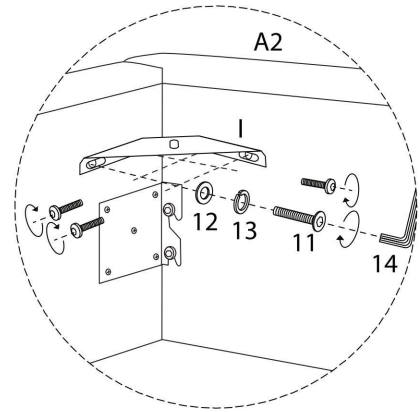
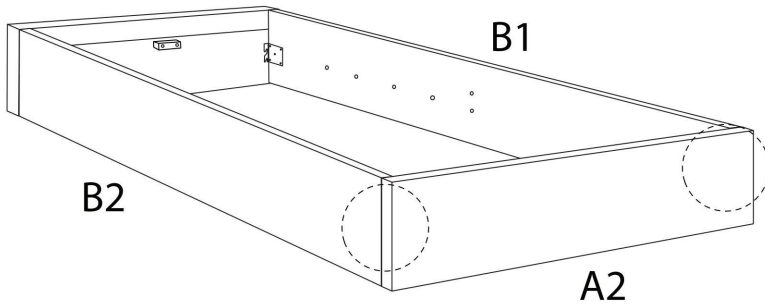


1b

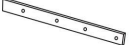

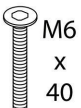


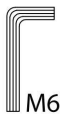


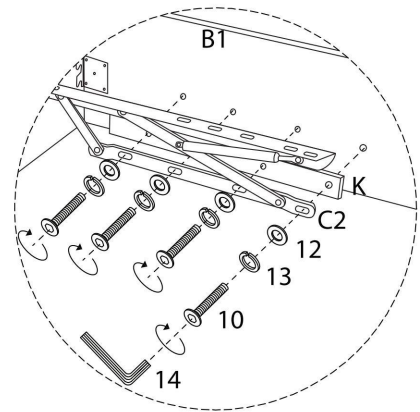
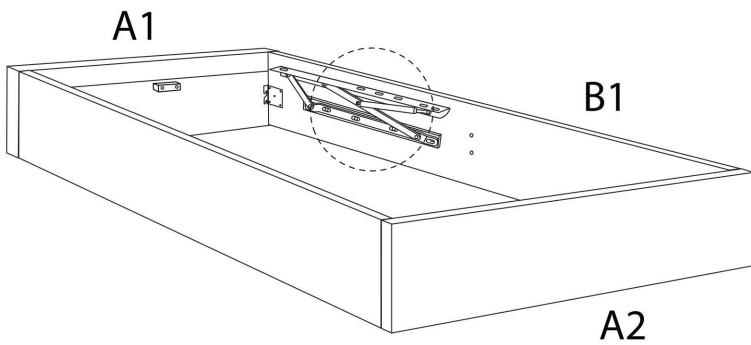
3

I	11	12	13	14
				
x 2	x 8	x 8	x 8	x 1

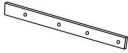

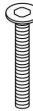


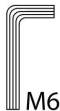


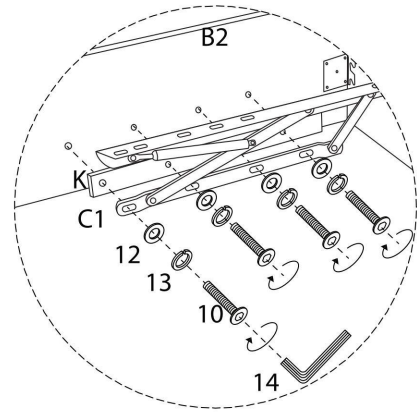
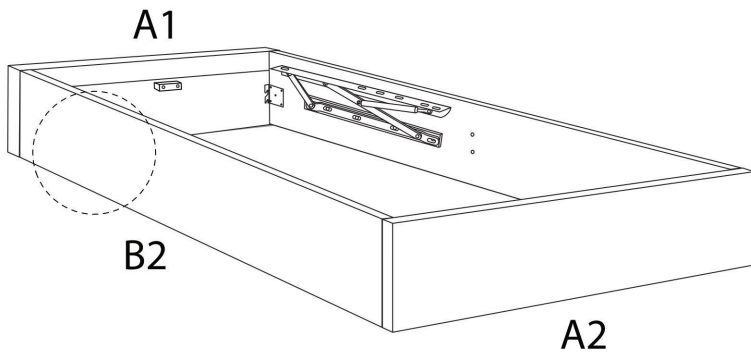
4

K	C2	10	12	13	14
					
x 1	x 1	x 4	x 4	x 4	x 1





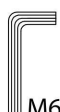


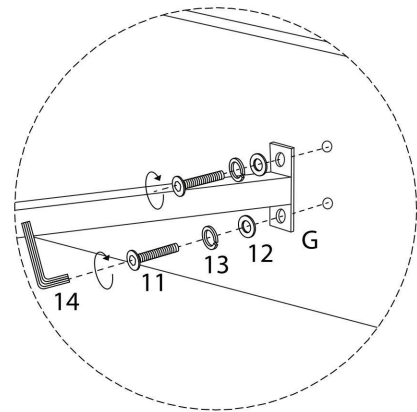
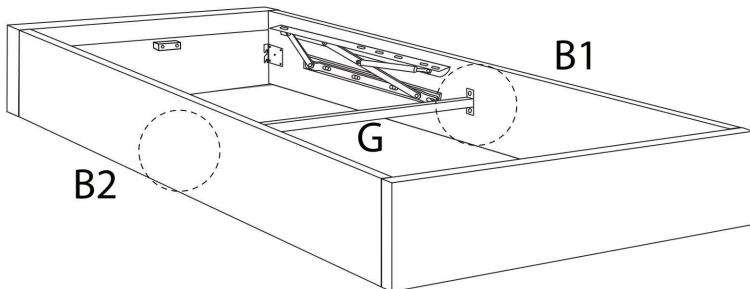
5

K  x 1	C1  x 1	10 M6 x 40  x 4	12 M6  x 4	13 M6  x 4	14 M6  x 1
------------------------------------------------------------------------------------------------------	-------------------------------------------------------------------------------------------------------	------------------------------------------------------------------------------------------------------------------------	--------------------------------------------------------------------------------------------------------------	---------------------------------------------------------------------------------------------------------------	---------------------------------------------------------------------------------------------------------------

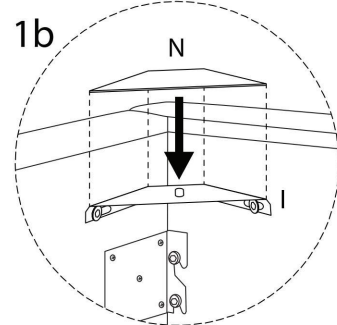
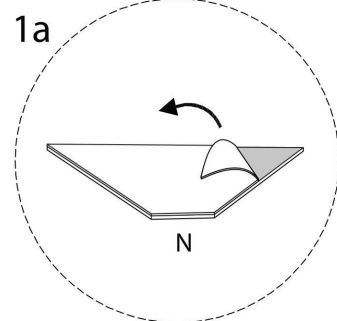
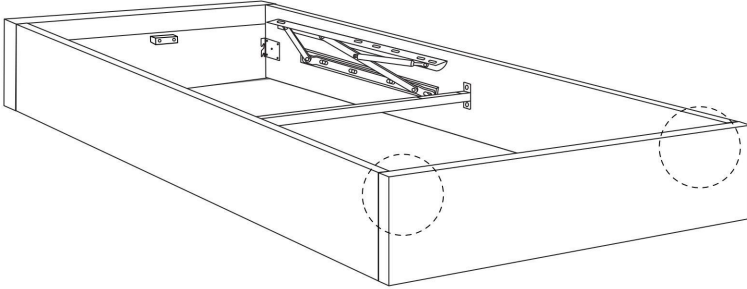
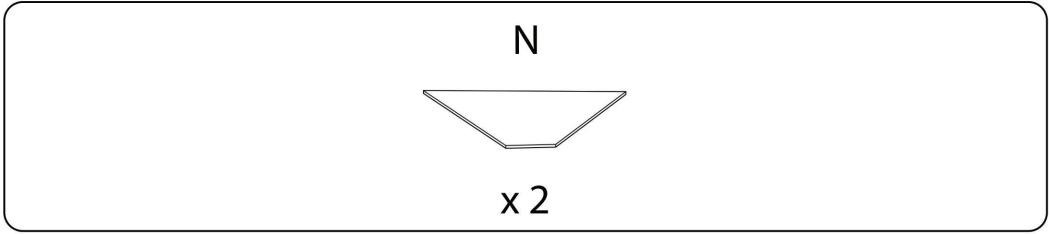


6

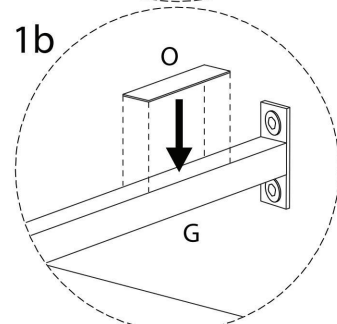
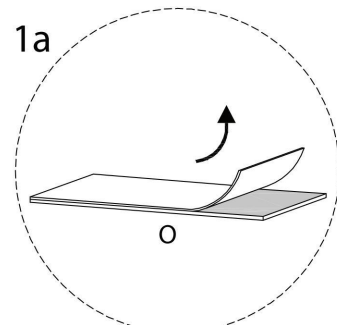
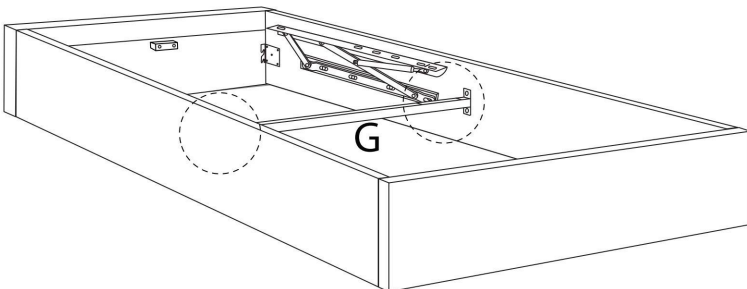
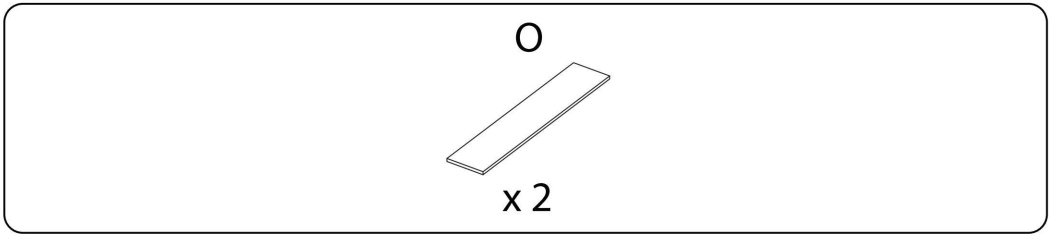
G  x 1	11 M6 x 20  x 4	12 M6  x 4	13 M6  x 4	14 M6  x 1
--------------------------------------------------------------------------------------------------------	--------------------------------------------------------------------------------------------------------------------------	---------------------------------------------------------------------------------------------------------------	-----------------------------------------------------------------------------------------------------------------	-----------------------------------------------------------------------------------------------------------------




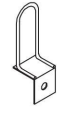
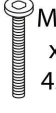
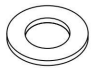

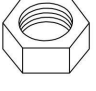


7

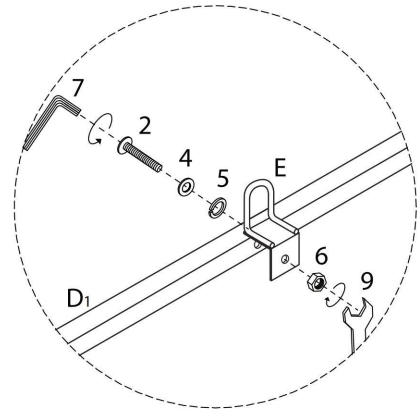
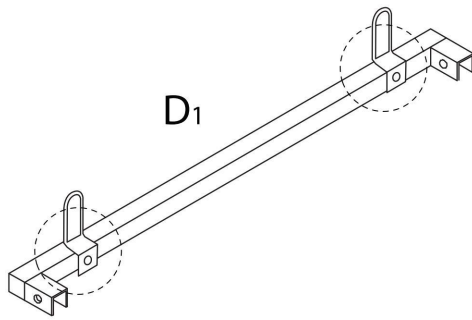


8

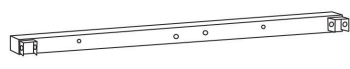



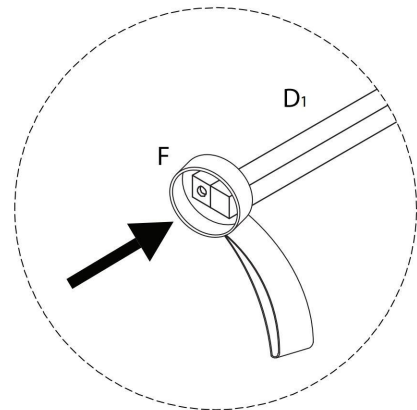
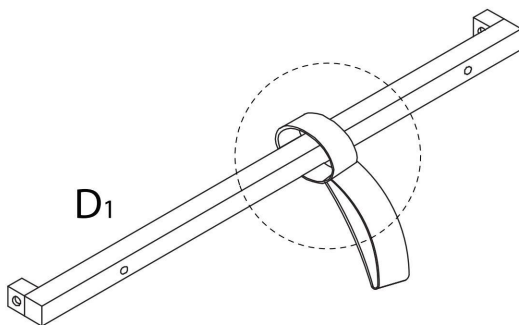
9

D ₁	E	2	4	5	6	7	9
							
x 1	x 2	x 2	x 2	x 2	x 2	x 1	x 1


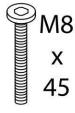

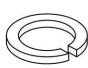





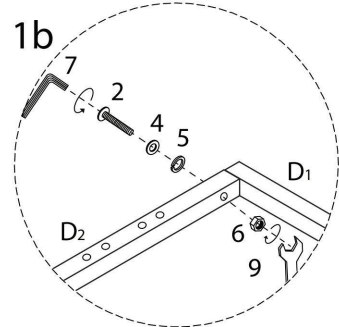
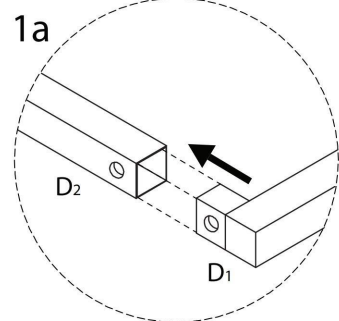
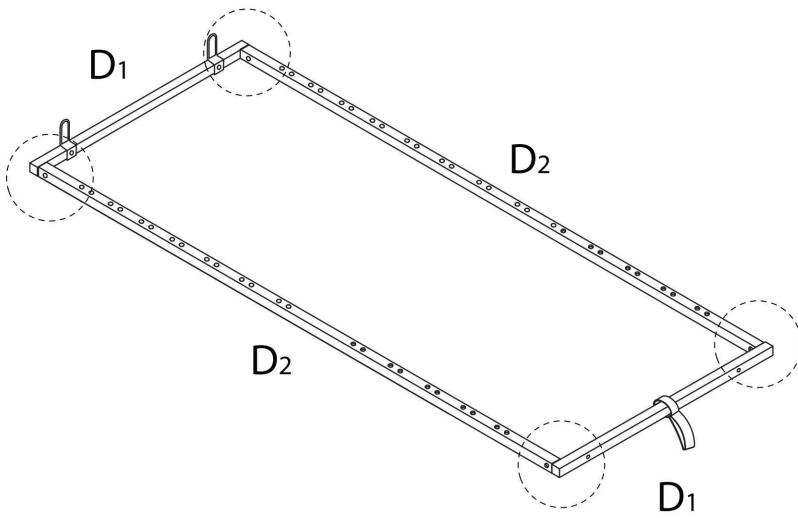
10

D ₁	F
	
x 1	x 1

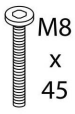



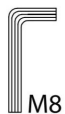



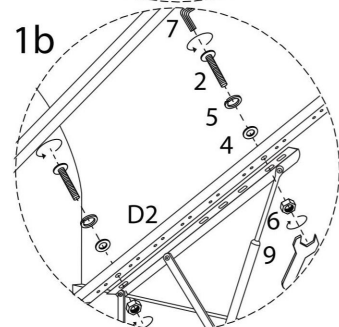
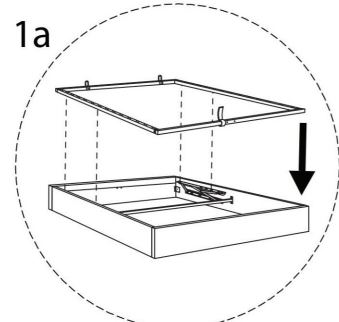
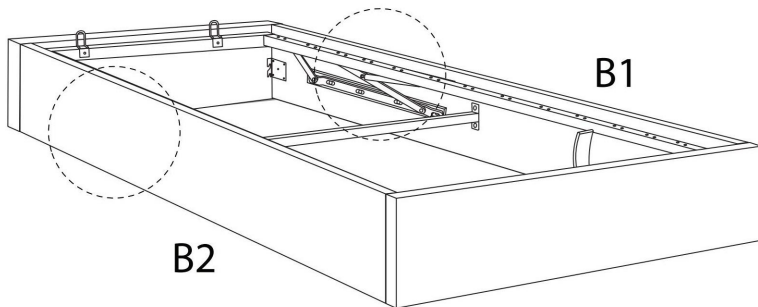
11

D2	2	4	5	6	7	9
						
x 2	x 4	x 4	x 4	x 4	x 1	x 1

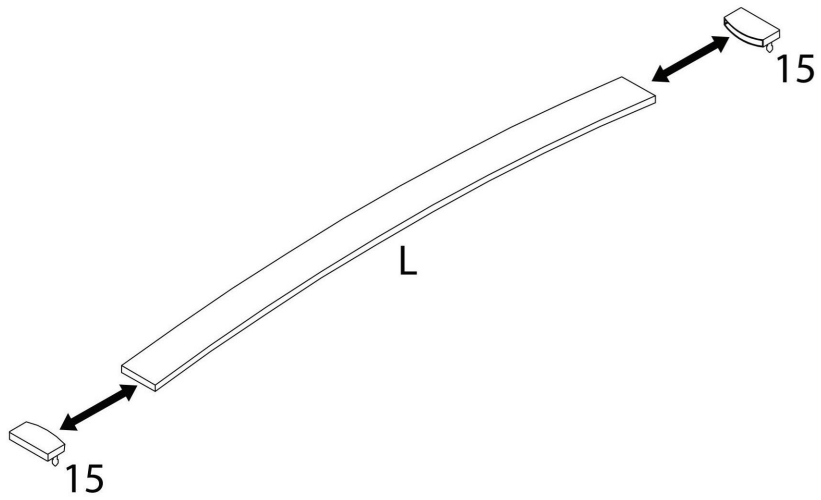
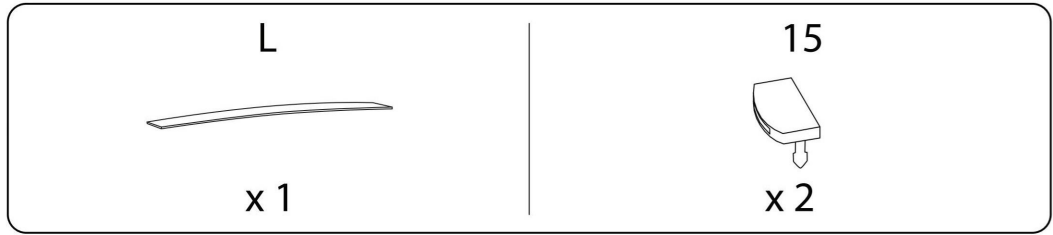


12

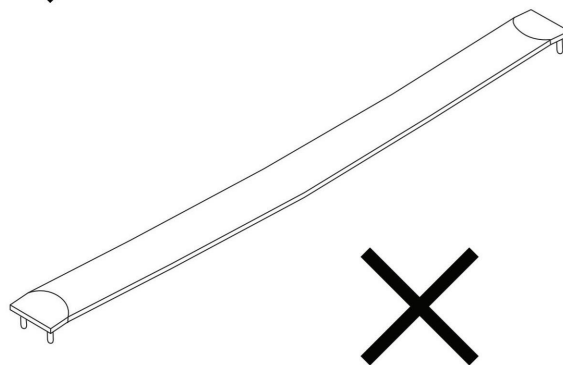
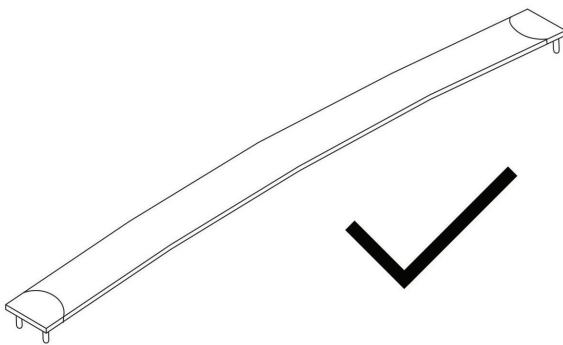
2	4	5	6	7	9
					
x 4	x 4	x 4	x 4	x 1	x 1



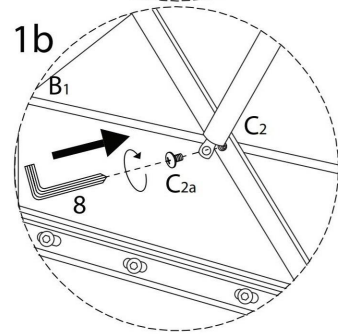
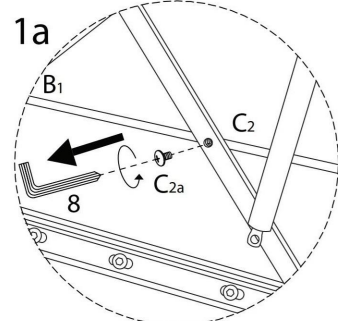
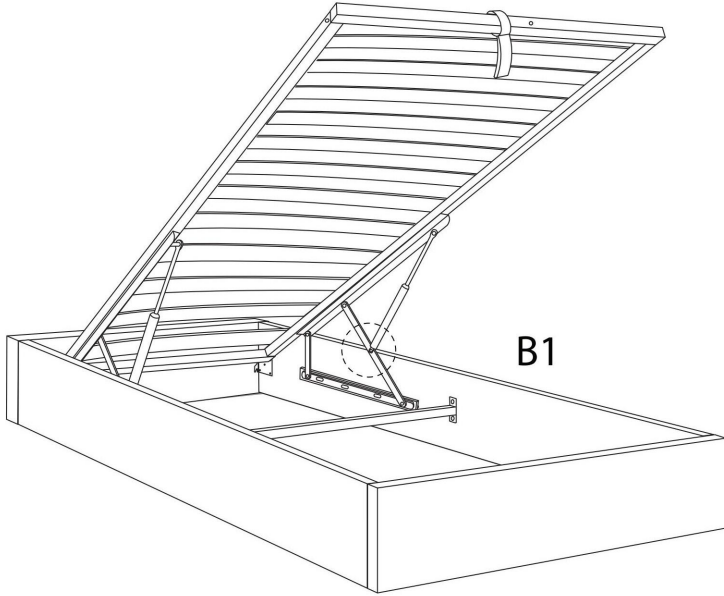
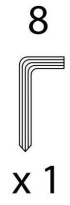
13



!



16



17

