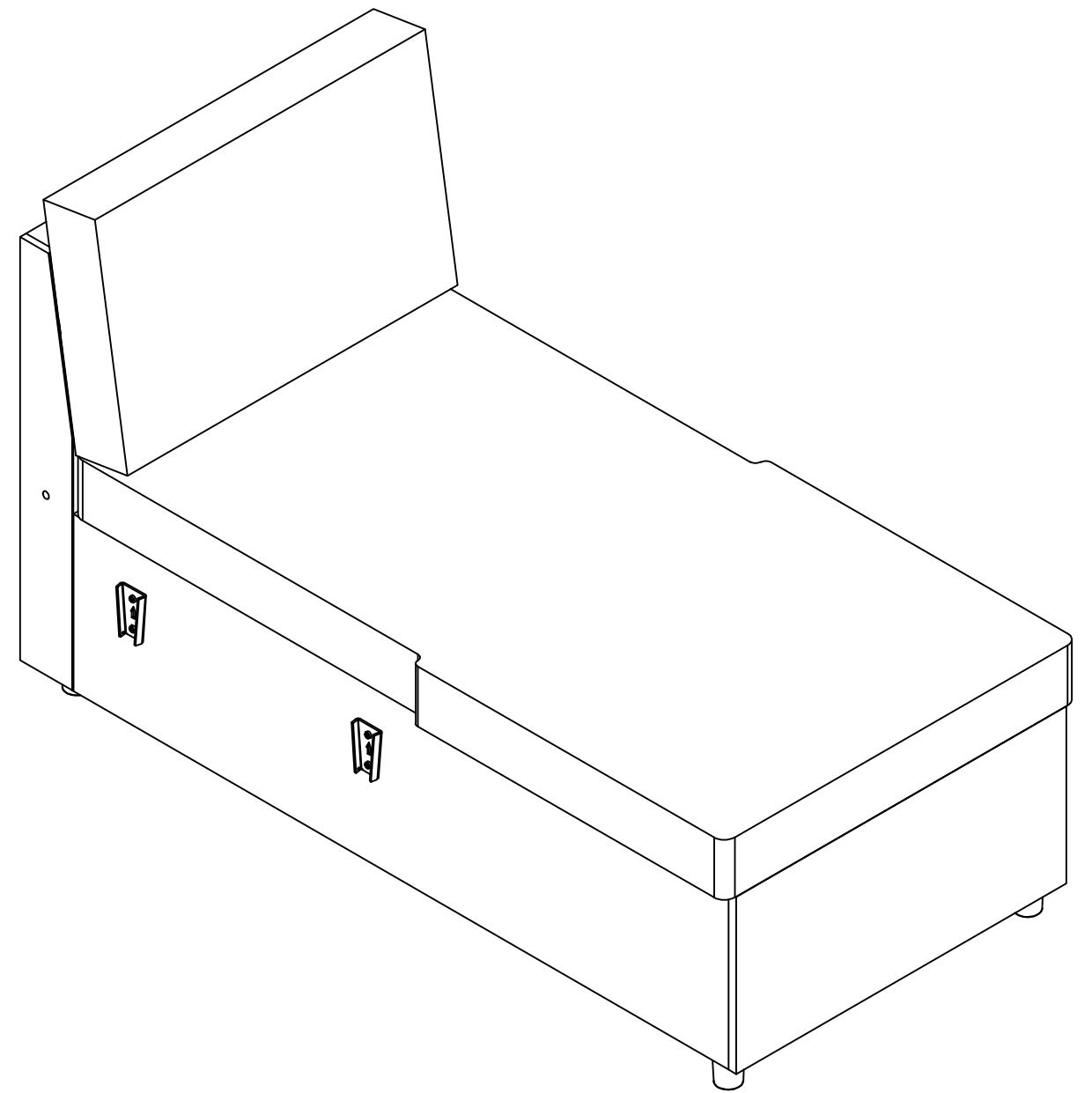
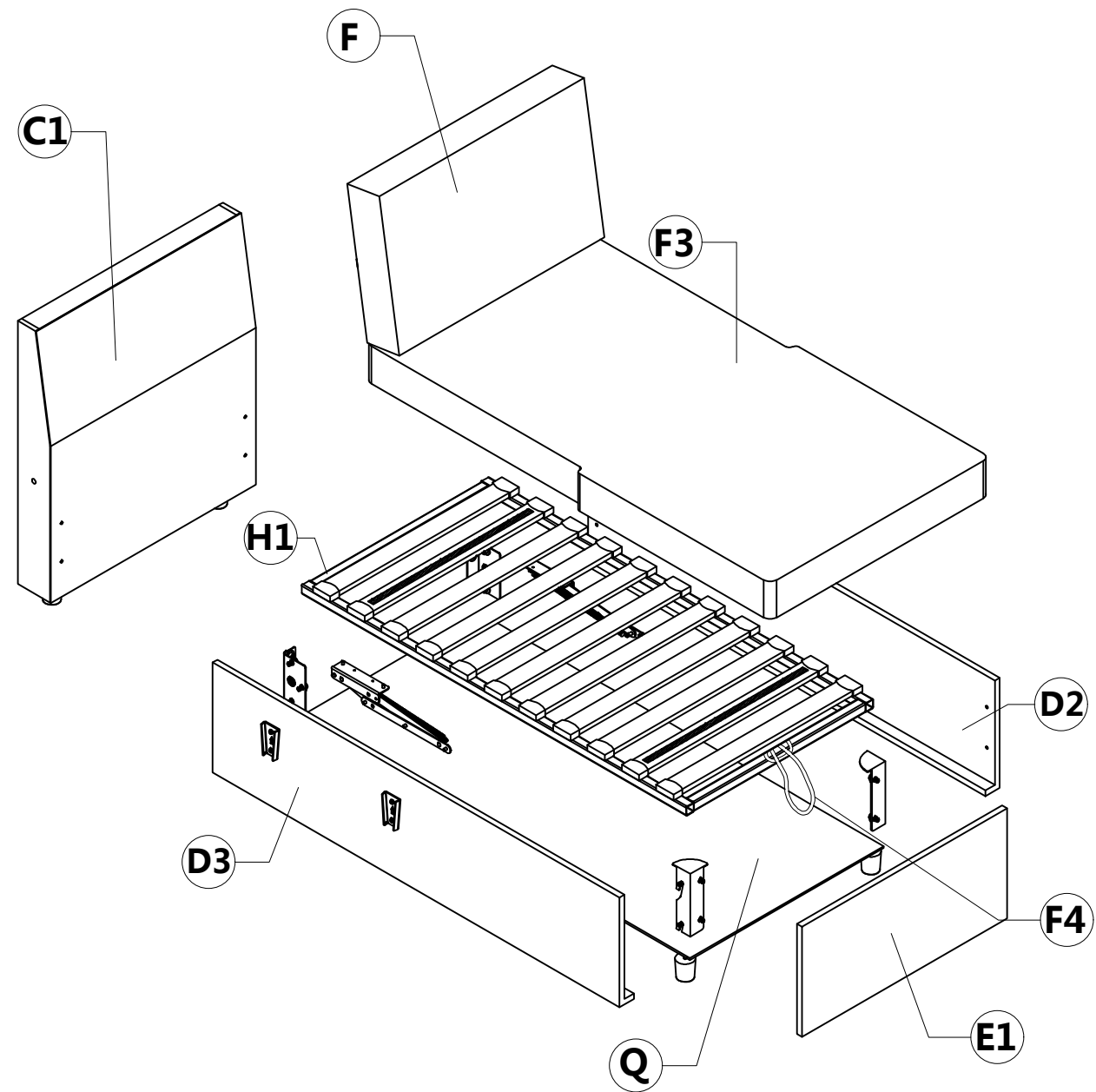
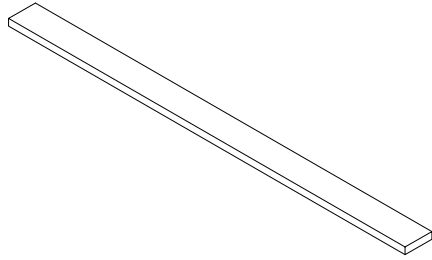


# CHAISE



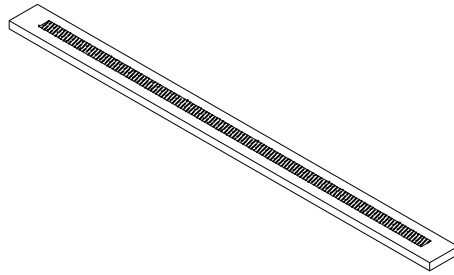
# Main Structure Accessories

**A**



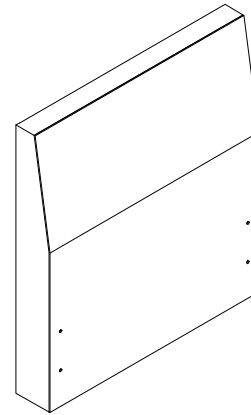
9pcs

**A1**



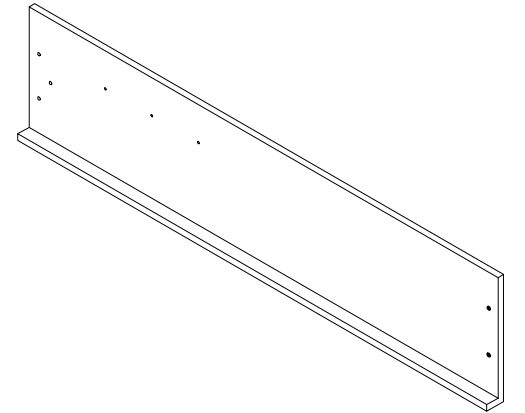
2pcs

**C1**



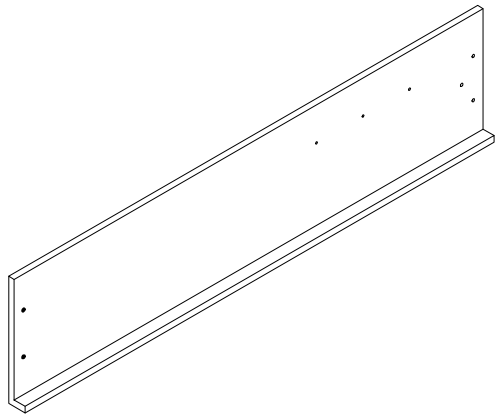
1pc

**D2**



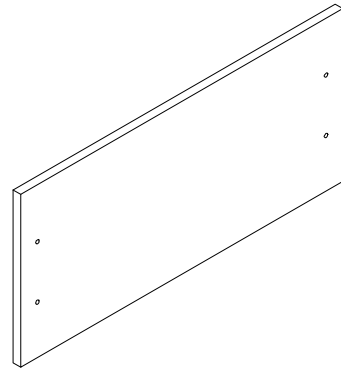
1pc

**D3**



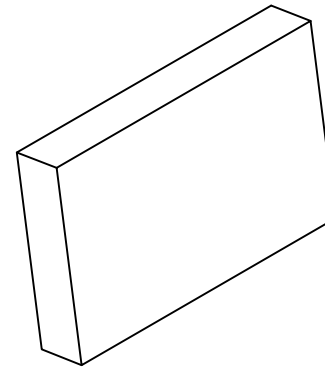
1pc

**E1**



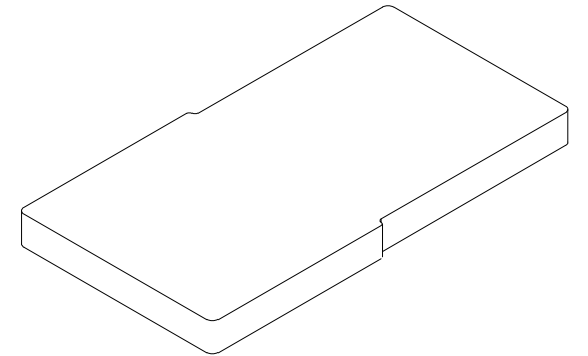
1pc

**F**



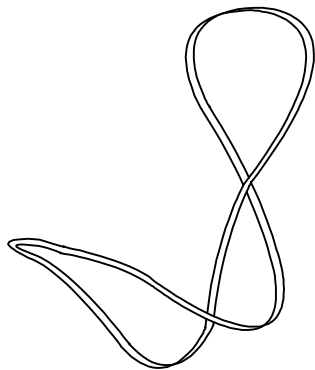
1pc

**F3**



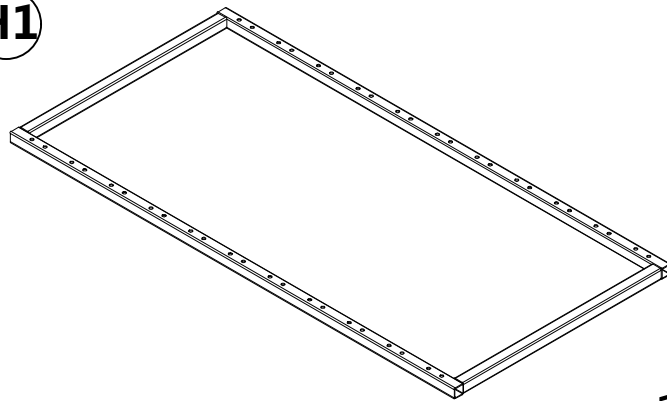
1pc

**F4**



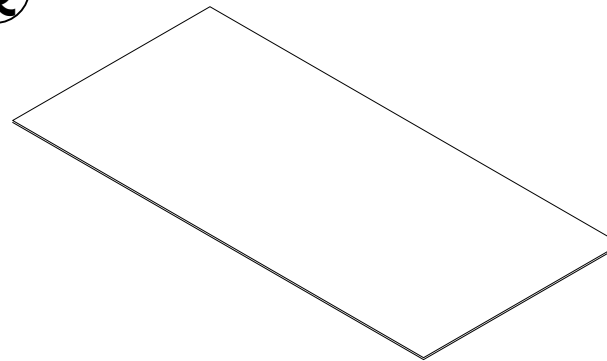
1pc

**H1**



1pc

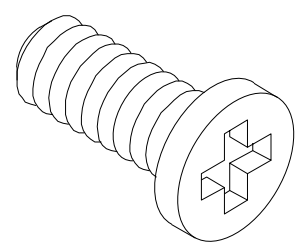
**Q**



1pc

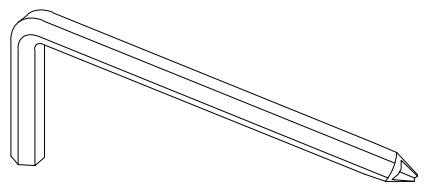
# Hardware Parts

**V**



M6X17mm 10pcs

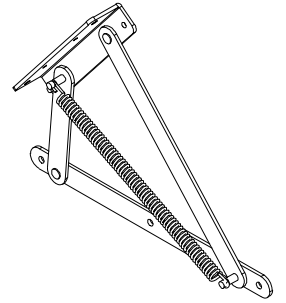
**P**



M8 Spanner 1pc

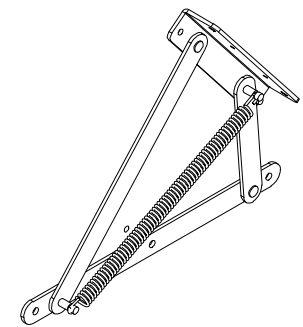
# Structural Accessories

**L**



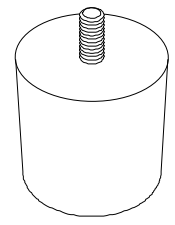
1pc

**L1**



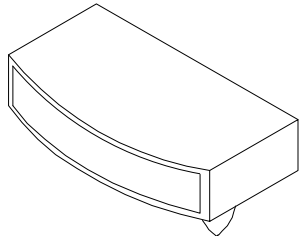
1pc

**M**



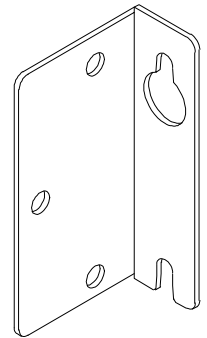
4pcs

**O**



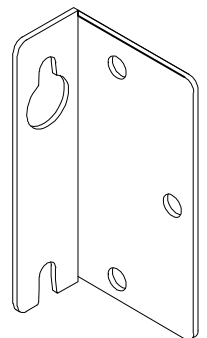
22pcs

**W**



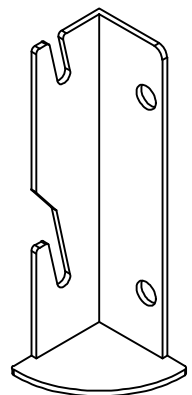
1pc

**X**



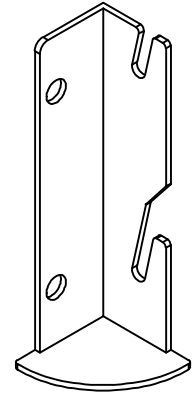
1pc

**W1**



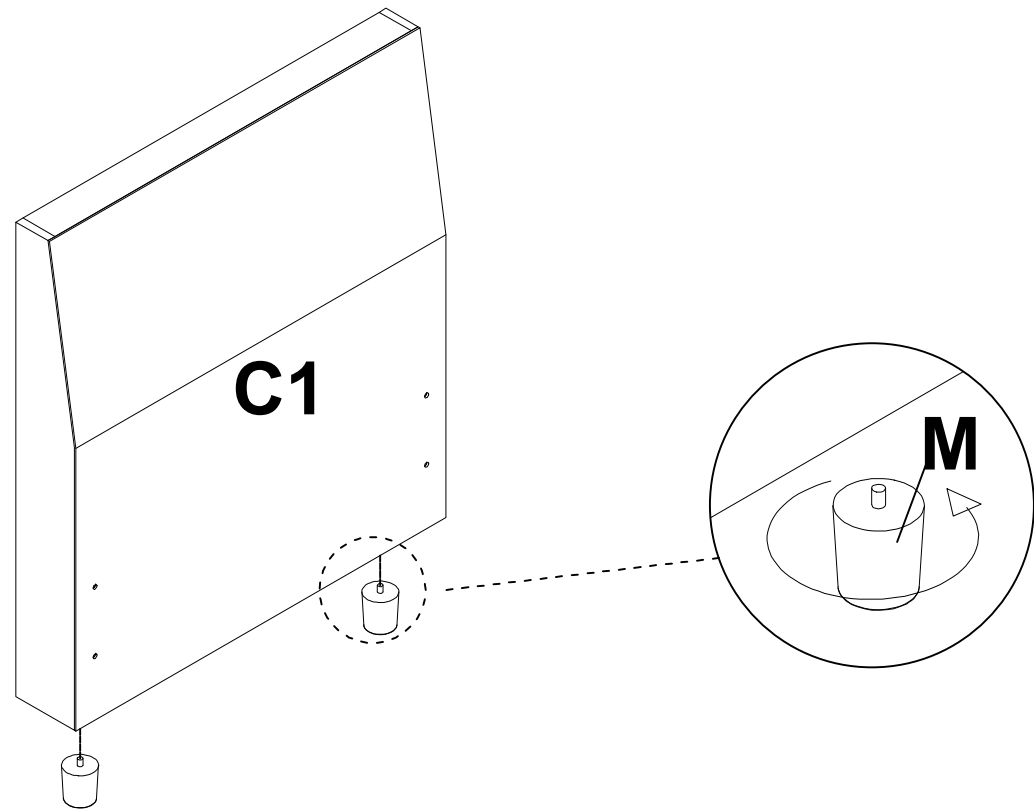
1pc

**X1**



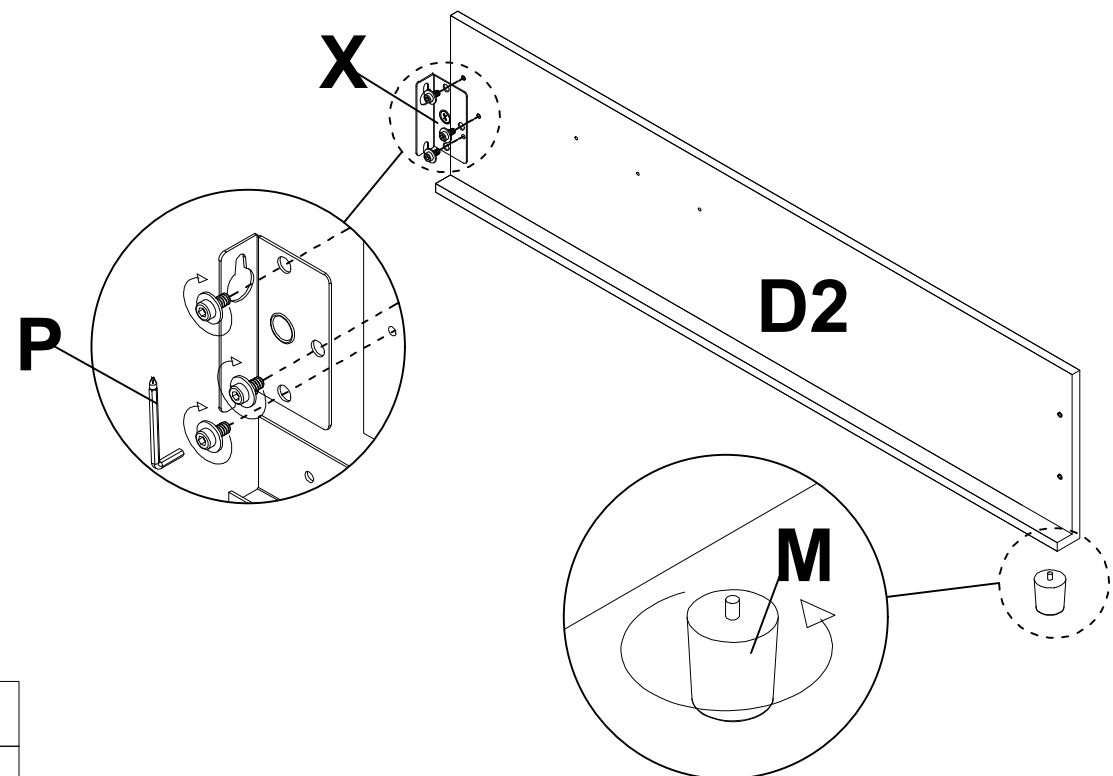
1pc

# STEP 1



# STEP 2

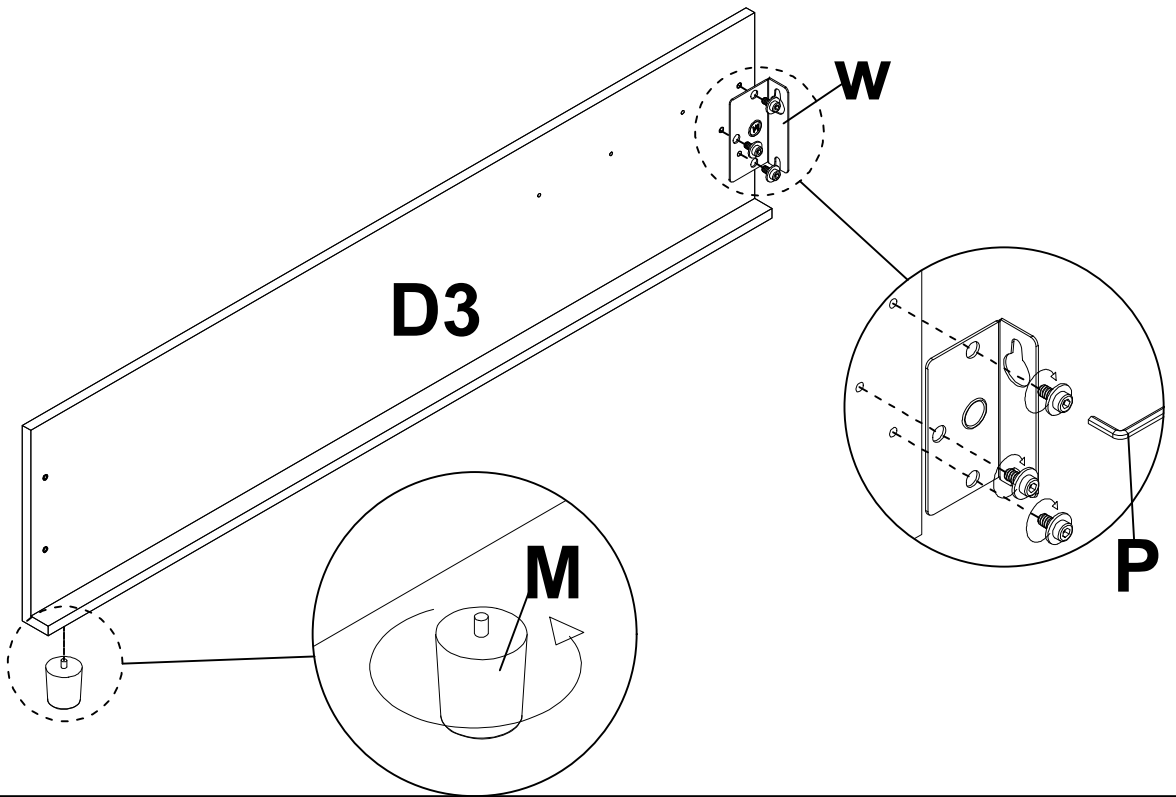
First loosen the screws ,then install the bracket, locken the screws later



	X x 1pc
	P x 1pc

# STEP 3

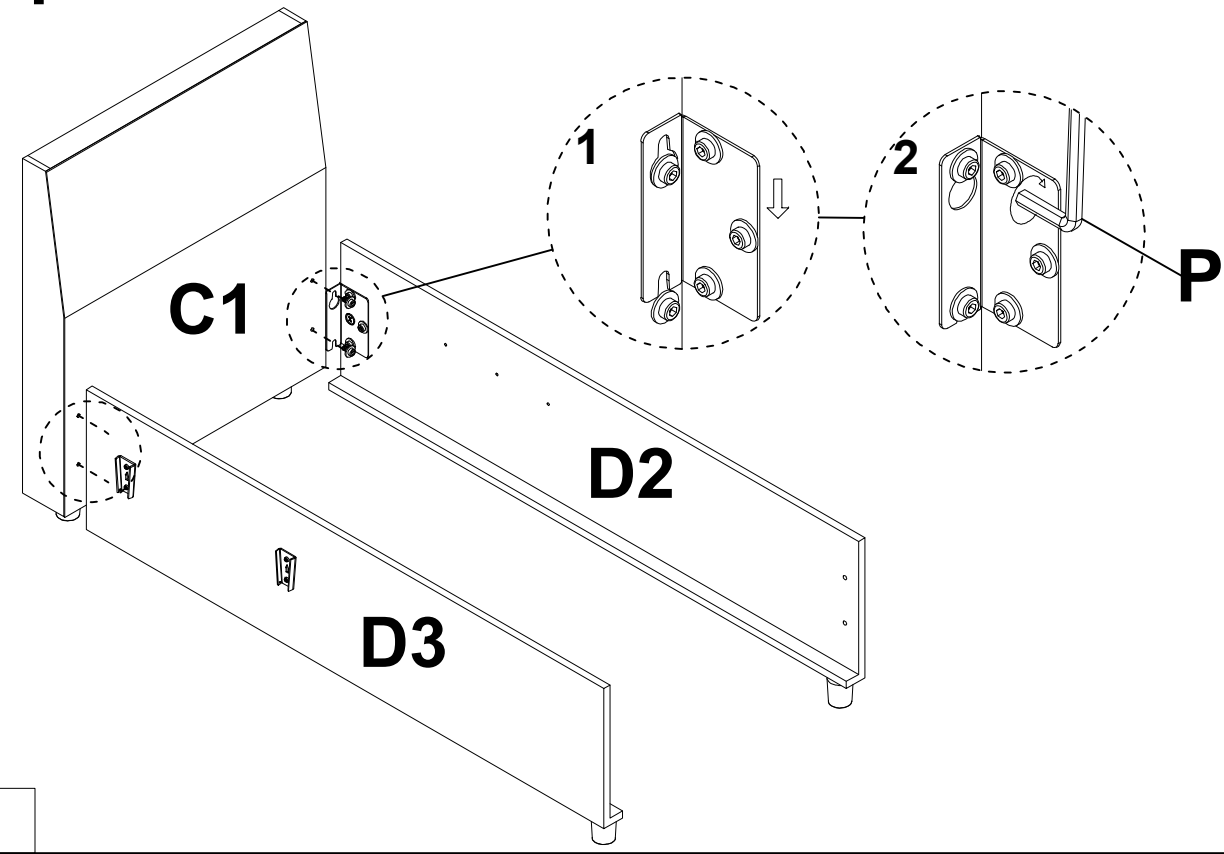
First loosen the screws ,then install the bracket, locken the screws later



	W x 1pc
	P x 1pc

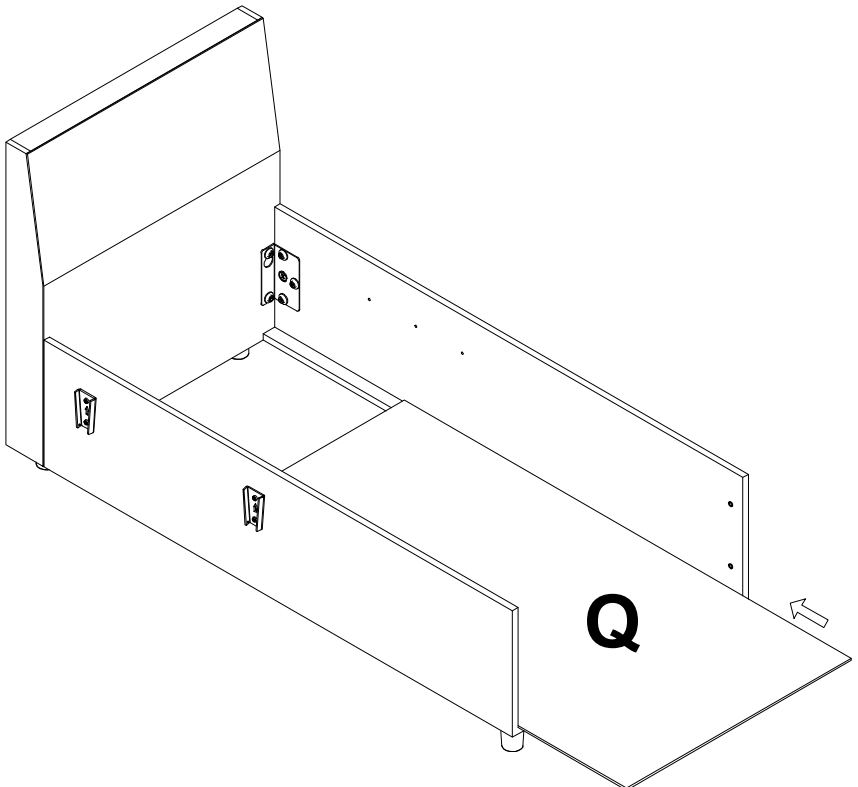
# STEP 4

First loosen the screws, install the mounting plate and lock the screws

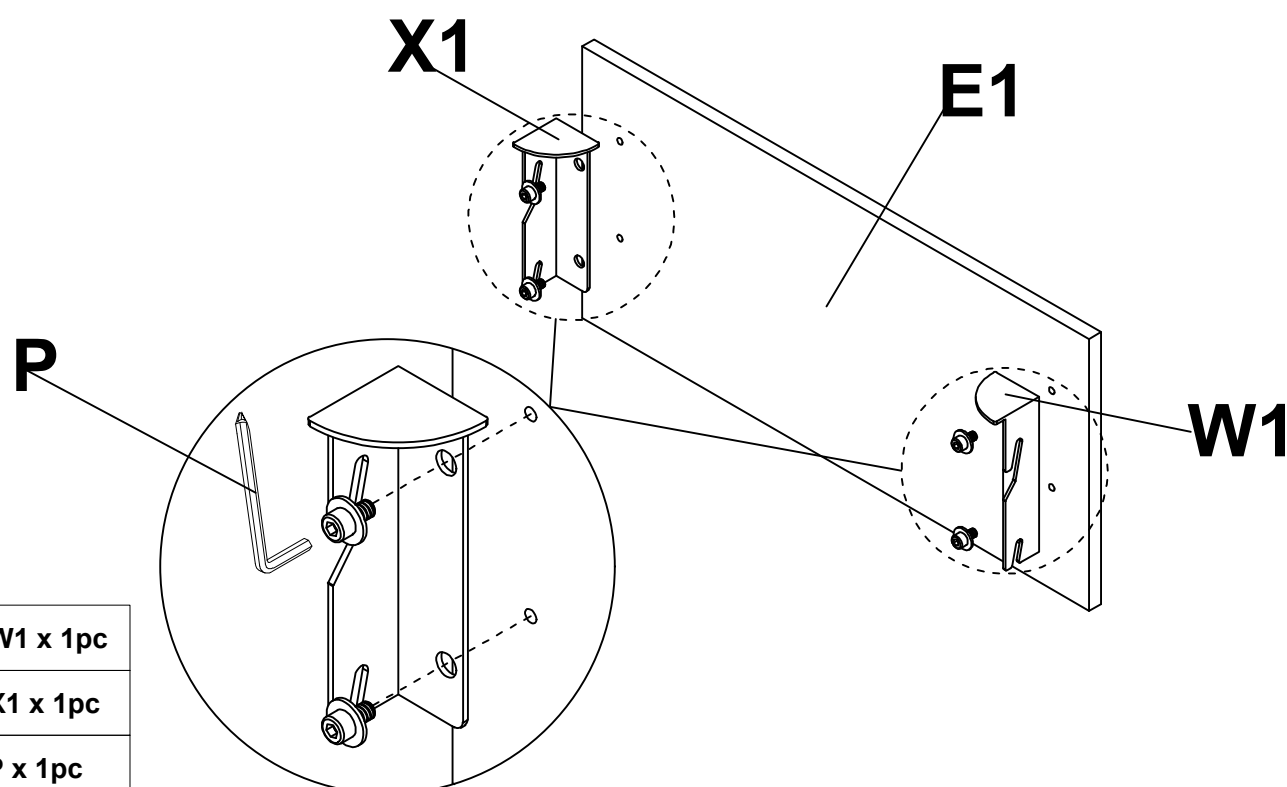


	P x 1pc
--	---------

# STEP 5

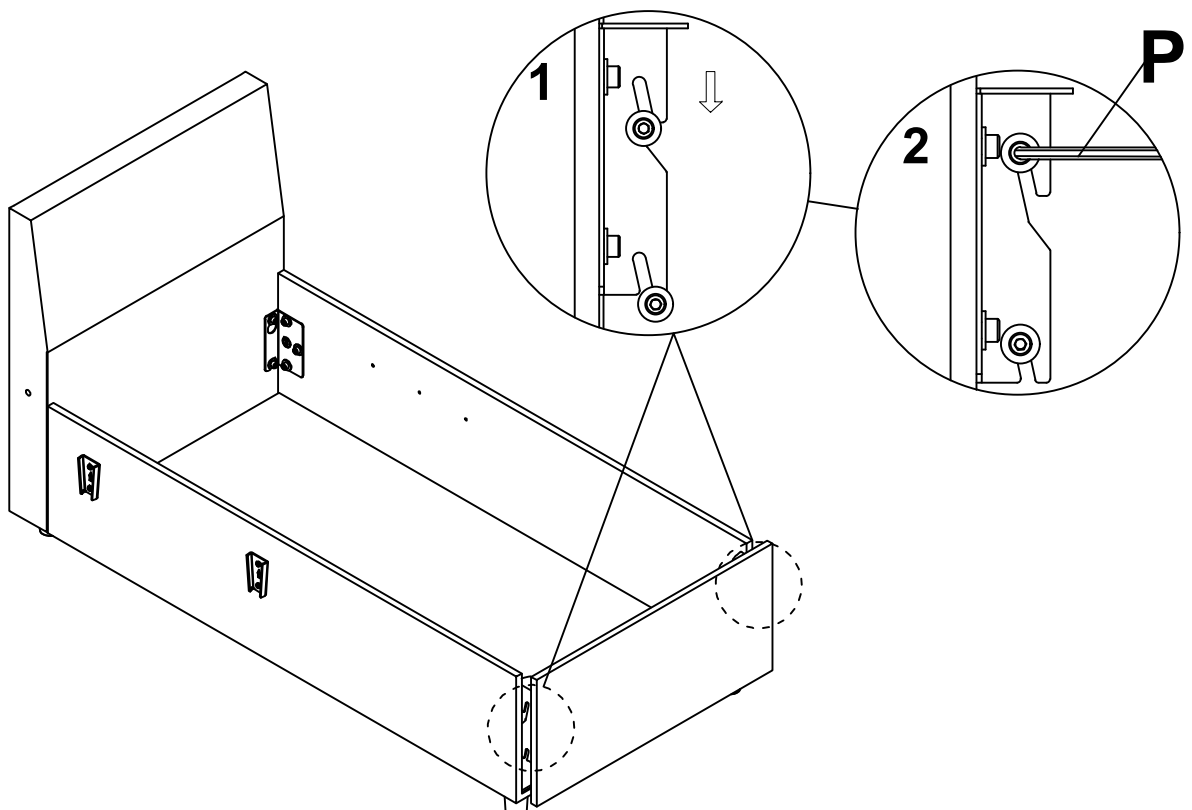


# STEP 6



	W1 x 1pc
	X1 x 1pc
	P x 1pc

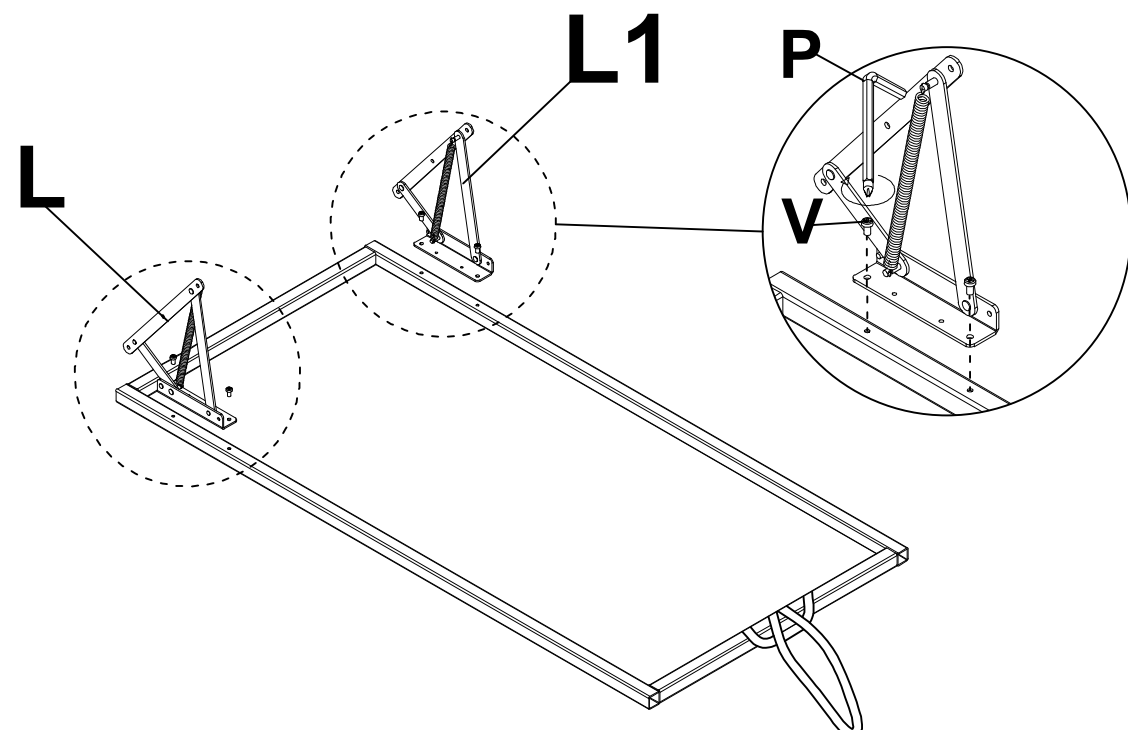
# STEP 7



	P x 1pc
--	---------

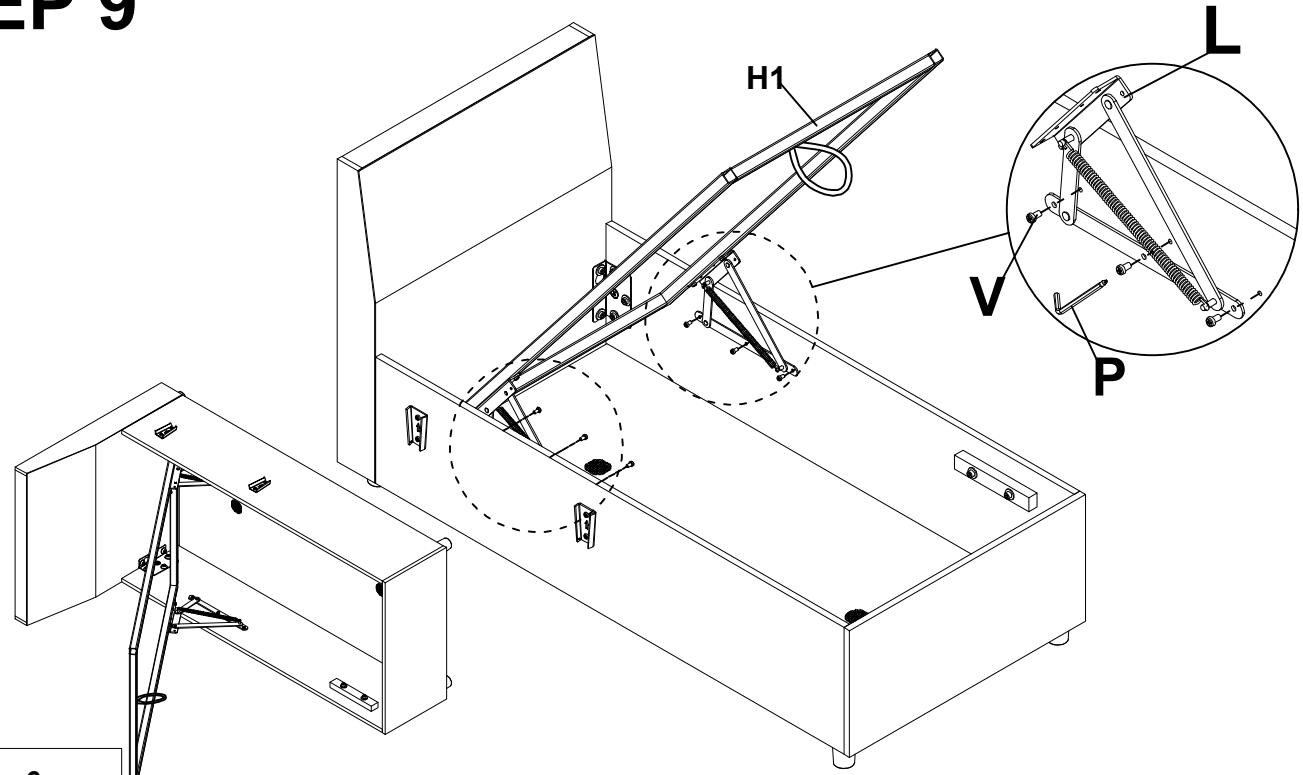
# STEP 8


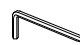
Note that accessories distinguish left and right, after installation and lock the screws



	V x 4pcs
	P x 1pc

# STEP 9

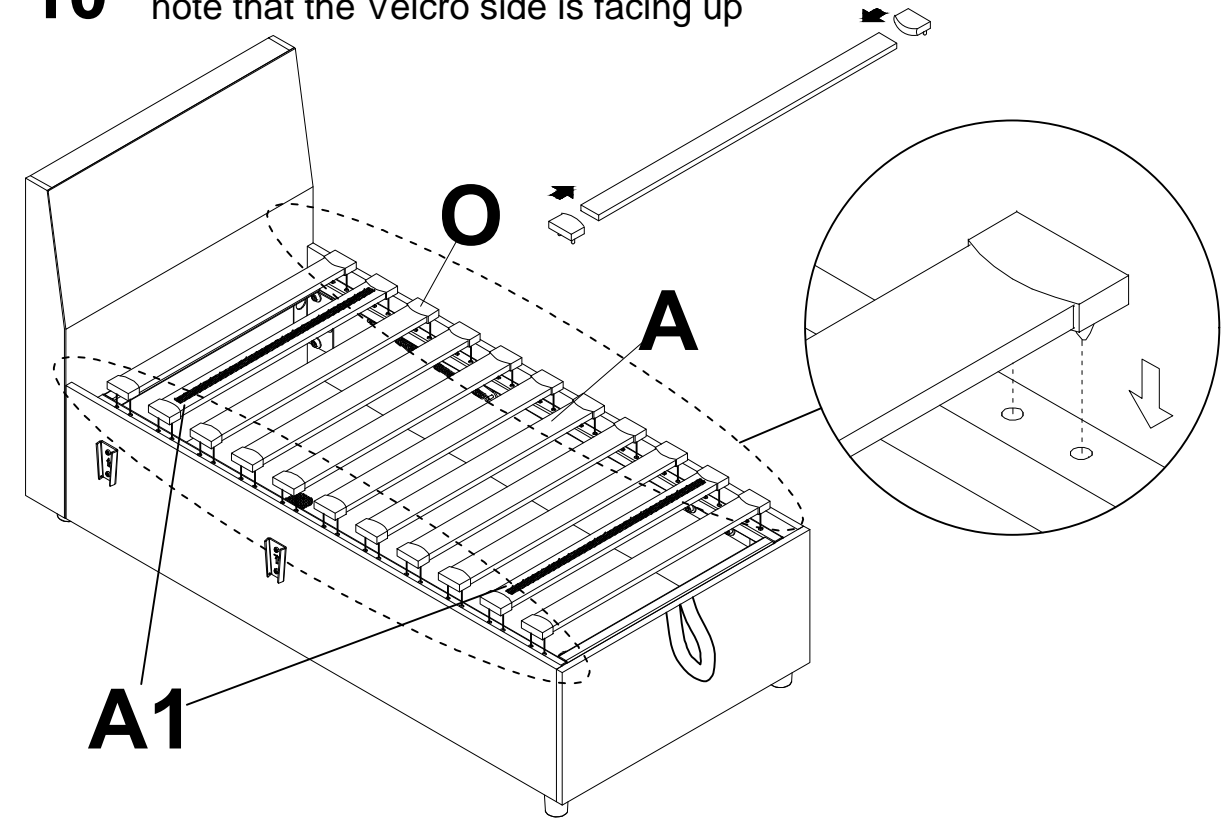


-  V x 6pcs
-  P x 1pc

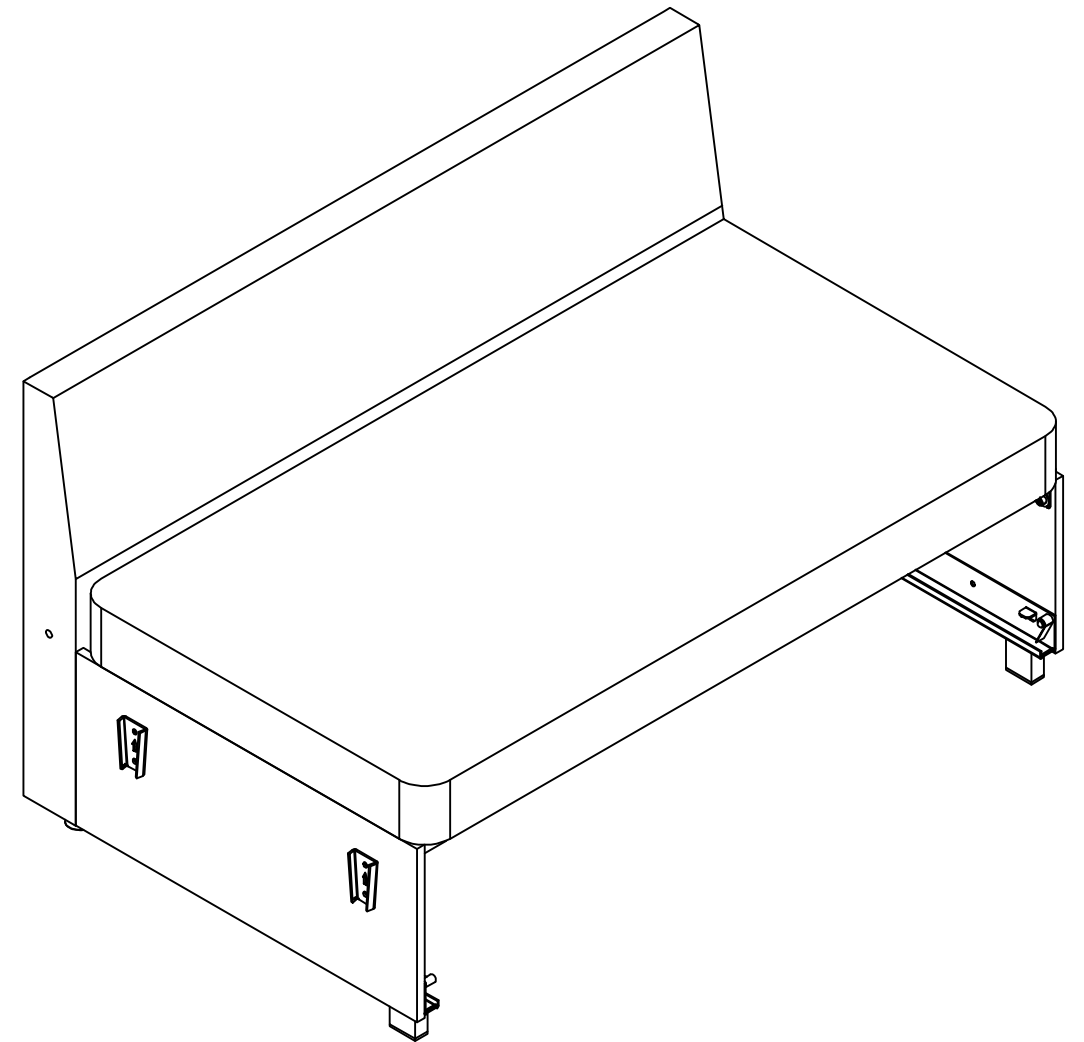
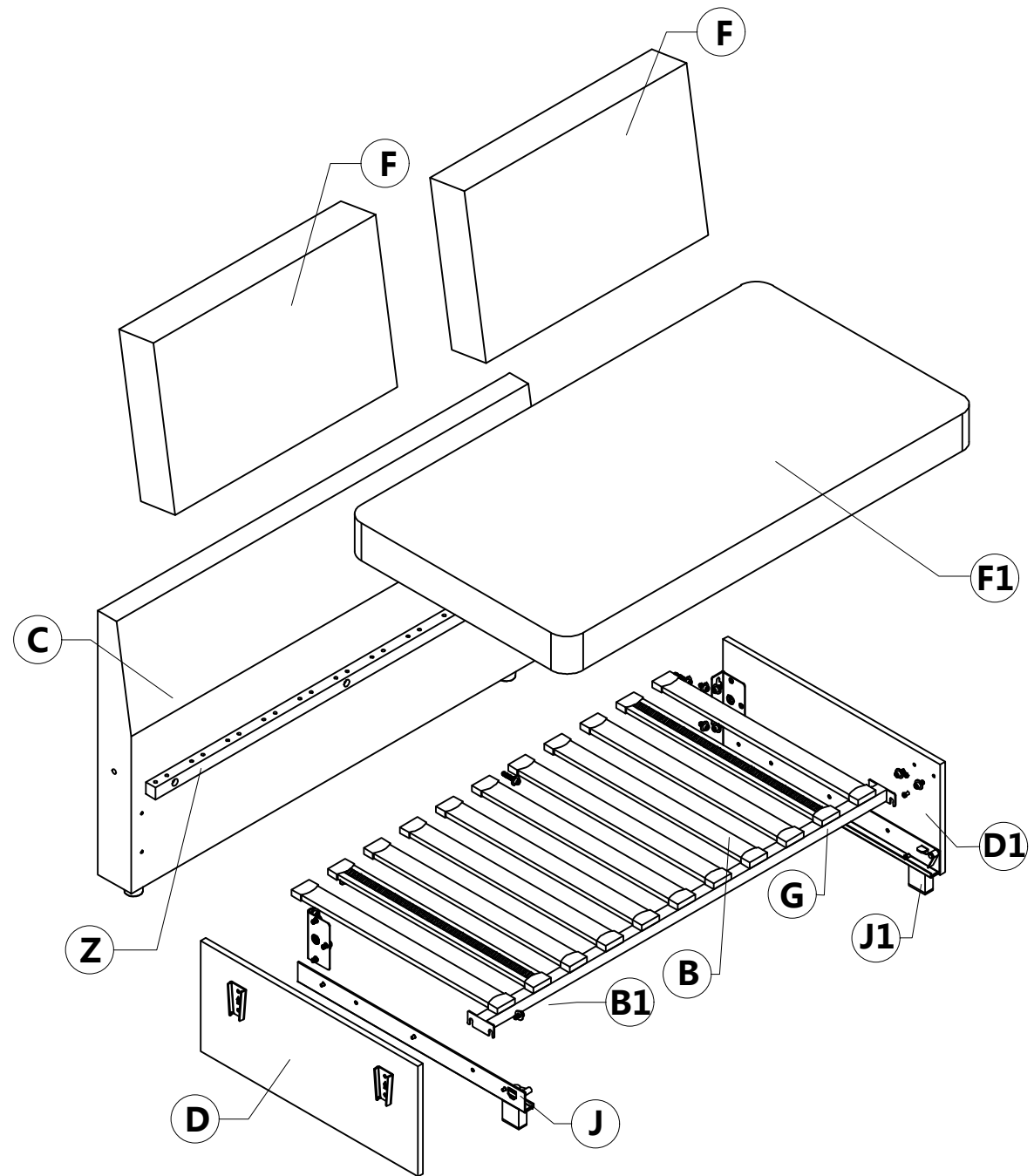
Note: Easier to install when tilted

# STEP 10

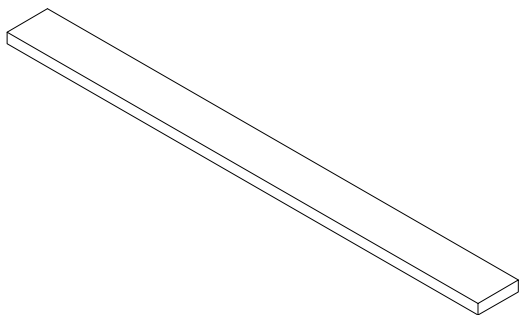
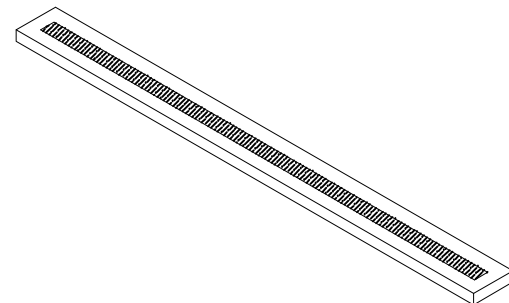
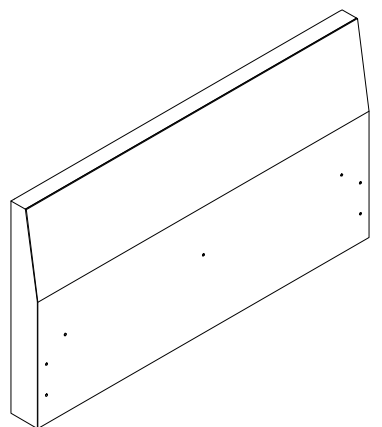
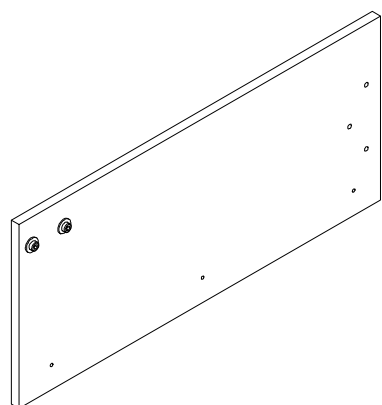
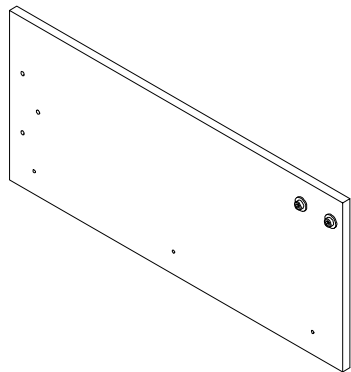
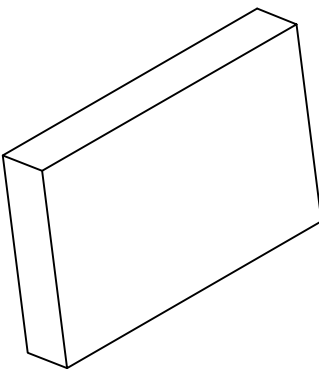
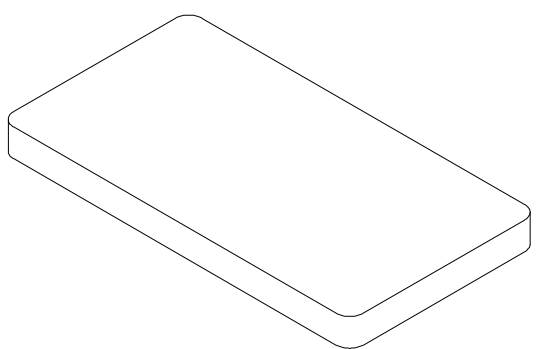
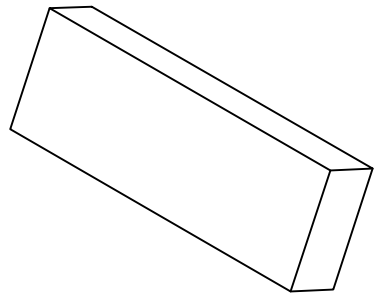
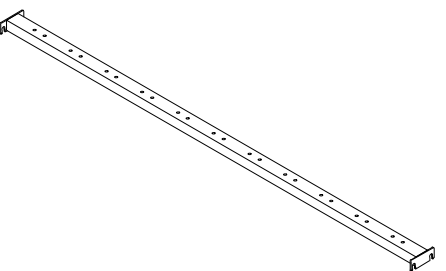
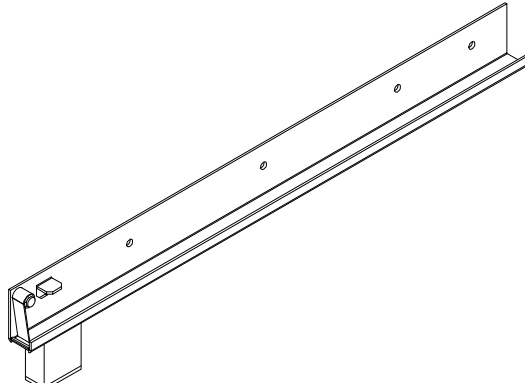
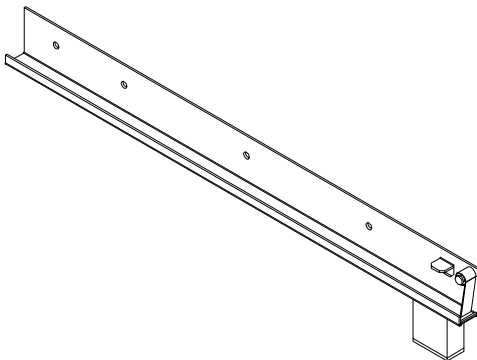
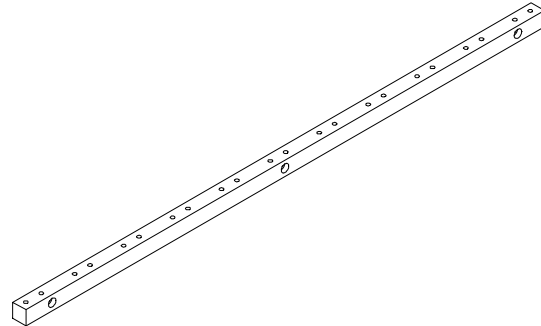
Place the A1 in the second position and note that the Velcro side is facing up



# TWO SEATS

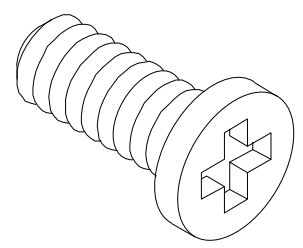


# Main Structure Accessories

<p><b>B</b></p>  <p>9pcs</p>	<p><b>B1</b></p>  <p>2pcs</p>	<p><b>C</b></p>  <p>1pc</p>	<p><b>D</b></p>  <p>1pc</p>
<p><b>D1</b></p>  <p>1pc</p>	<p><b>F</b></p>  <p>2pcs</p>	<p><b>F1</b></p>  <p>1pc</p>	<p><b>F5</b></p>  <p>1pc</p>
<p><b>G</b></p>  <p>1pc</p>	<p><b>J</b></p>  <p>1pc</p>	<p><b>J1</b></p>  <p>1pc</p>	<p><b>Z</b></p>  <p>1pc</p>

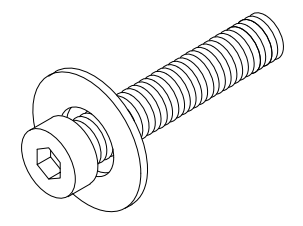
# Hardware Parts

**V**



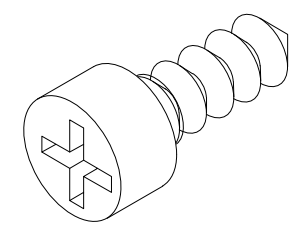
M6X17mm 6pcs

**N**



M8X30mm 3pcs

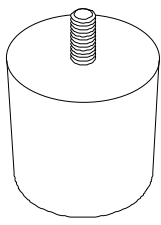
**U**



M5X14mm 4pcs

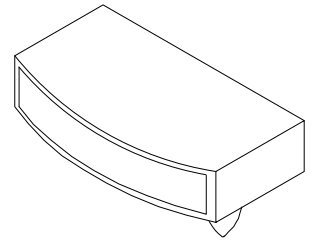
# Structural Accessories

**M**



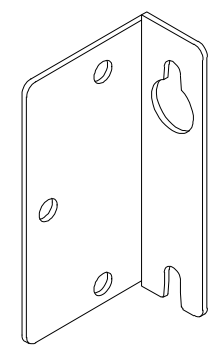
2pcs

**O**



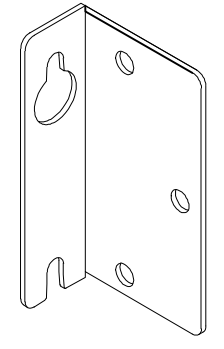
22pcs

**W**



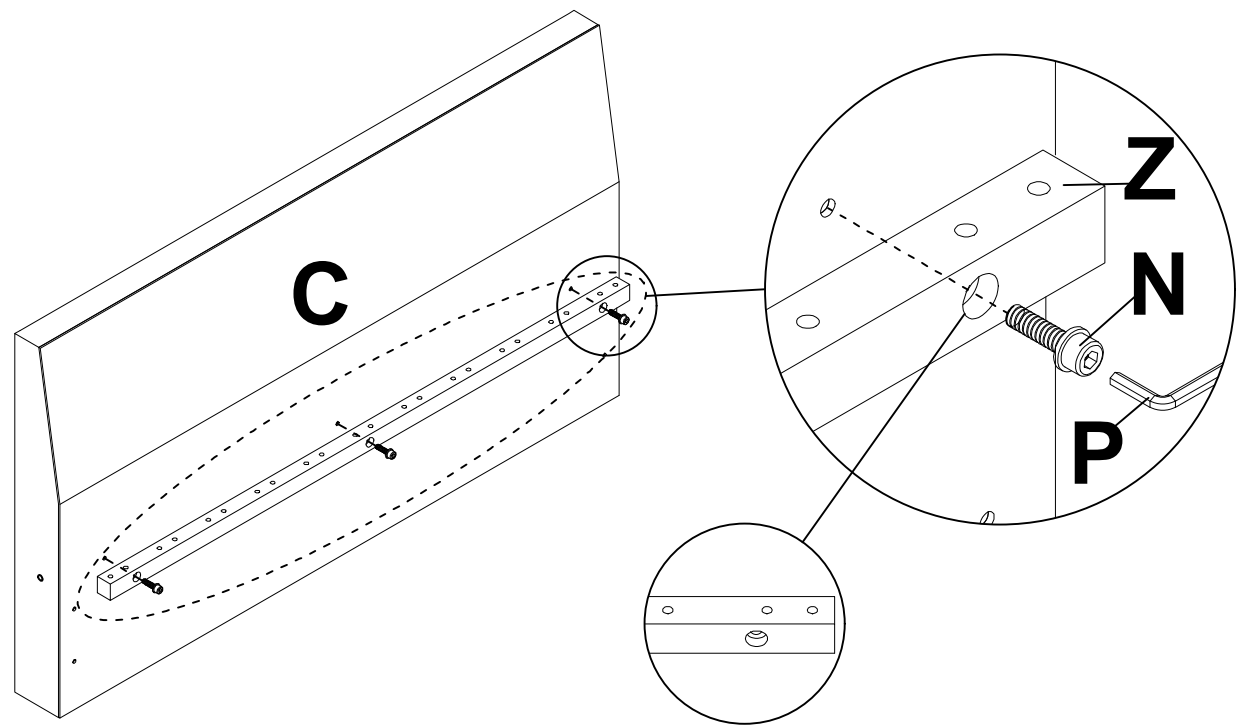
1pc


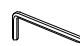
**X**



1pc

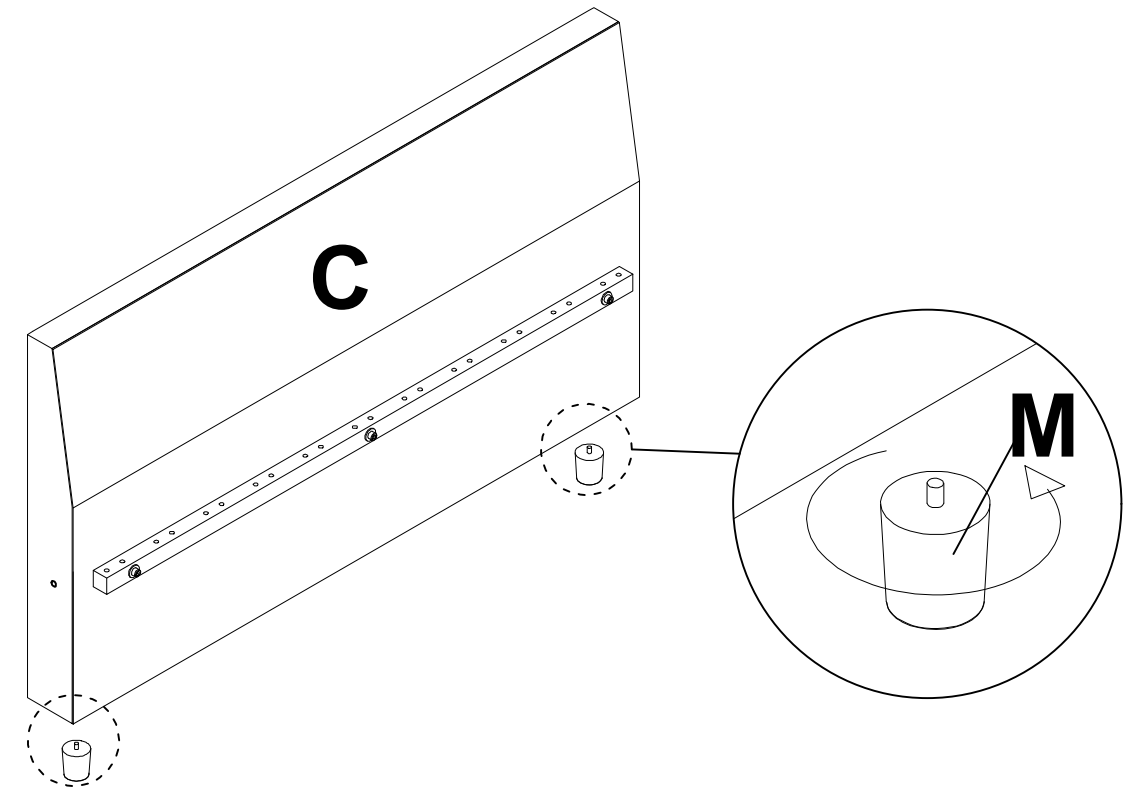
# STEP 1



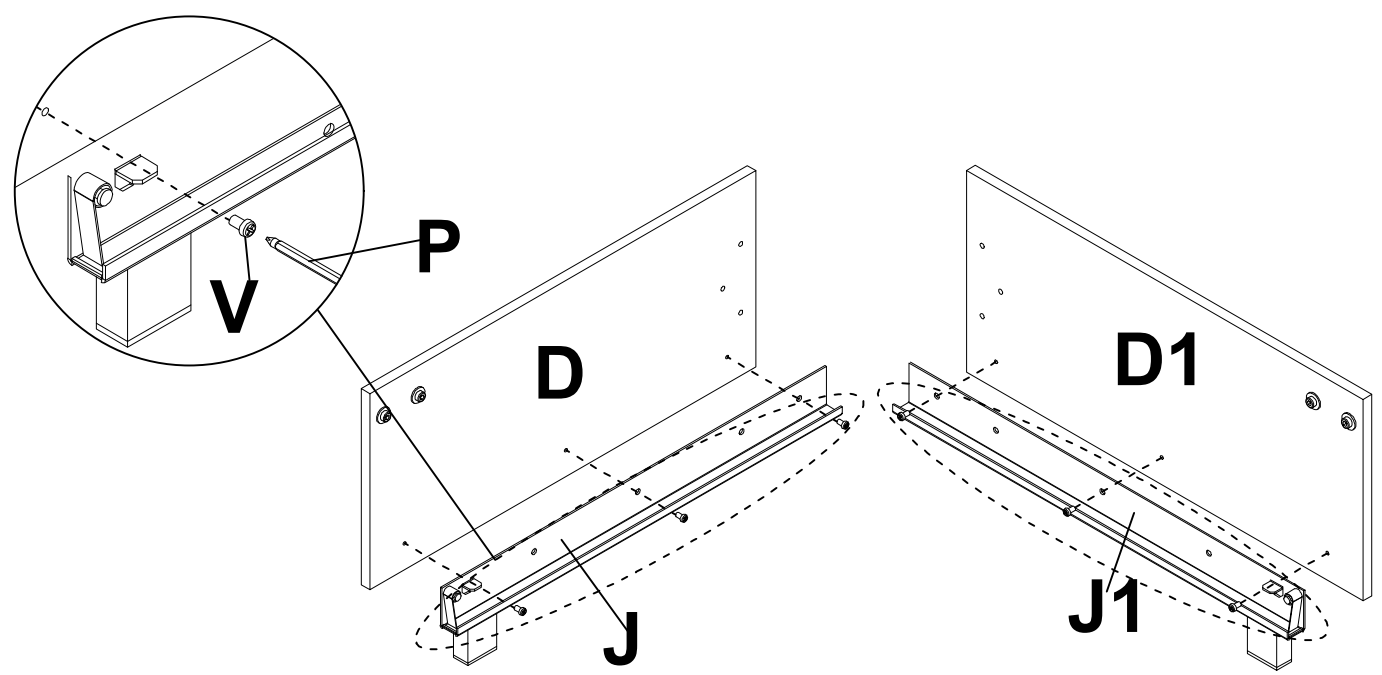
-  **N x 3pcs**
-  **P x 1pc**



Note that the hole of the buckle faces upward and the countersunk hole faces outward

# STEP 2



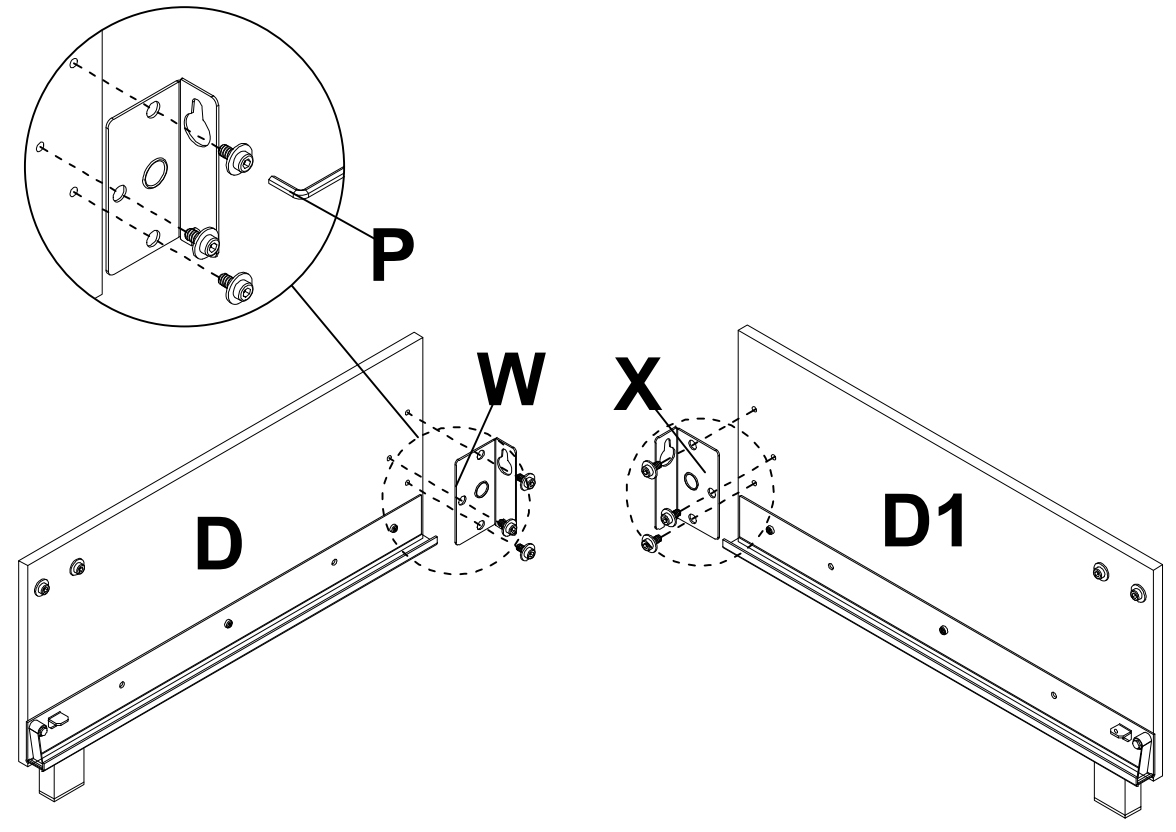
# STEP 3


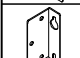
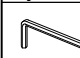


-  **V x 6pcs**
-  **P x 1pc**

# STEP 4

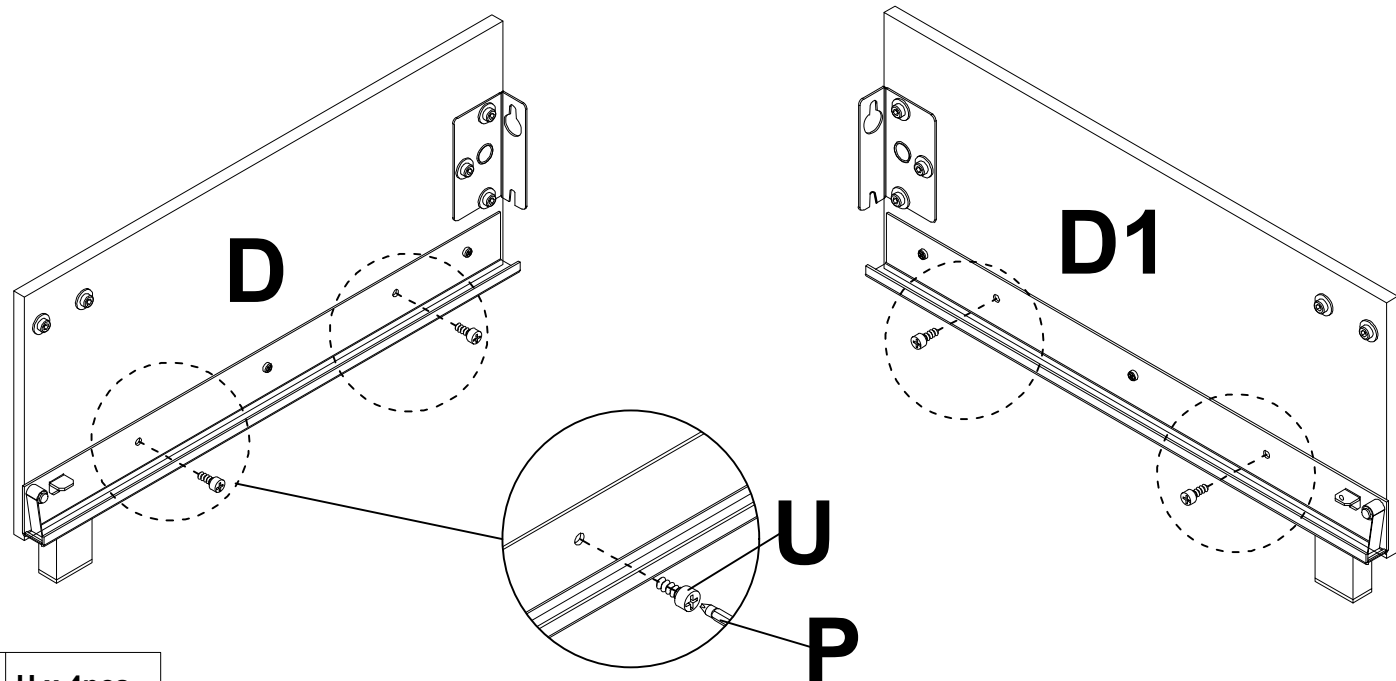
Loosen the screws properly first for better engagement.

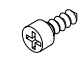



-  **X x 1pc**
-  **W x 1pc**
-  **P x 1pc**

# STEP 5

Reinforcing lock with self-tapping screws

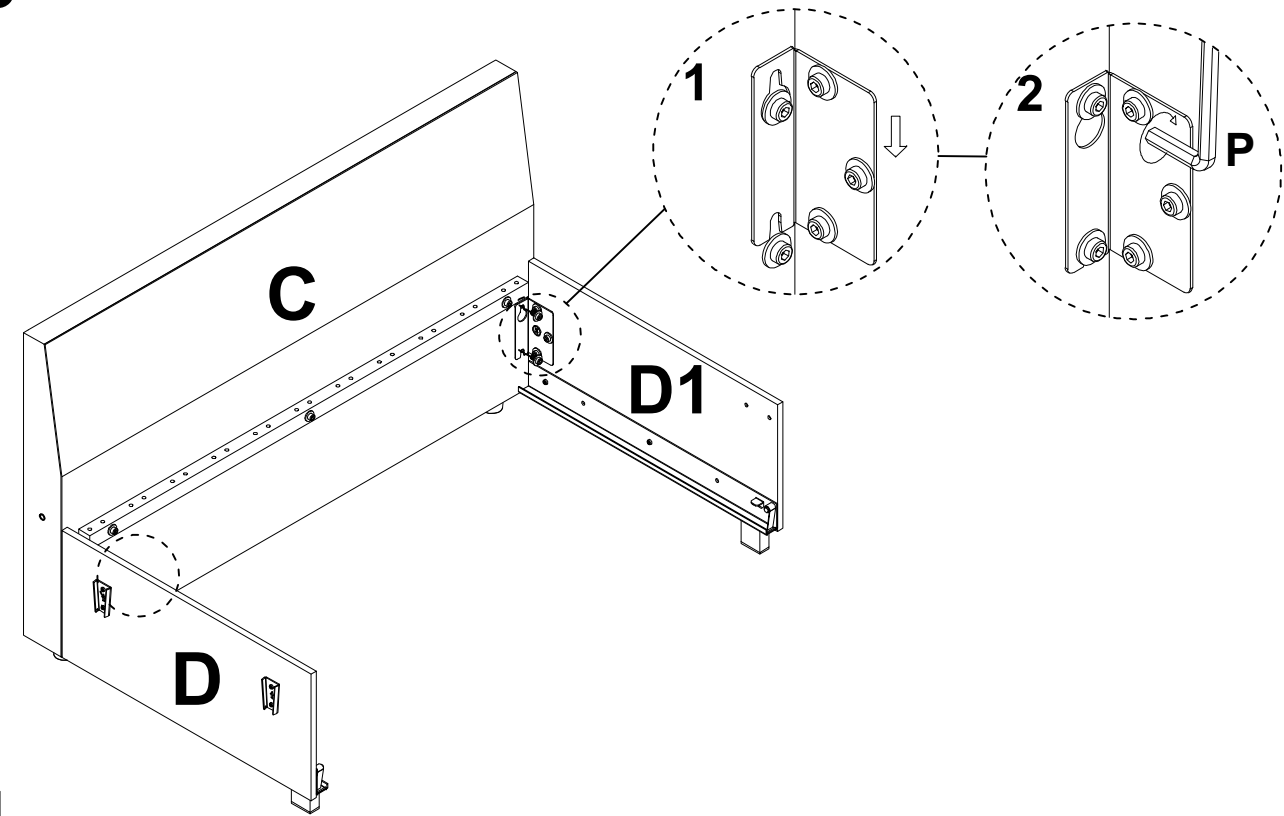


-  U x 4pcs
-  P x 1pc

Tips: Self-tapping screw is an auxiliary reinforcement function, you can choose to reinforce or not.

# STEP 6

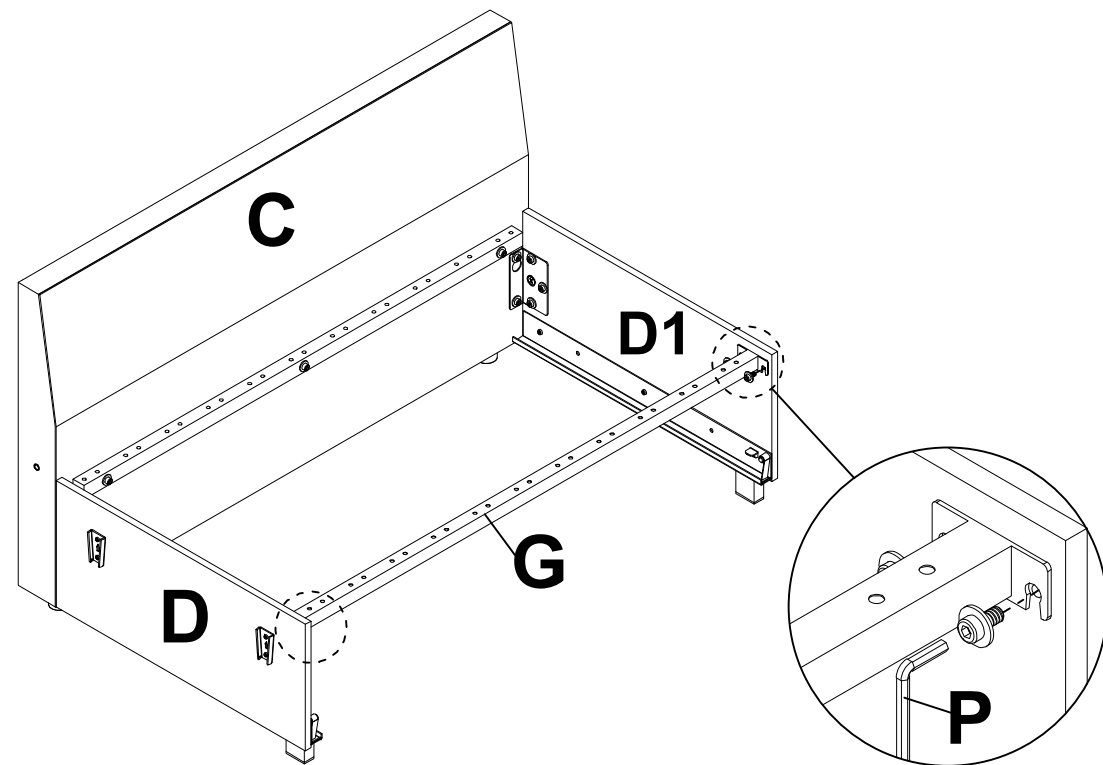
First loosen the screws, install the mounting plate and lock the screws



-  P x 1pc

# STEP 7

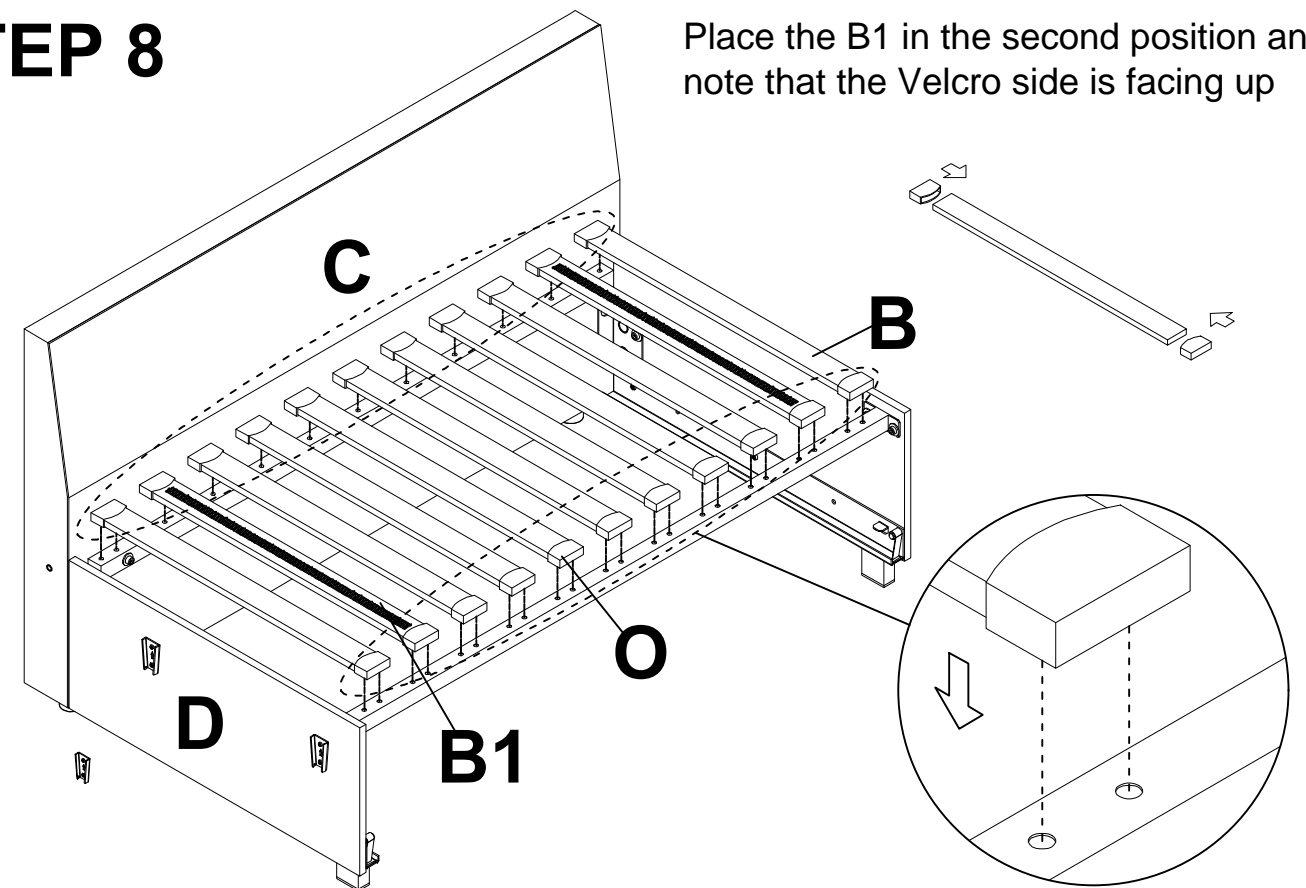
Loosen the screws properly first for better engagement.



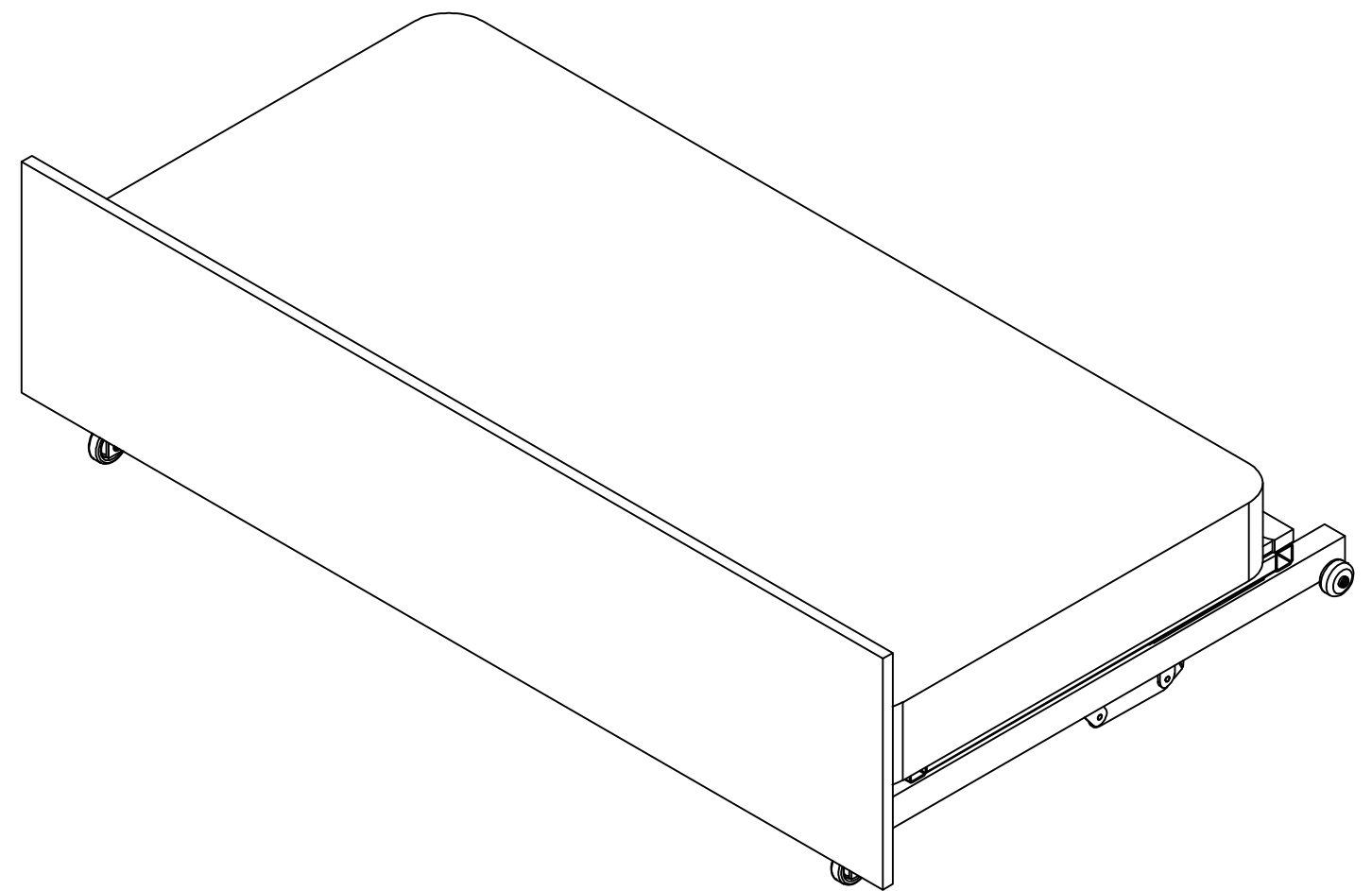
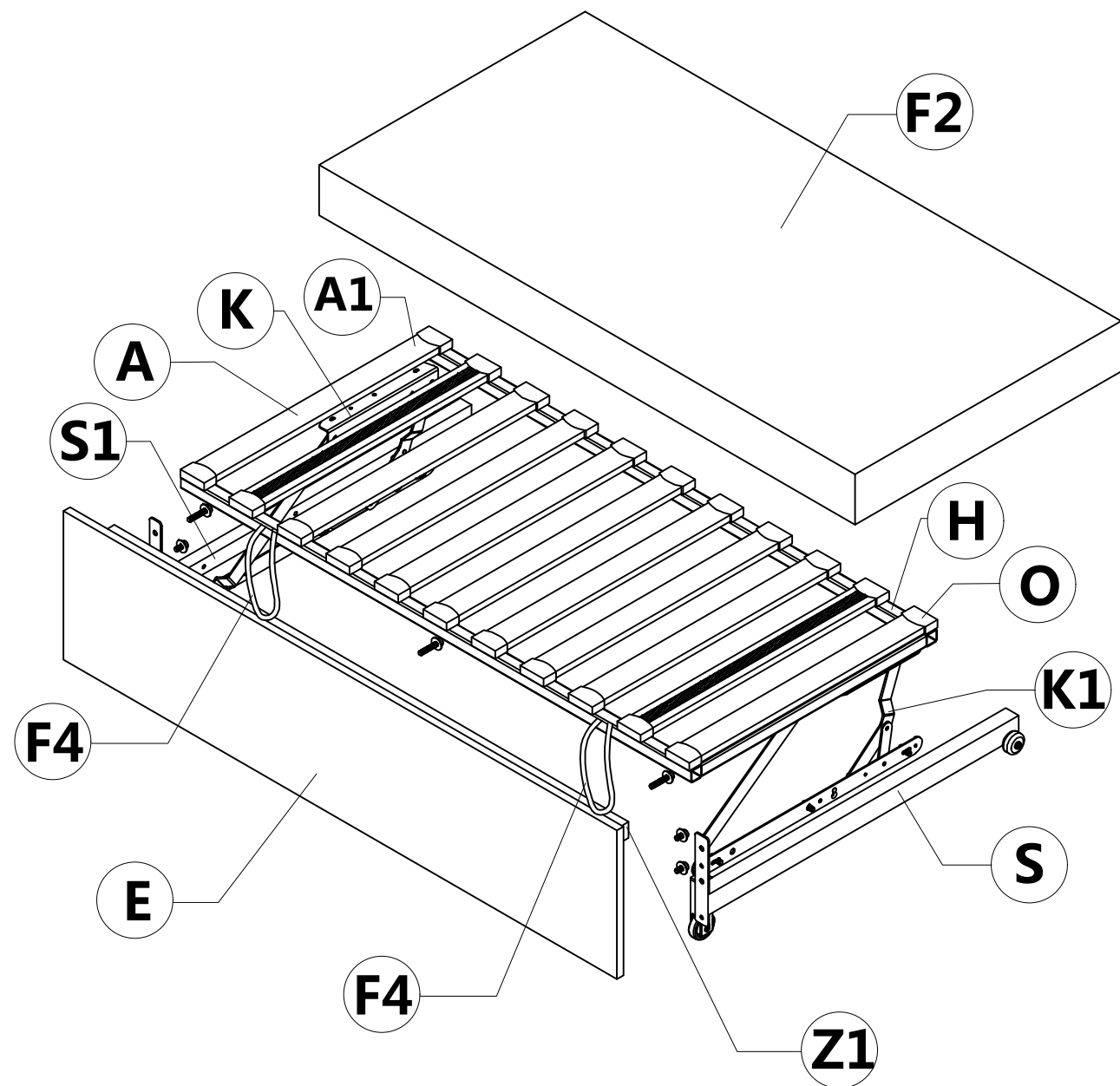
-  P x 1pc

# STEP 8

Place the B1 in the second position and note that the Velcro side is facing up

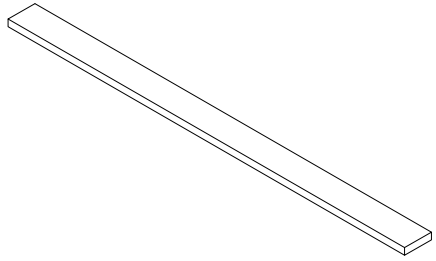


# MATTRESS



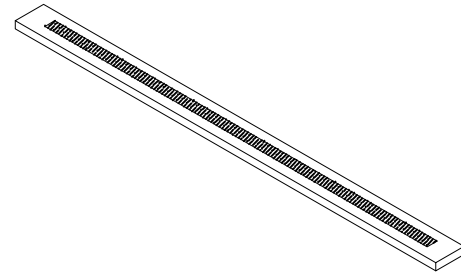
# Main Structure Accessories

**A**



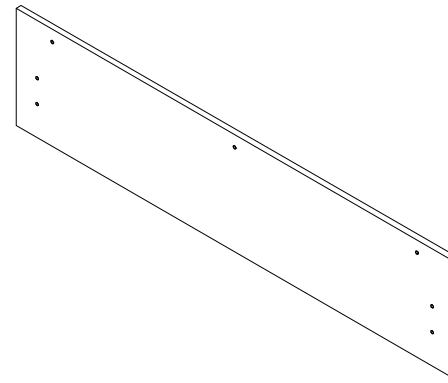
9pcs

**A1**



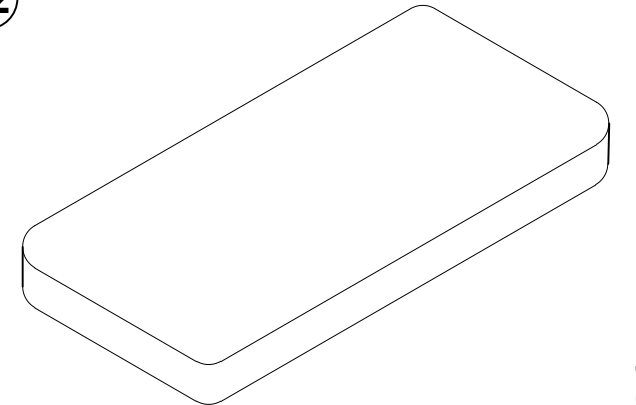
2pcs

**E**



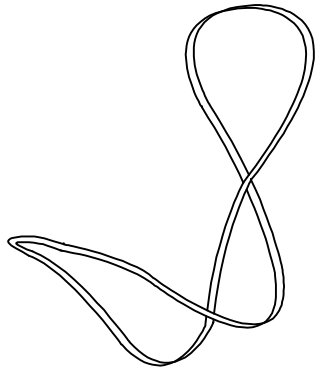
1pc

**F2**



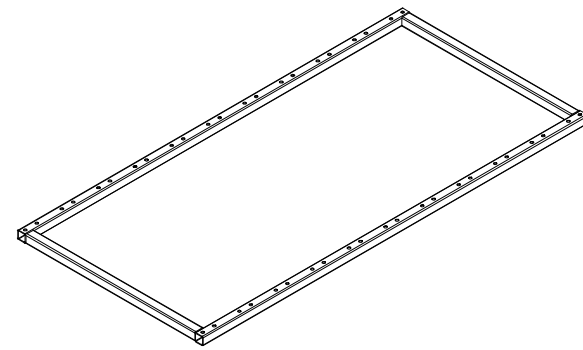
1pc

**F4**



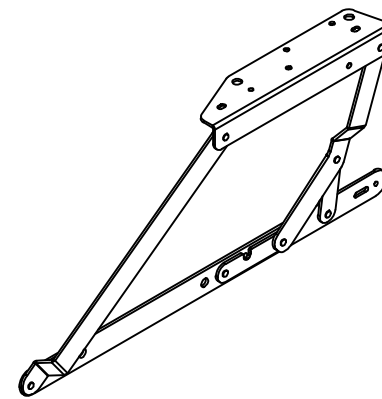
2pcs

**H**



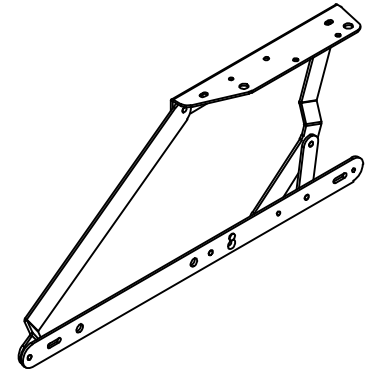
1pc

**K**



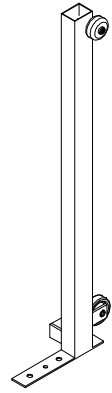
1pc

**K1**



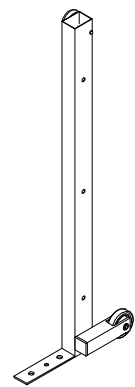
1pc

**S**



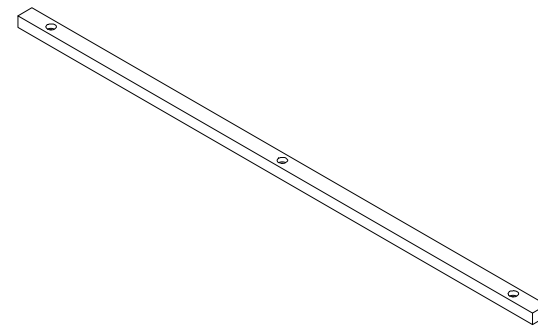
1pc

**S1**



1pc

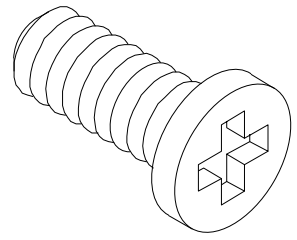
**Z1**



1pc

# Hardware Parts

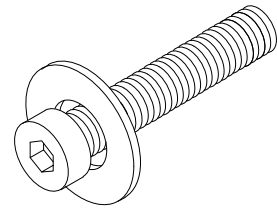
V



M6X17mm

4pcs

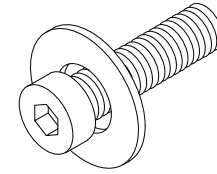
N



M8X30mm

3pcs

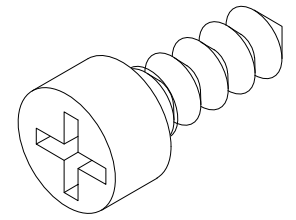
Y



M8X18mm

6pcs

U

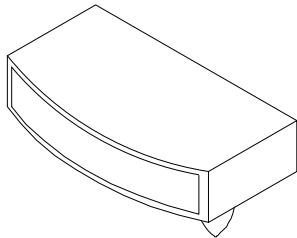


M5X14mm

4pcs

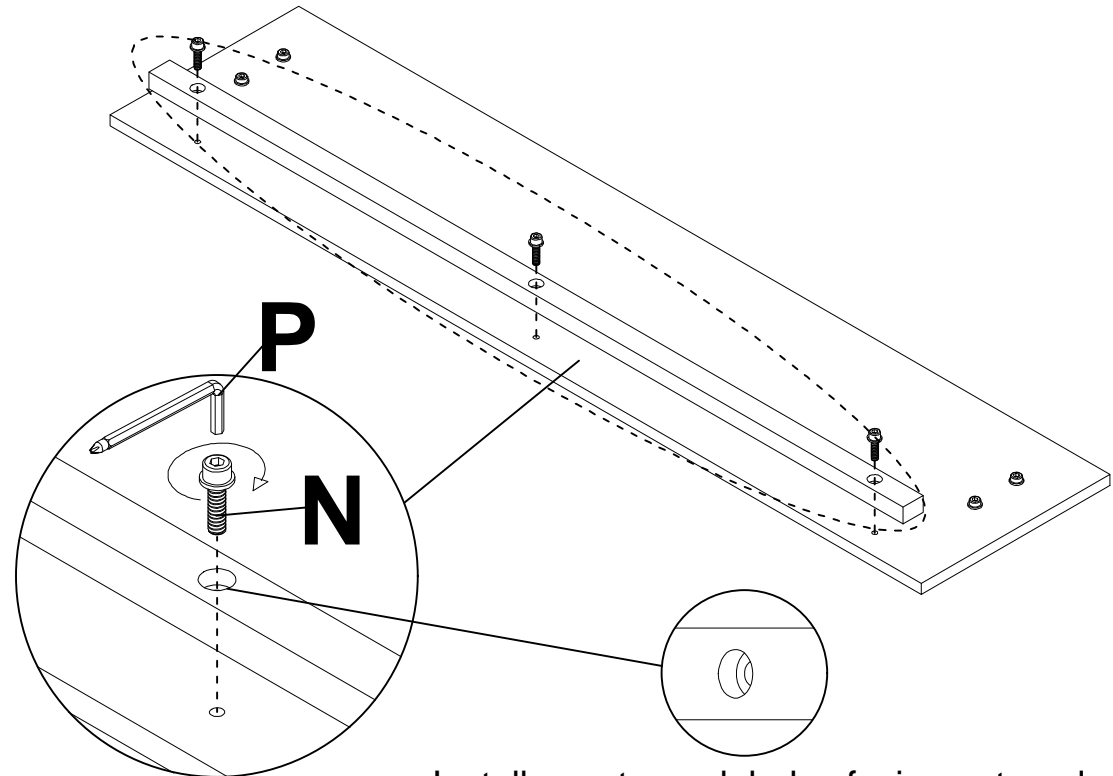
# Structural Accessories

O


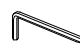


22pcs

# STEP 1

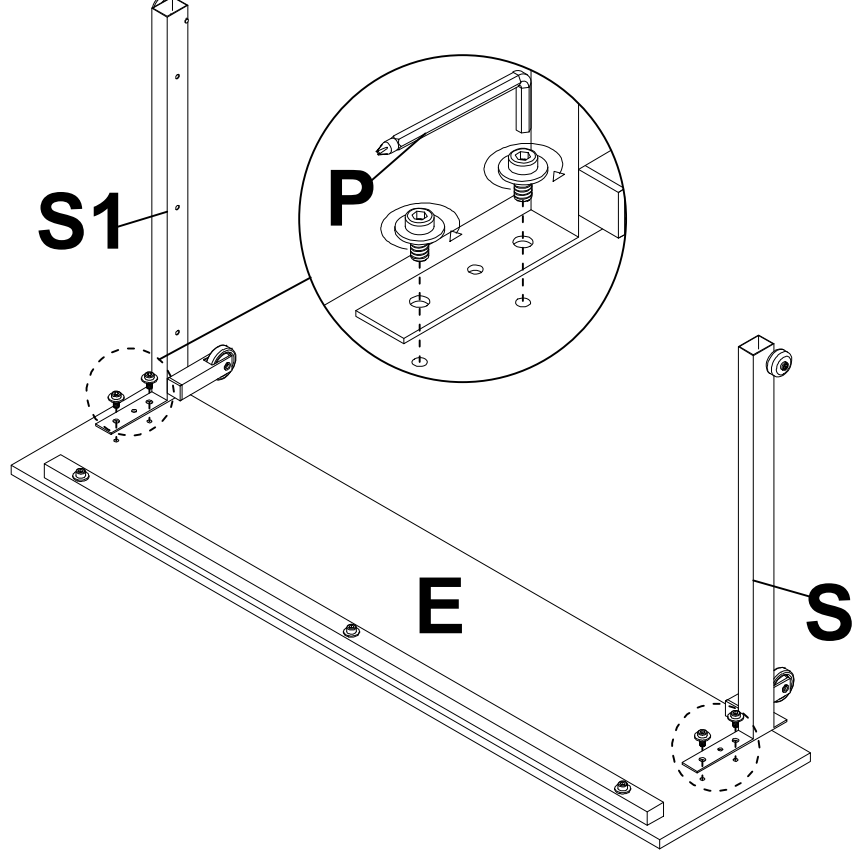


Install countersunk holes facing outward

-  N x 3pcs
-  P x 1pc

# STEP 2

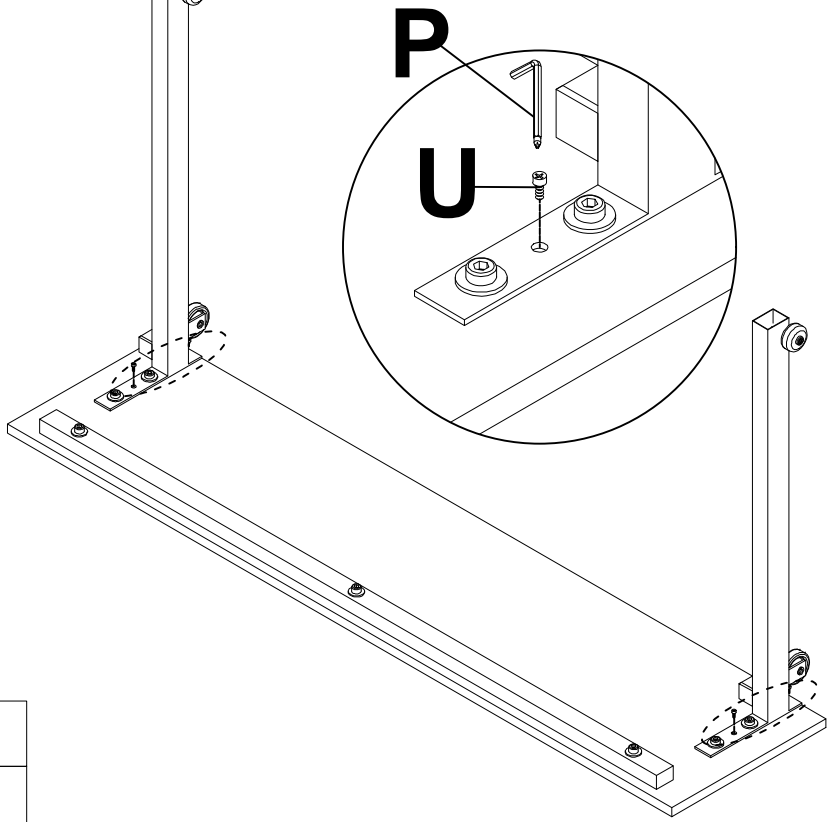
Loosen the screws properly first for better engagement.





-  P x 1pc

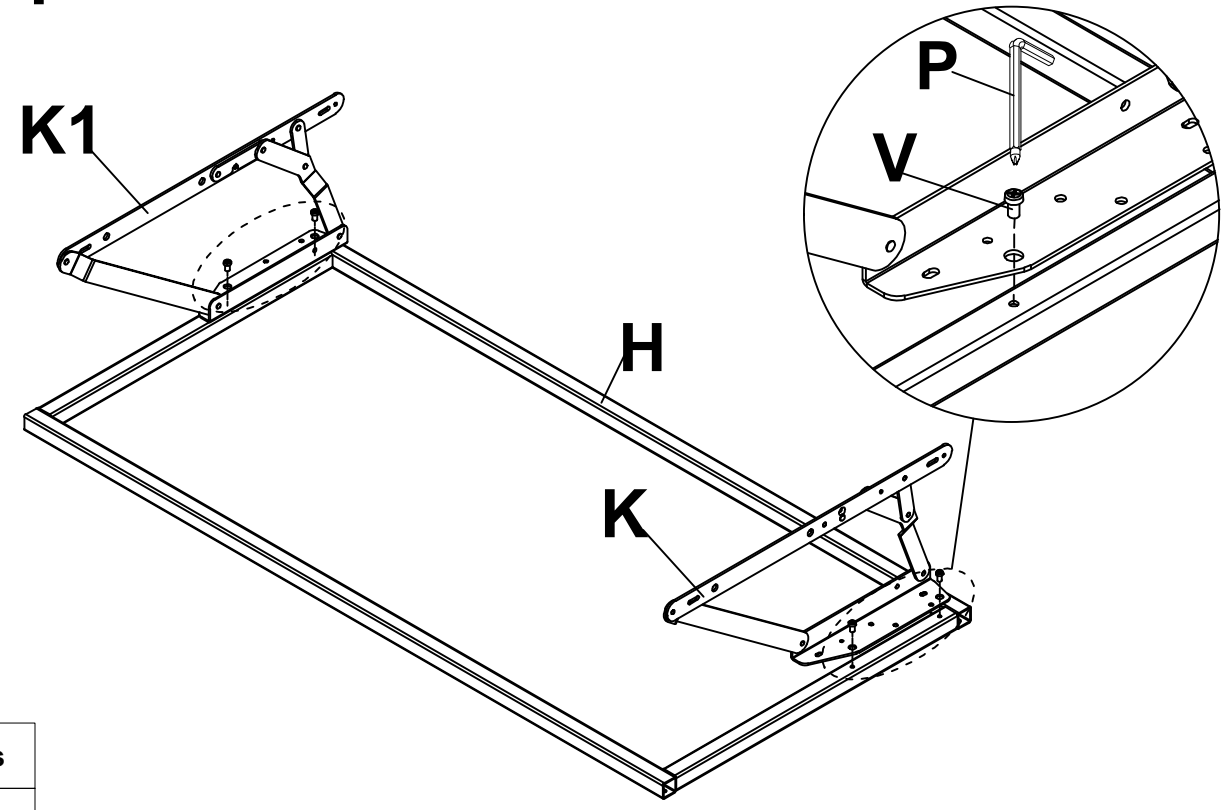
# STEP 3



Tips: Self-tapping screw is an auxiliary reinforcement function, you can choose to reinforce or not.



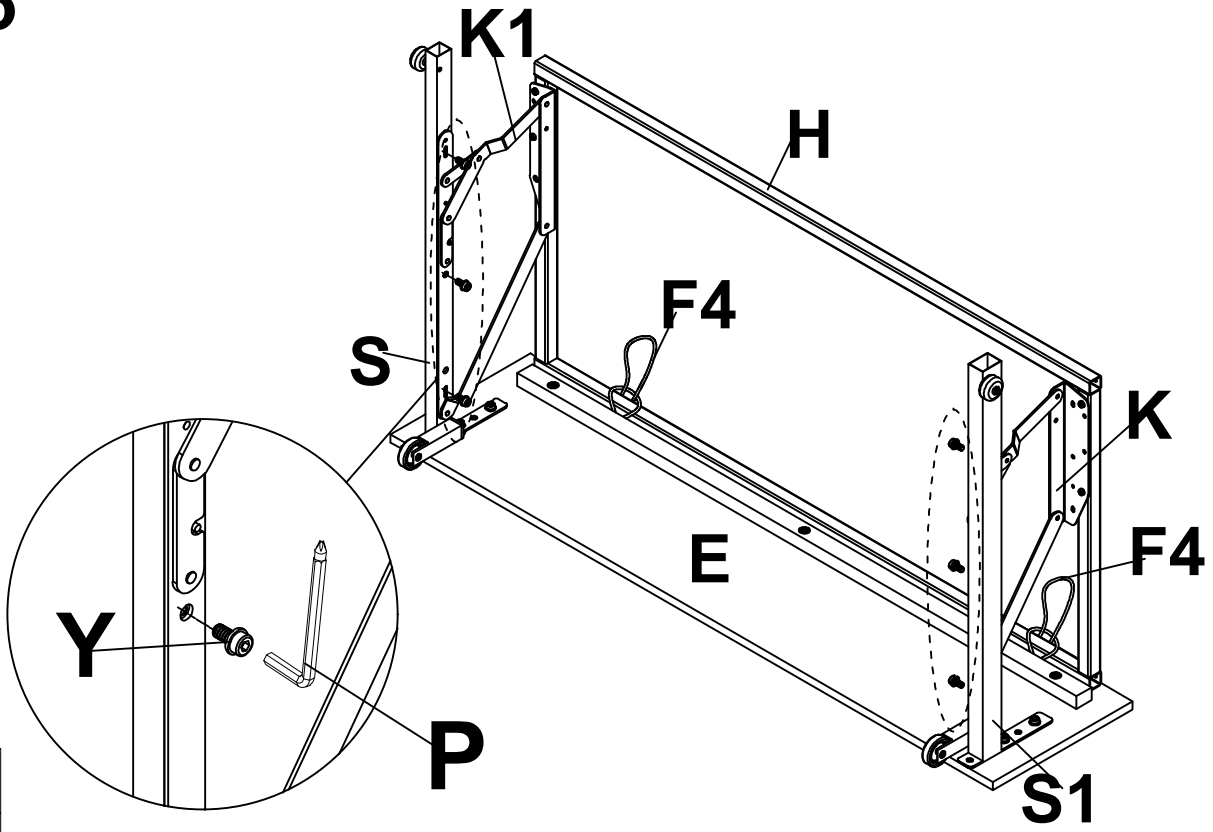
-  U x 4pcs
-  P x 1pc



# STEP 4



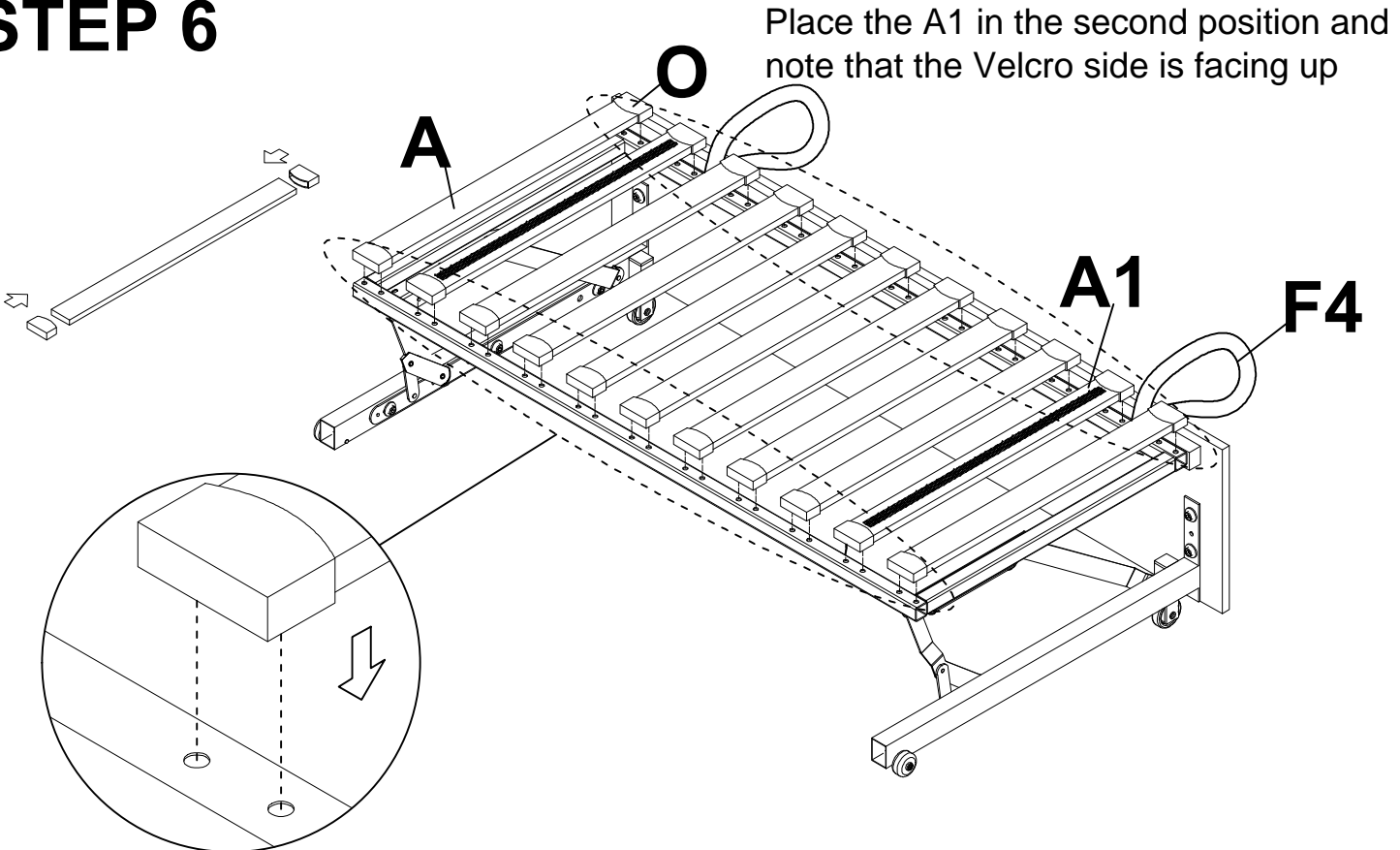
-  V x 4pcs
-  P x 1pc

# STEP 5

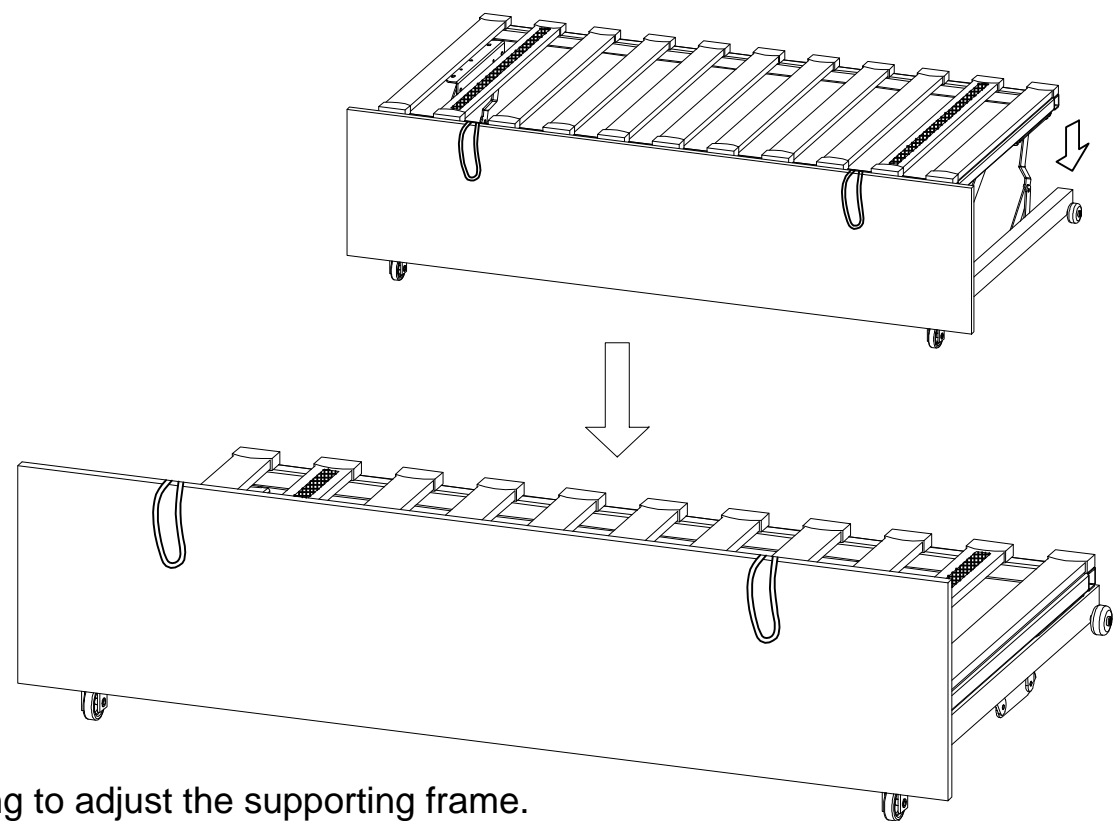


-  Y x 6pcs
-  P x 1pc

# STEP 6

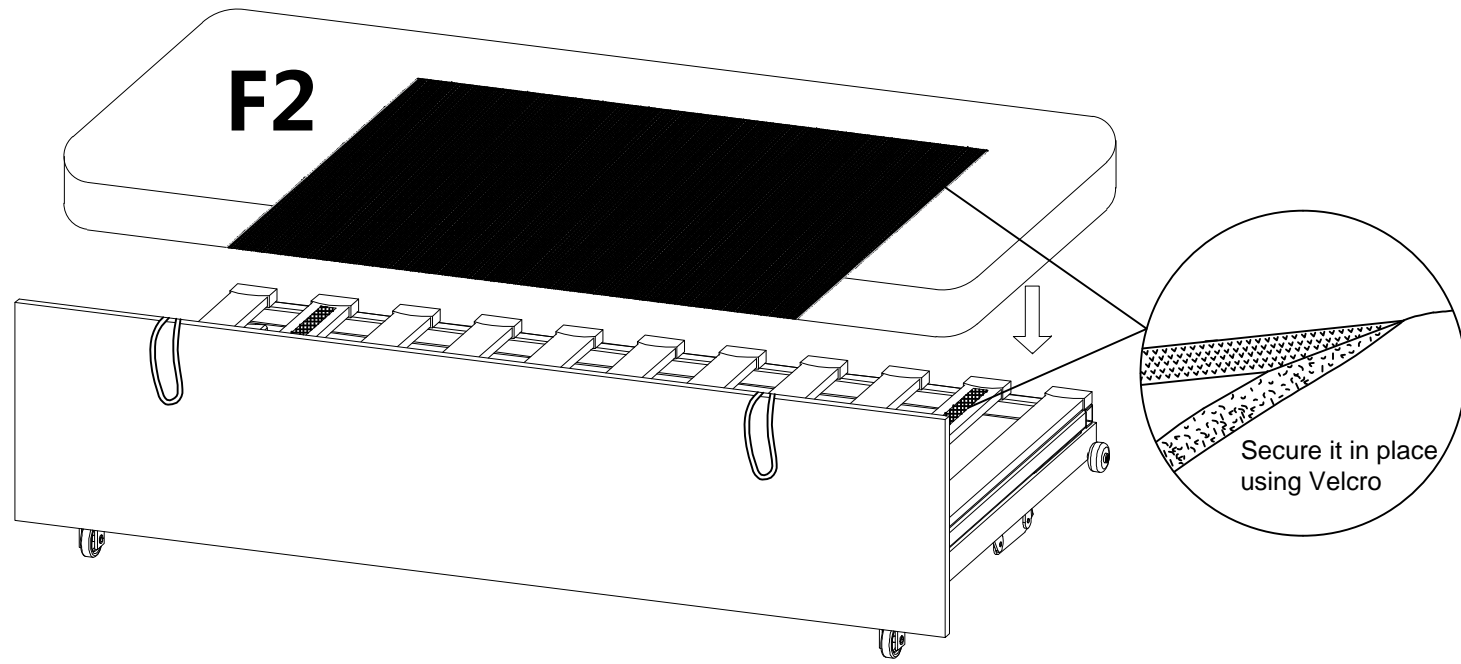


# STEP 7



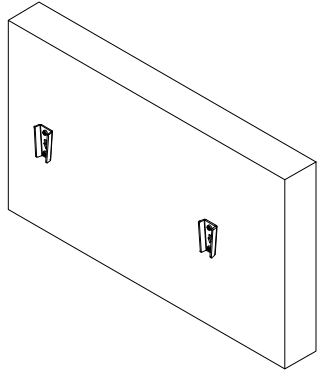
Pull the drawstring to adjust the supporting frame.

# STEP 8



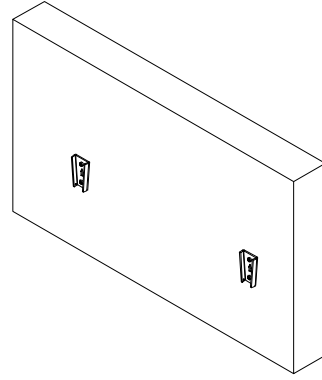
# Main Structure Accessories

**R1**



1pc

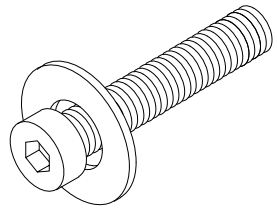
**R2**



1pc

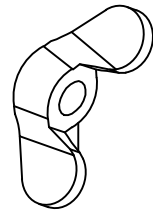
# Hardware Parts

N



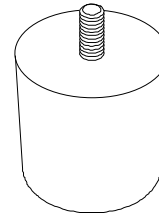
3pcs

T



1pc

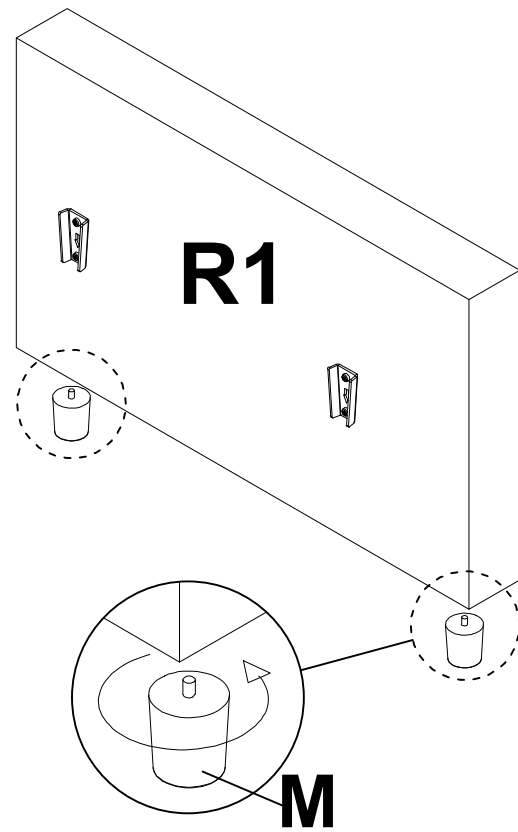
M



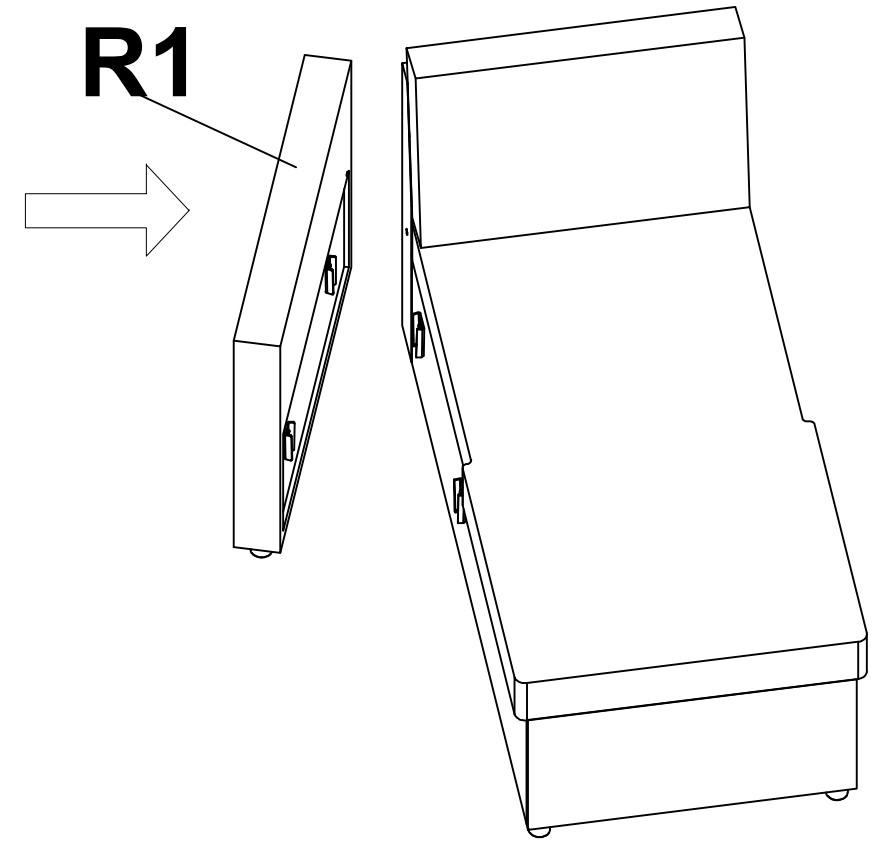
4pcs

# Plan A (When the CHAISE is on the left)

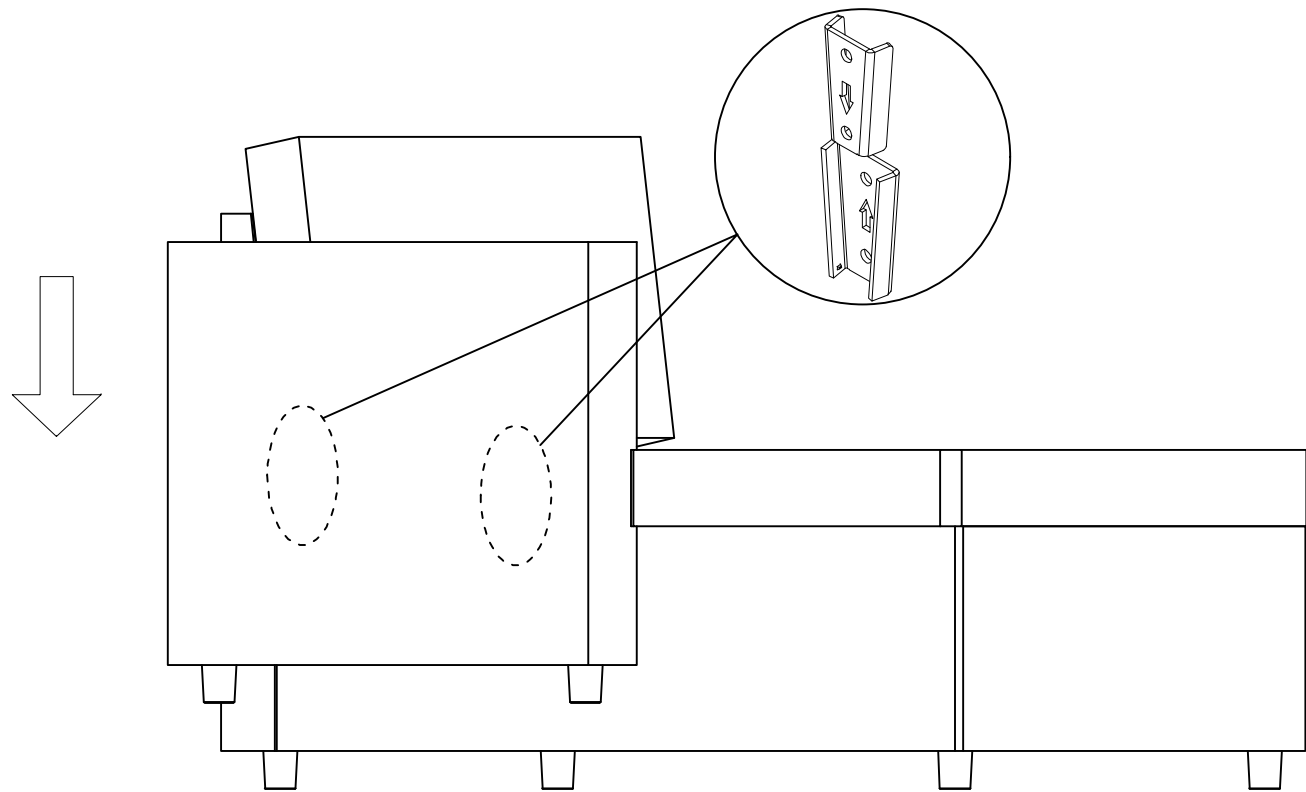
## STEP 1



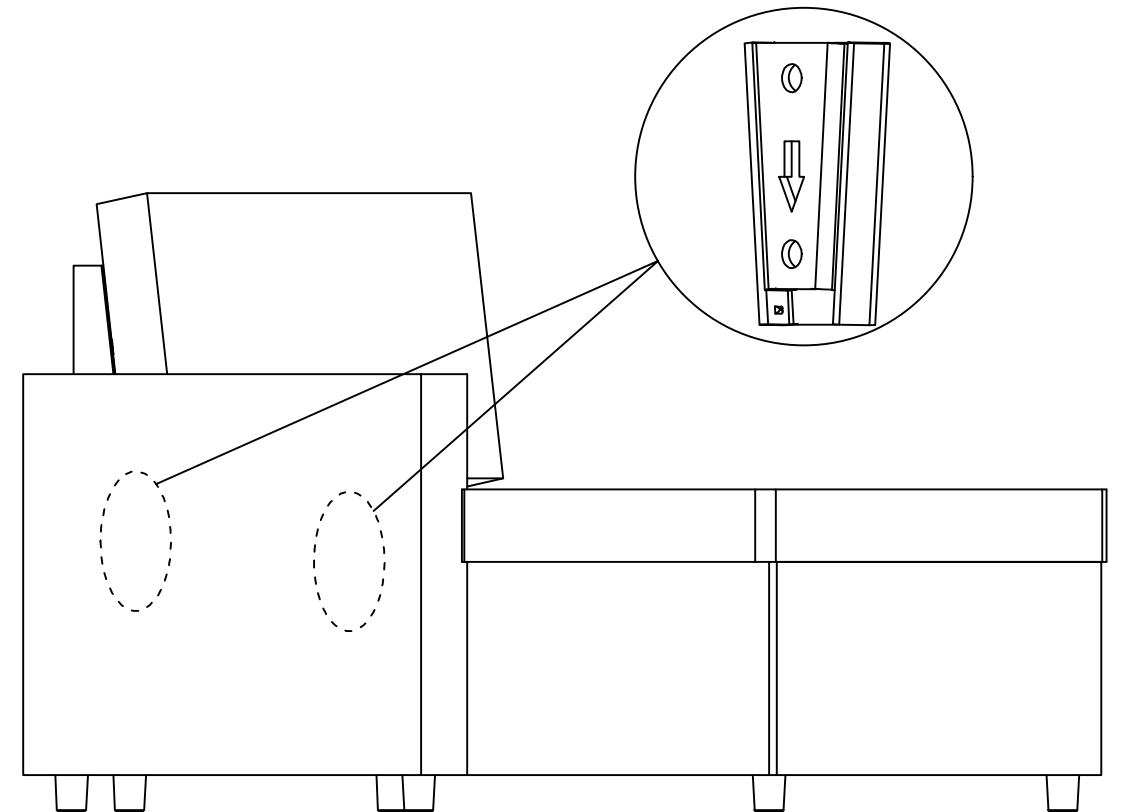
## STEP 2



## STEP 3 Insert the left armrest into the left side of the chaise

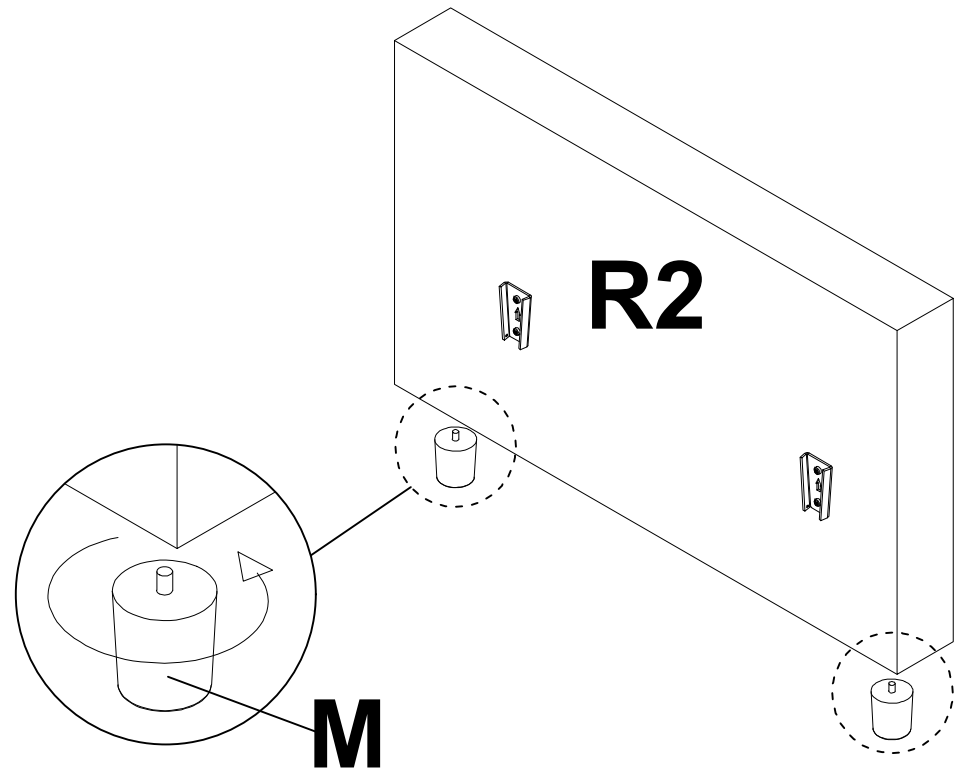


## STEP 4

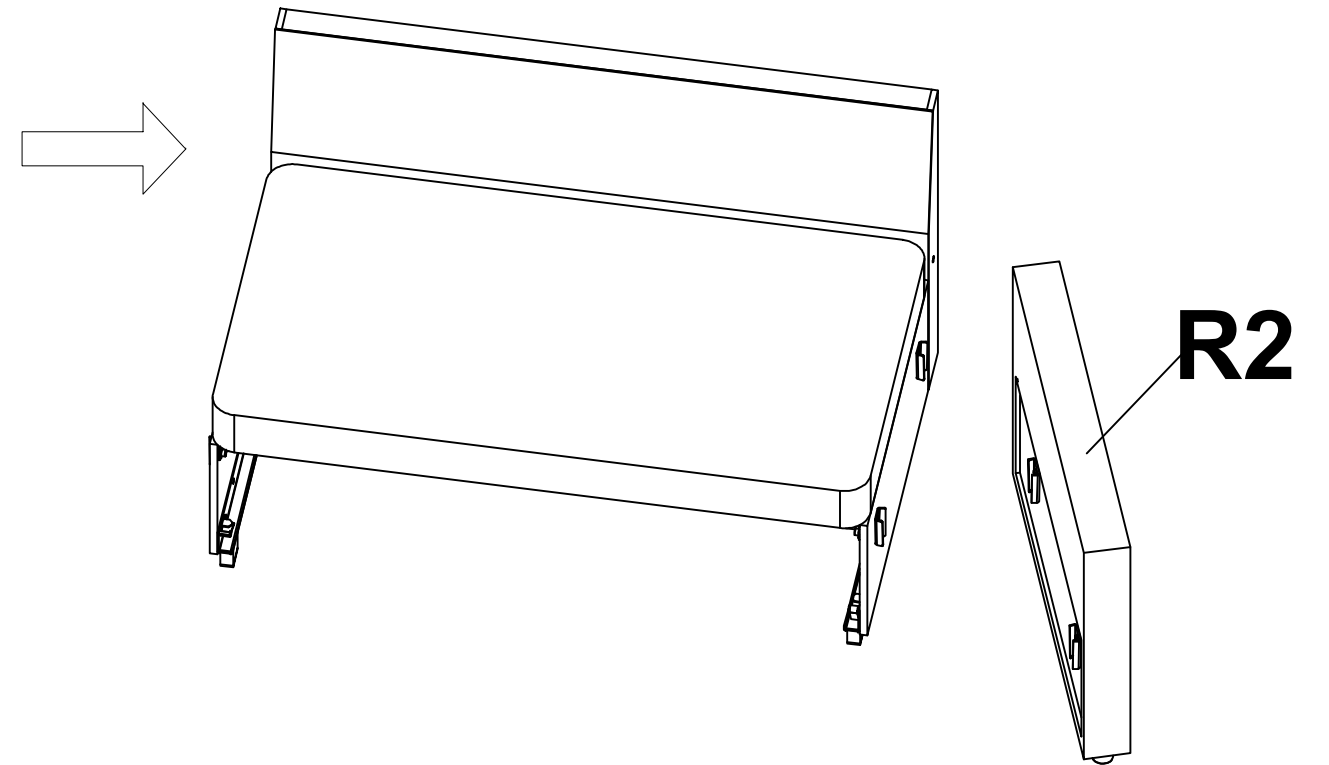


# Plan A (When the CHAISE is on the left)

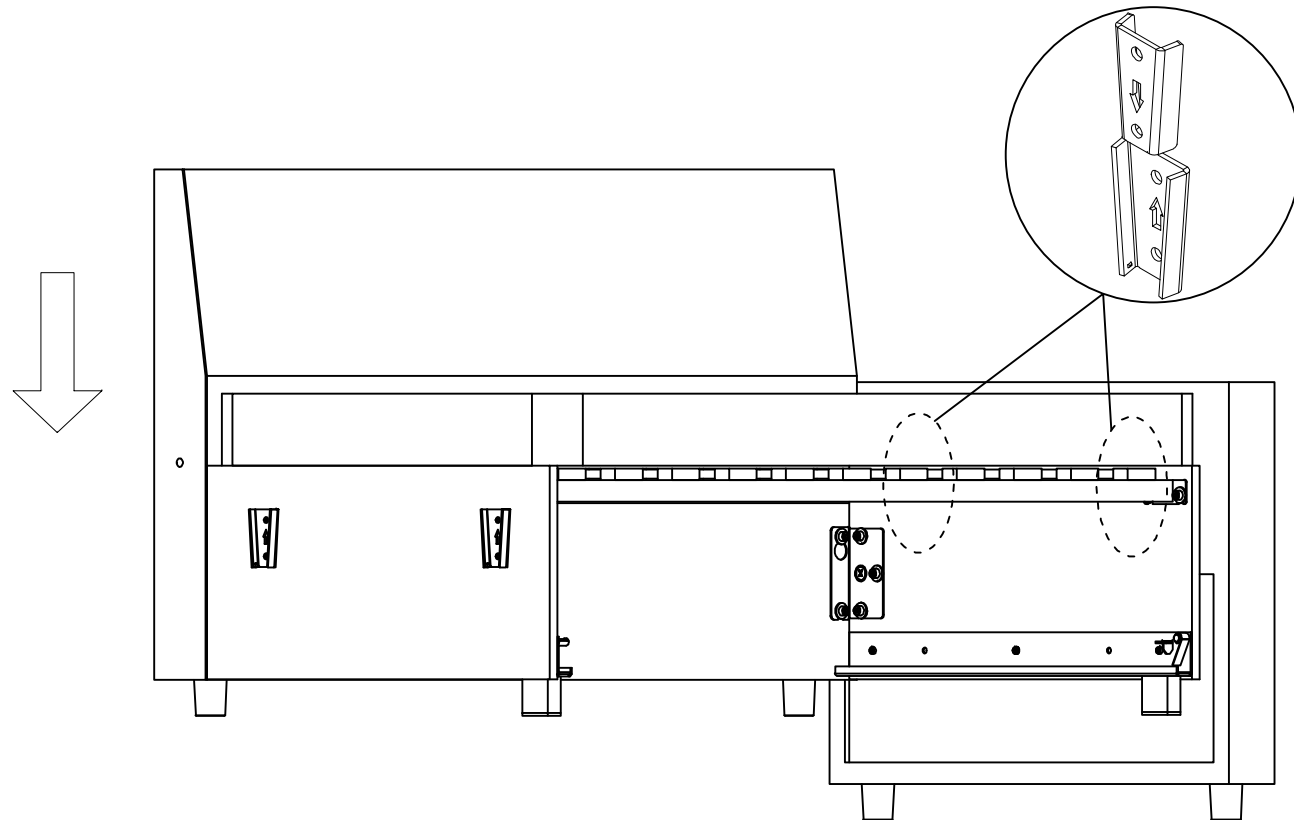
## STEP 5



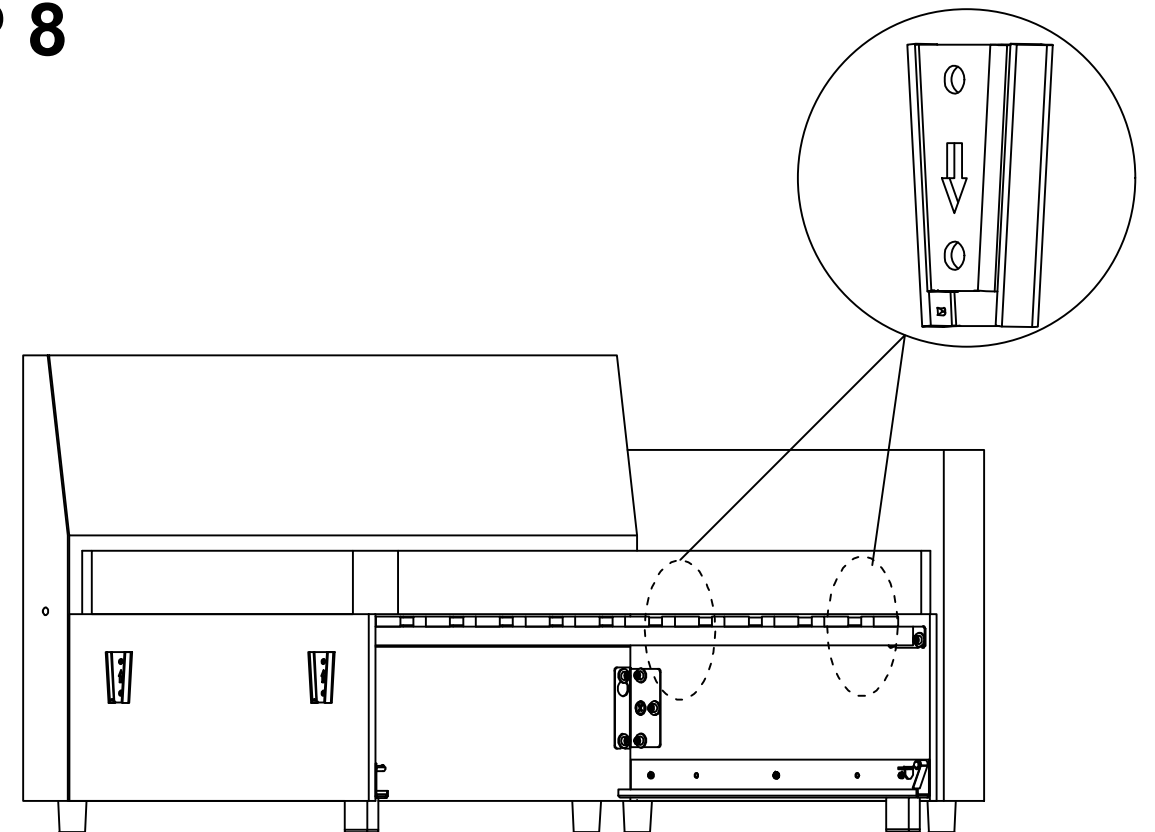
## STEP 6



## STEP 7 The right-side of two-seater insert the right armrest

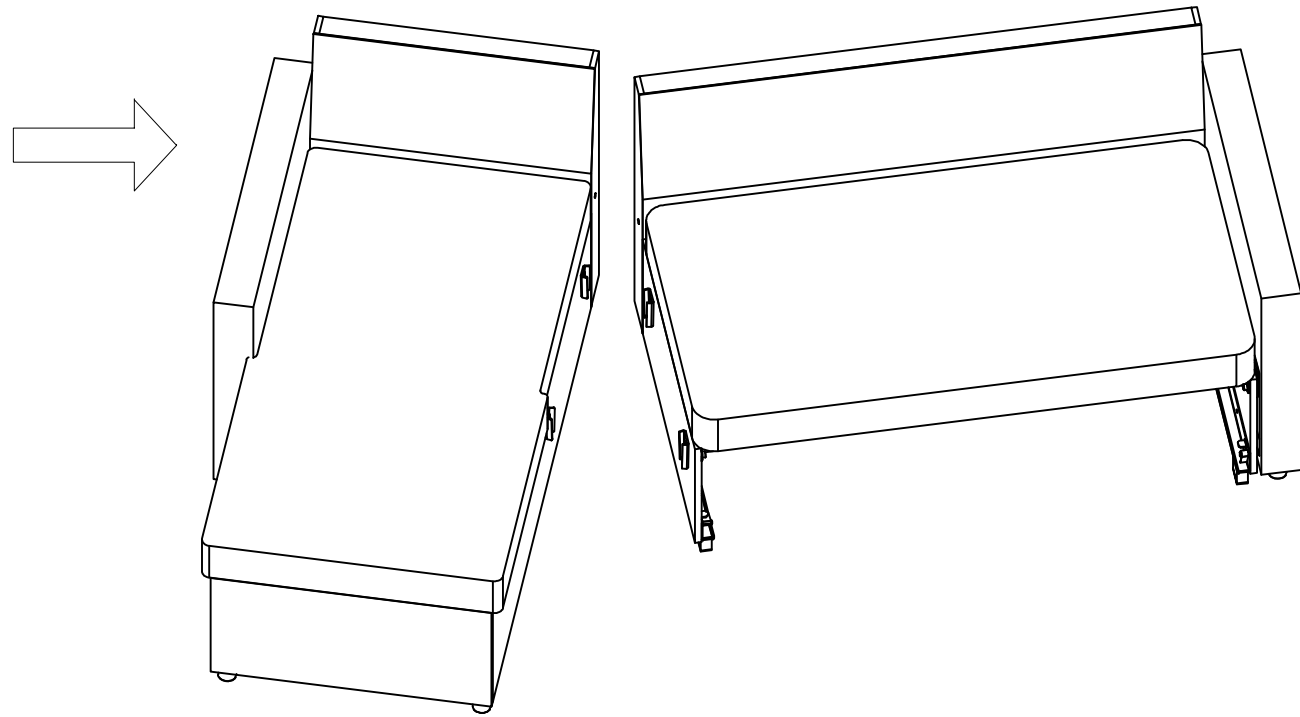


## STEP 8

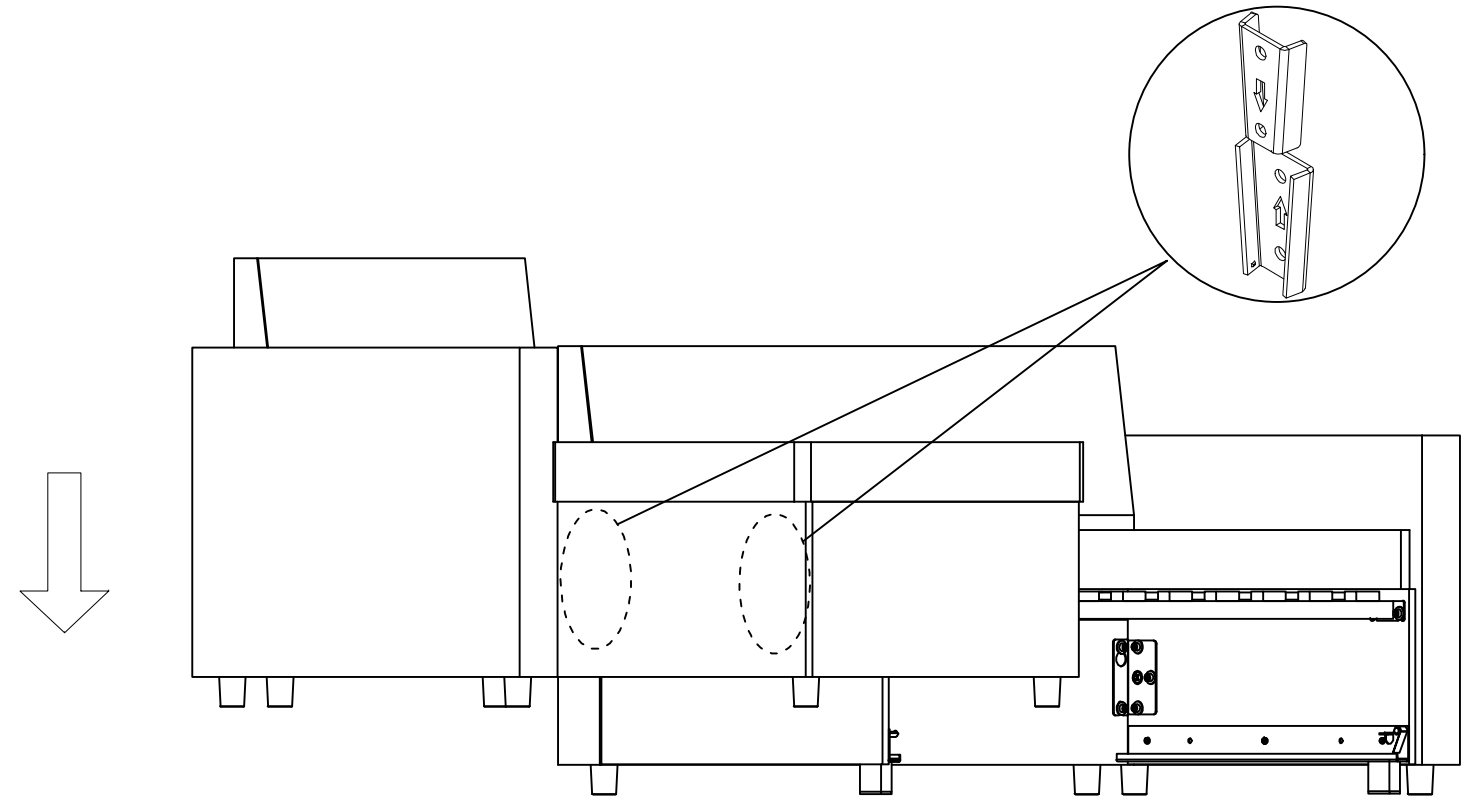


# Plan A (When the CHAISE is on the left)

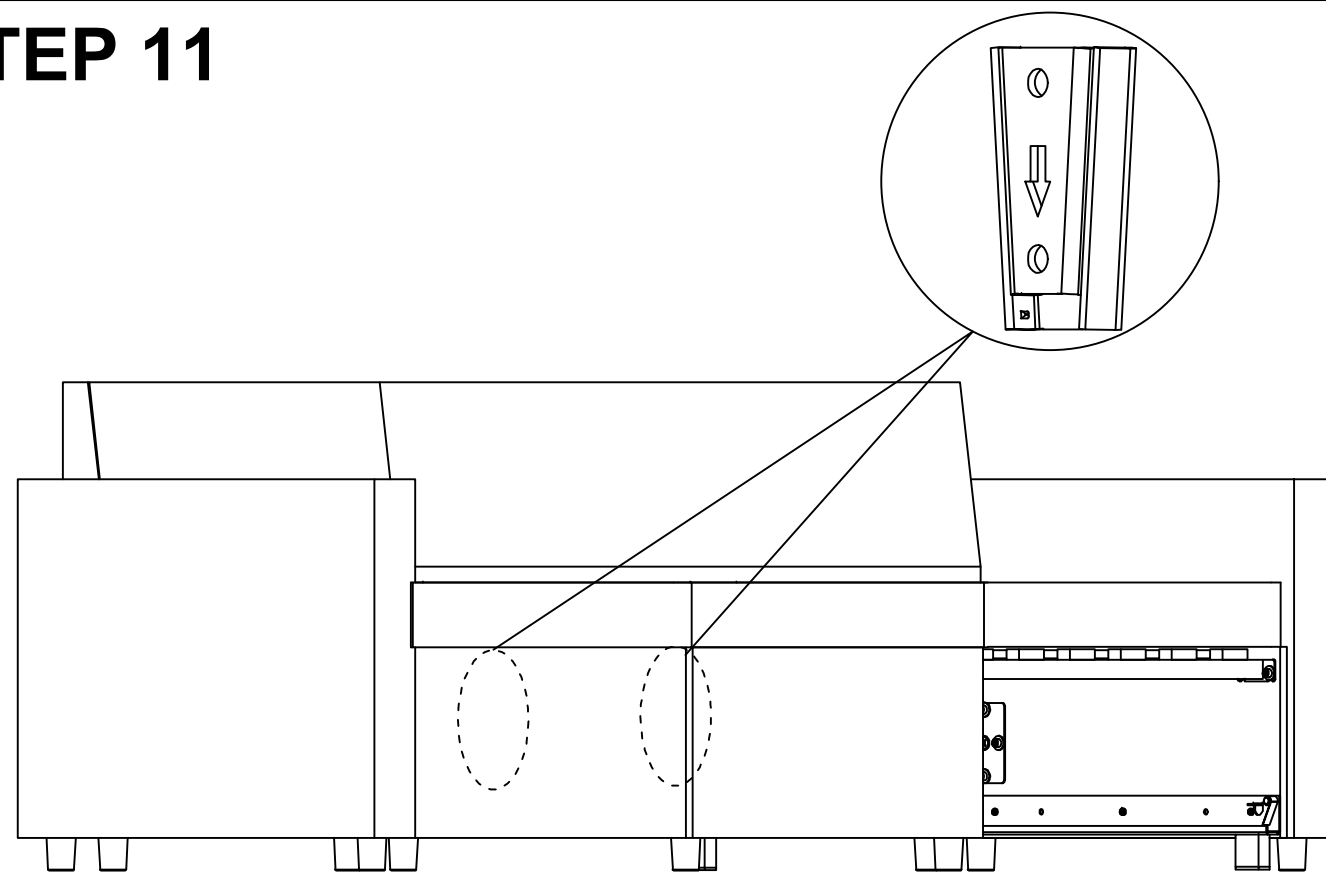
## STEP 9



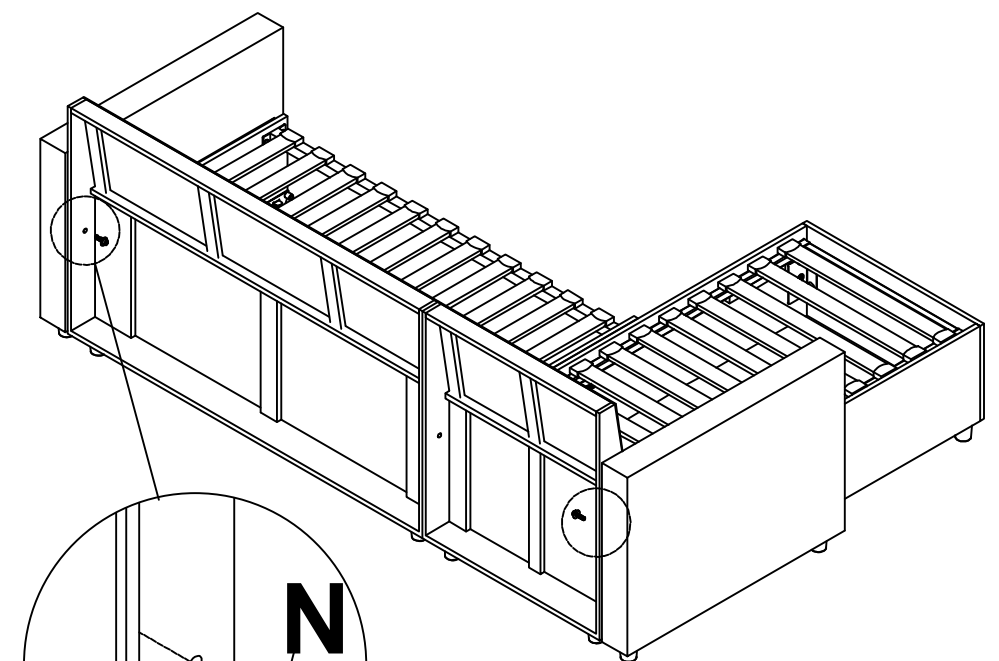
## STEP 10 The right-side of the chaise insert the left side of two-seater





## STEP 11



## STEP 12

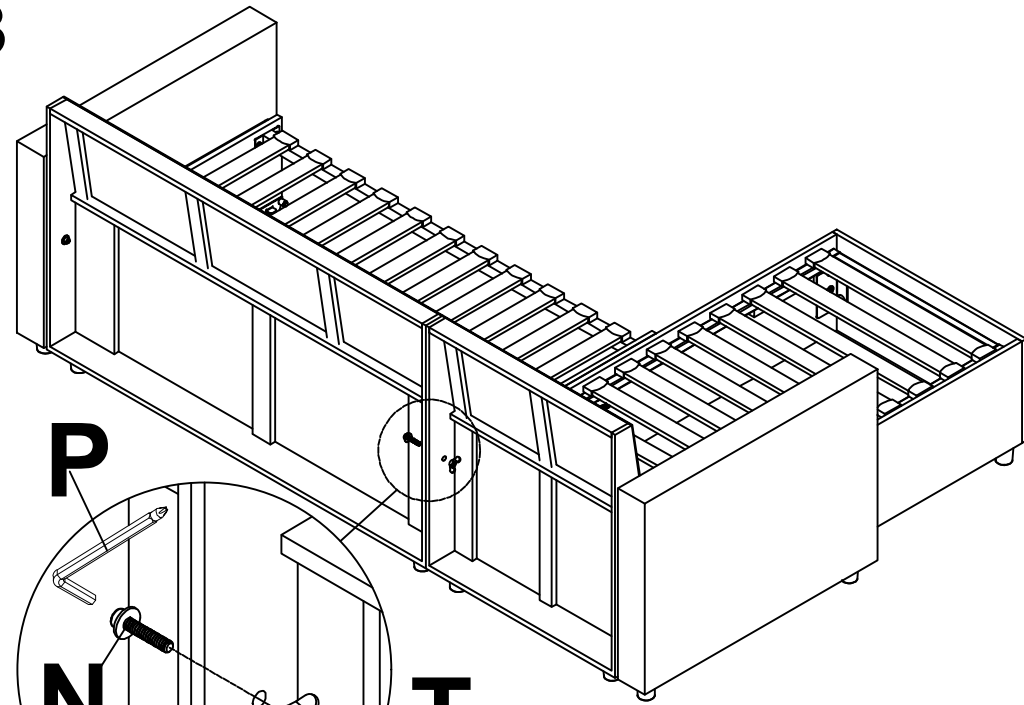


- |   |          |
|---|----------|
|  | N x 2pcs |
|  | P x 1pc  |

Locking the screws

# Plan A (When the CHAISE is on the left)

## STEP 13






P

N

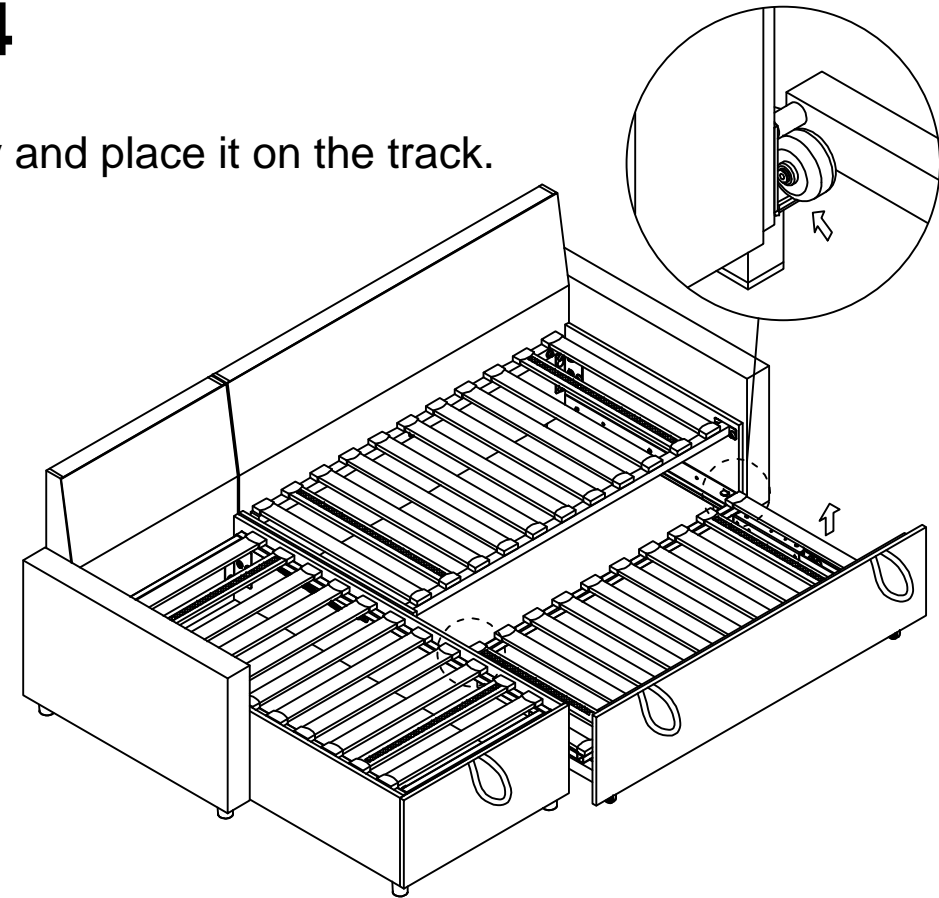
T

Screw through hole and tighten with butterfly nut.

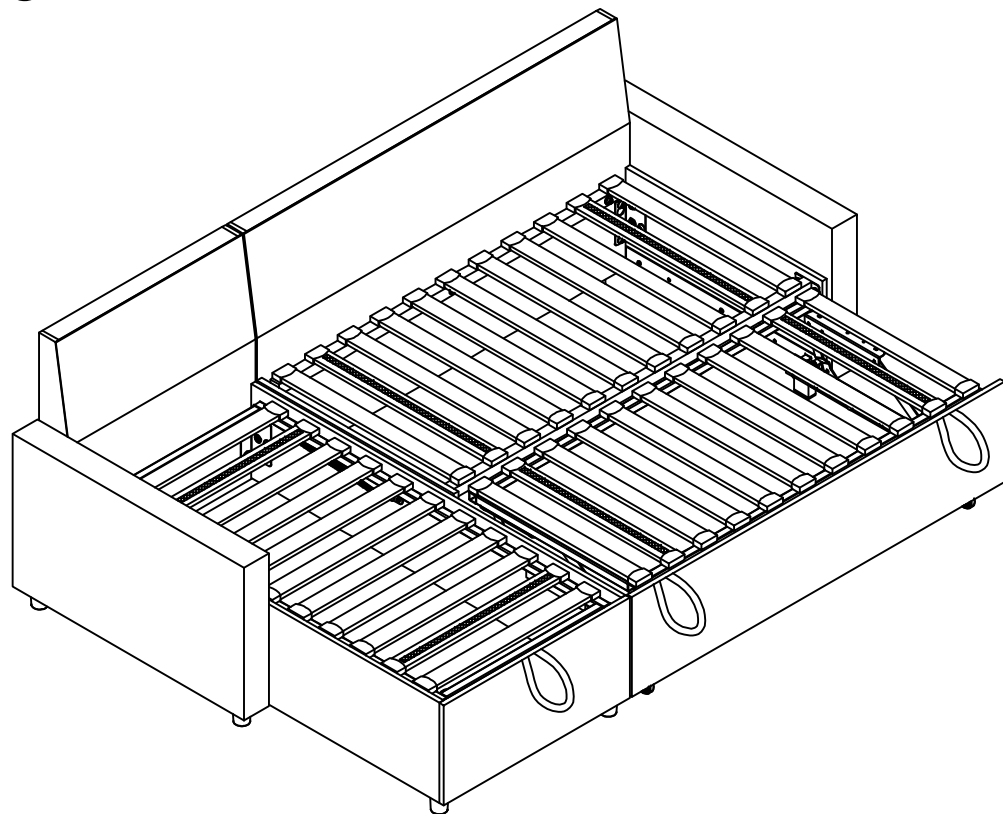
	P x 1pc
	N x 1pc
	T x 1pc

## STEP 14

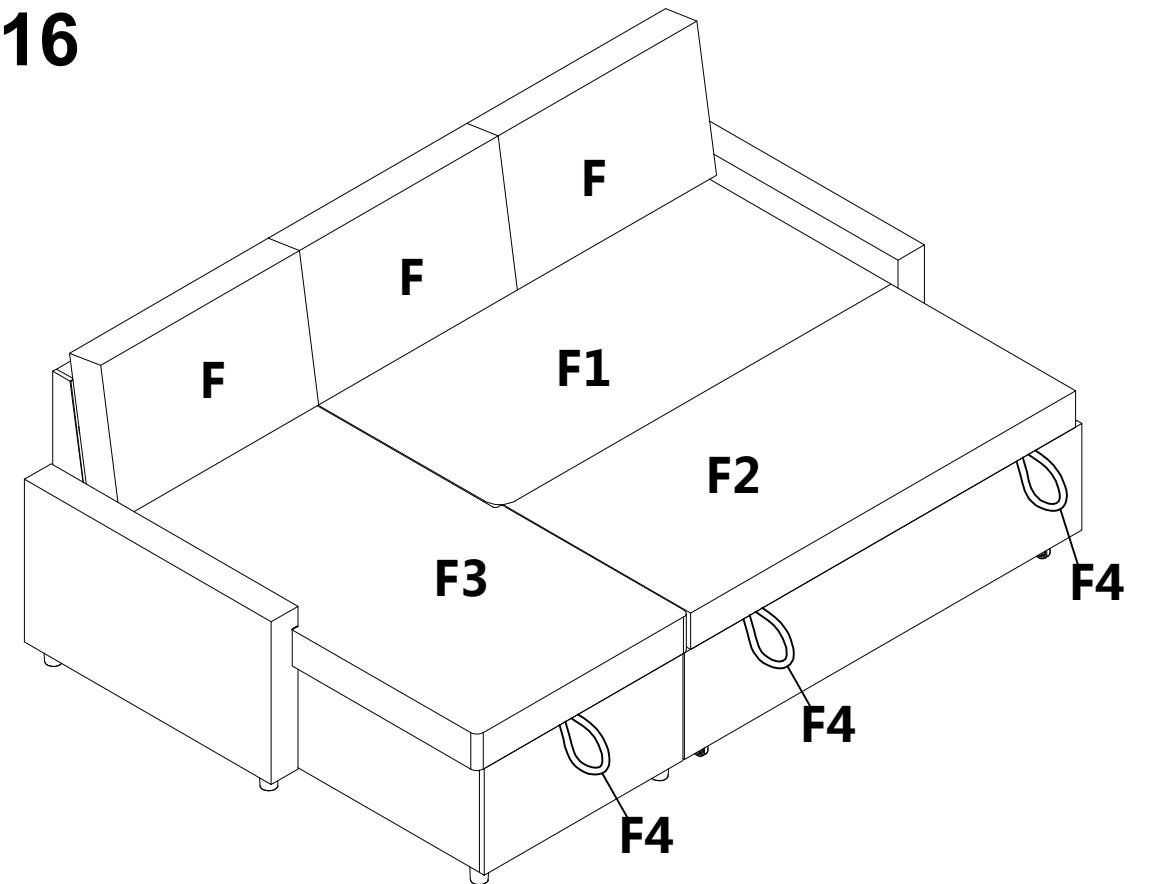
Life it slightly and place it on the track.



## STEP 15

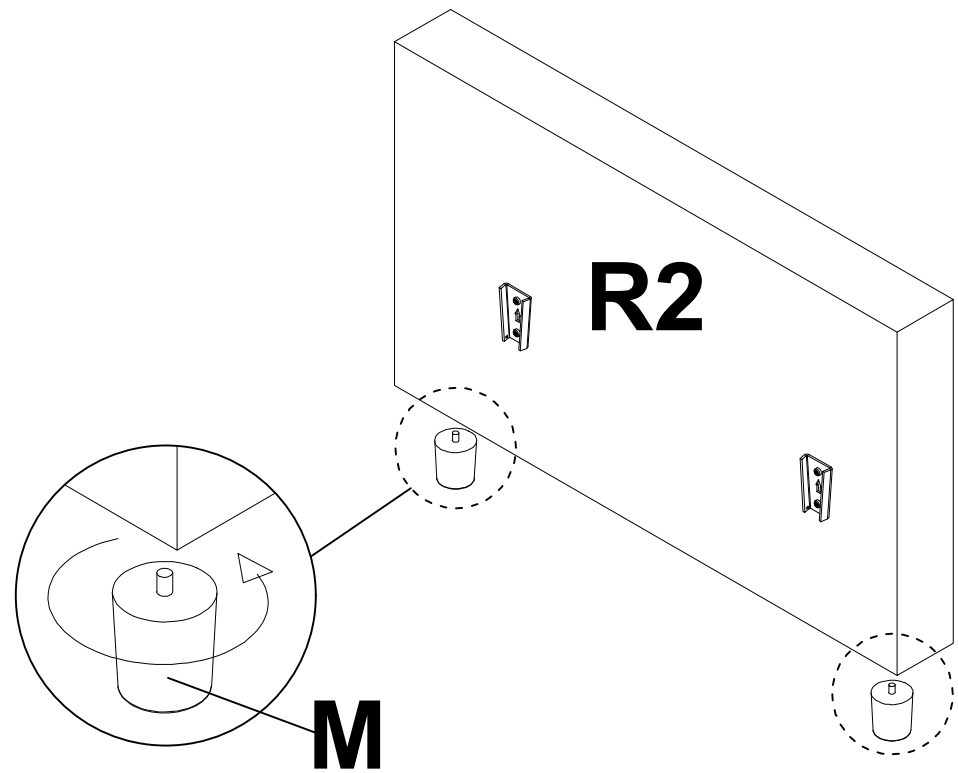


## STEP 16

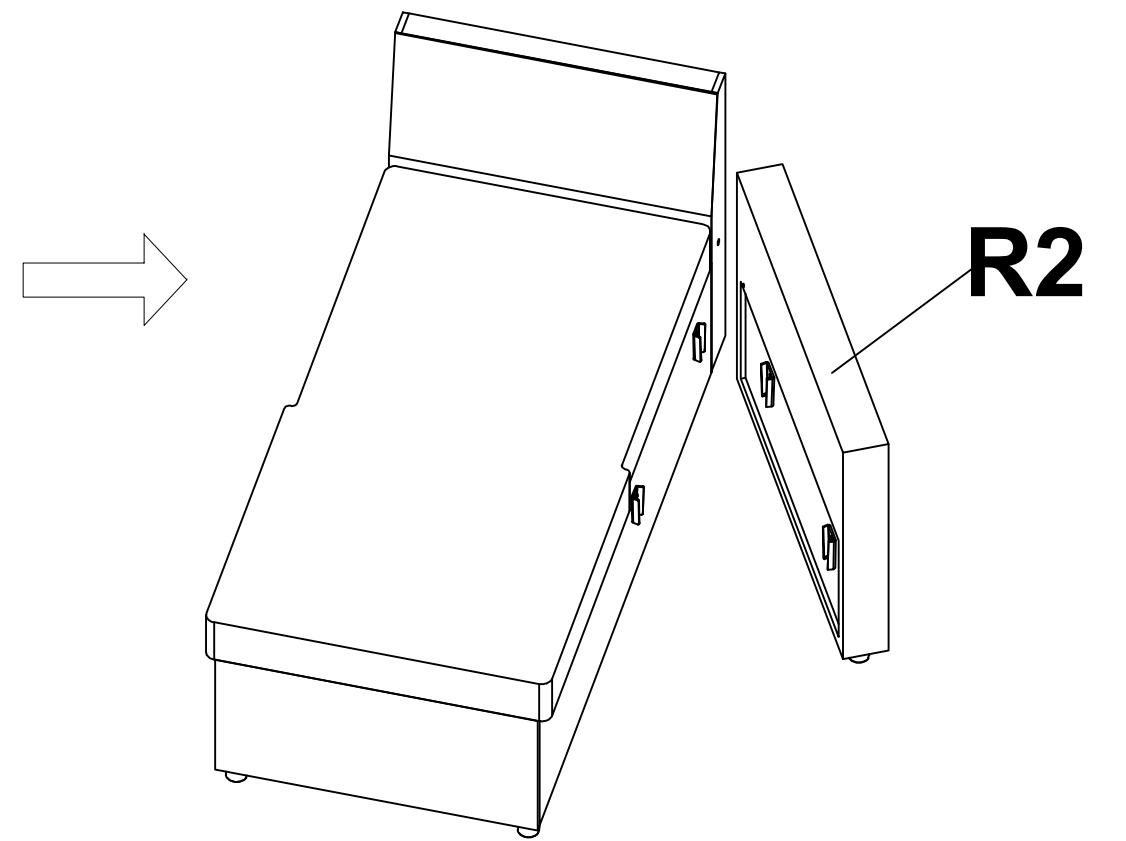


# Plan B (When the CHAISE is on the right)

## STEP 1

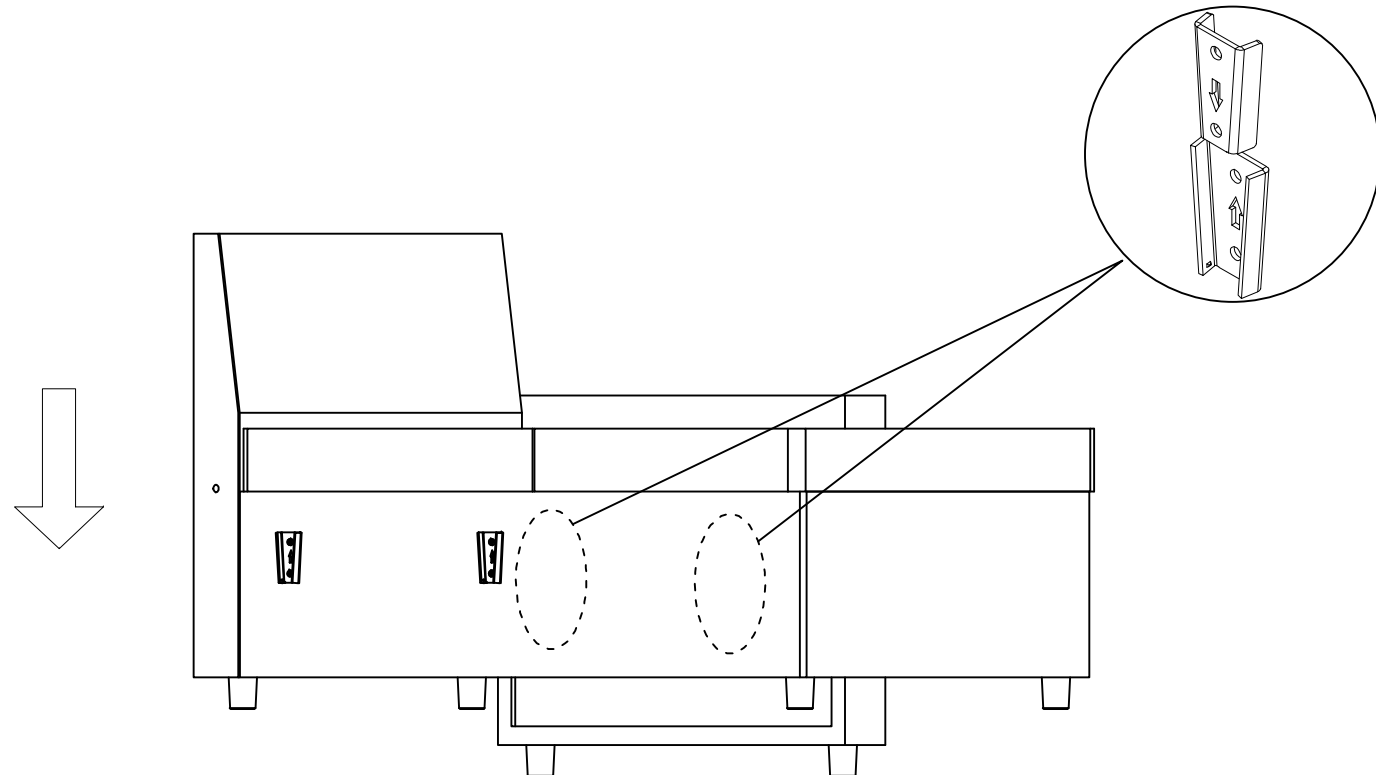


## STEP 2

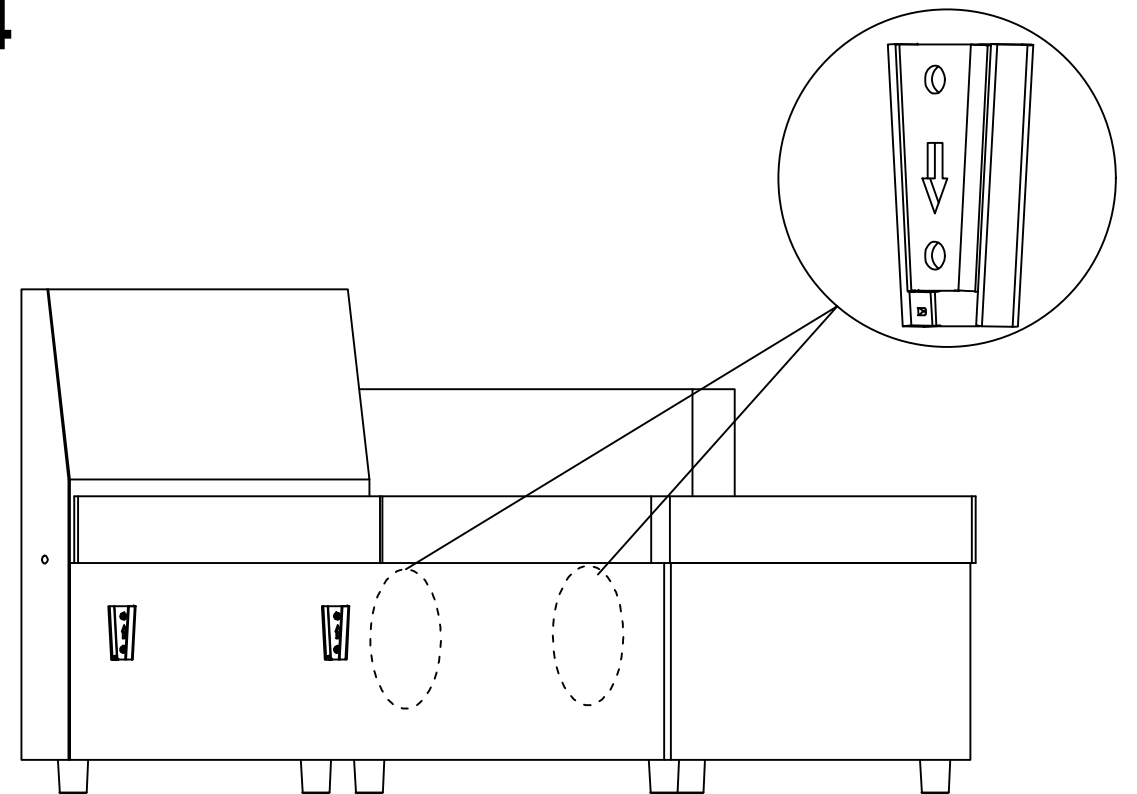


## STEP 3

The right-side of the chaise insert the right side armrest

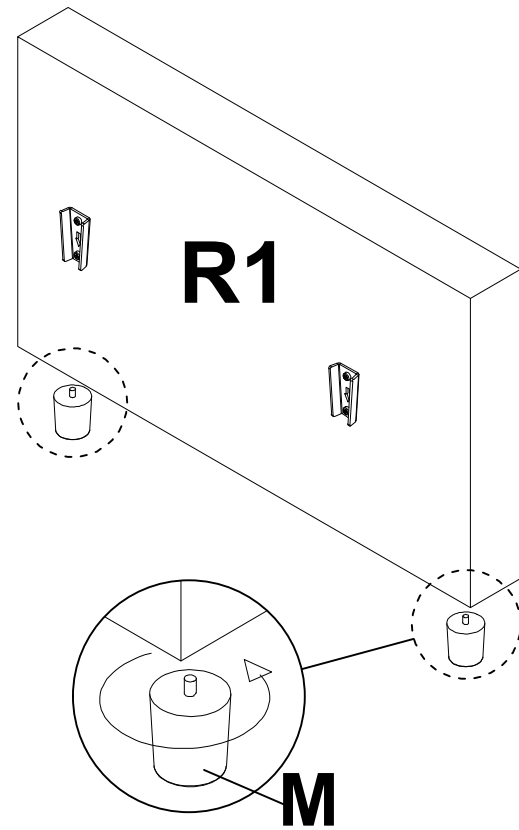


## STEP 4

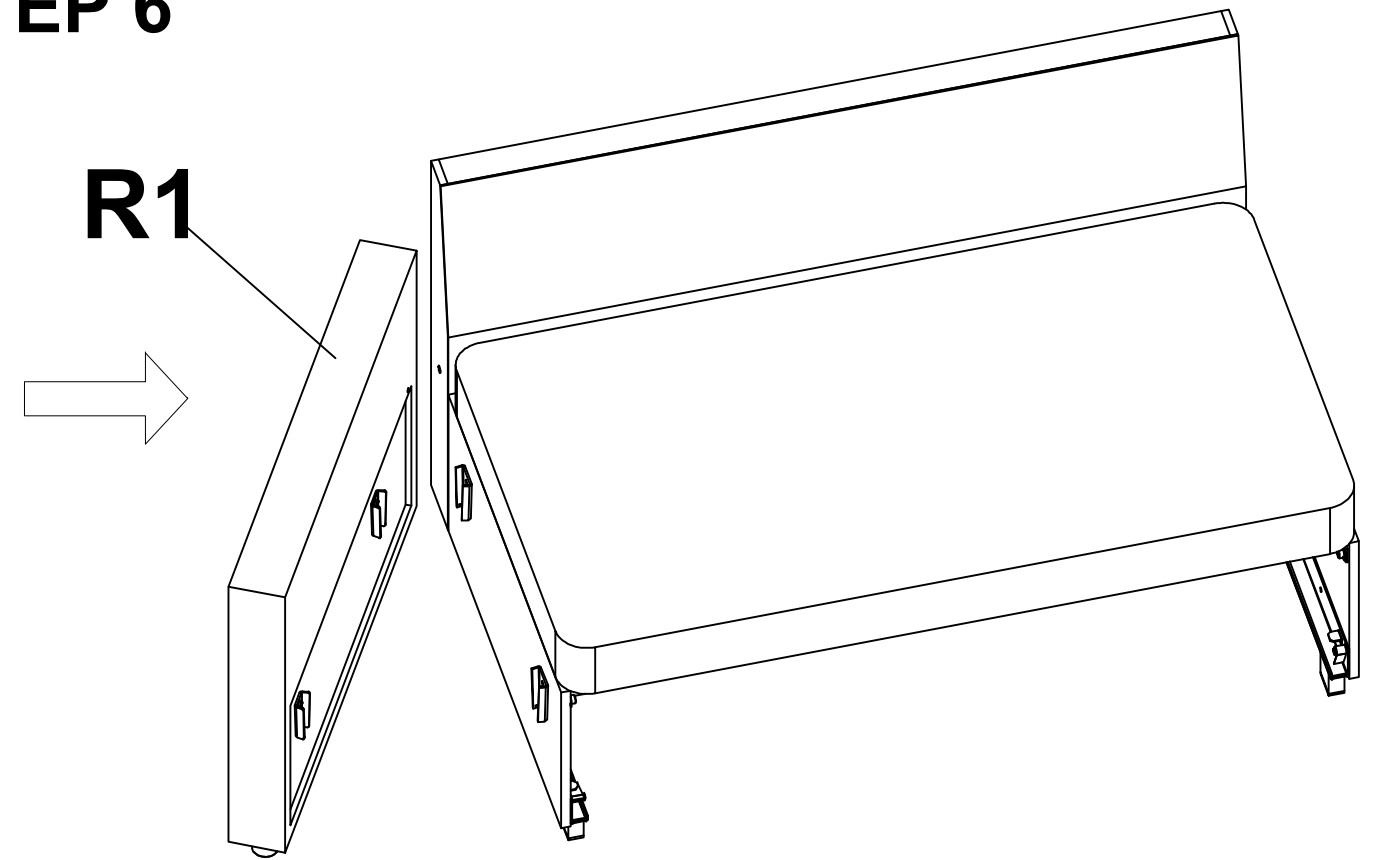


# Plan B (When the CHAISE is on the right)

## STEP 5

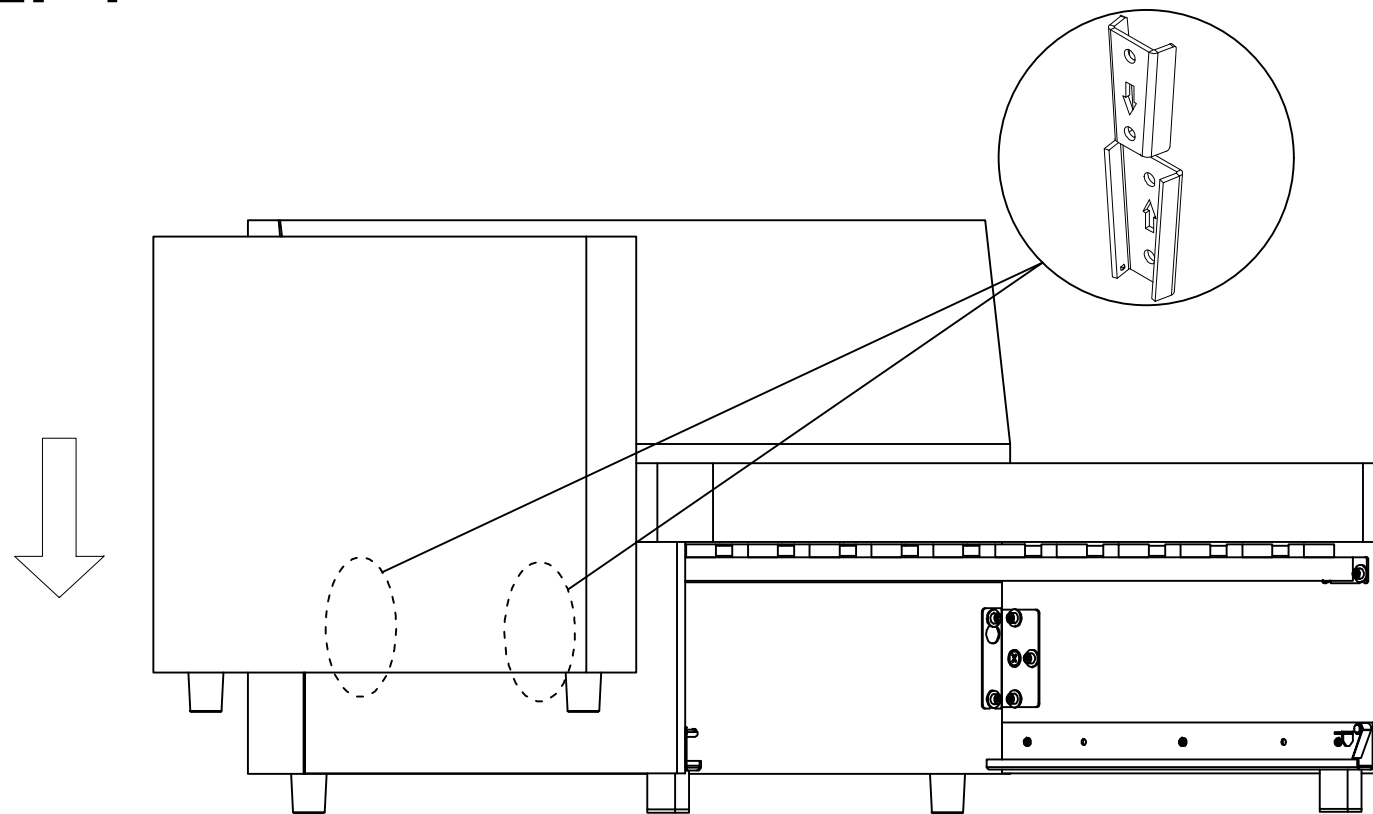


## STEP 6

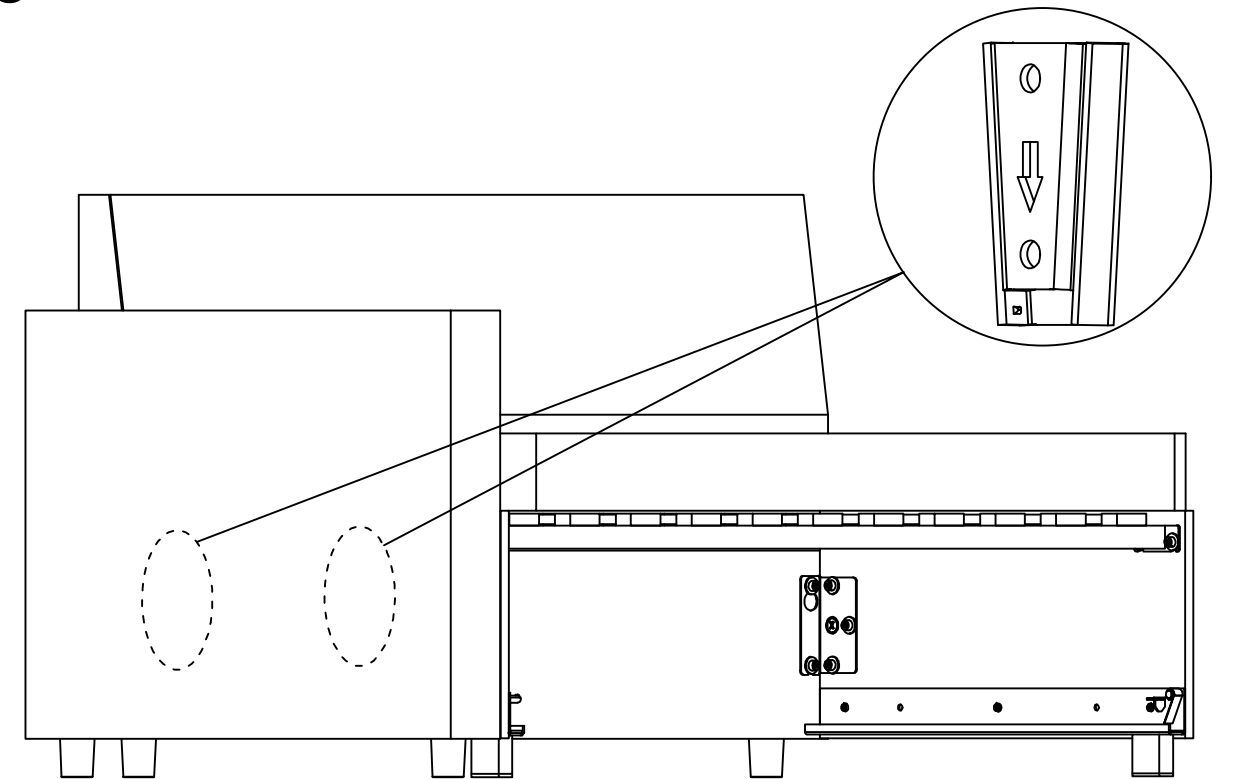


## STEP 7

Insert the left armrest into the left side of the two-seater

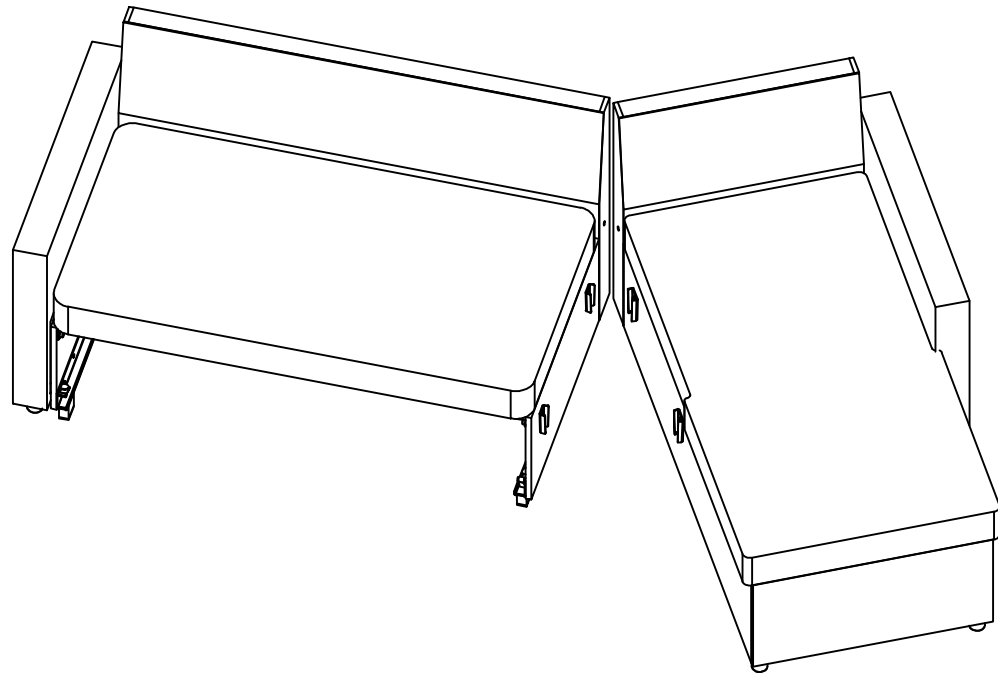


## STEP 8



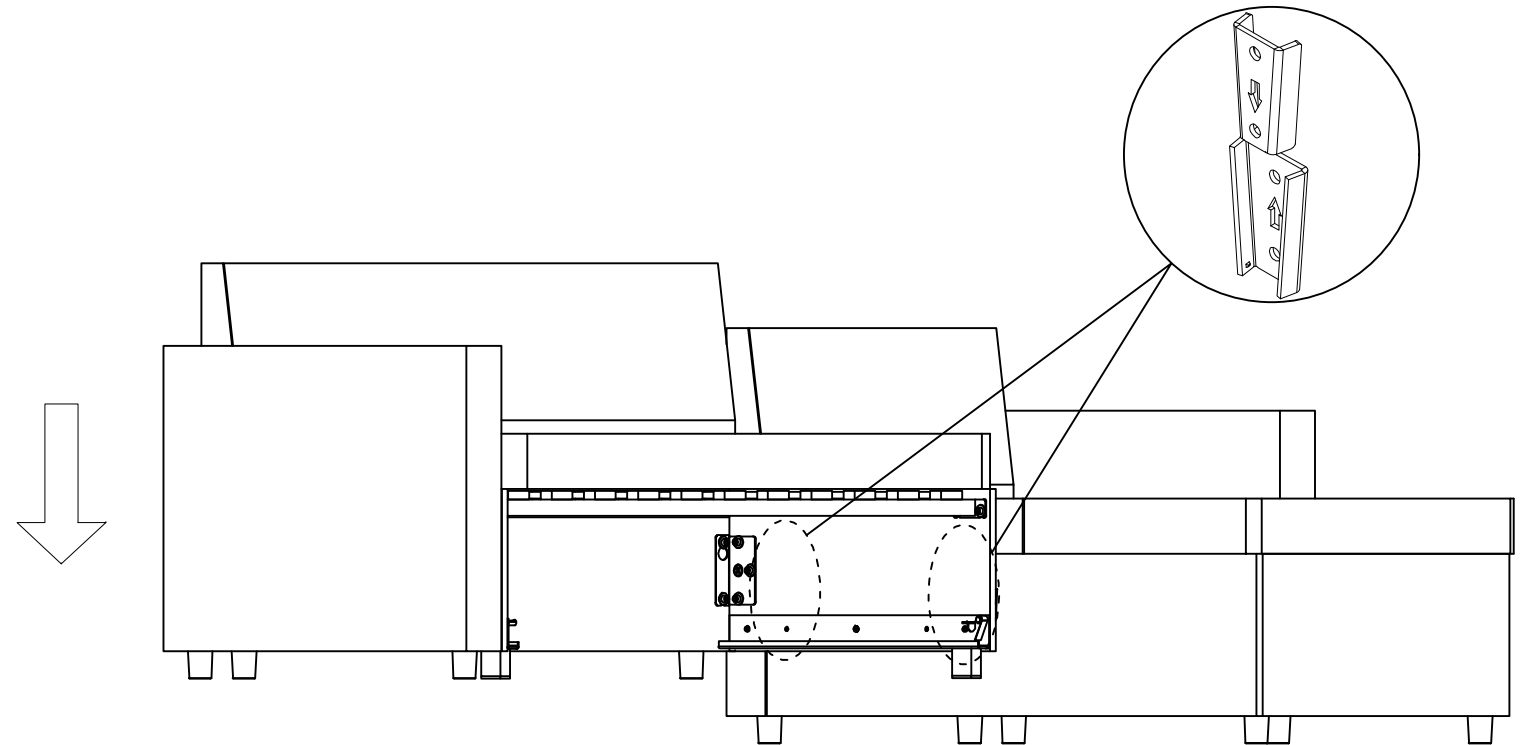
# Plan B (When the CHAISE is on the right)

## STEP 9

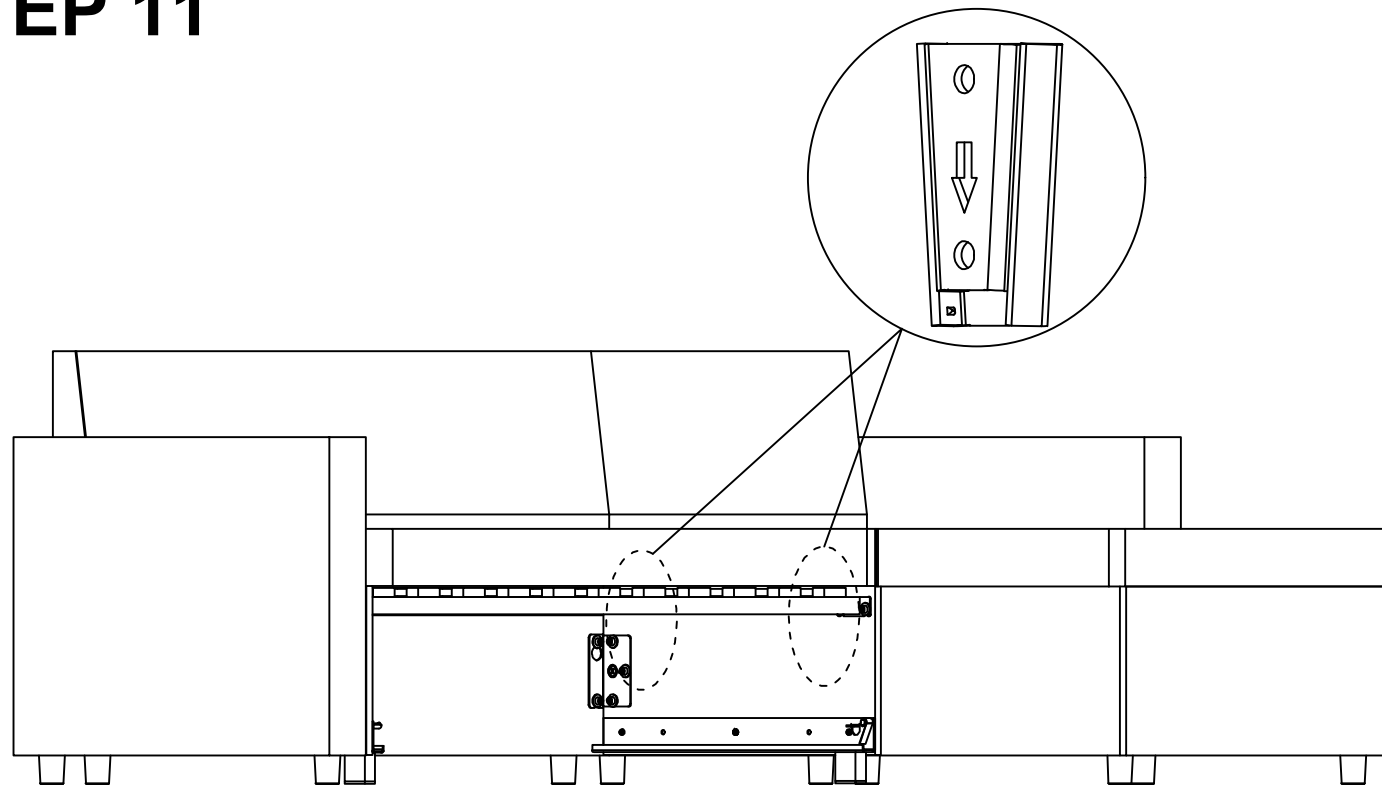


## STEP 10

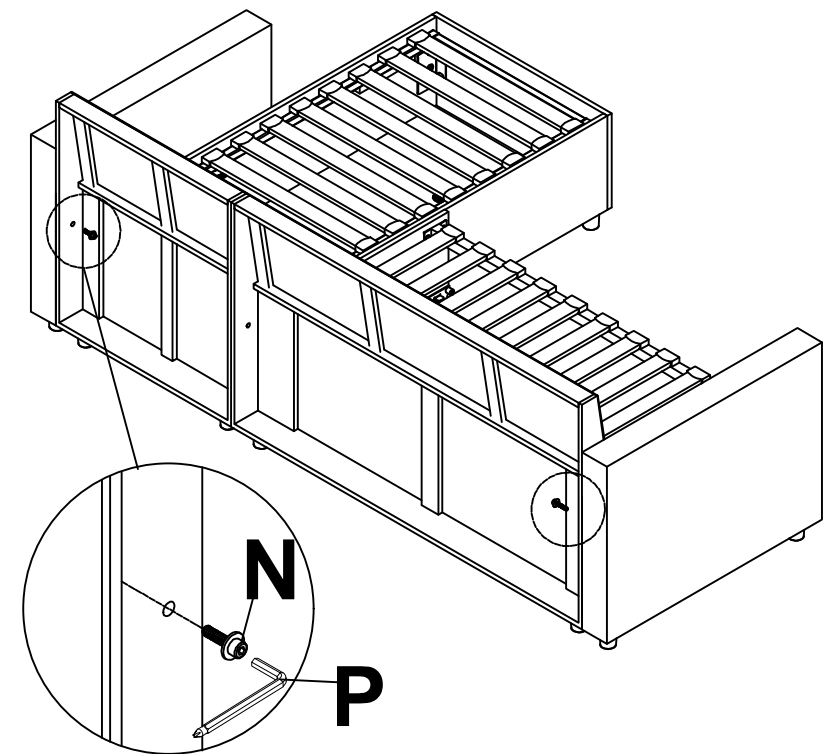
The right-side of two-seater insert the left side of chaise





## STEP 11



## STEP 12

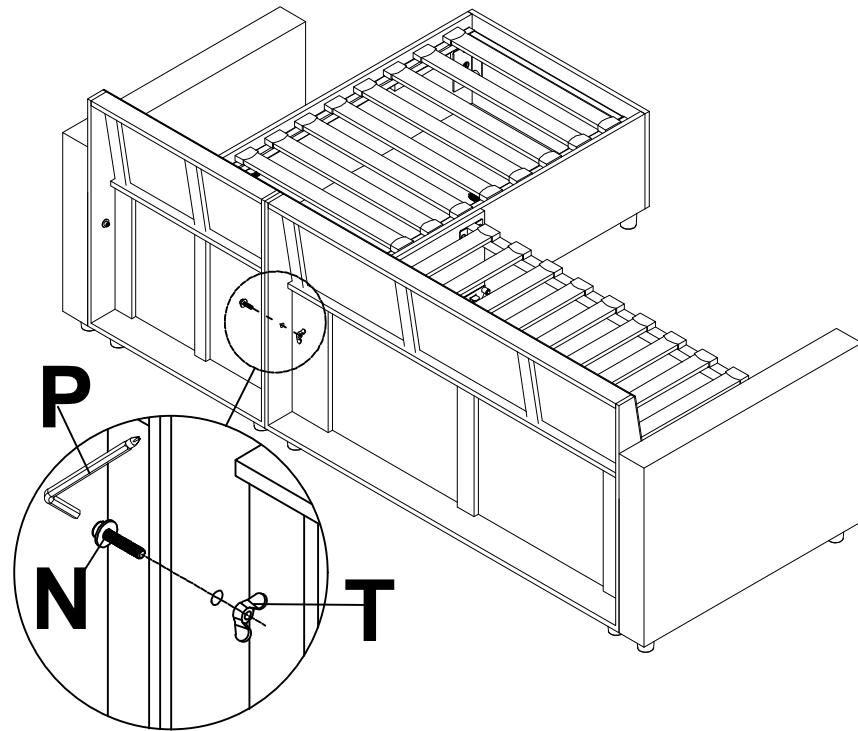





	N x 2pcs
	P x 1pc

Locking the screws

# Plan B (When the CHAISE is on the right)

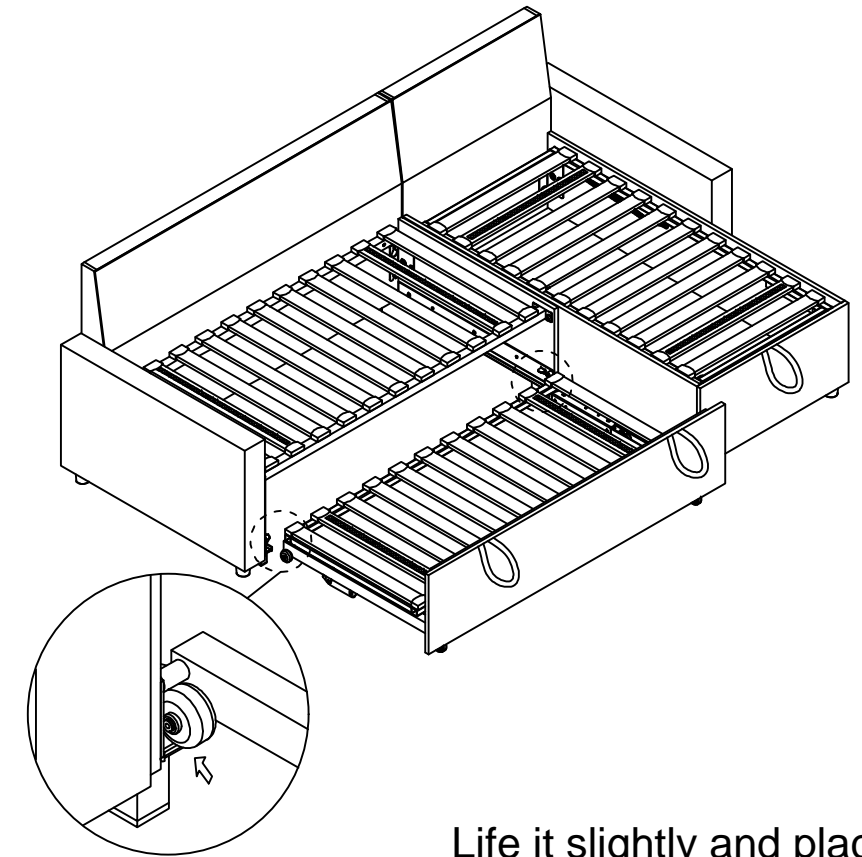
## STEP 13



	P x 1pc
	N x 1pc
	T x 1pc

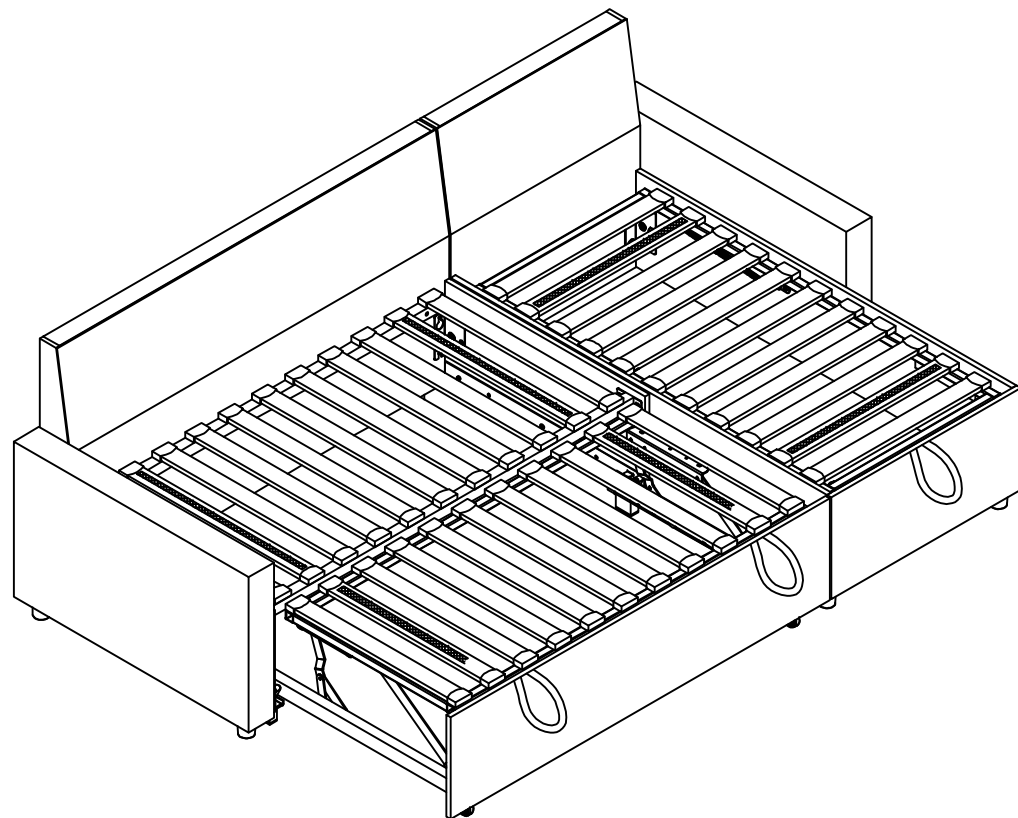
Screw through hole and tighten with butterfly nut.

## STEP 14

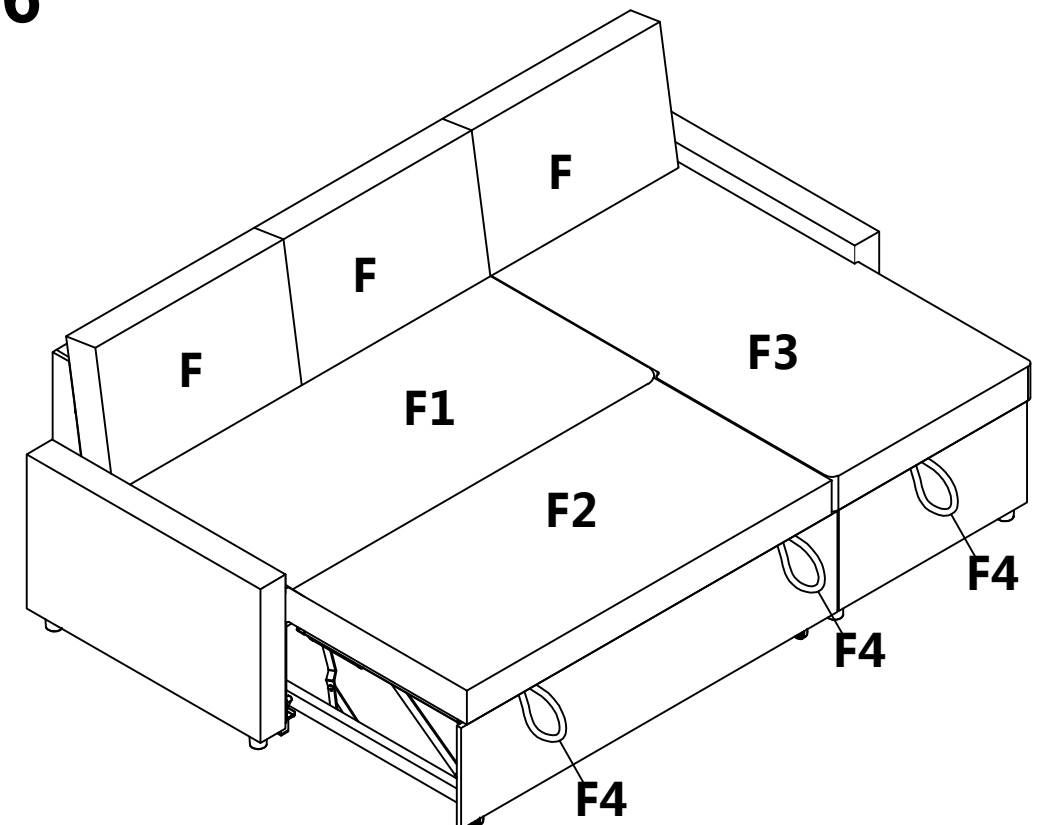


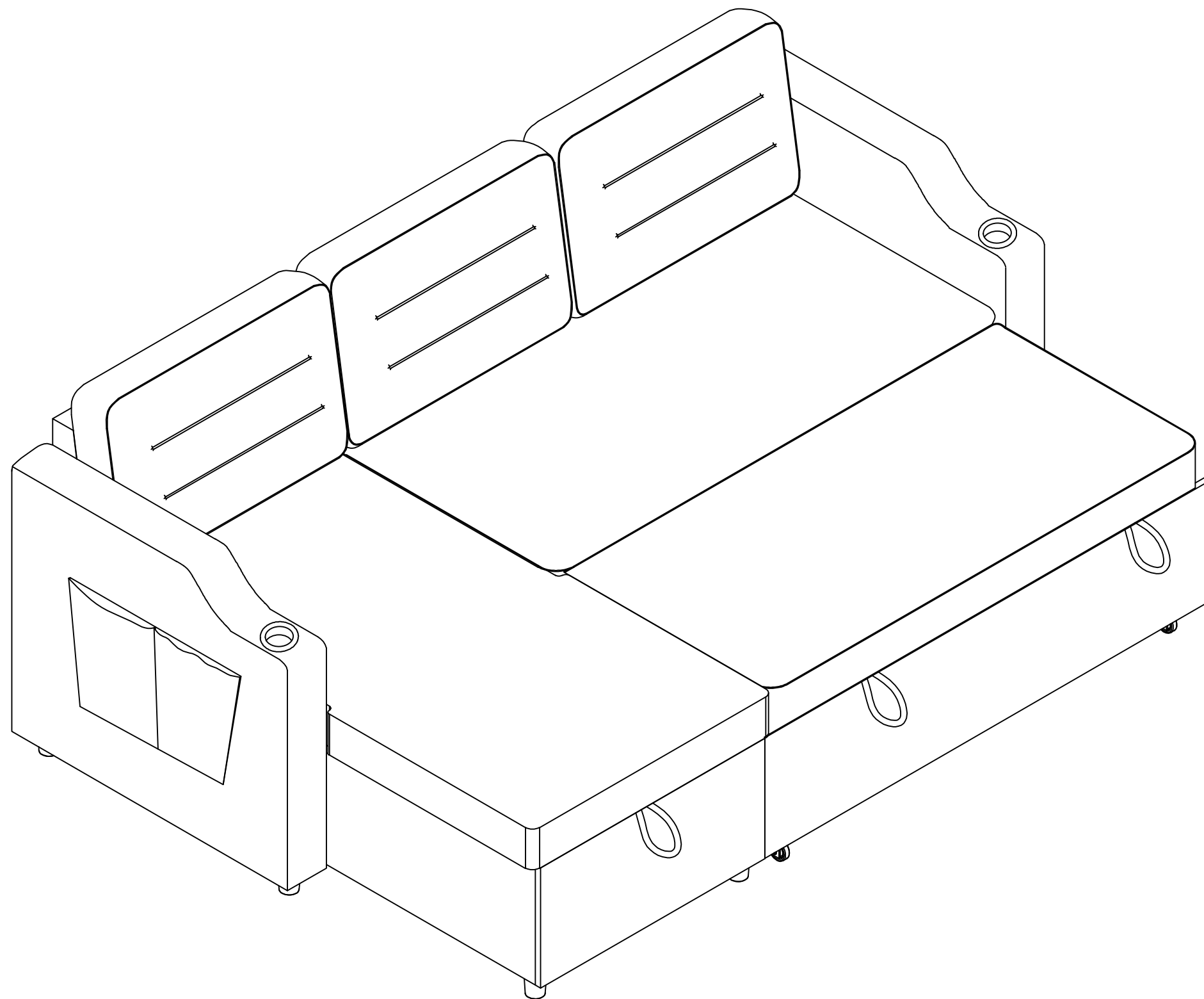
Life it slightly and place it on the track.

## STEP 15



## STEP 16





finished product display