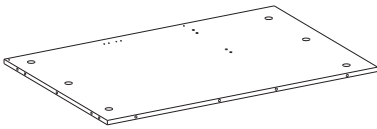


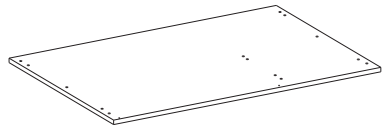
A

× 1



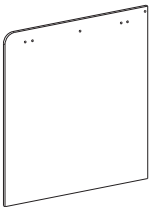
B

× 1



C

× 1



D

× 1



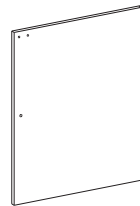
E

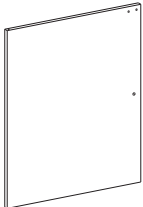
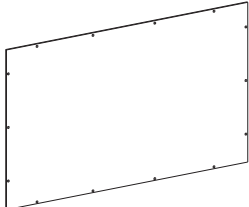


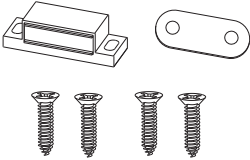





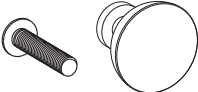
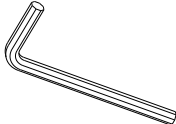
× 1



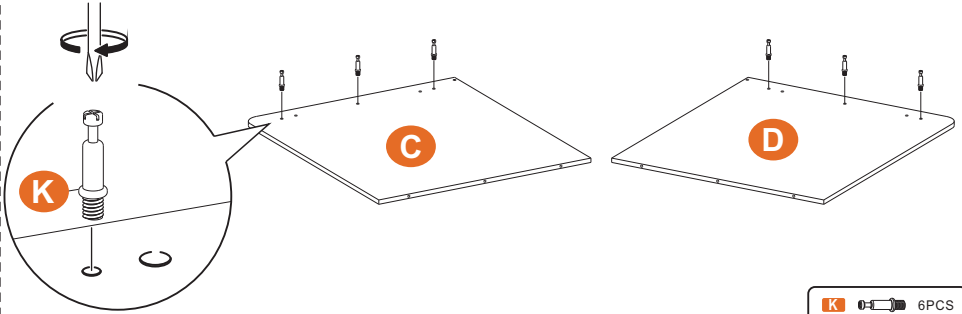
F

× 1

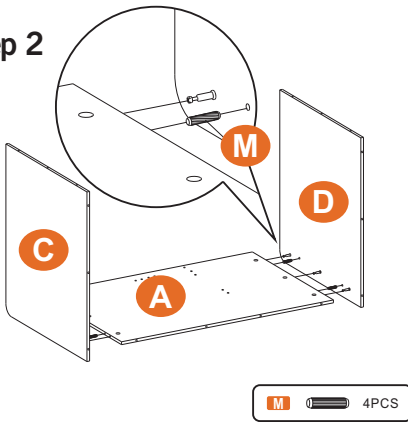


<p>G × 1</p> 	<p>H × 1</p> 	<p>Q × 1</p> 
<p>I × 4</p> 	<p>J × 2</p> 	<p>K 8+1</p> 
<p>L 8+1</p> 	<p>M 15+1</p> 	<p>N × 4</p> 
<p>O 24+1</p> 	<p>P × 2</p> 	<p>R × 1</p> 

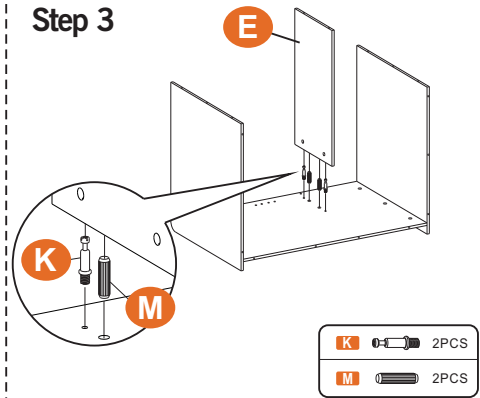
Step 1



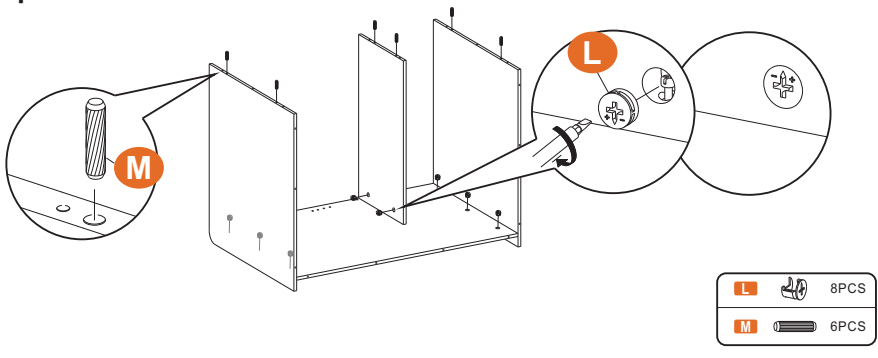
Step 2



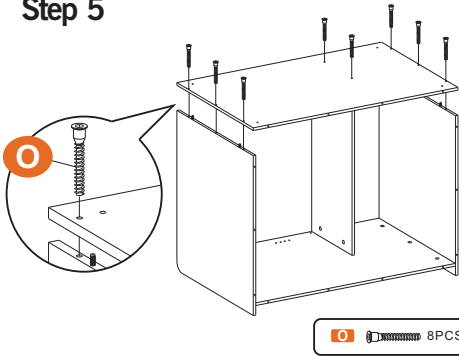
Step 3



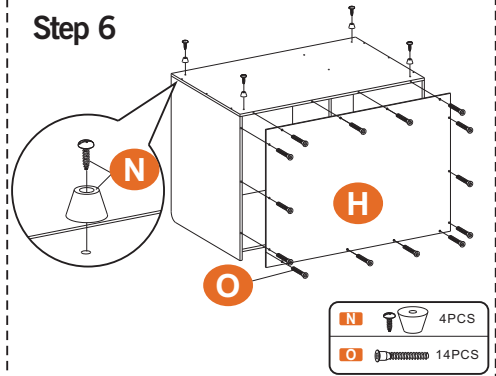
Step 4



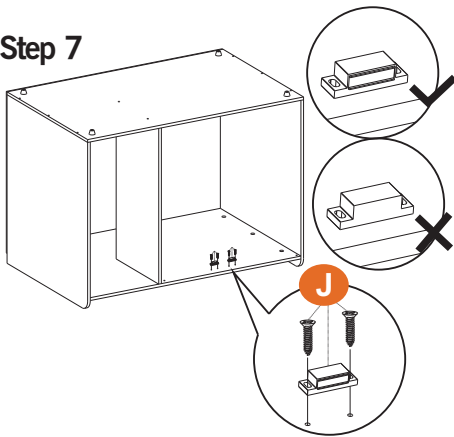
Step 5



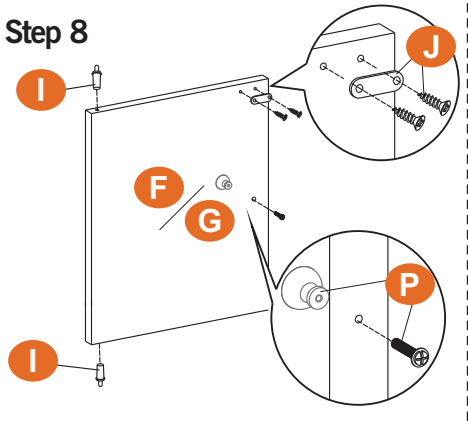
Step 6



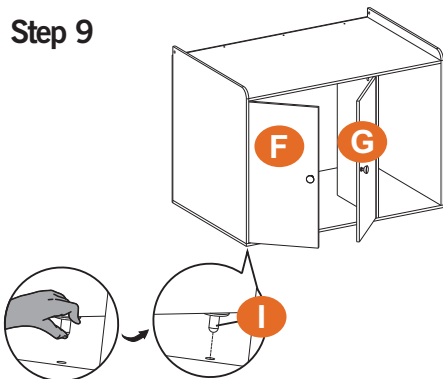
Step 7



Step 8



Step 9



Step 10

