

# ASSEMBLY INSTRUCTION

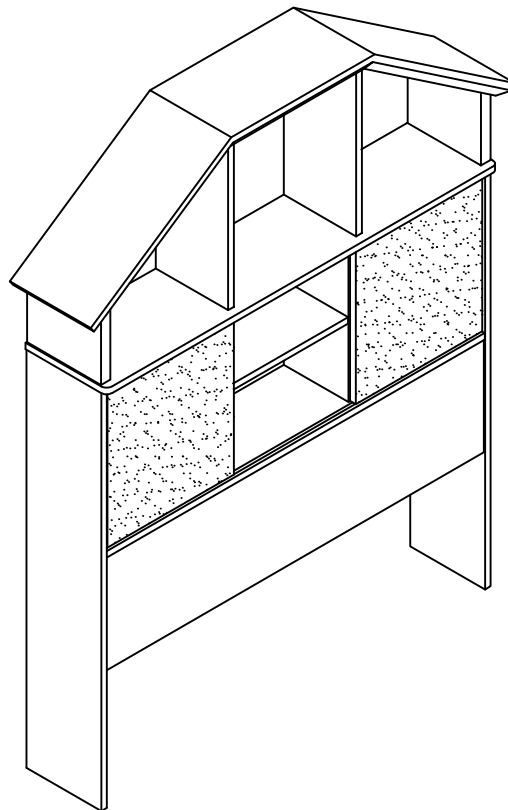
## **PLEASE READ BEFORE ASSEMBLING!**

Tip #1: Make sure you've taken all the pieces and hardware out of its packaging before discarding the box.

Tip #2: Using page 2 and/or page 3 of instruction manual make sure all pieces and hardware are accounted for.

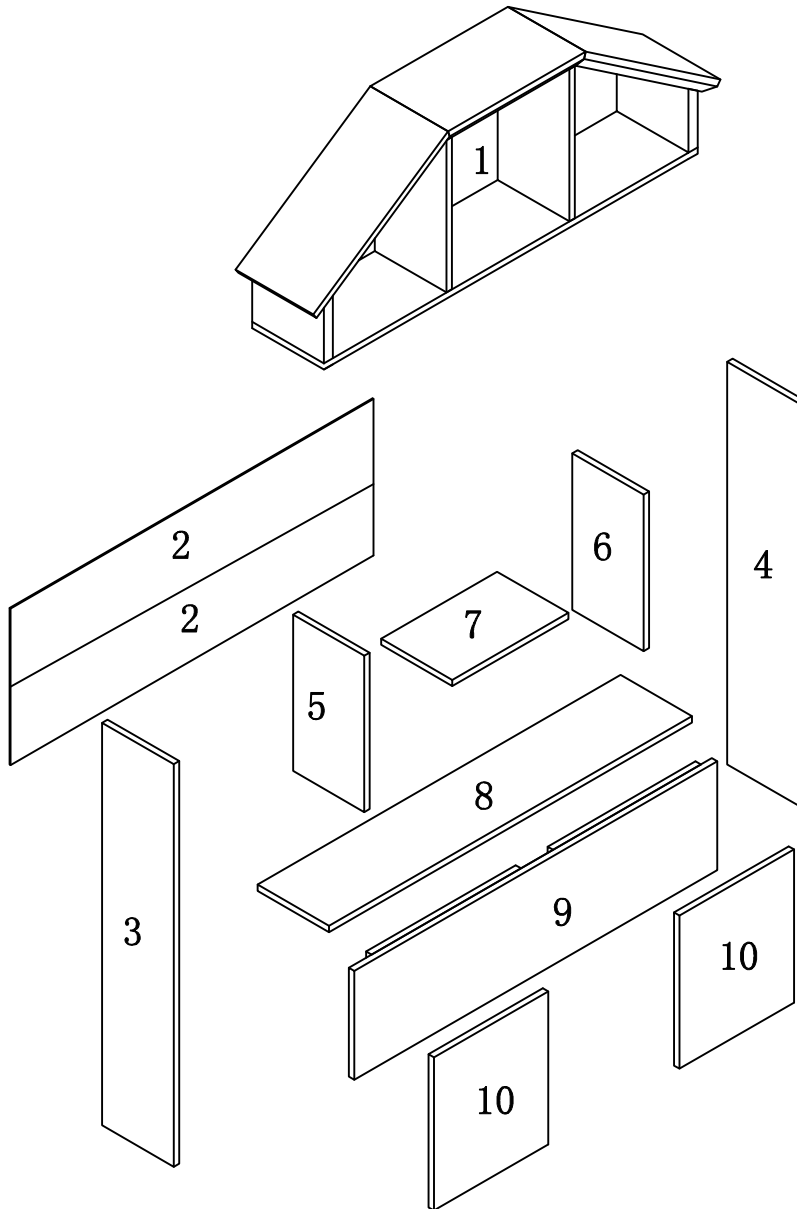
Tip #3: Read manual before assembling, it helps!

ITEM#: Y1301T Y1301F Y1501T Y1501F



# PARTS IDENTIFICATION

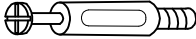


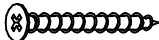






ITEM#: Y1301T Y1301F Y1501T Y1501F



(1)	1pc	(6)	1pc
(2)	2pcs	(7)	1pc
(3)	1pc	(8)	1pc
(4)	1pc	(9)	1pc
(5)	1pc	(10)	2pcs

# HARDWARE IDENTIFICATION

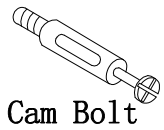
ITEM#: Y1301T Y1301F Y1501T Y1501F

A		L29	16pcs
B		$\phi$ 15	16pcs
C		$\phi$ 8 x 25	12pcs
D		$\phi$ 4 x 30	4pcs
E		$\phi$ 22	10pcs
F			30pcs
G			4pcs
H		$\phi$ 3.5 x 14	32pcs
I		$\phi$ 4 x 35	2pcs
J		Glue: For securing please apply to wood dowel first before inserting into panel	1pc

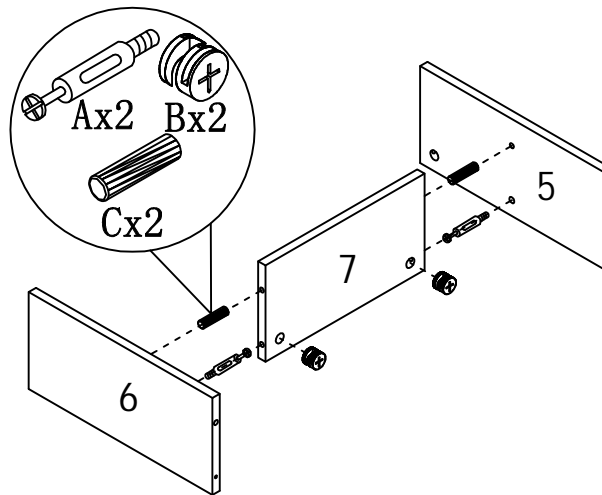
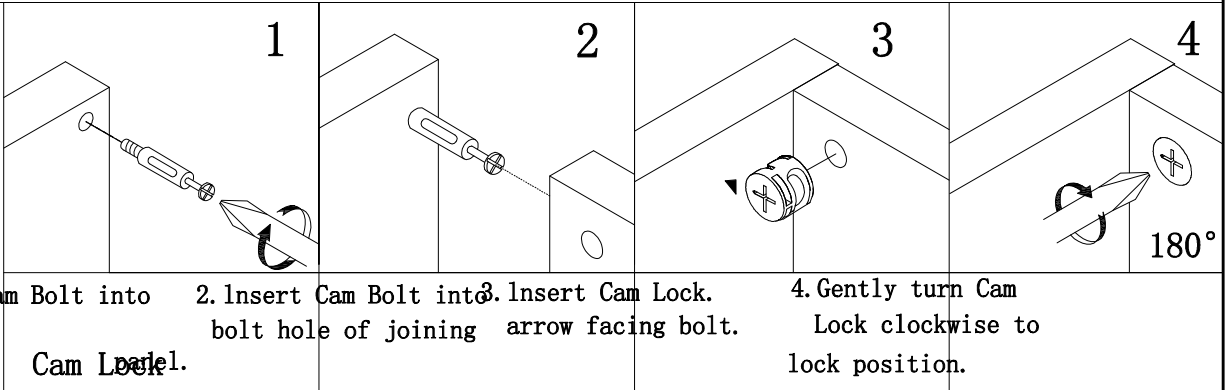
# ASSEMBLY INSTRUCTION

ITEM#: Y1301T Y1301F Y1501T Y1501F

HOW TO

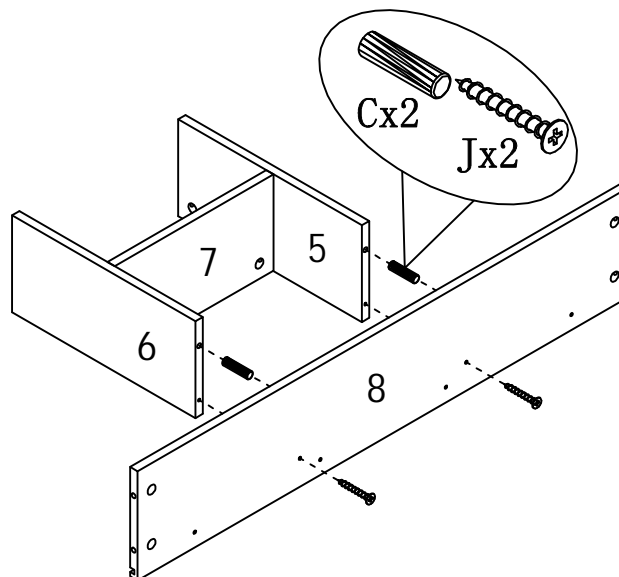


panel.



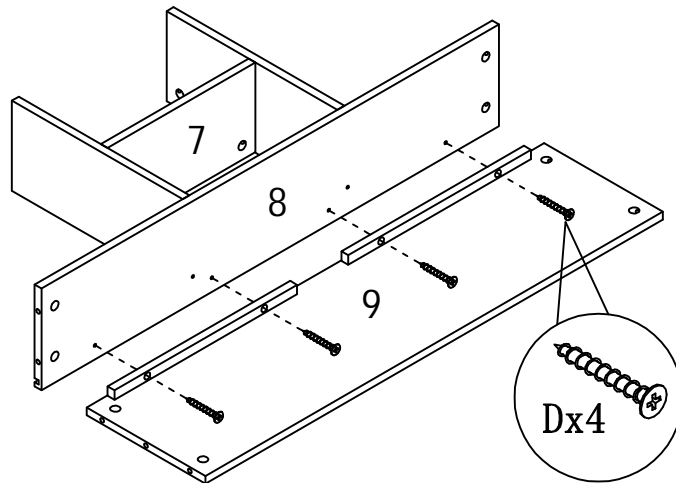
STEP1

STEP2



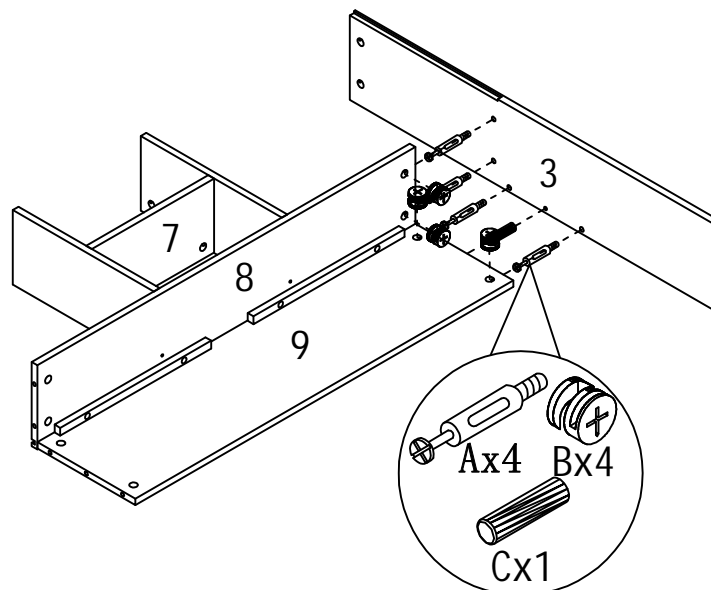
# ASSEMBLY INSTRUCTION

ITEM#:Y1301T Y1301F Y1501T Y1501F



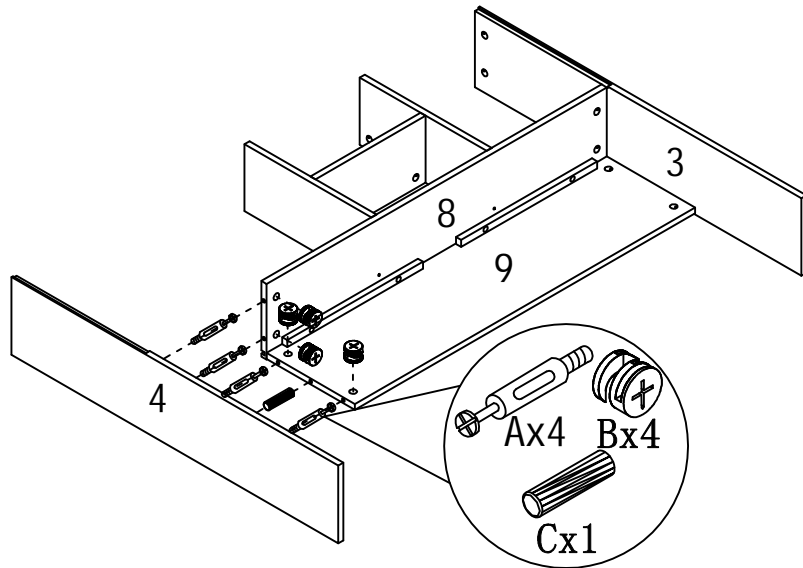
STEP3

STEP4



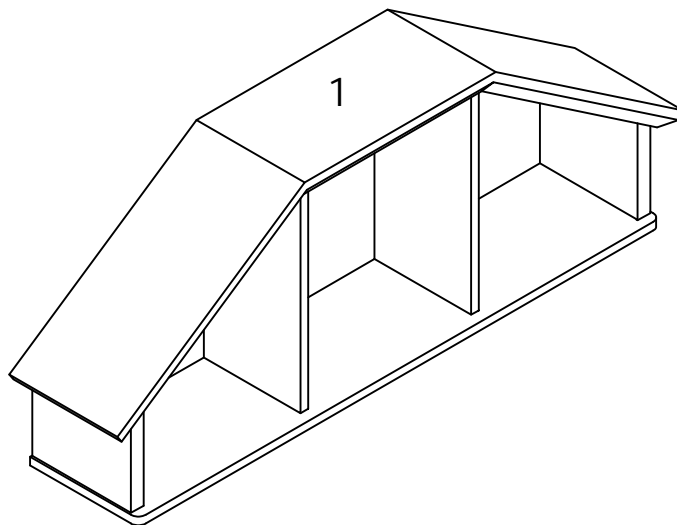
# ASSEMBLY INSTRUCTION

ITEM#: Y1301T Y1301F Y1501T Y1501F



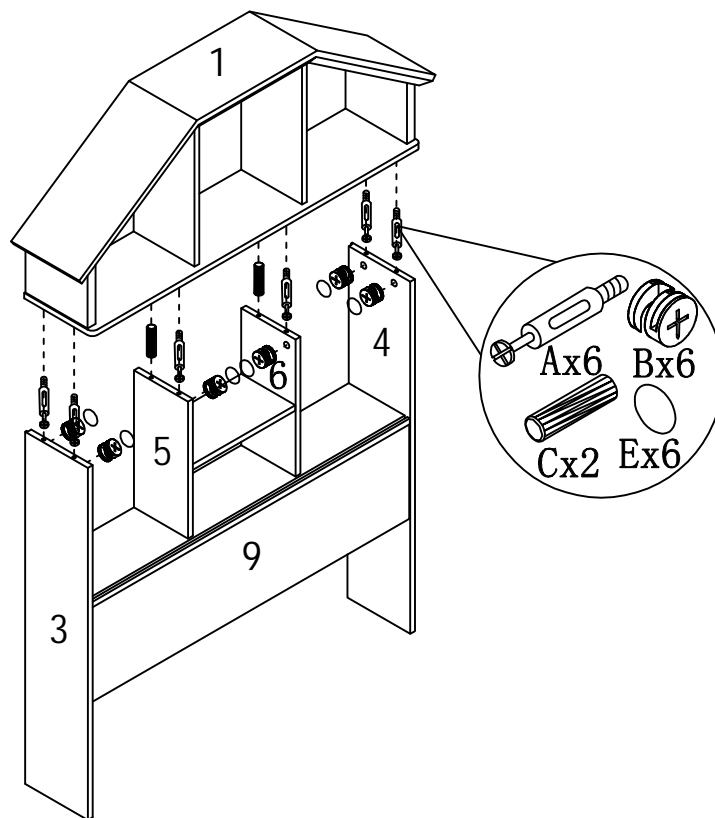
STEP5

STEP6



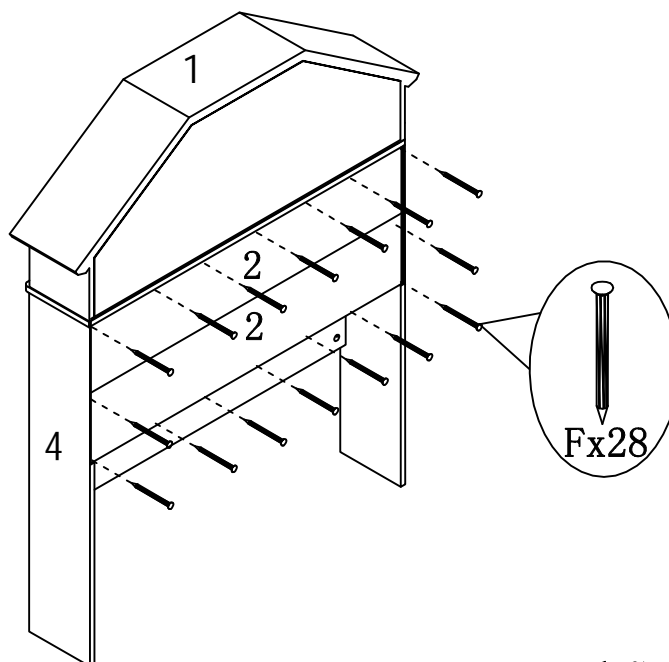
# ASSEMBLY INSTRUCTION

ITEM#:Y1301T Y1301F Y1501T Y1501F



STEP7

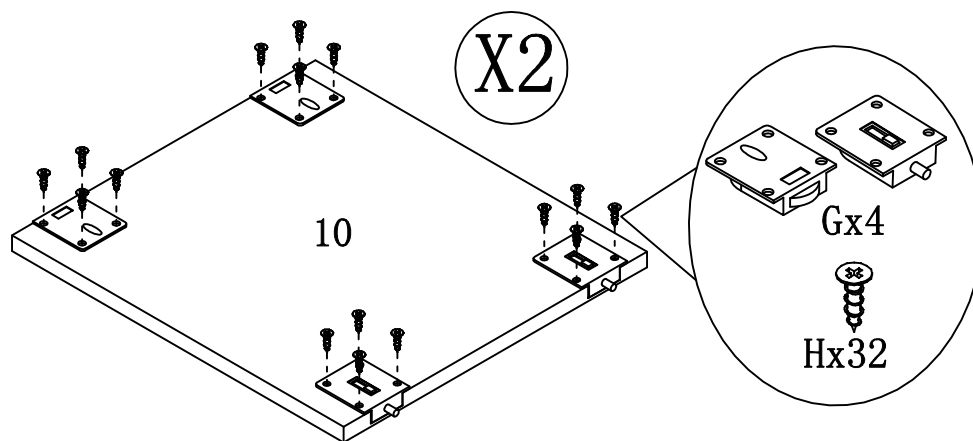
STEP8



PAGE:7 OF 8

# ASSEMBLY INSTRUCTION

ITEM#:Y1301T Y1301F Y1501T Y1501F



STEP9

STEP10

