

**UK
CA** **CE**

IMPORTANT, RETAIN FOR FUTURE REFERENCE: READ CAREFULLY

ASSEMBLY INSTRUCTION



EN: **WARNING:** Age for 3-6 years. Maximum loading weight:60kgs.

Only allowed for adults to install, keep children away.

DE: **Warnung:** Alter für 3-6 Jahre. Maximales Ladegewicht: 60 kg.

Nur für Erwachsene installieren, Kinder fernhalten.

FR: **Attention:** Âge de 3 à 6 ans. Poids de chargement maximum: 60kgs .

Seulement autorisé pour les adultes à installer, éloigner les enfants.







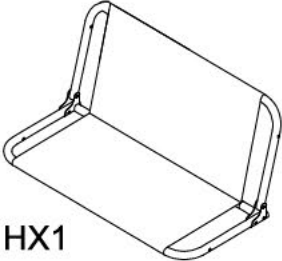
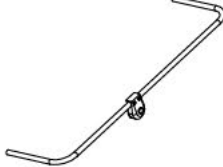



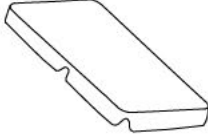




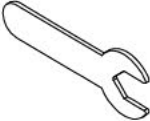



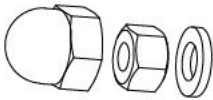
ES: **Advertencia:** Età per 3-6 anni .Peso massimo di carico: 60 kg.

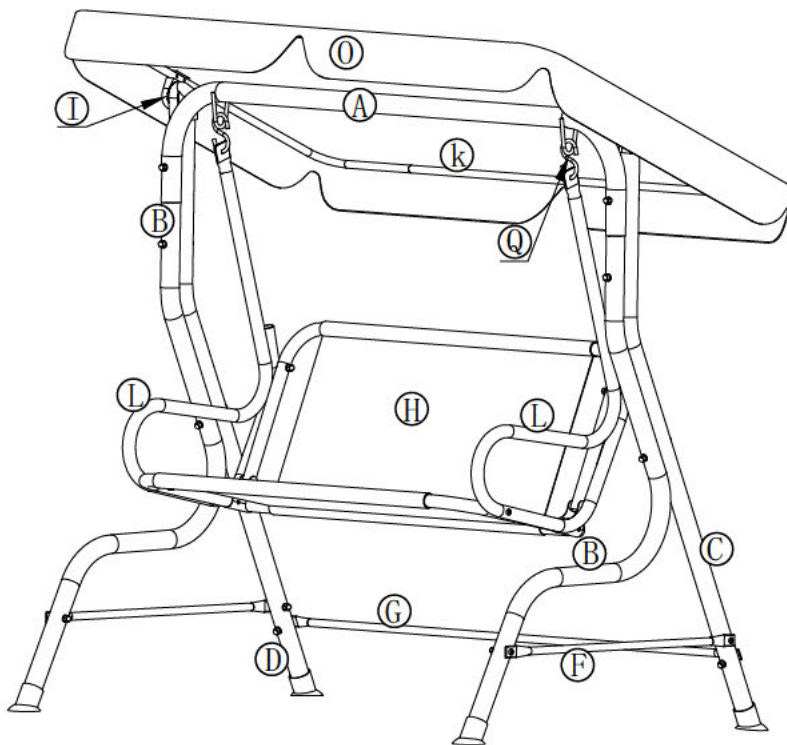
Solo se permite la instalaci3n de adultos. Mantenga a los ni1os alejados.

IT: **Attenzione:** Età per 3-6 anni. Peso massimo di carico: 60 kg.

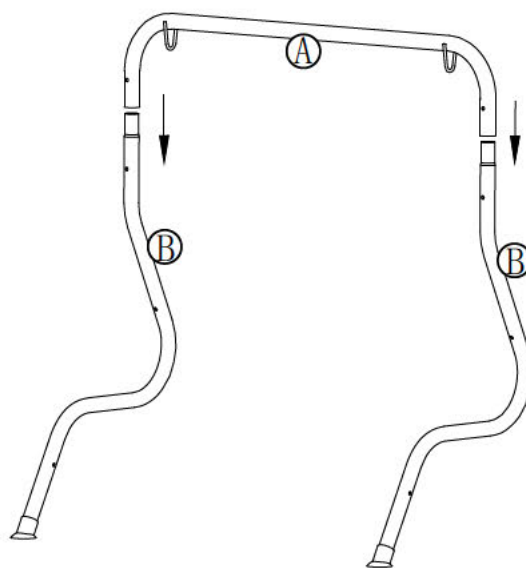
Consentito solo agli adulti di installare, tenere lontano I bambini.

**PART
LIST**

 AX1	 BX2	 CX1	 DX1	
 FX2	 GX1	 HX1	 IX1	
 JX1	 KX2	 LX2	 OX1	
 SX6	 PX2	 QX2	 RX1	
 TX1	 M6X45 E1X6	 M6X50 E2X4	 M6X72 E3X6	 H1X16

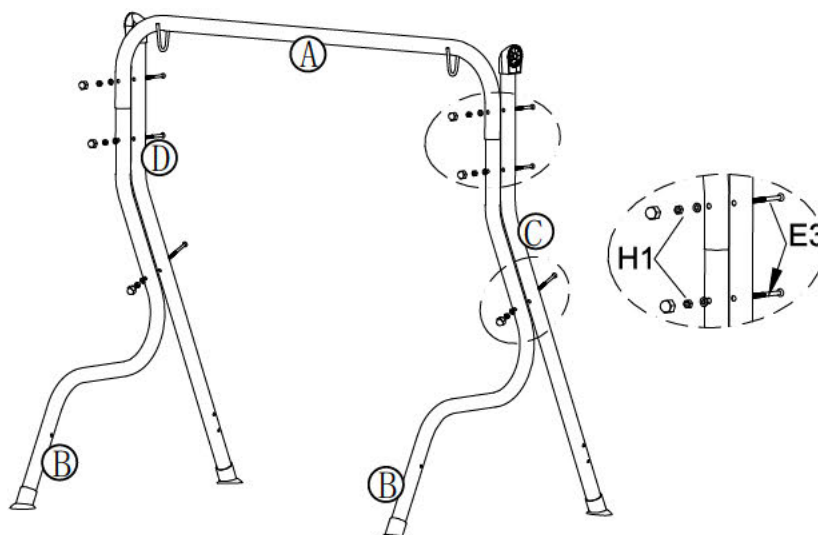


01



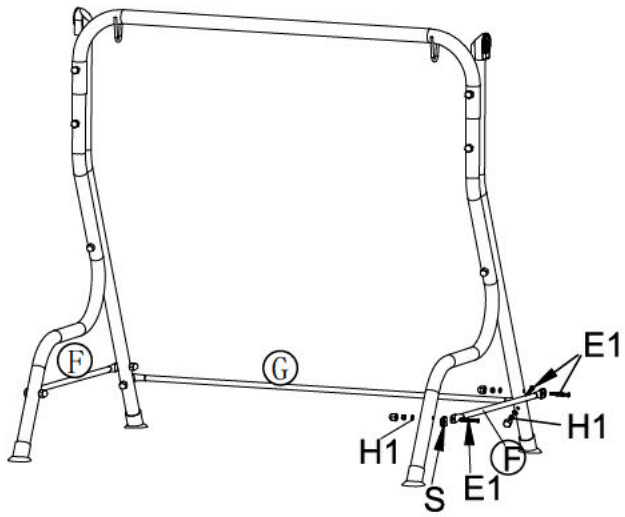
02

E3	X6
H1	X6



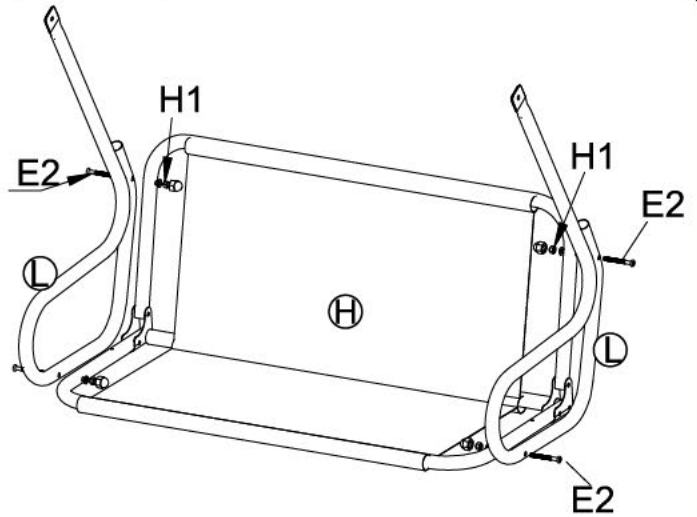
03

E1	x6
H1	x6

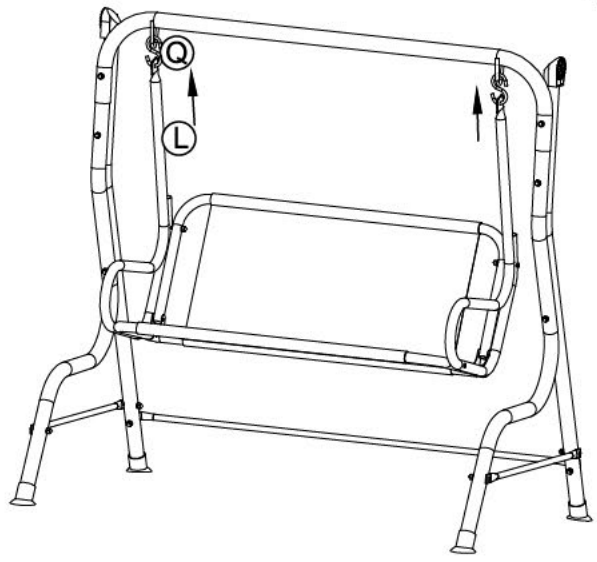


04

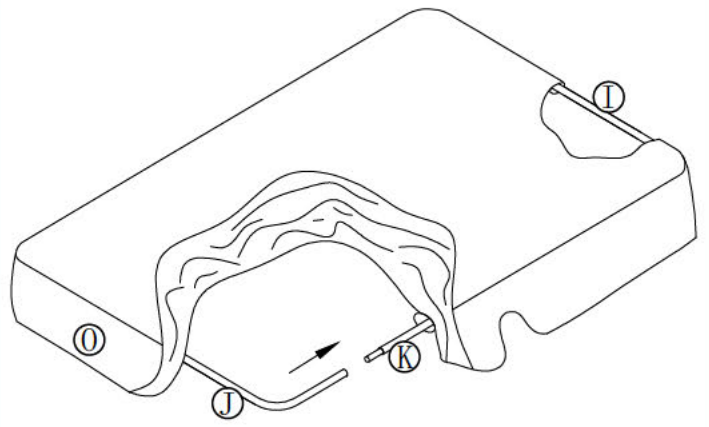
E2	x4
H1	x4



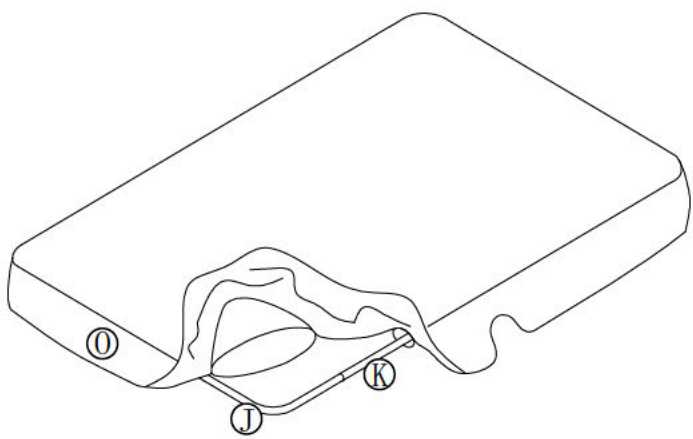
05



06



07



08

