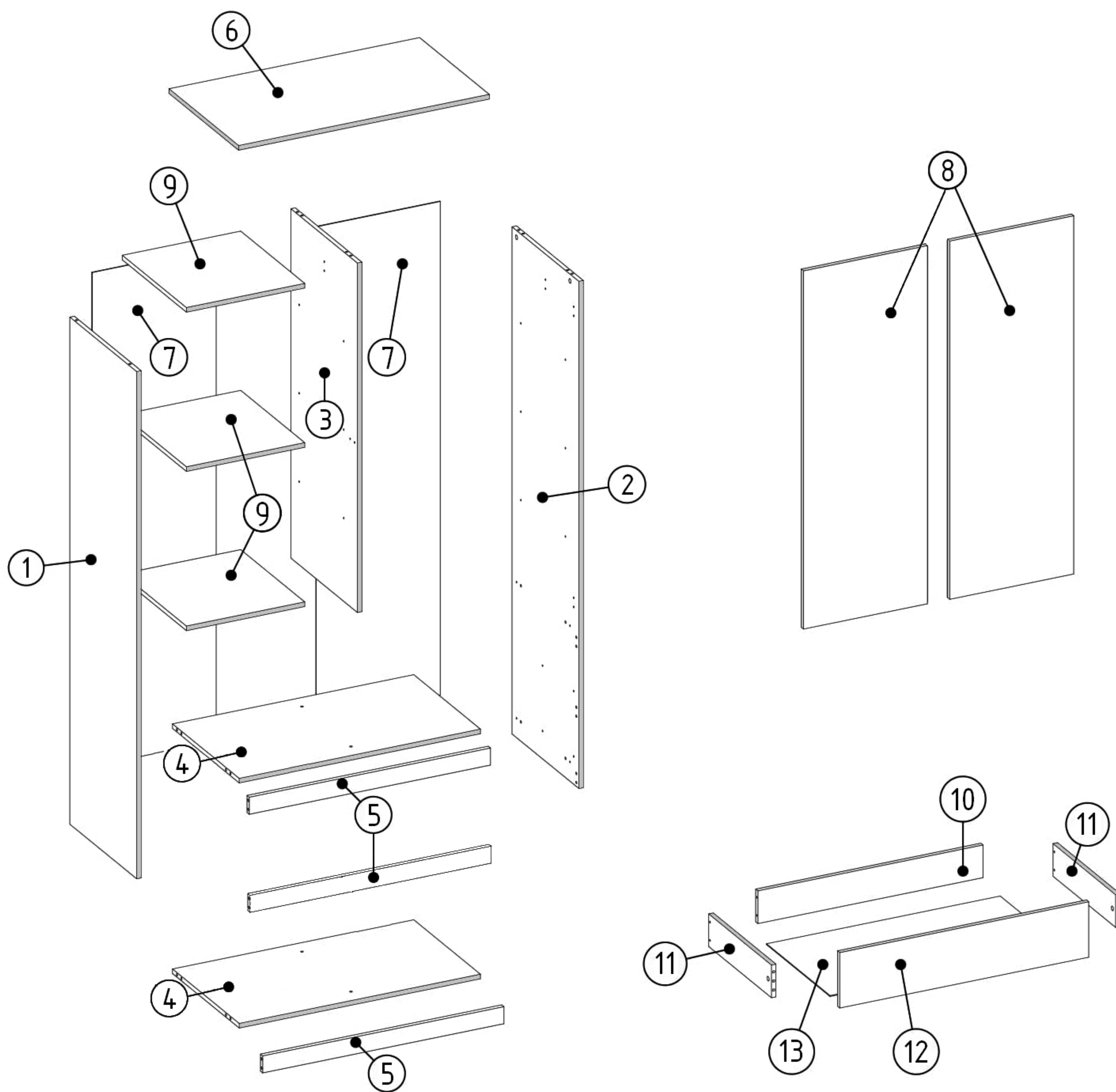




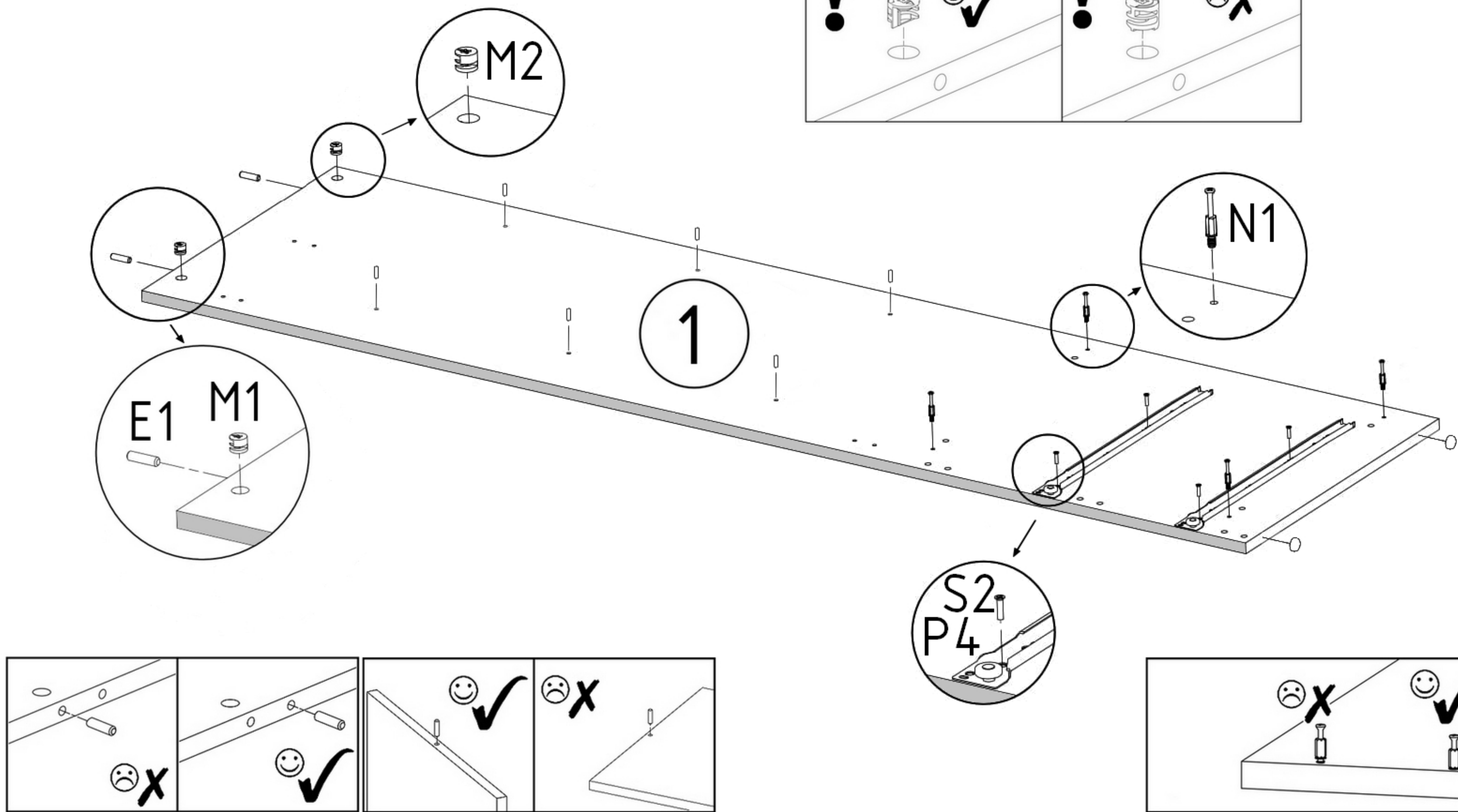
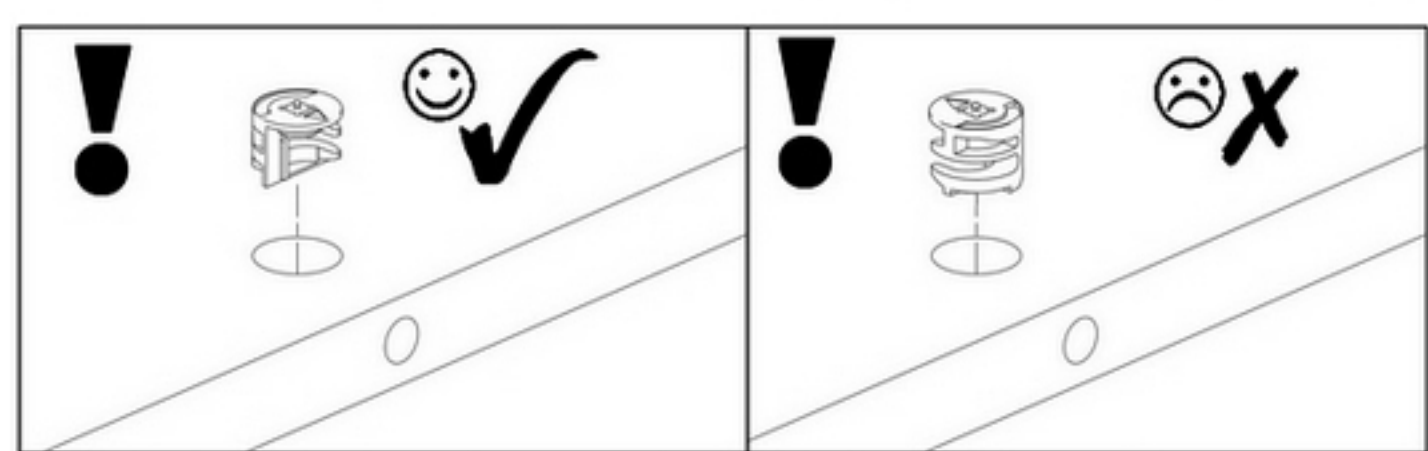
<b>U5</b>  L=414mm x 1	<b>K2</b>  x1	<b>T3</b>  x2	<b>E4</b>  L=43 mm x 8	 x 1			
<b>N1</b>  L=35mm x 18	<b>M1</b>  12x15mm x 18	<b>U4</b>  x2	<b>S1</b>  3,5x16mm x 18	<b>E1</b>  8x30mm x 34	<b>K7</b>  L=16mm x 12	<b>S7</b>  2,5x20 mm x 5	<b>Z4</b>  x5
<b>P4</b>  L=400mm x 2	<b>Z1</b>  x100	<b>S2</b>  6x8mm x 12	<b>T1</b>  x4	<b>M2</b>  ø16mm x 10	<b>A1</b>  ZP x 4	<b>F1</b>  7x50mm x 2	<b>K1</b>  x1

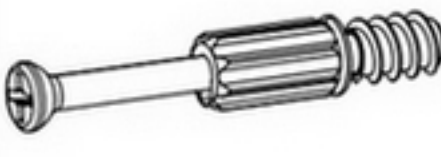




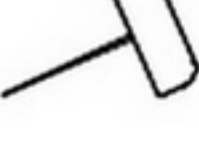


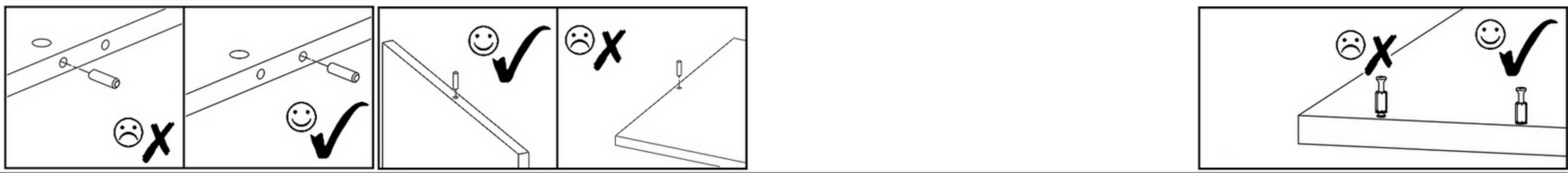
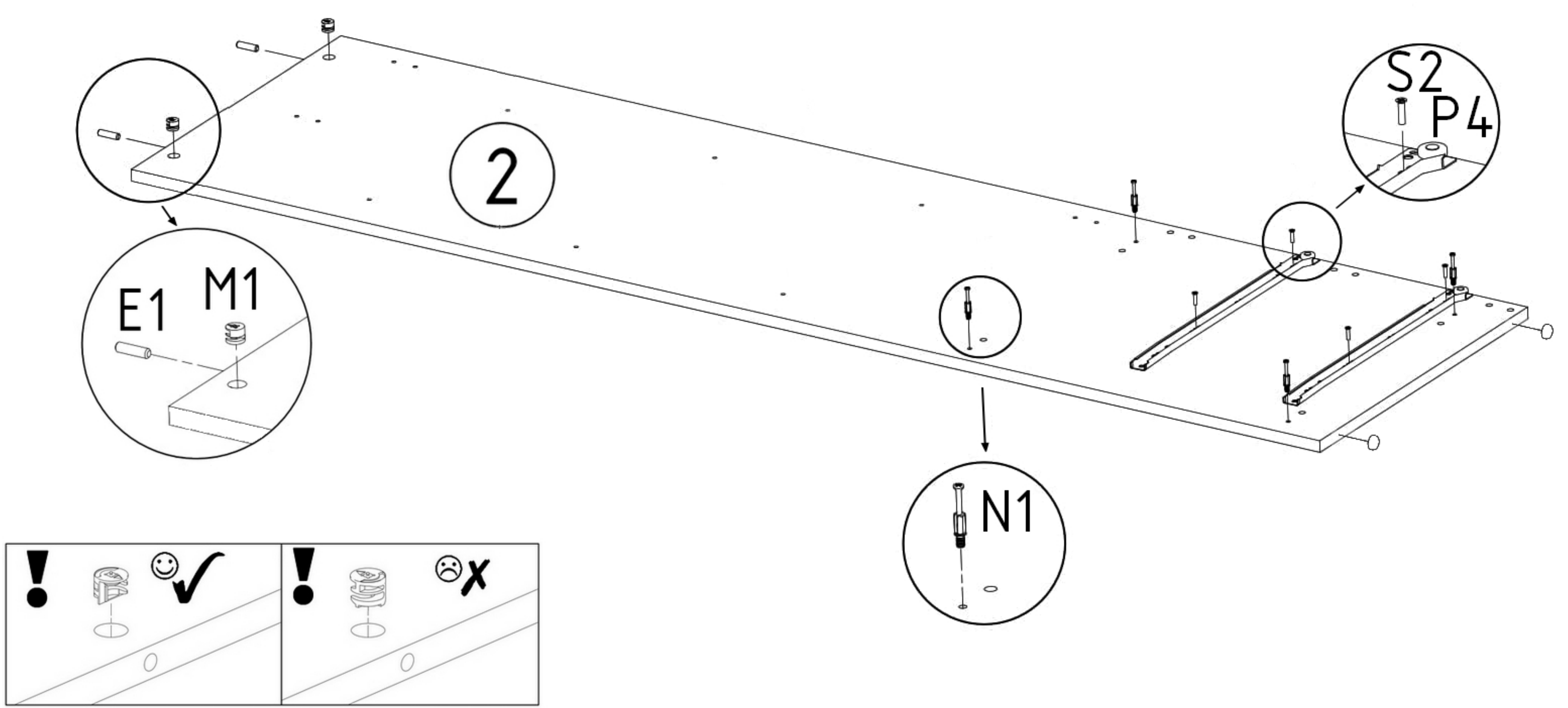
<b>1</b>	x	1
<b>2</b>	x	1
<b>3</b>	x	1
<b>4</b>	x	2
<b>5</b>	x	3
<b>6</b>	x	1
<b>7</b>	x	2
<b>8</b>	x	2


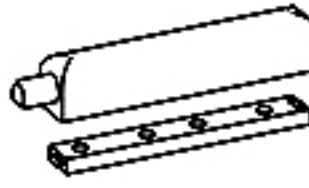


<b>9</b>	x	3
<b>10</b>	x	2
<b>11</b>	x	4
<b>12</b>	x	2
<b>13</b>	x	2

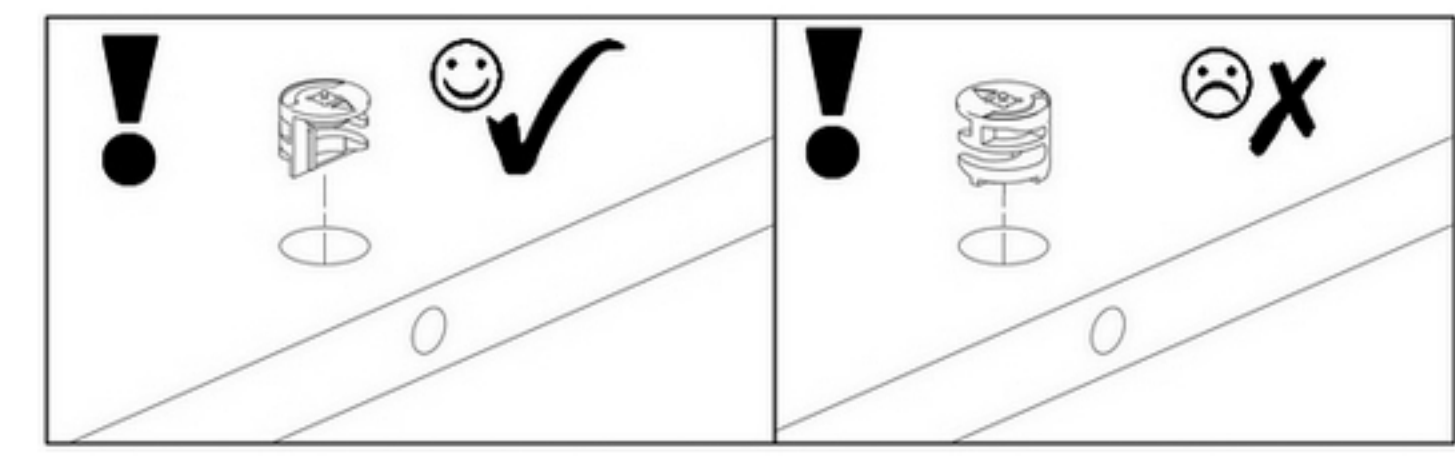
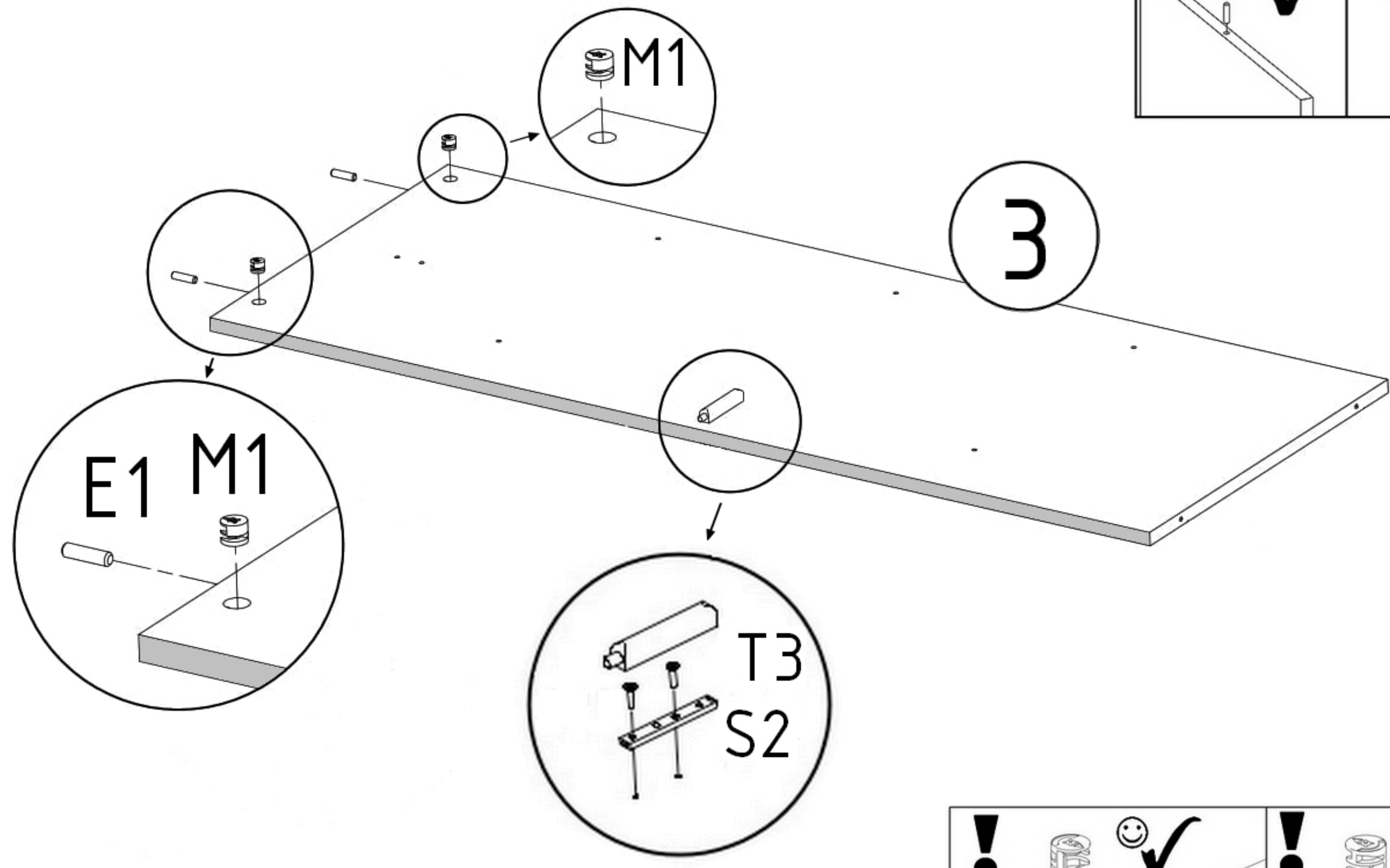
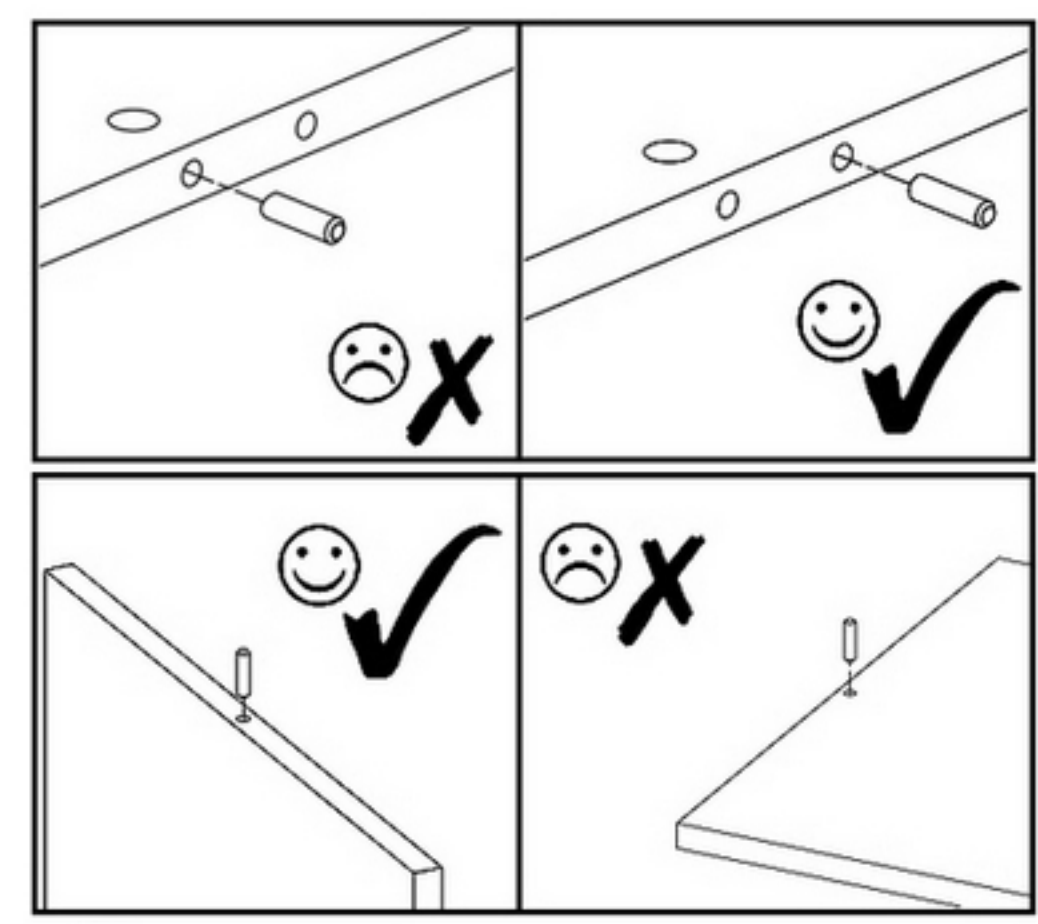
<b>N1</b>  L=35mm X4	<b>M1</b>  12x15mm X2	<b>P4</b>  L=400mm X2	<b>S2</b>  6x8mm X4	<b>E1</b>  8x30mm X2	<b>K7</b>  L=16mm X6	<b>T1</b>  X2
--	--	--	--	---	---	--

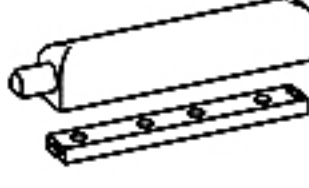
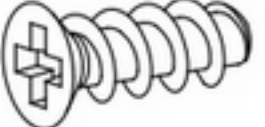



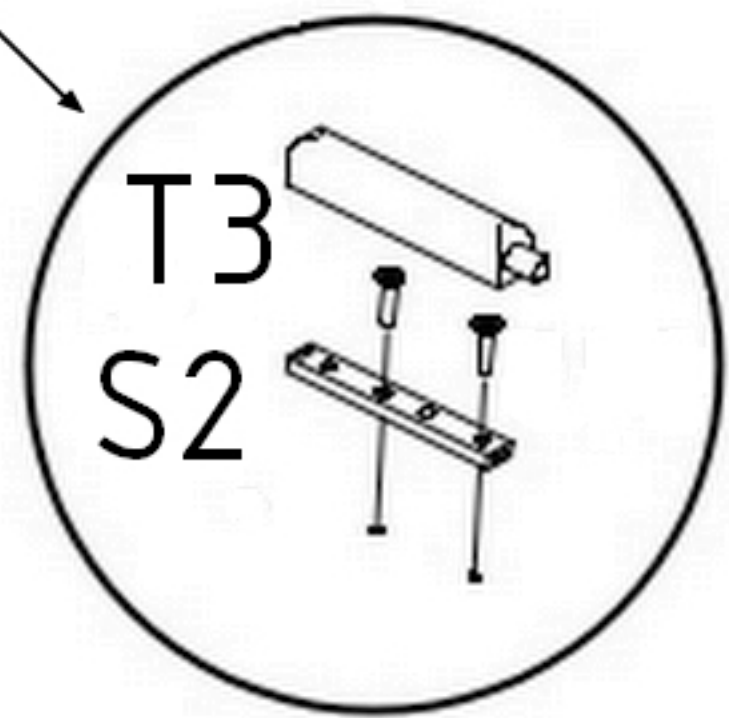
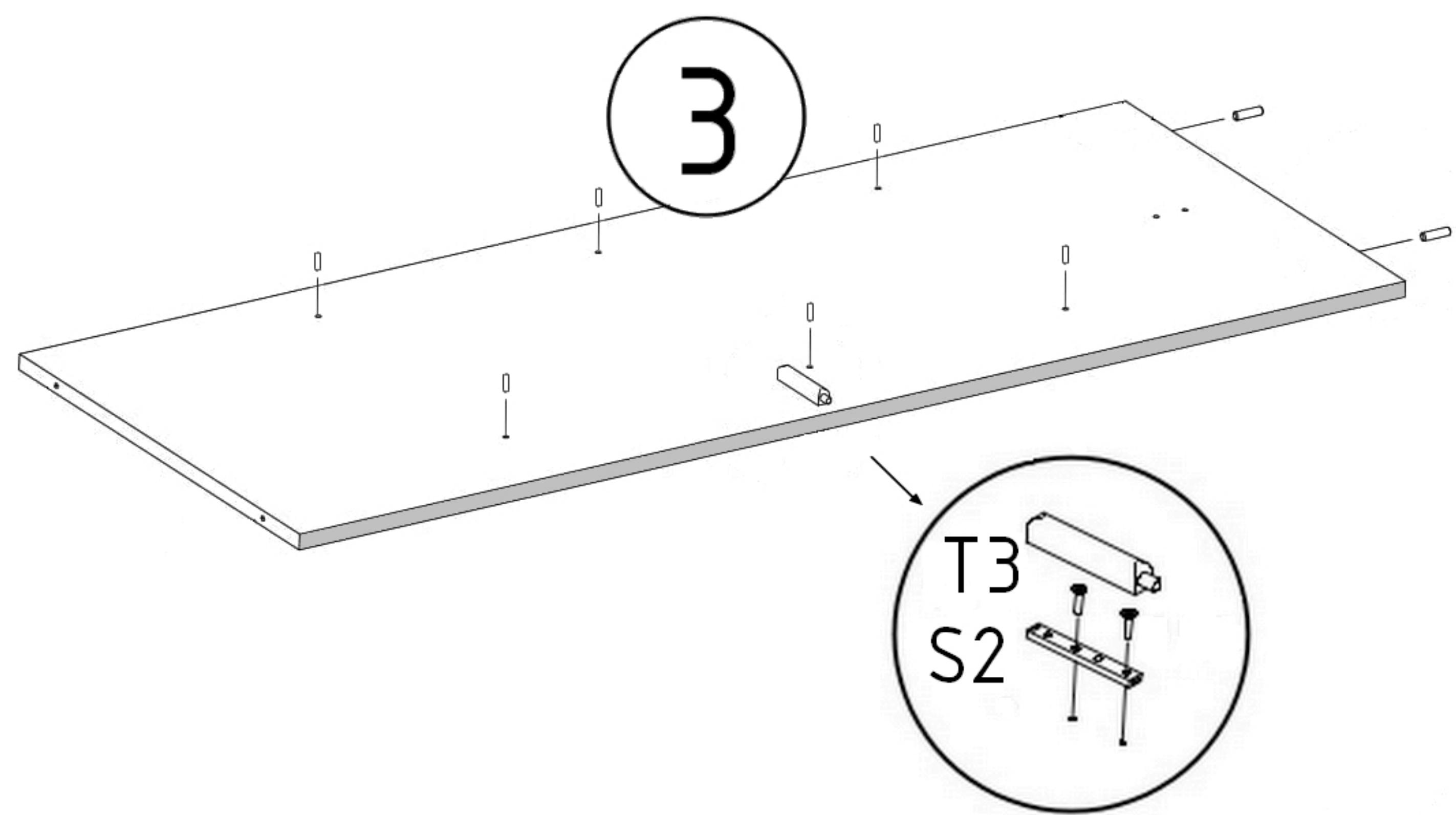
<b>N1</b>  L=35mm X4	<b>M1</b>  12x15mm X2	<b>P4</b>  L=400mm X2	<b>S2</b>  6x8mm X4	<b>E1</b>  8x30mm X2	<b>T1</b>  X2
--	--	--	--	---	--


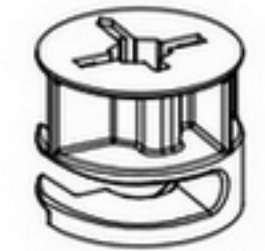


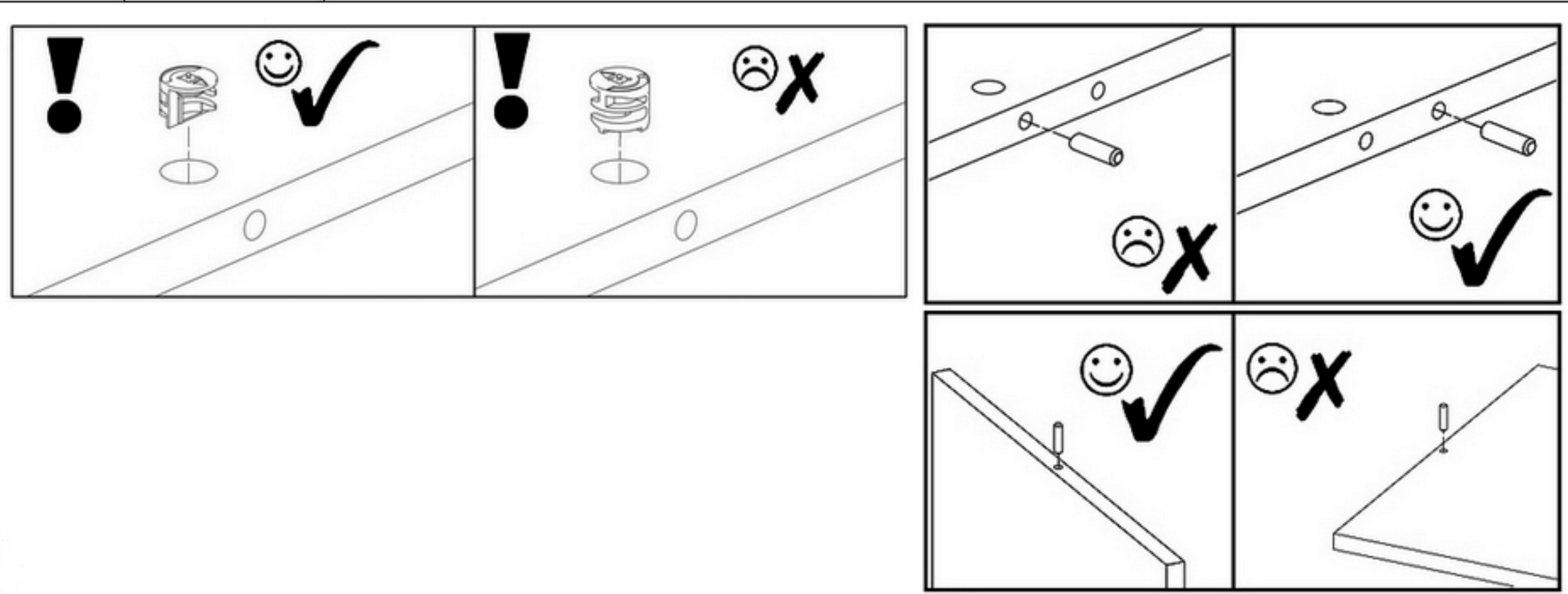
<b>M1</b>  12x15mm x2	<b>T3</b>  x1	<b>S2</b>  6x8mm x2	<b>E1</b>  8x30mm x2
--	--	--	--



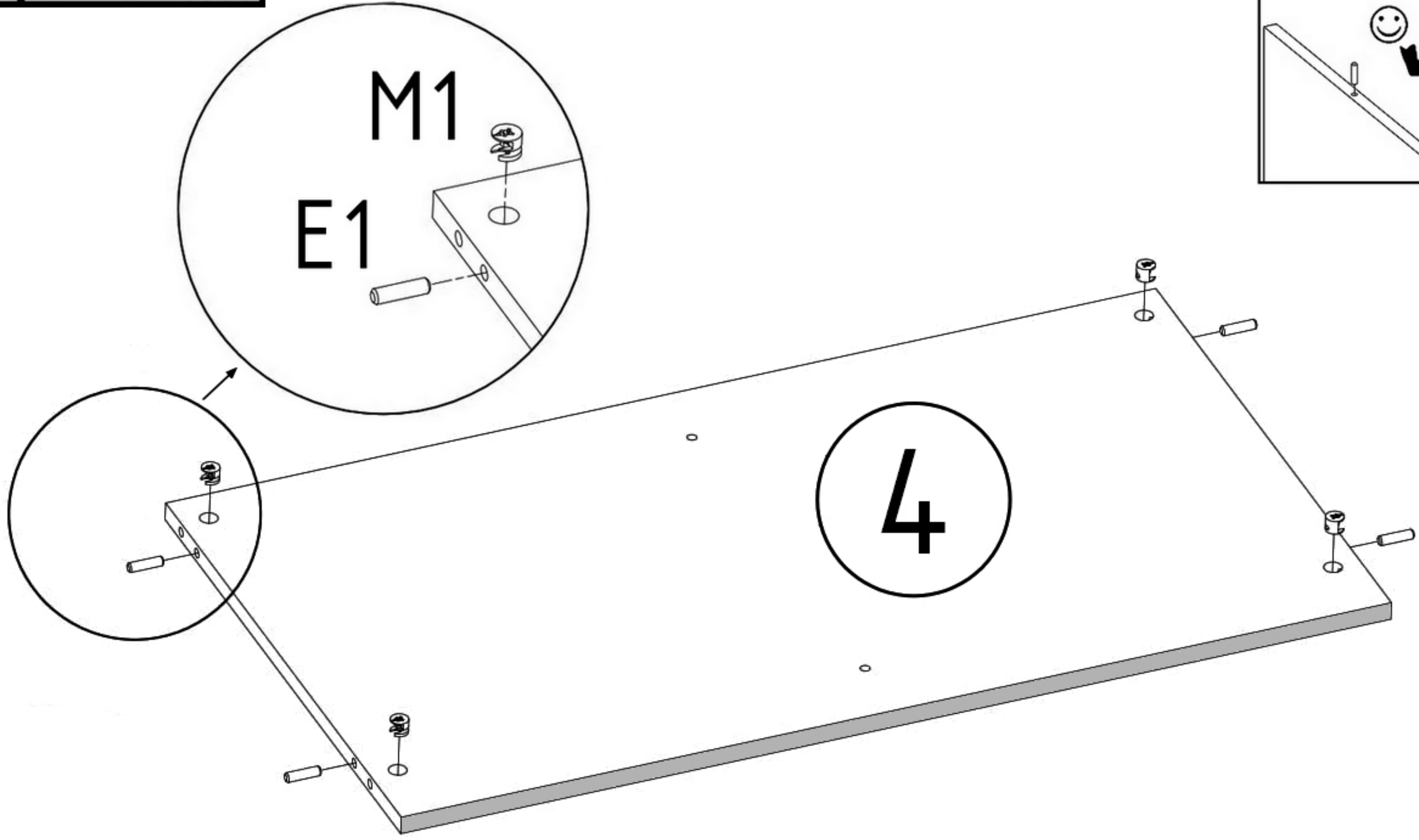
<b>T3</b>  x1	<b>S2</b>  6x8mm x2	<b>K7</b>  L=16mm x6
---	--	---





<b>E1</b>  8x30mm x8	<b>M1</b>  12x15mm x8
--	--

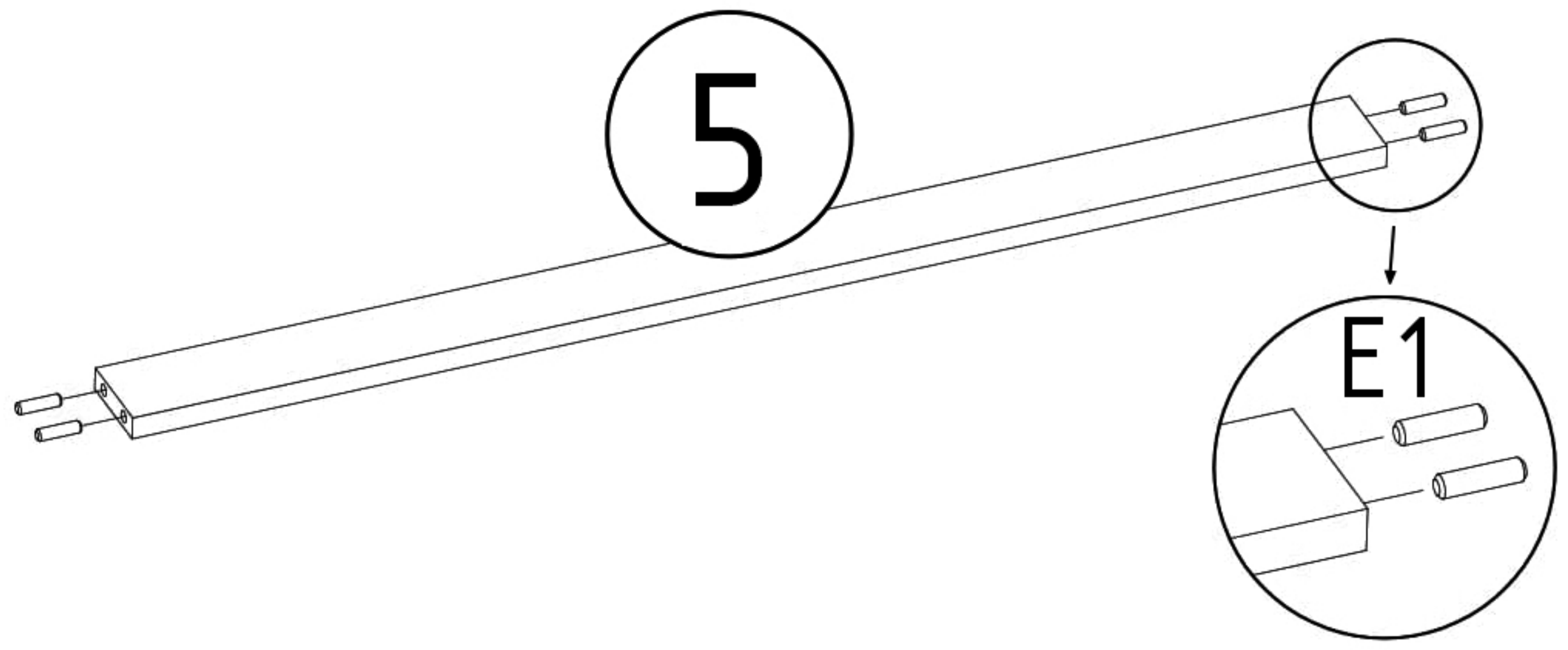


Diagrams illustrating correct and incorrect placement of fasteners. The top row shows a fastener being placed on the surface (marked with a sad face and 'X') versus being placed in a pre-drilled hole (marked with a smiley face and checkmark). The bottom row shows a fastener being placed on the edge (marked with a sad face and 'X') versus being placed in a pre-drilled hole on the edge (marked with a smiley face and checkmark).



x2

<b>E1</b>  8x30mm x12	 GLUE x1
---	--



x3

<b>N1</b>  L=35mm x6
--

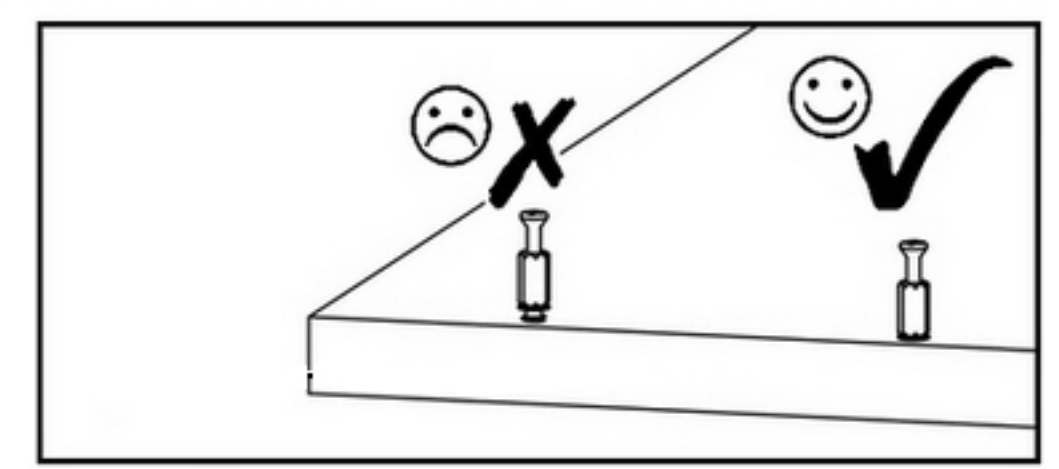
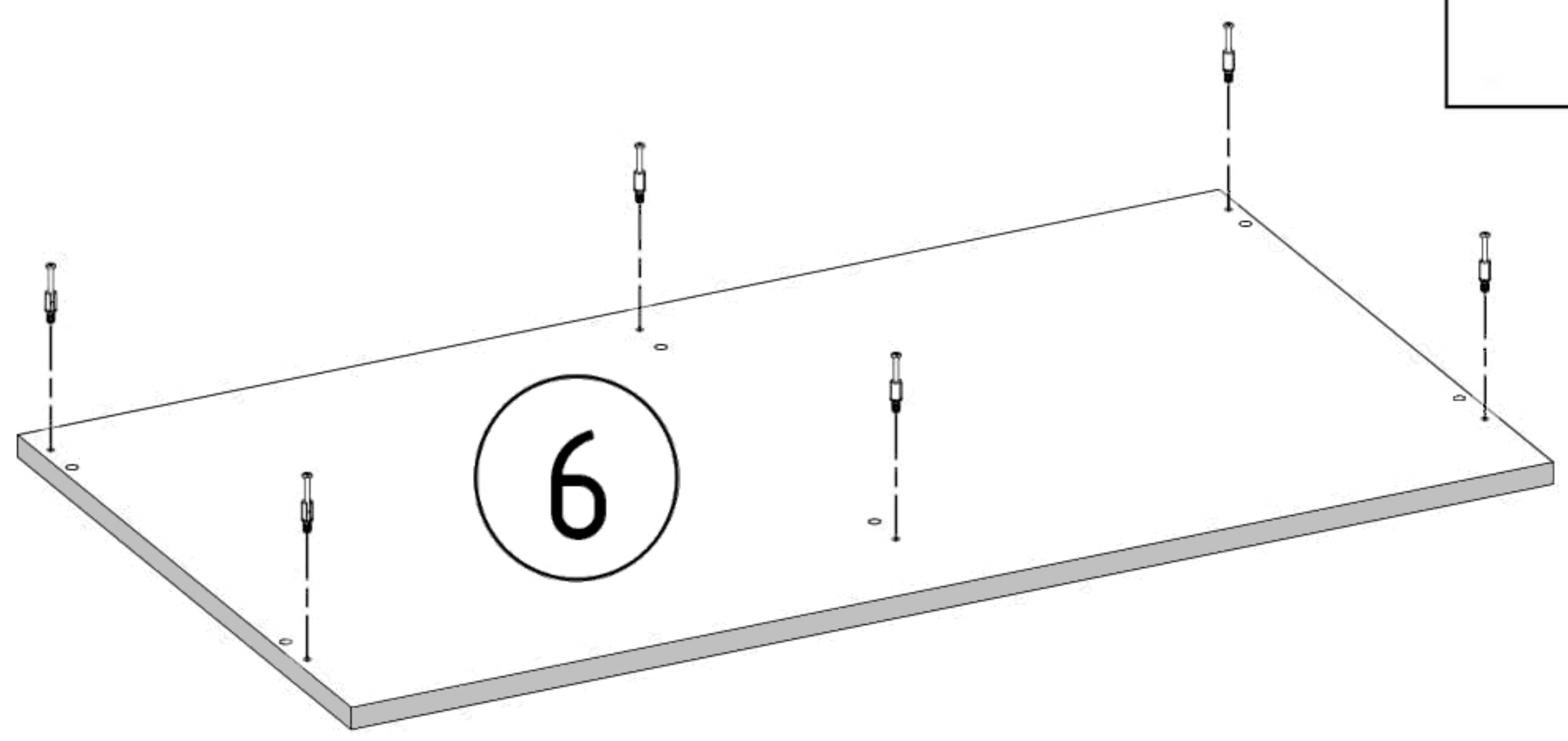
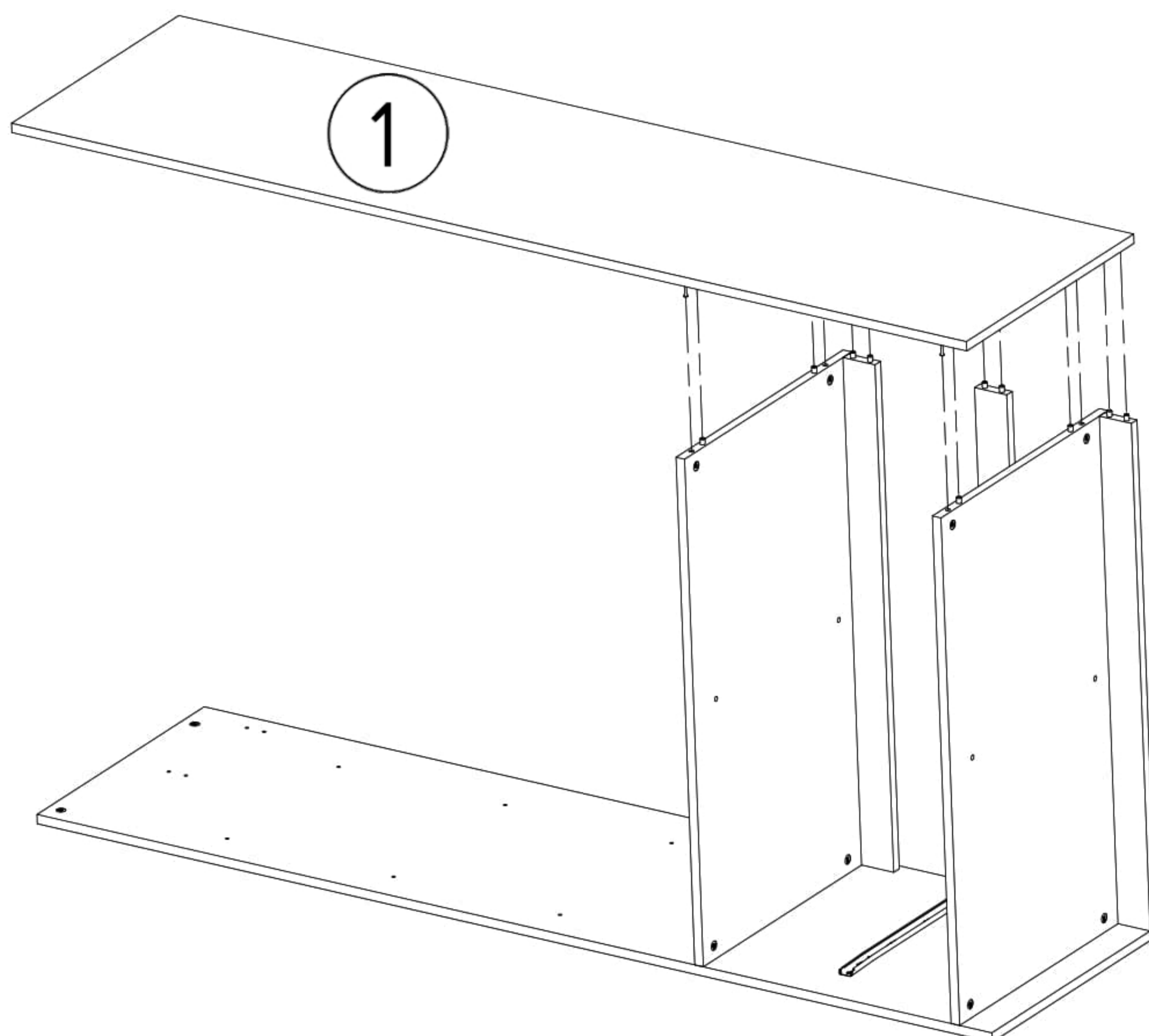
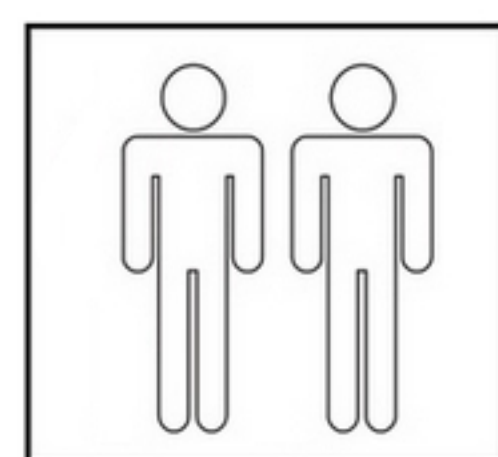
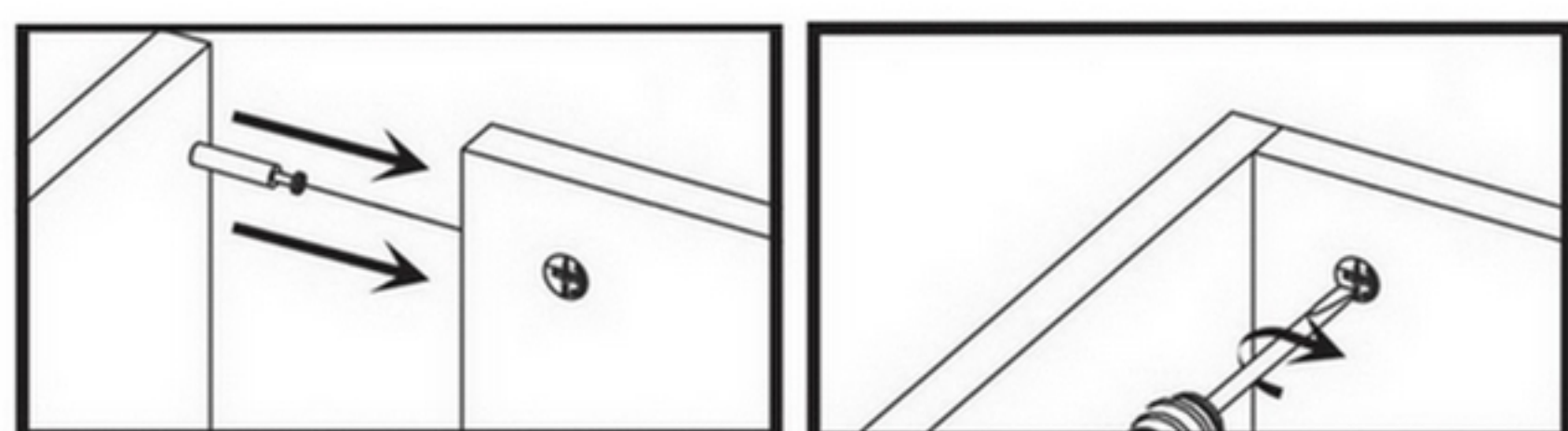
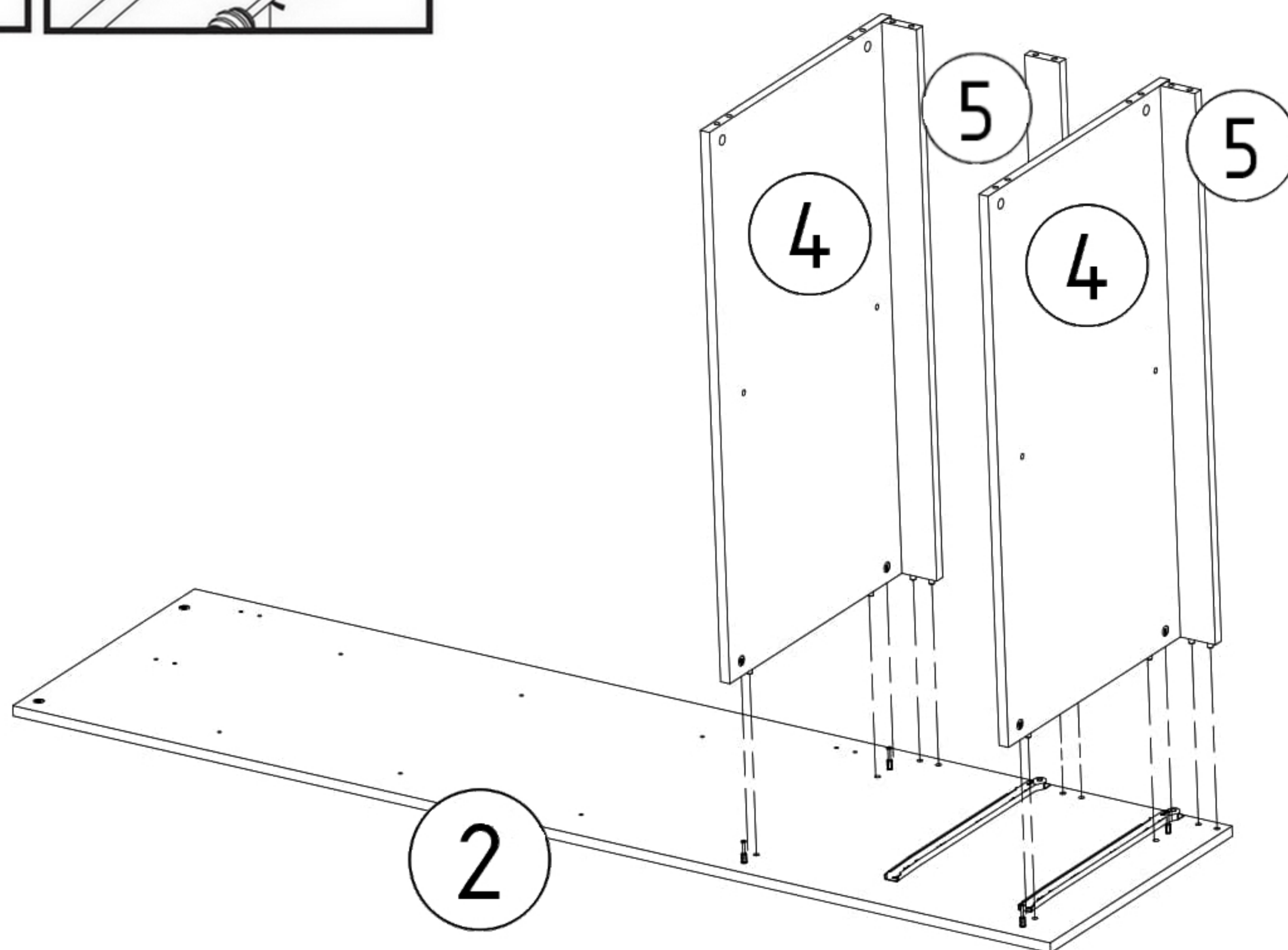
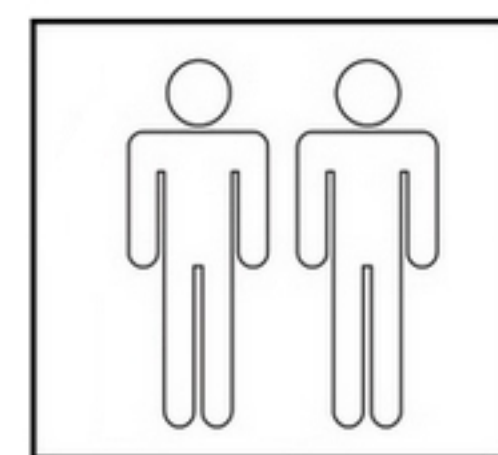
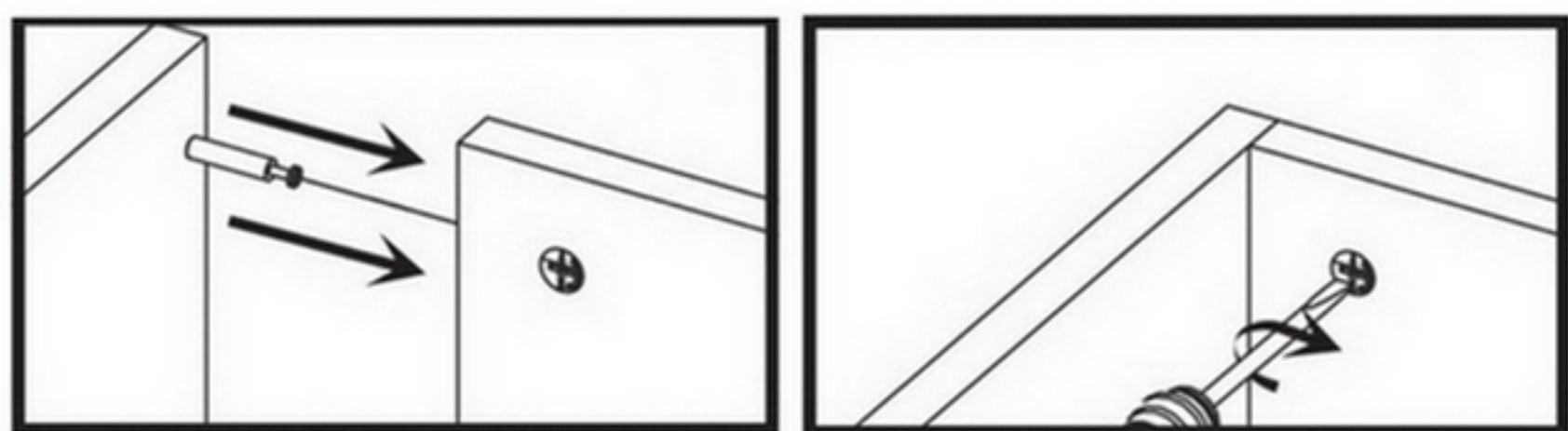
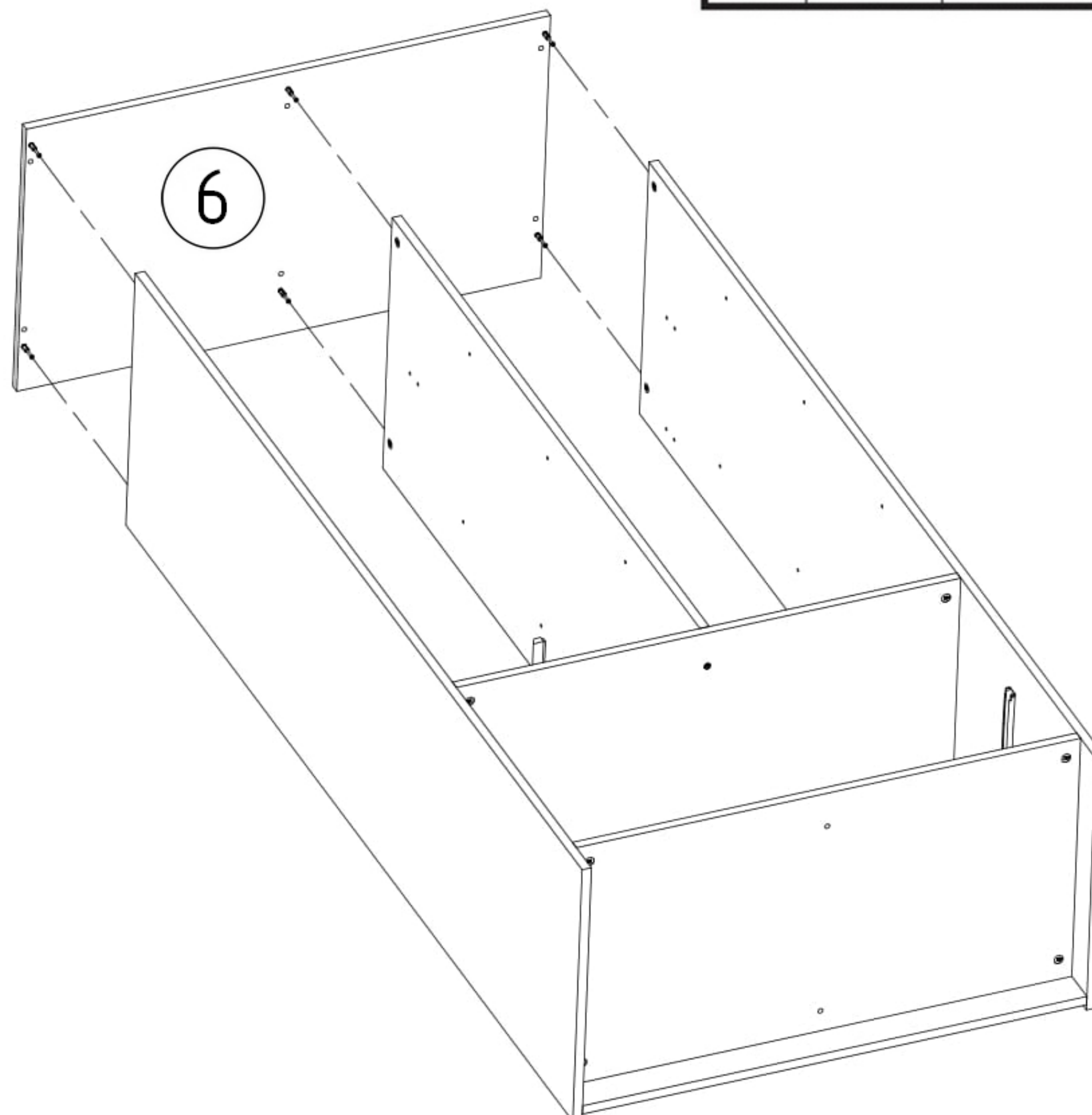
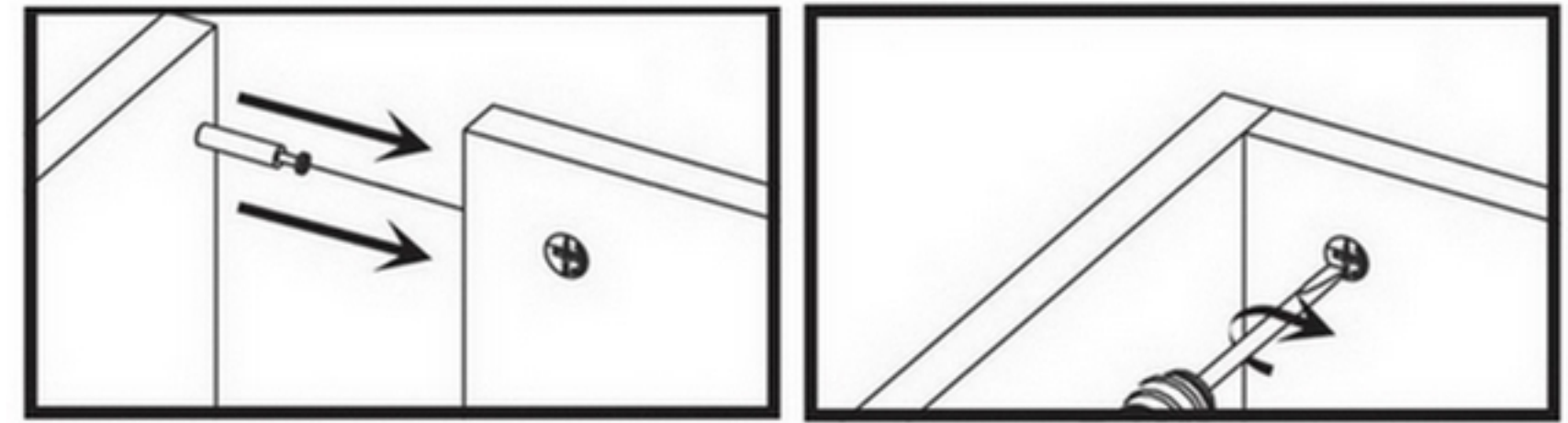
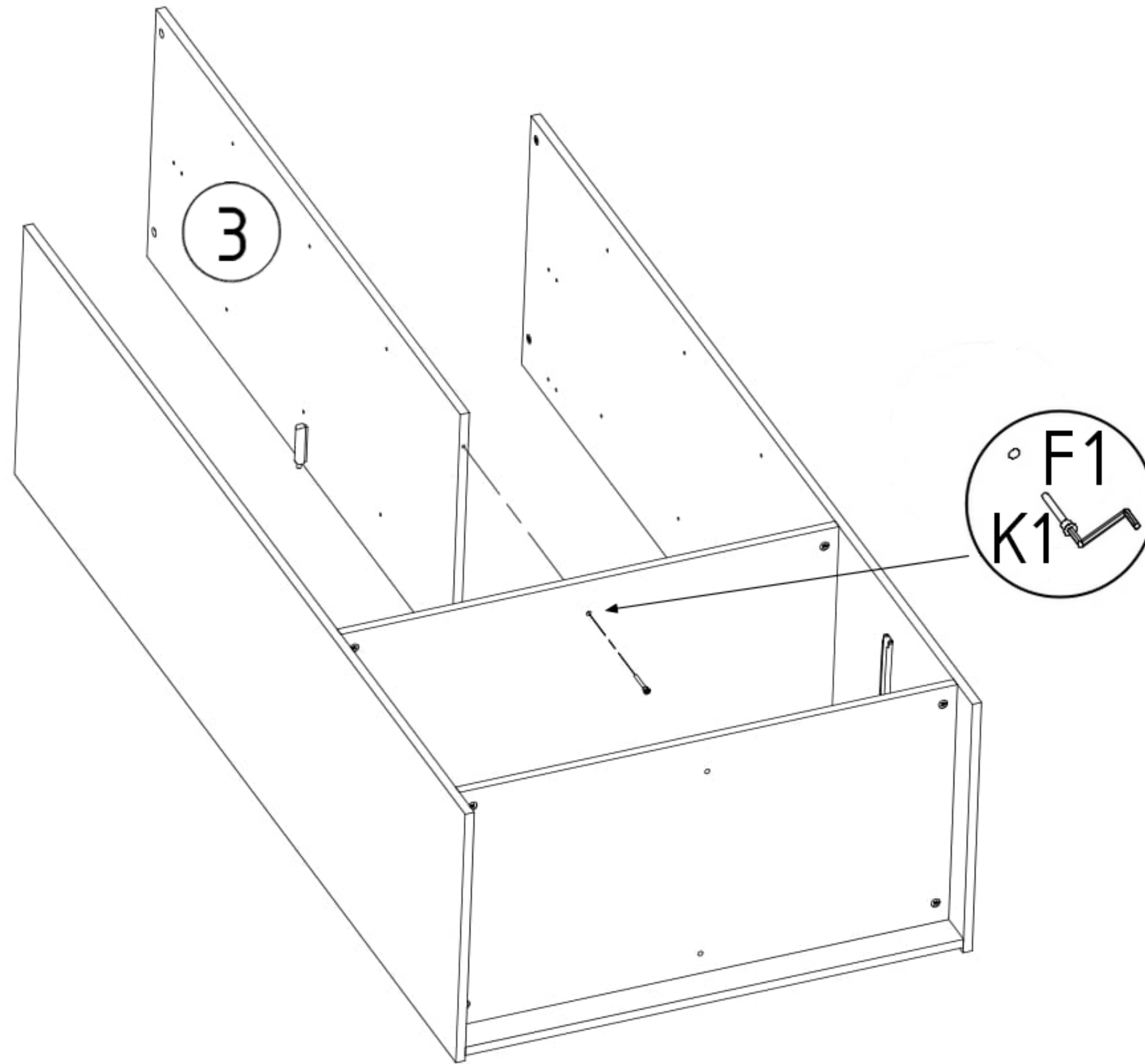
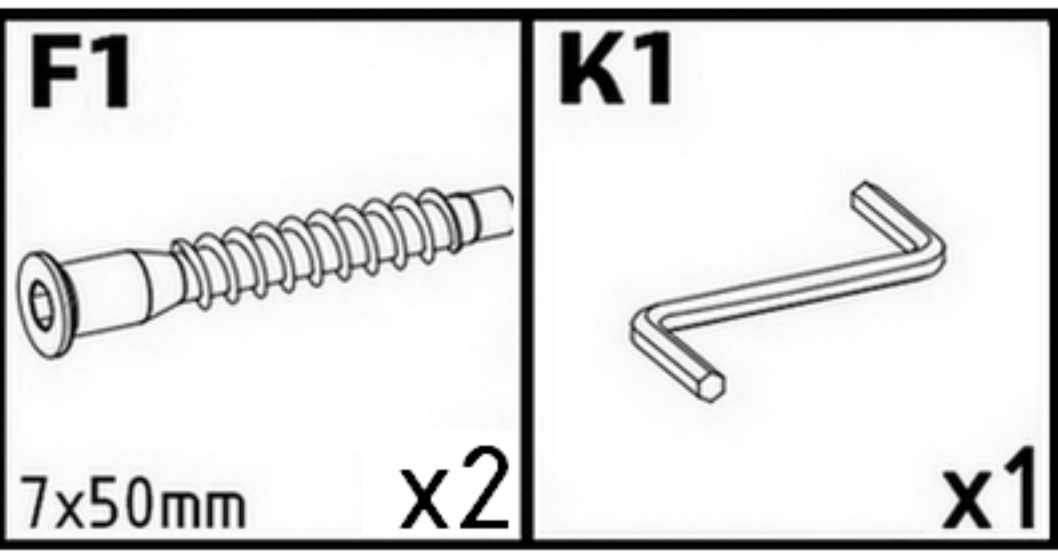


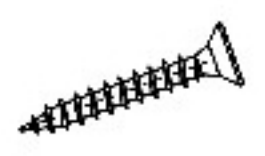


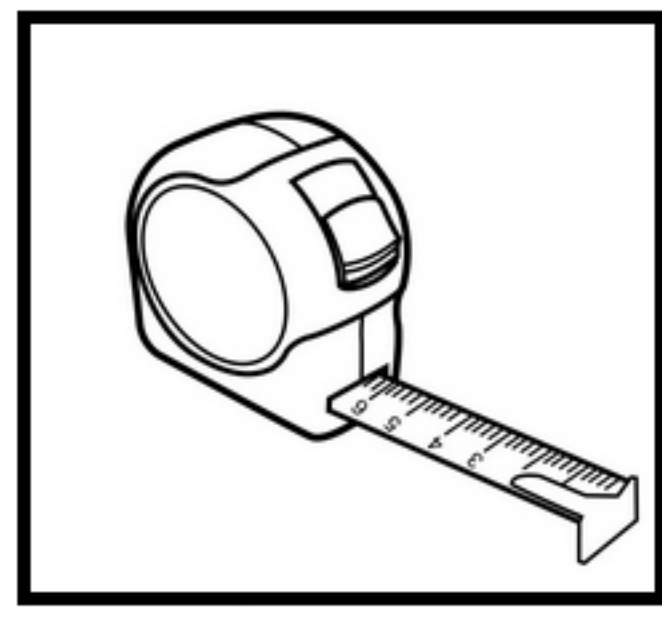
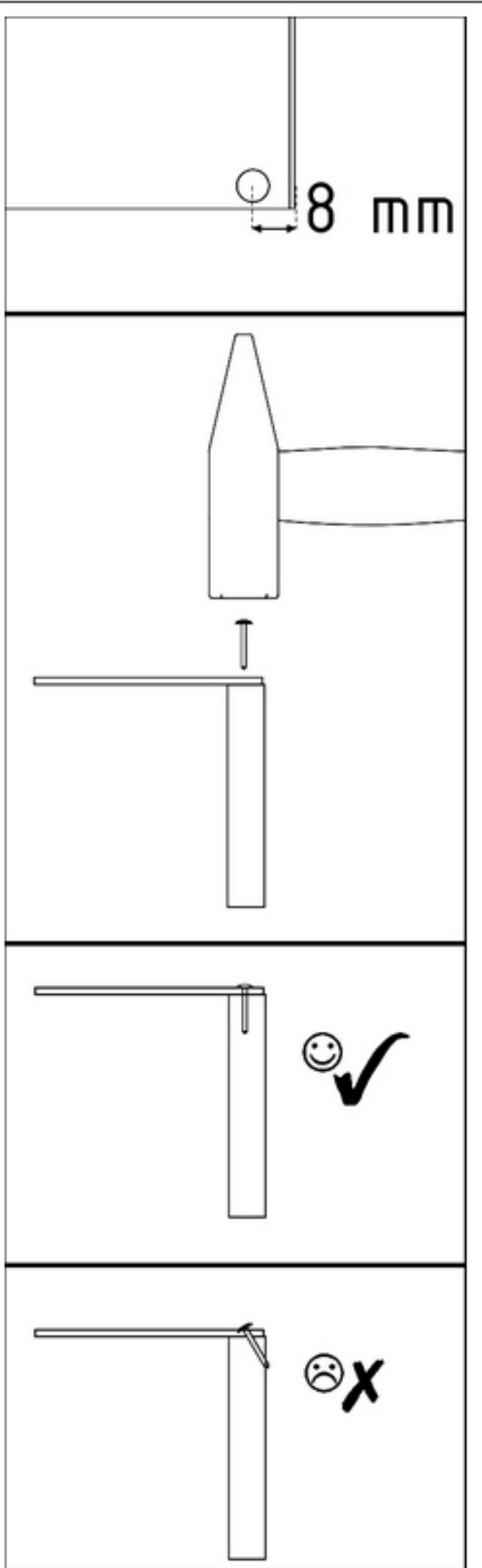
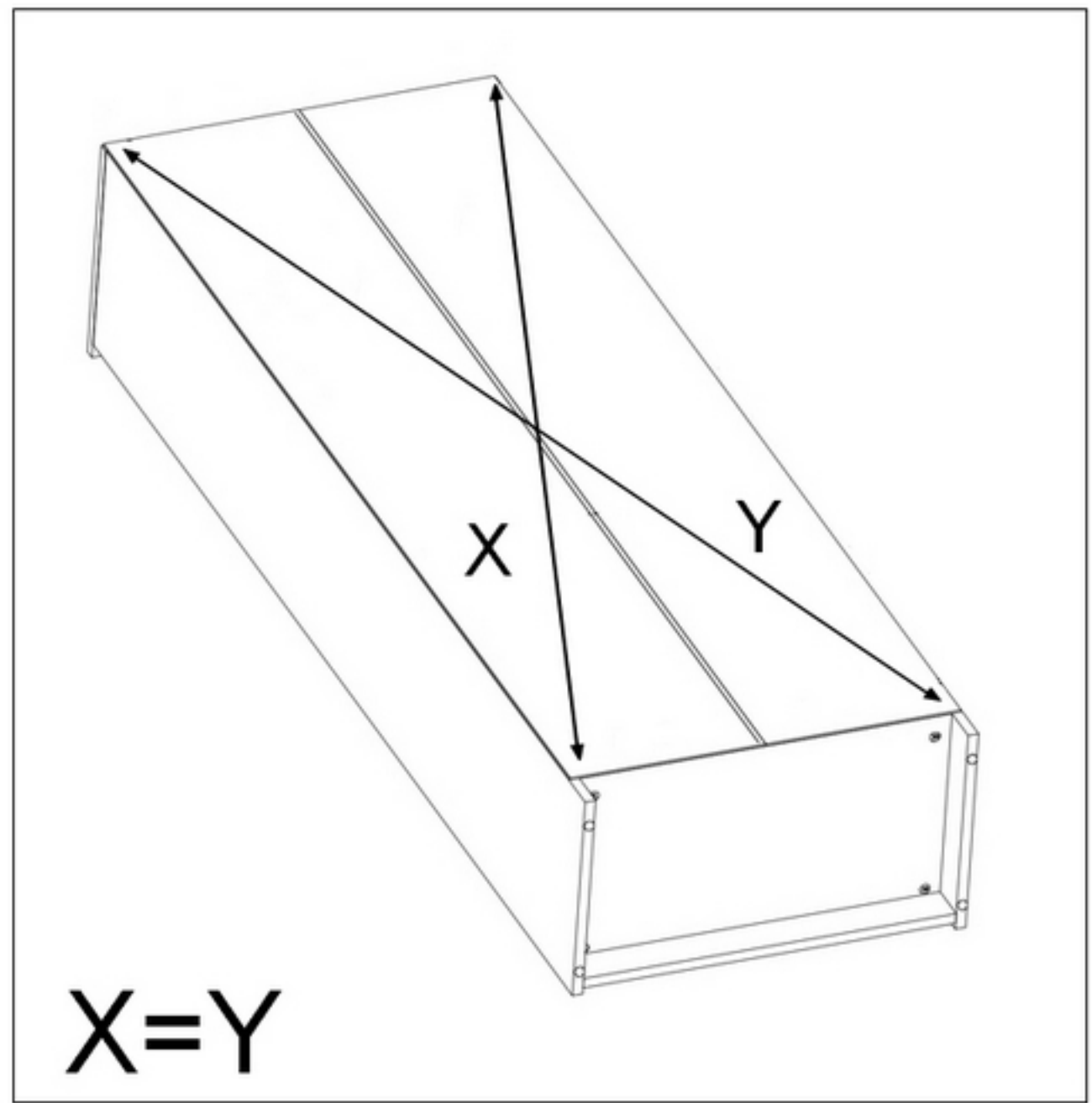
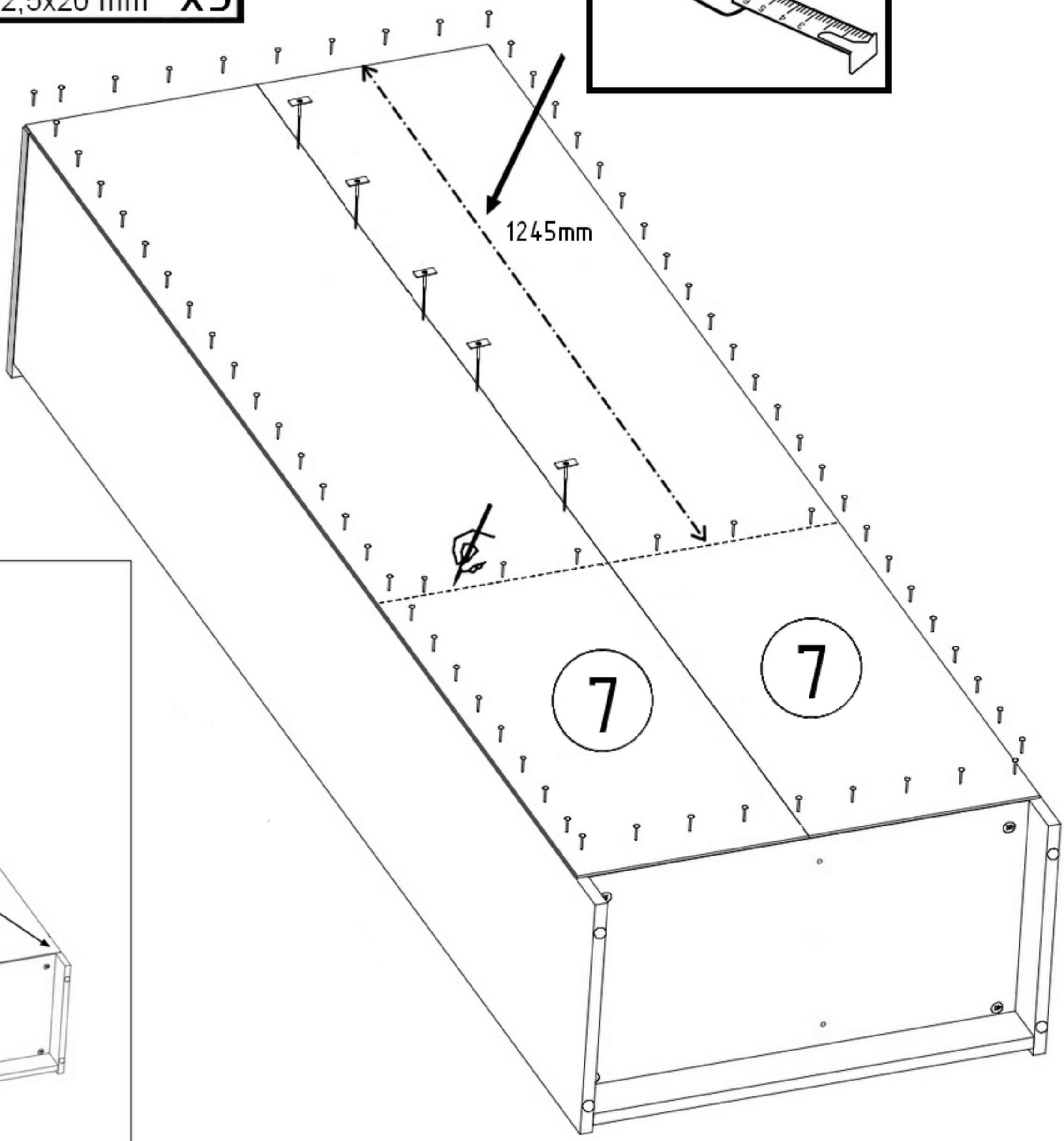
Diagram illustrating the correct placement of a screw on the edge of the panel. The screw should be placed in a pre-drilled hole (marked with a smiley face and checkmark) and not on the surface (marked with a sad face and 'X').

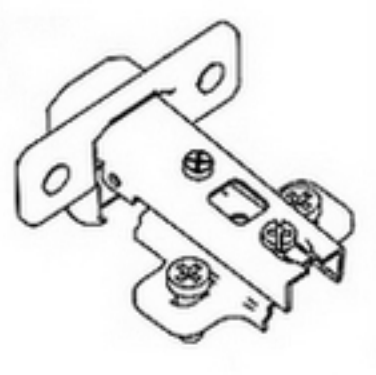



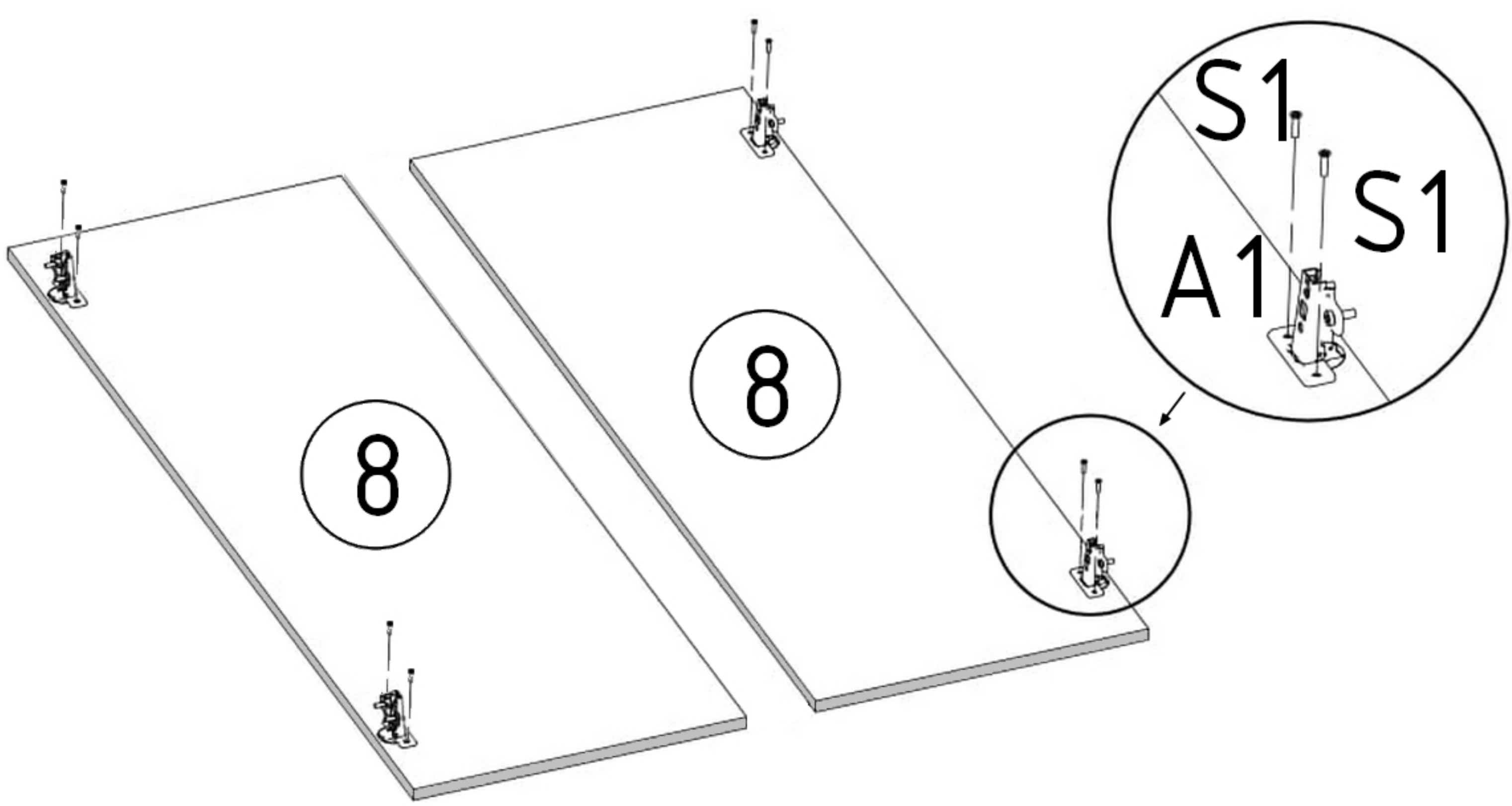


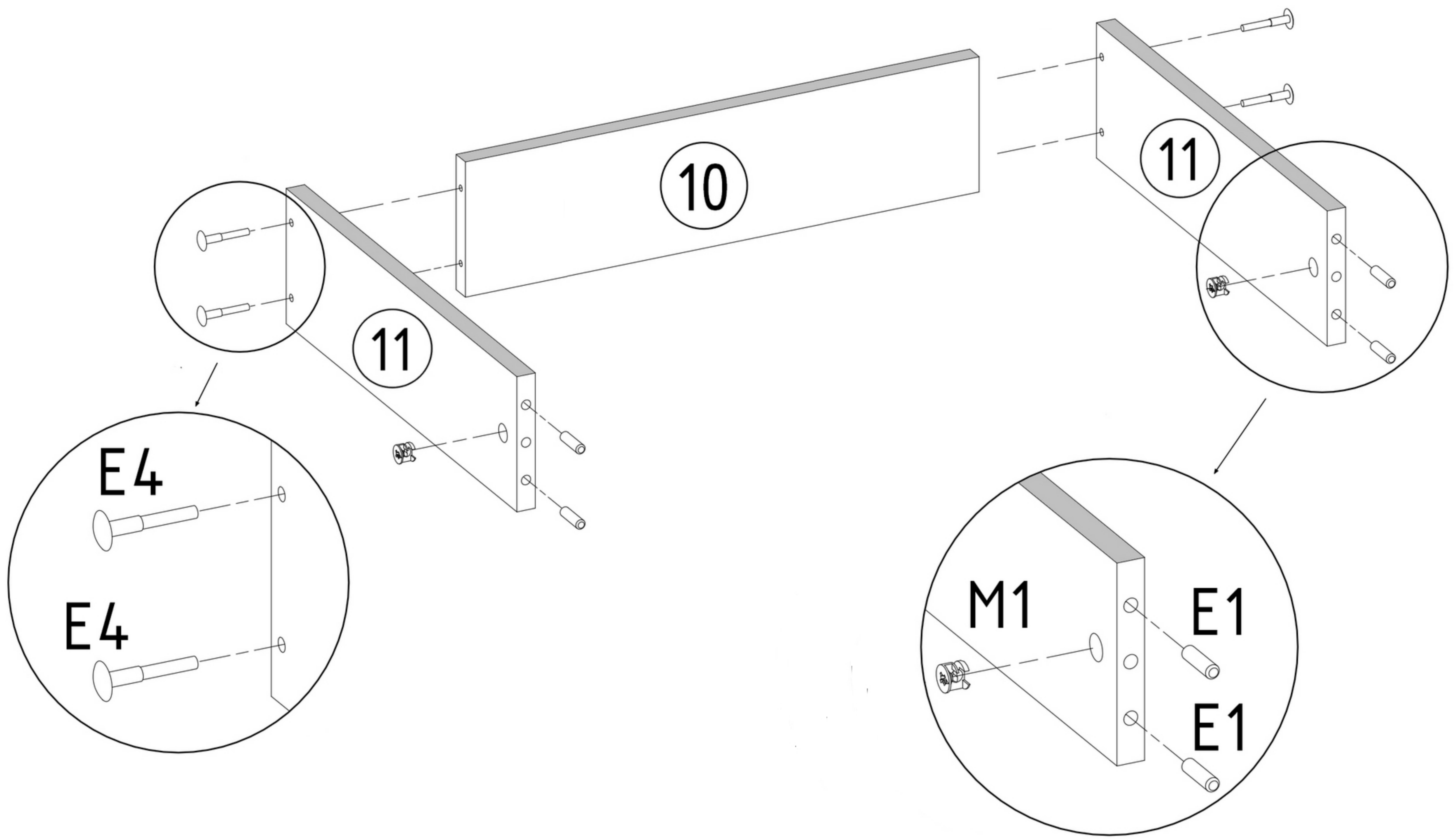
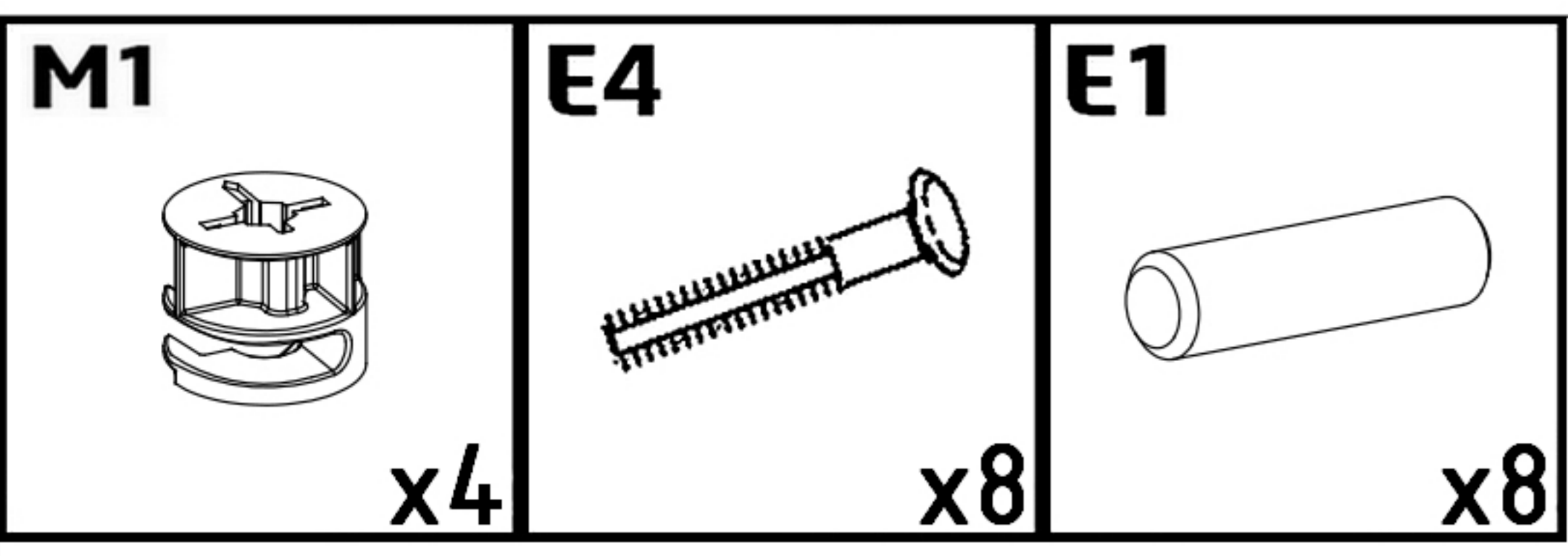


<b>Z1</b>  x90	<b>Z4</b>  x5	<b>S7</b>  2,5x20 mm x5
--	--	--

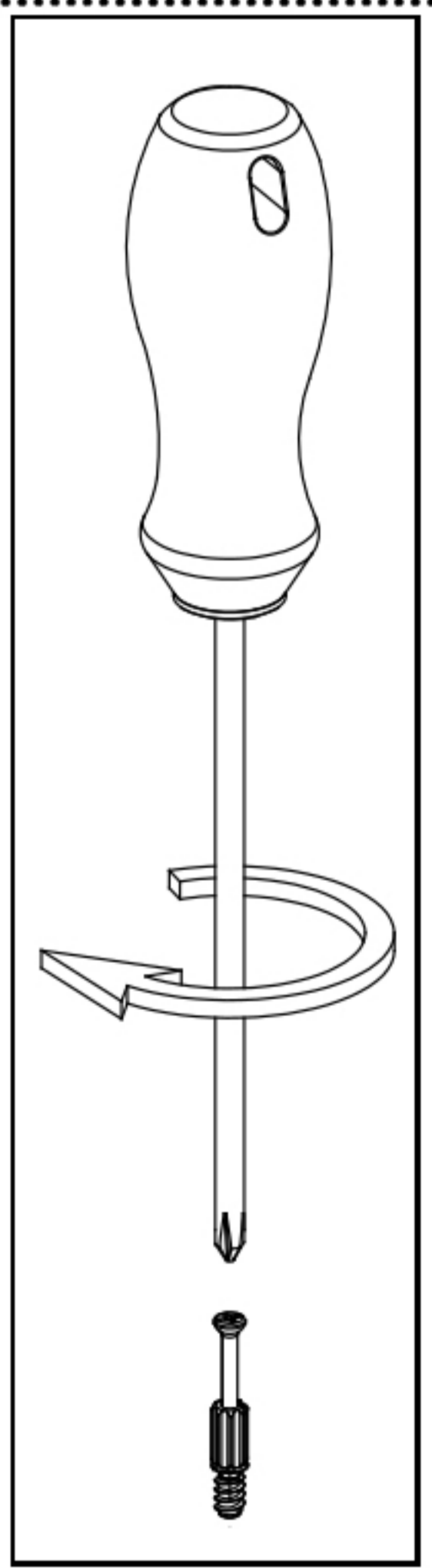
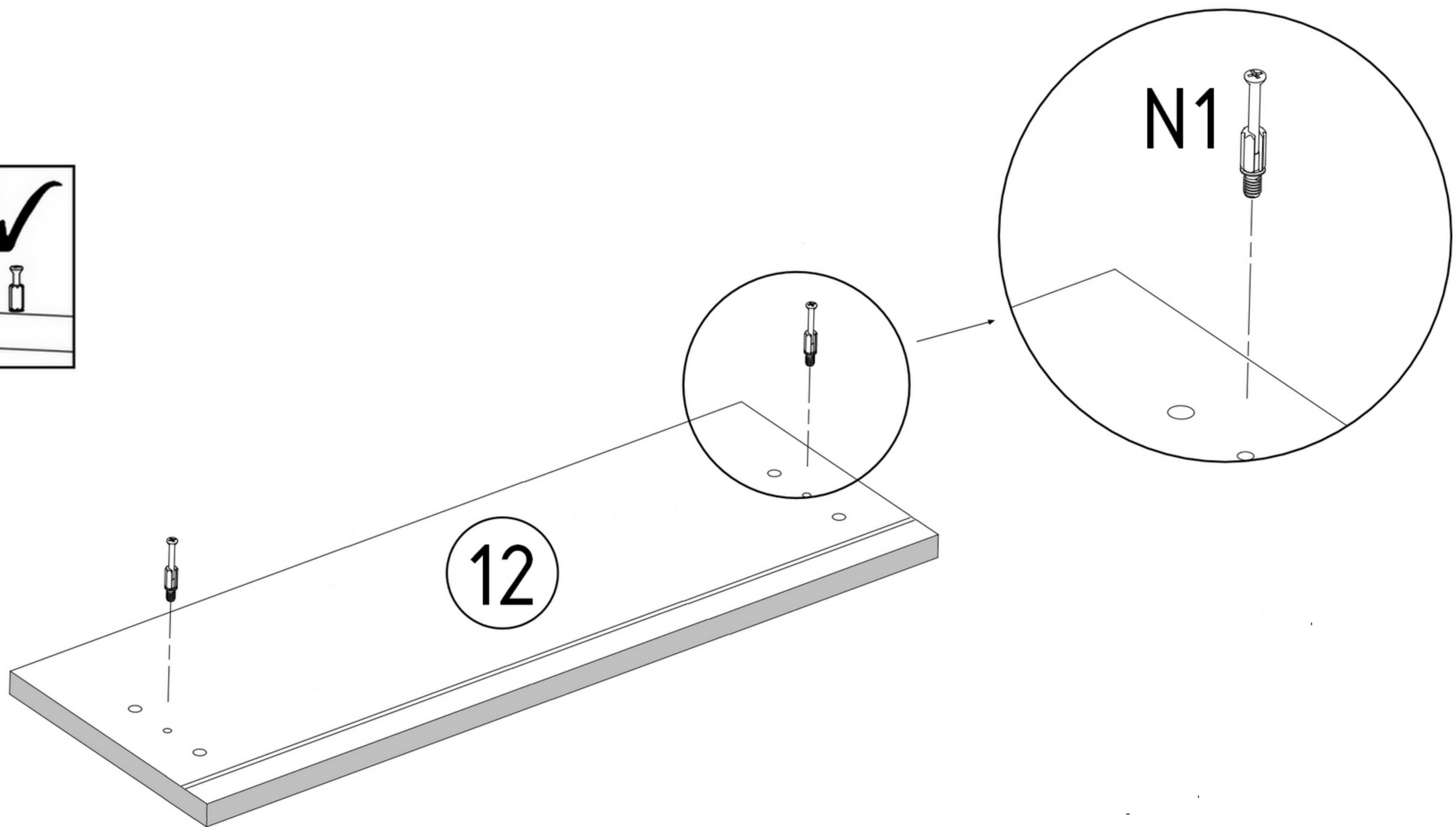
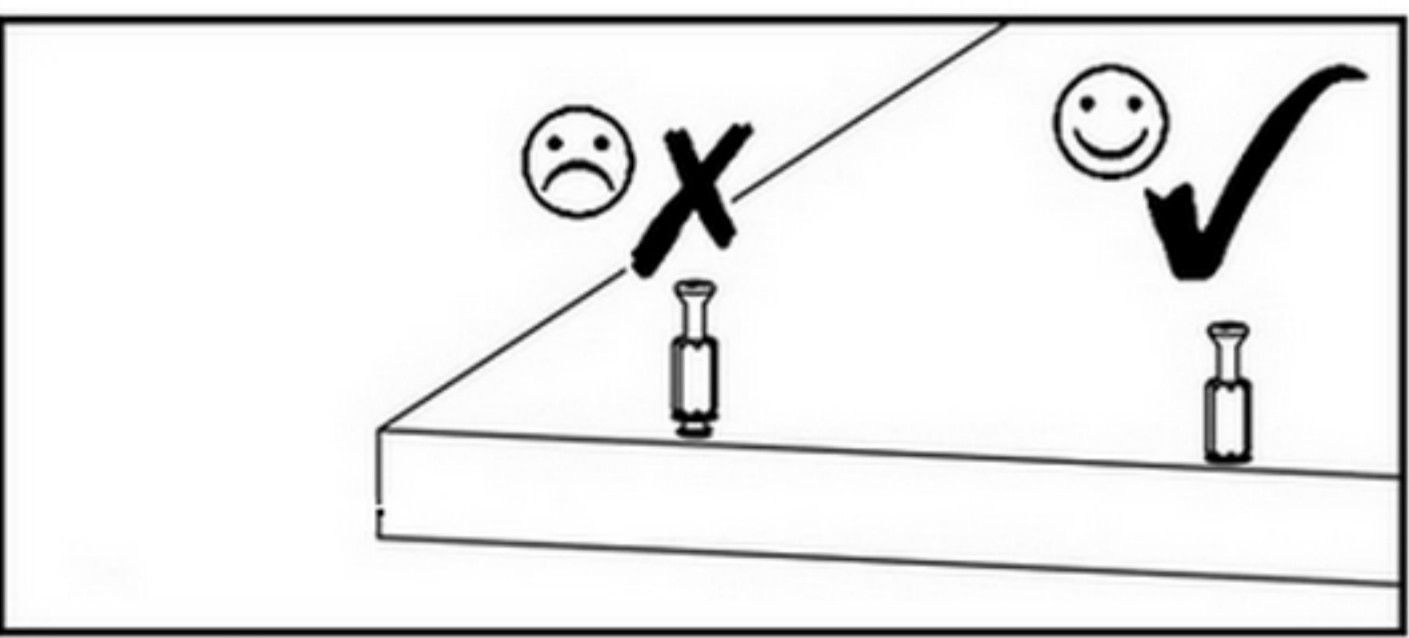
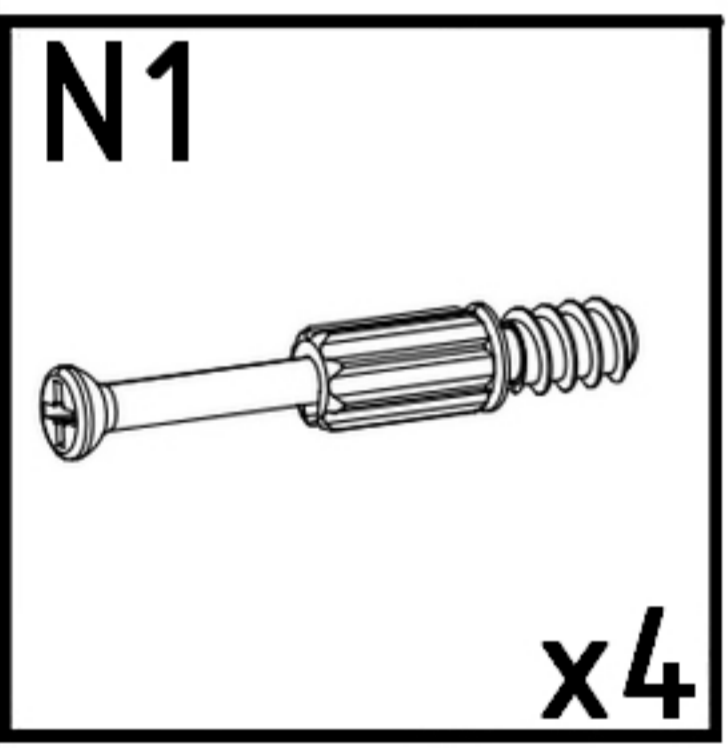




<b>A1</b>  ZP x4	<b>S1</b>  3,5x16mm x8
--	---

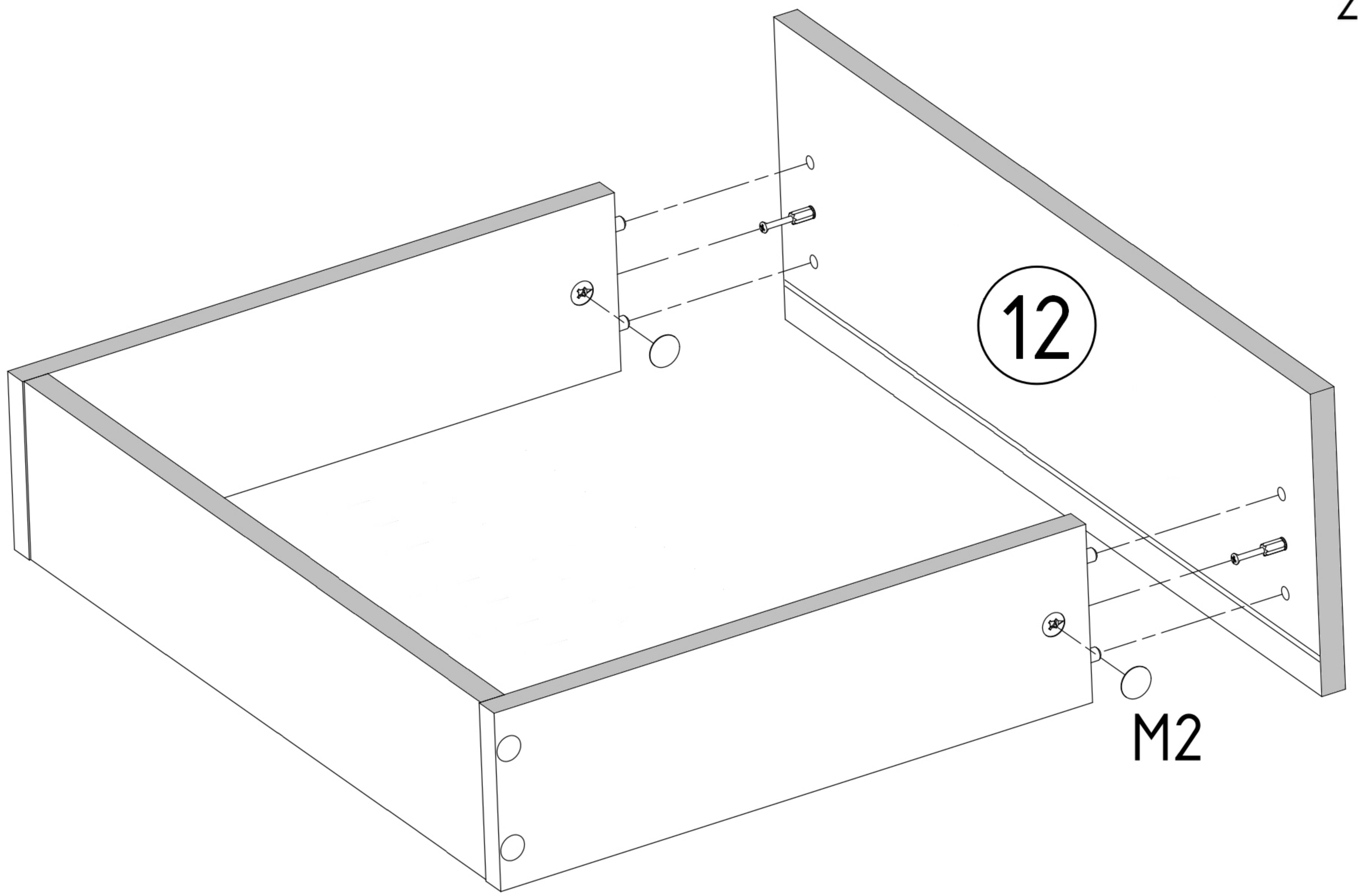
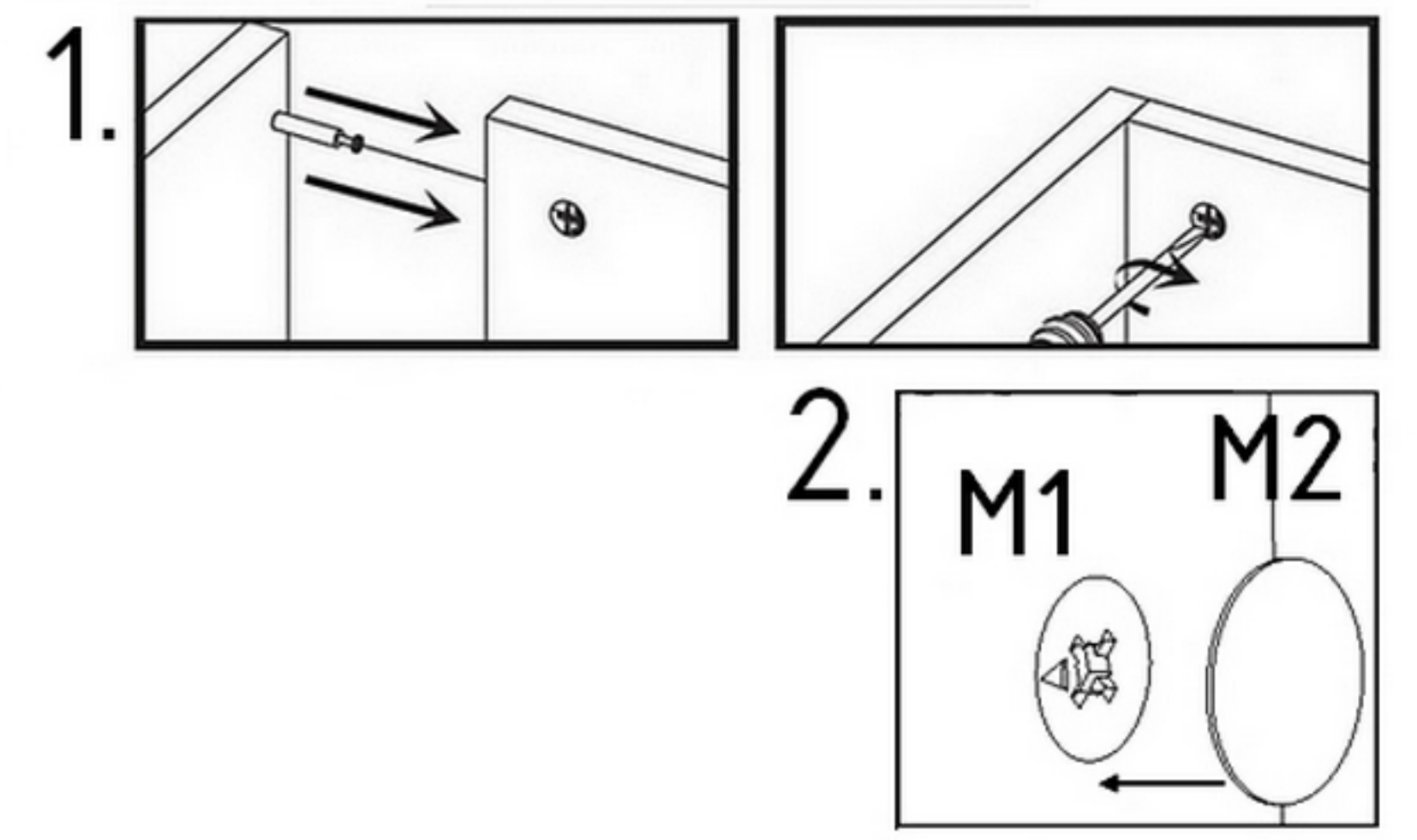
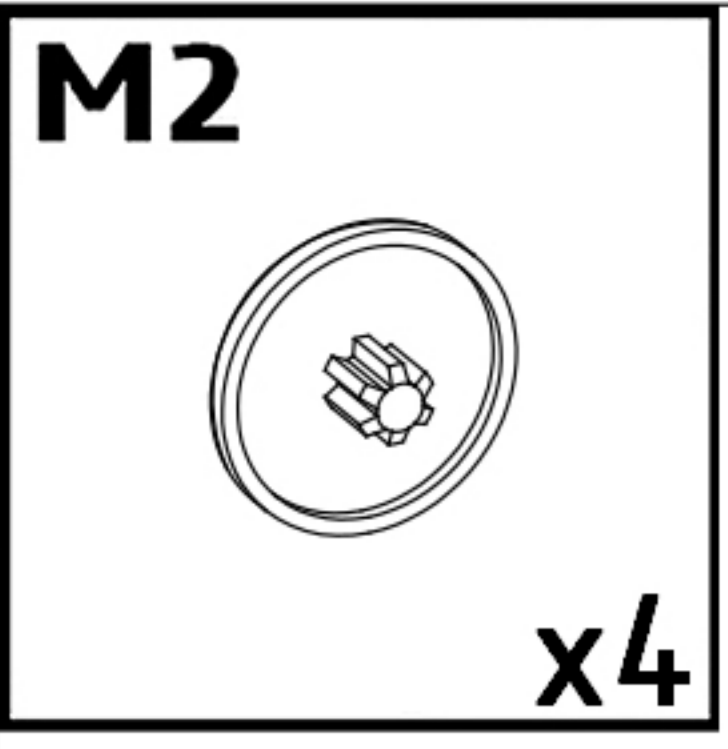




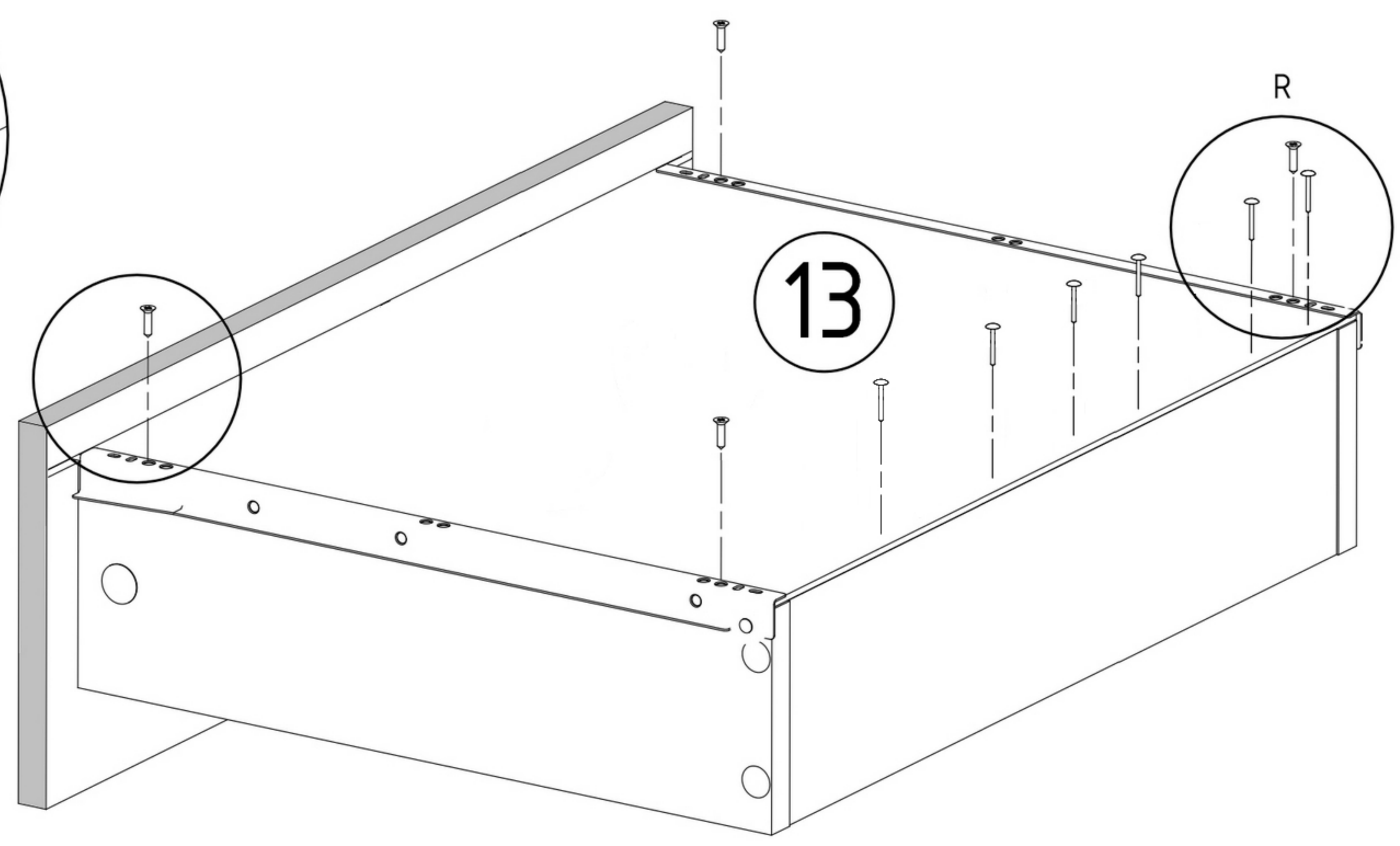
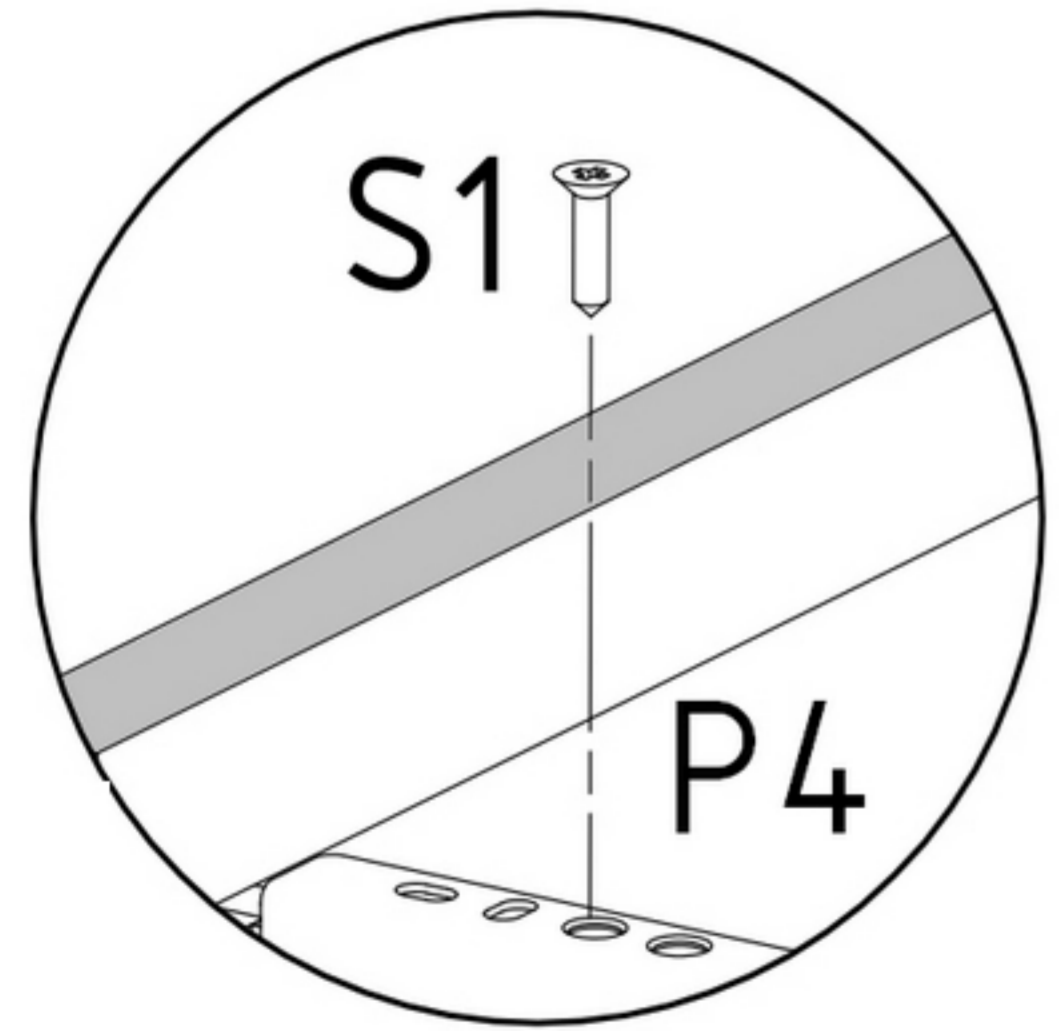
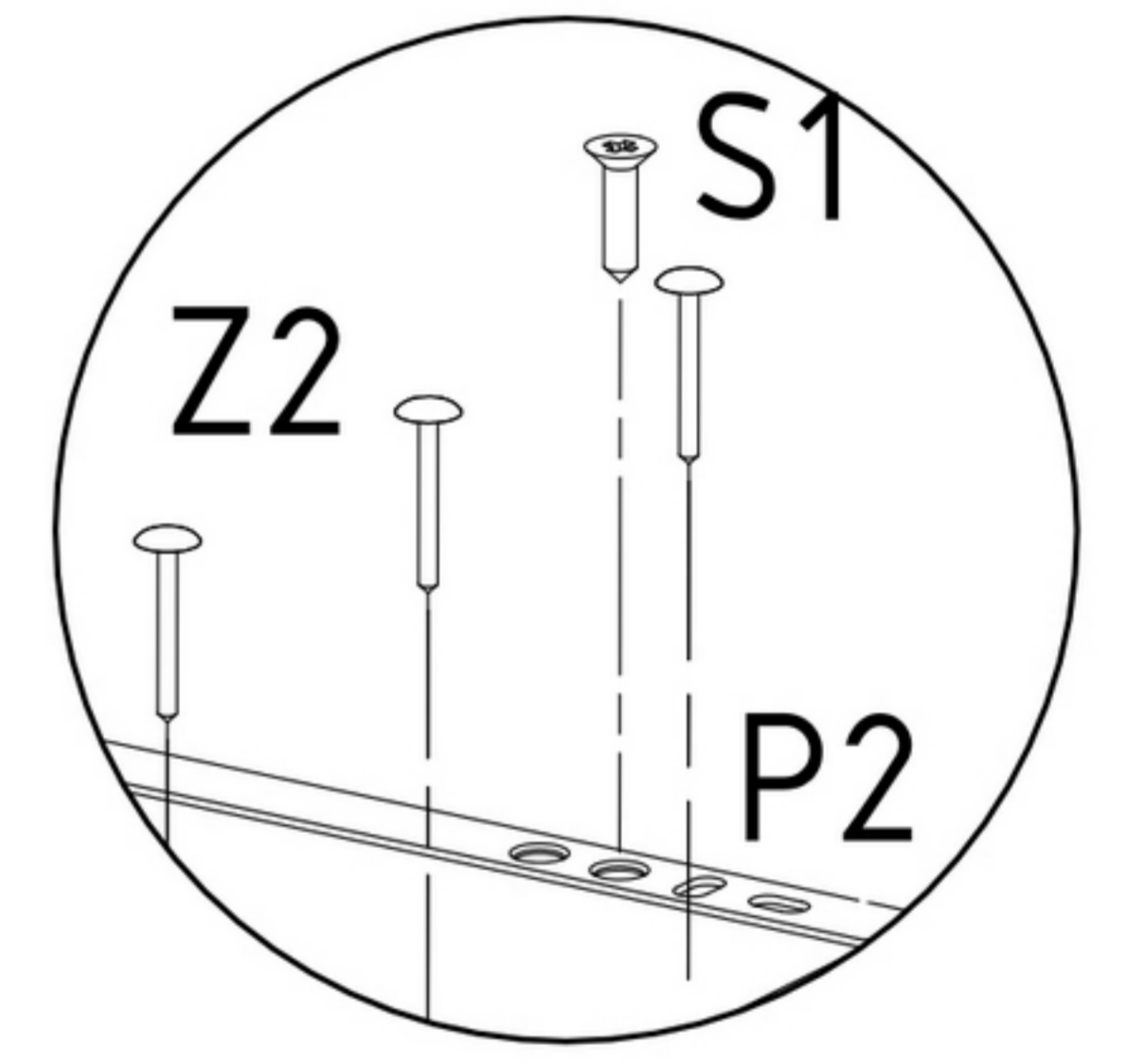
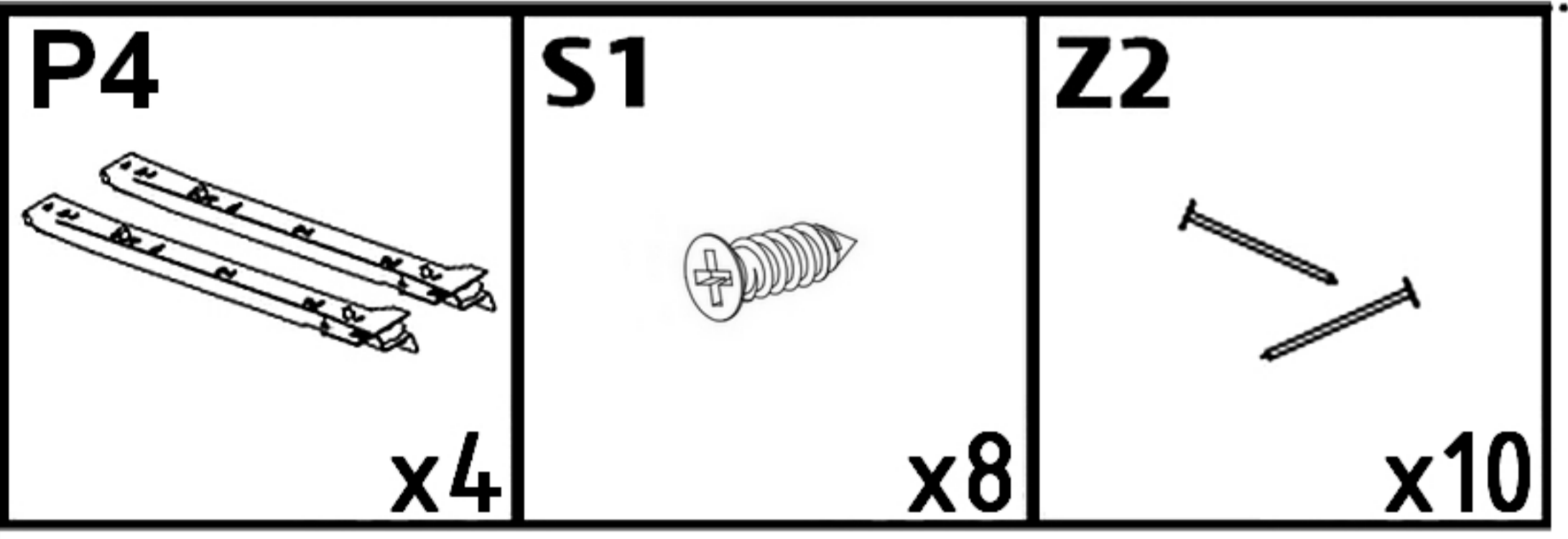
x2





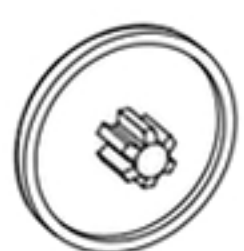
x2

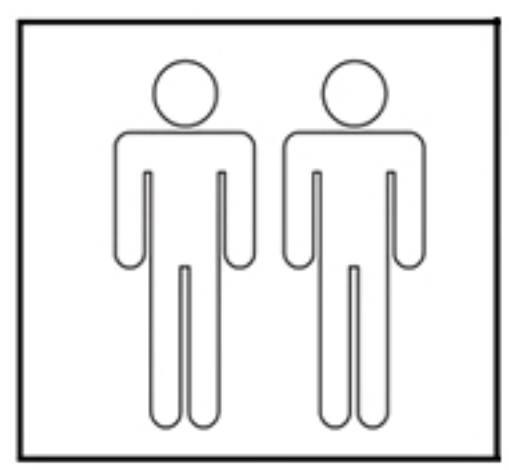
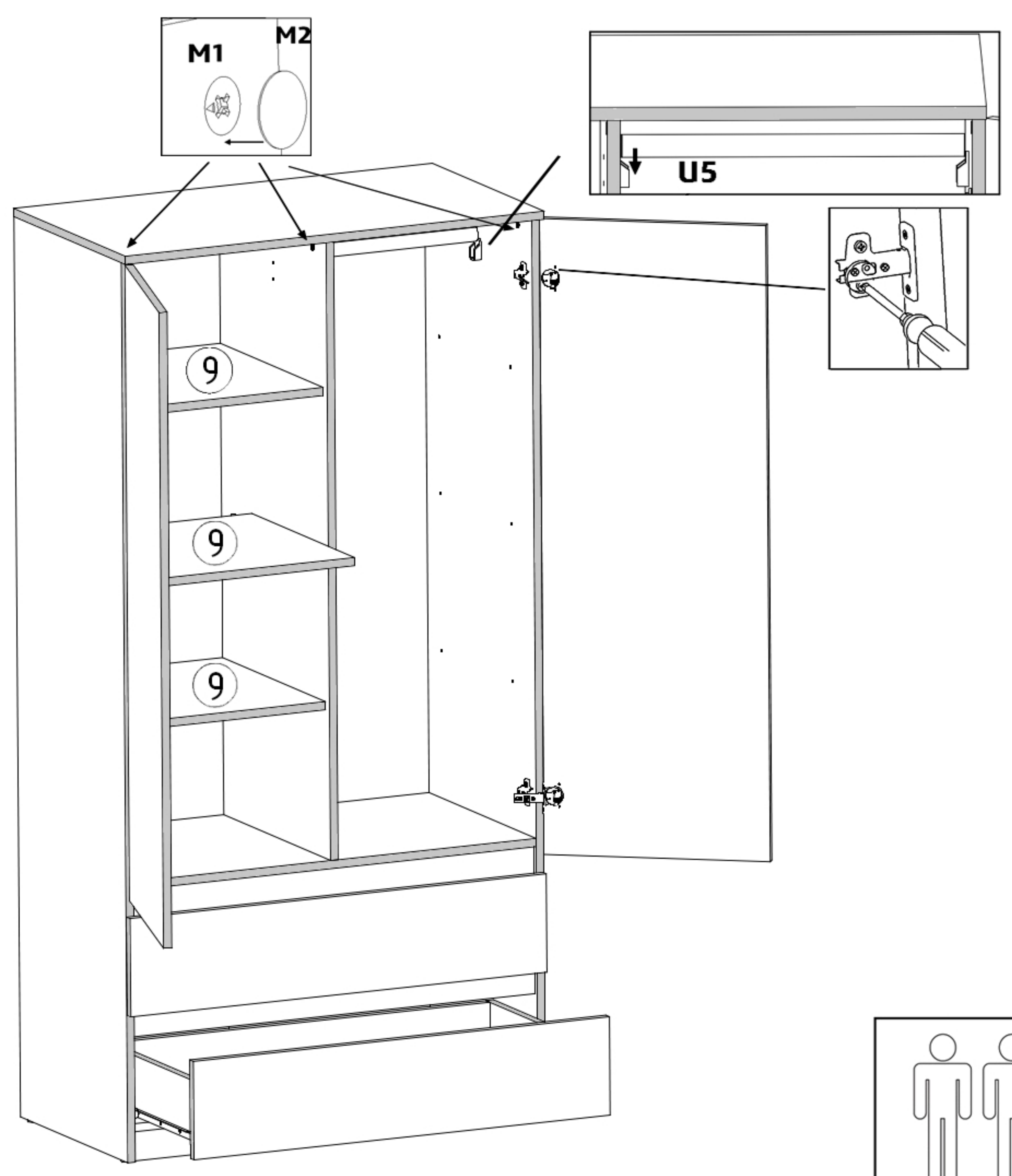
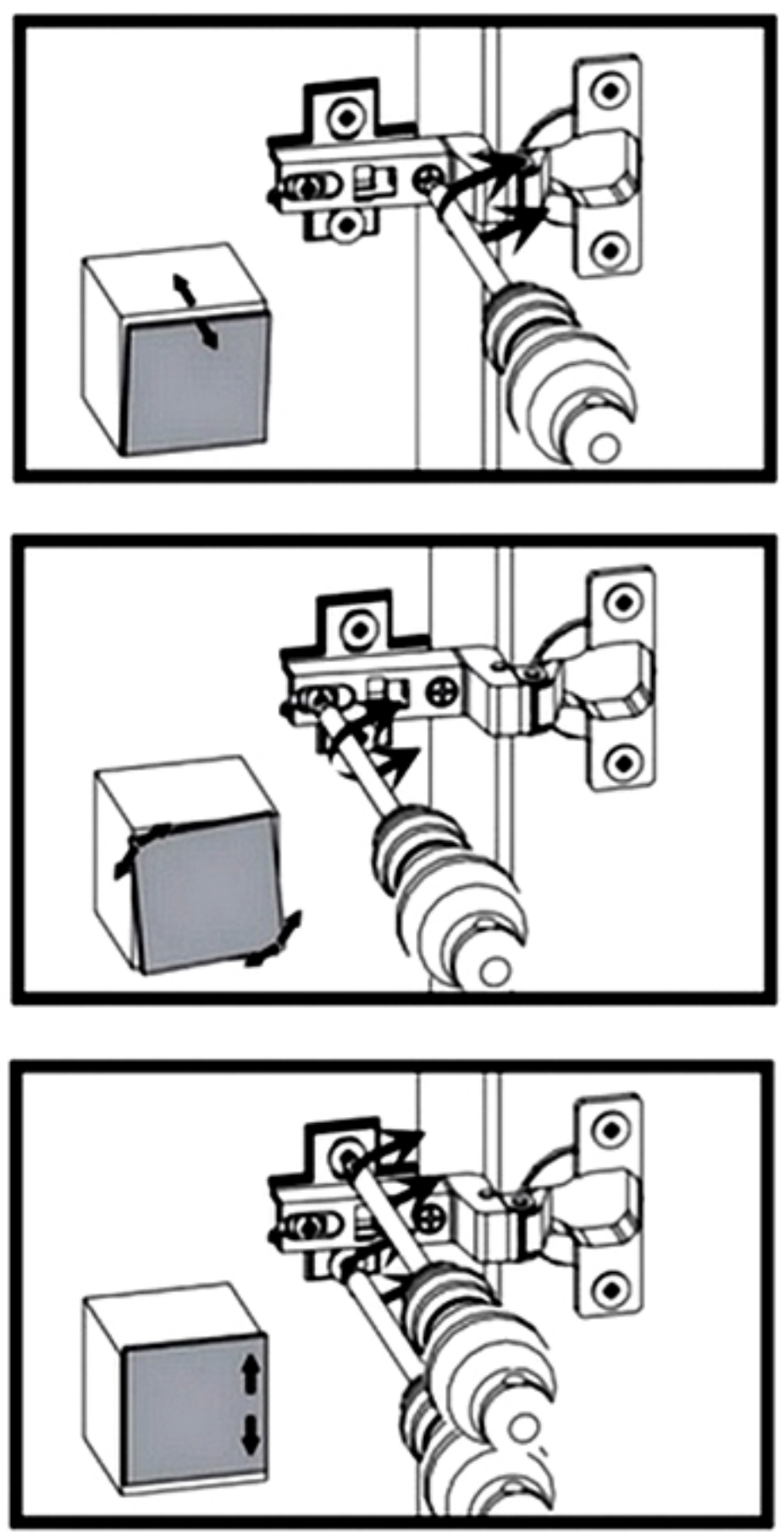



x2



x2

<b>U5</b>  <b>x 1</b>	<b>U4</b>  <b>x 2</b>	<b>M2</b>  ø16mm <b>x 6</b>
--	--	---



<b>K2</b>  <b>x 1</b>
---

