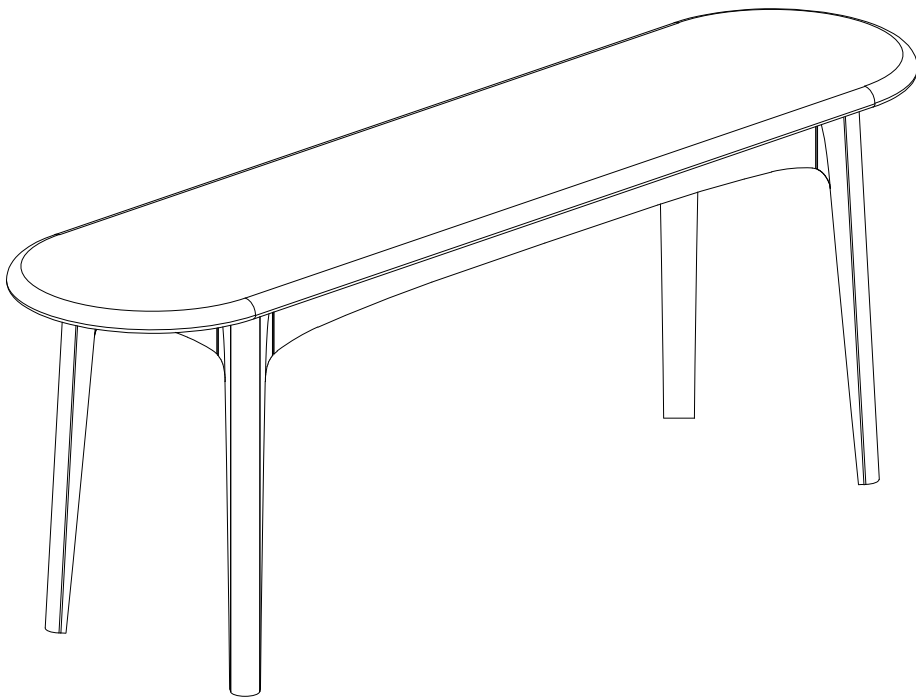


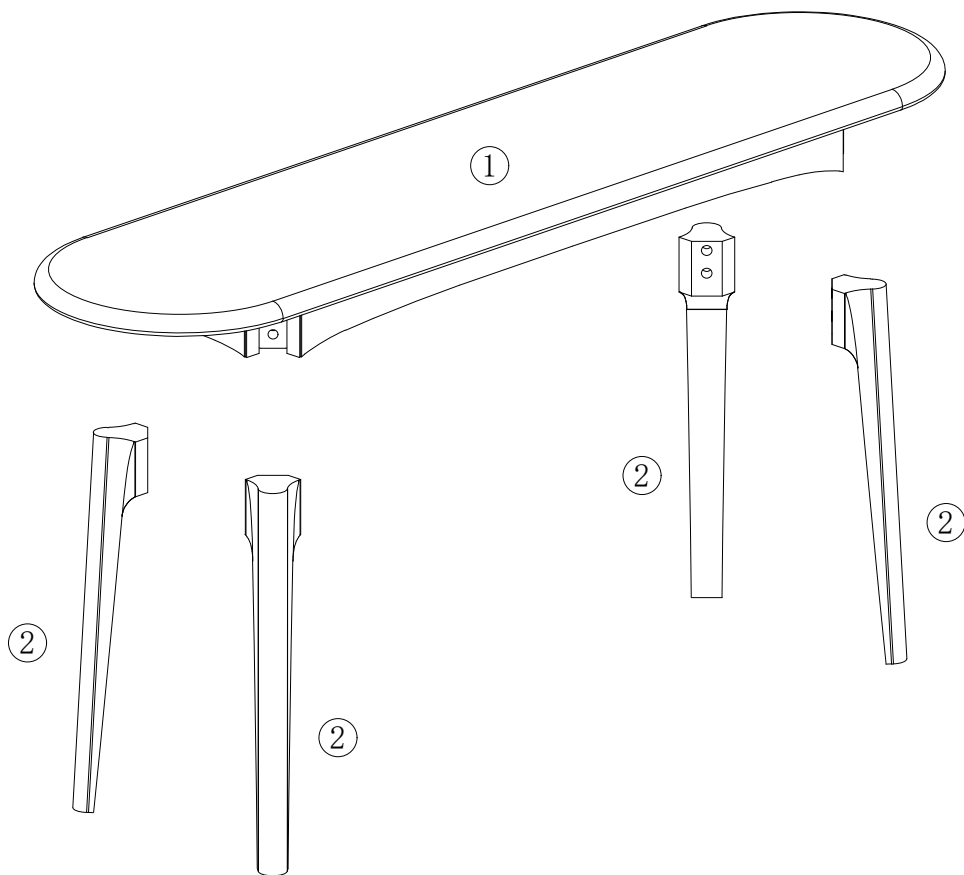
# Dining Stool



# Illustration of Installation

Name

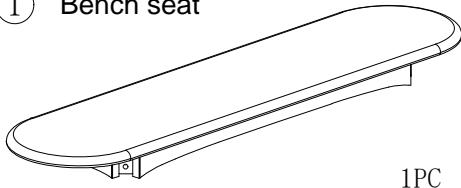
Dining Stool



Name : Dining Stool

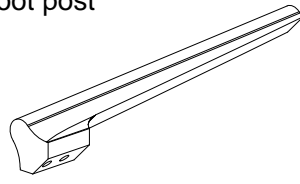
## List of Parts

① Bench seat



1PC

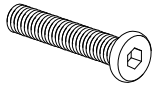
② Foot post



4PCS

## List of Hardware

**A** Hexagon socket head screw



M8\*50MM

8+1PCS

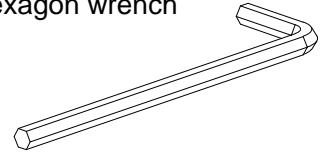
**B** Flat shims



M8\* 16MM

8+1PCS

**C** Hexagon wrench



M5\*100MM

1PC

**D** Nonwoven fabric pad

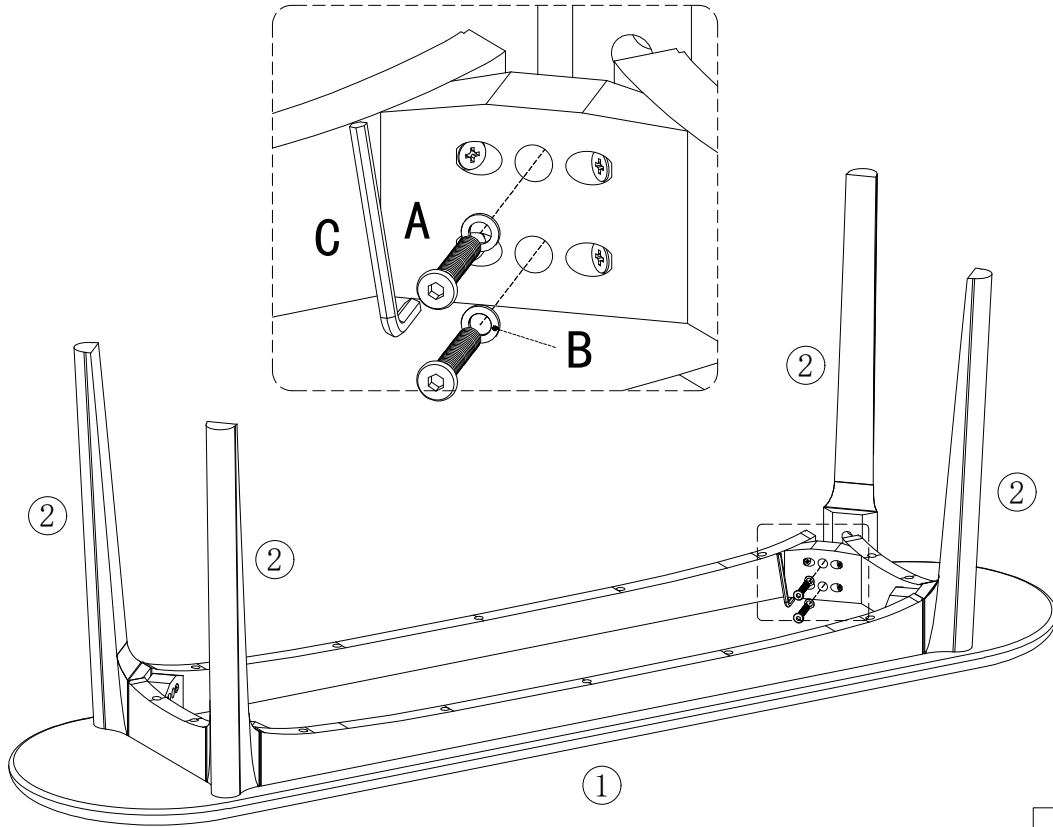





20\*3MM

4PCS

# Name : Dining Stool

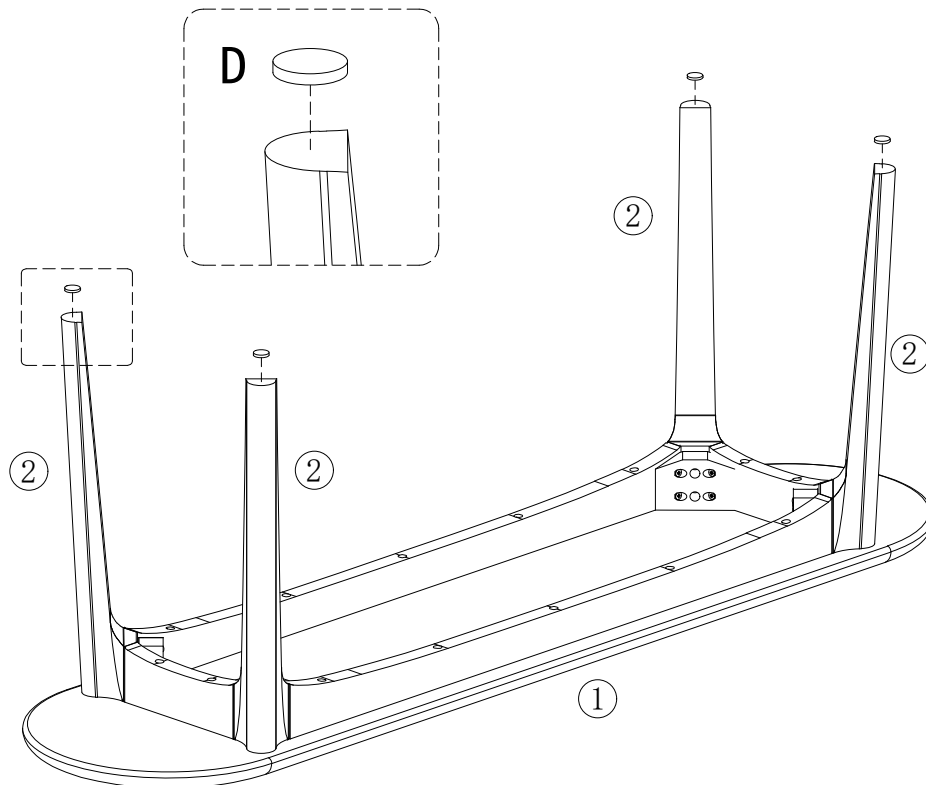
## Step 1




|          |                                                                                       |    |
|----------|---------------------------------------------------------------------------------------|----|
| <b>A</b> |   | X8 |
| <b>B</b> |  | X8 |
| <b>C</b> |  | X1 |

Assemble parts 1 and parts 2 with hardware C/A/B.

## Step 2



Assemble hardware D onto the components assembled in Step 1.

|          |                                                                                       |    |
|----------|---------------------------------------------------------------------------------------|----|
| <b>D</b> |  | X4 |
|----------|---------------------------------------------------------------------------------------|----|