

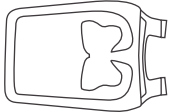
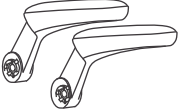
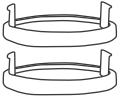

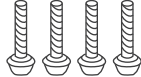
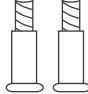
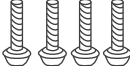







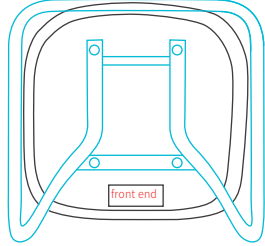
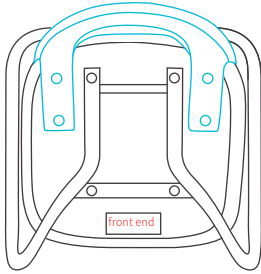
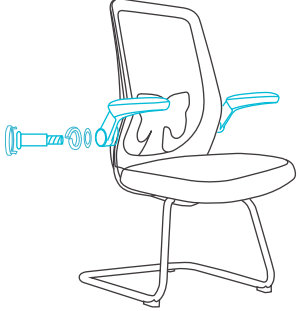

## Parts list ( Subject to actual size; each type of screws and washers has one spare )

				
<b>Chair Base x1</b>	<b>Seat x1</b>	<b>Backrest x1</b>	<b>Armrest x2</b>	<b>Decorative Cover For Armrest x2</b>
				
<b>Allen Wrench x1</b>	<b>Chair Base Screw (M6*40) x4</b>	<b>Armrest Screw (M8*40) x2</b>	<b>Backrest Screw (M6*30) x4</b>	<b>Washer (M6) x4</b>
				
<b>Washer (M10) x2</b>	<b>Lock Washer (M10) x2</b>	<b>Washer (M8) x4</b>	<b>Lock Washer (M8) x4</b>	

**Note:** Before installing the chair, please sort the screws and measure the length of the screws for installation



## Installation icon ( Subject to Actual Size )

		
<b>1</b> Secure the chair base and seat with chair base screws (M6*40) and lock washers (M8) and washers (M8). Pay attention to the direction of installation.	<b>2</b> Secure the backrest and seat with backrest screws (M6*30) and washers (M6).	<b>3</b> Secure the armrests and backrest with armrest screws (M8*40) and lock washers (M10) and washers (M10) as picture shown. Put on the cover at the end.
		

**Note:** Before installing the chair, please sort the screws and measure the length of the screws for installation