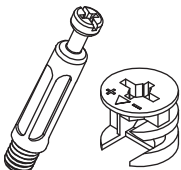
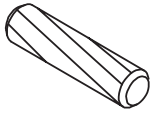
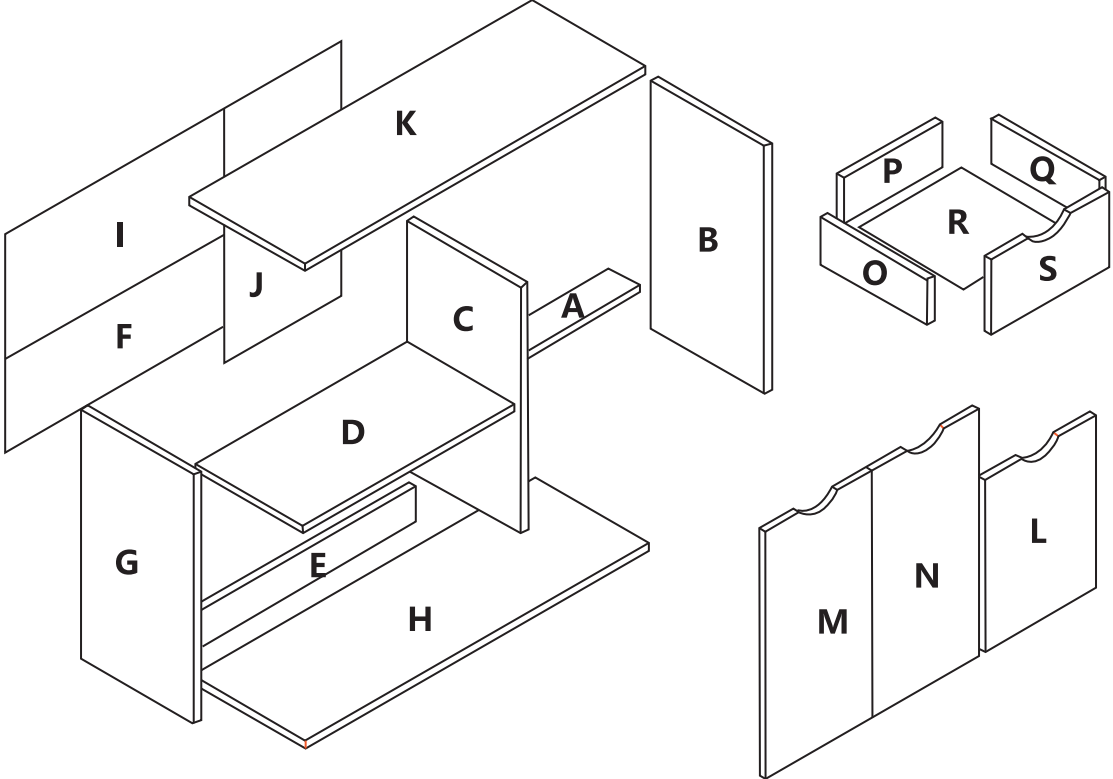
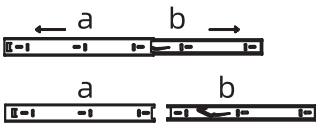

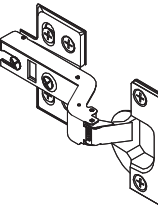
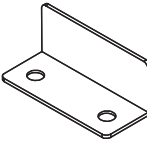

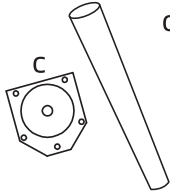
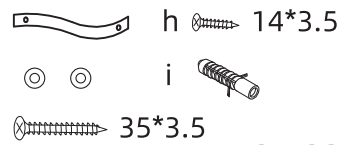
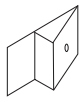
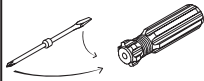


Storage cabinet Assembly instruction

**Before assembling,
read all the instructions.**

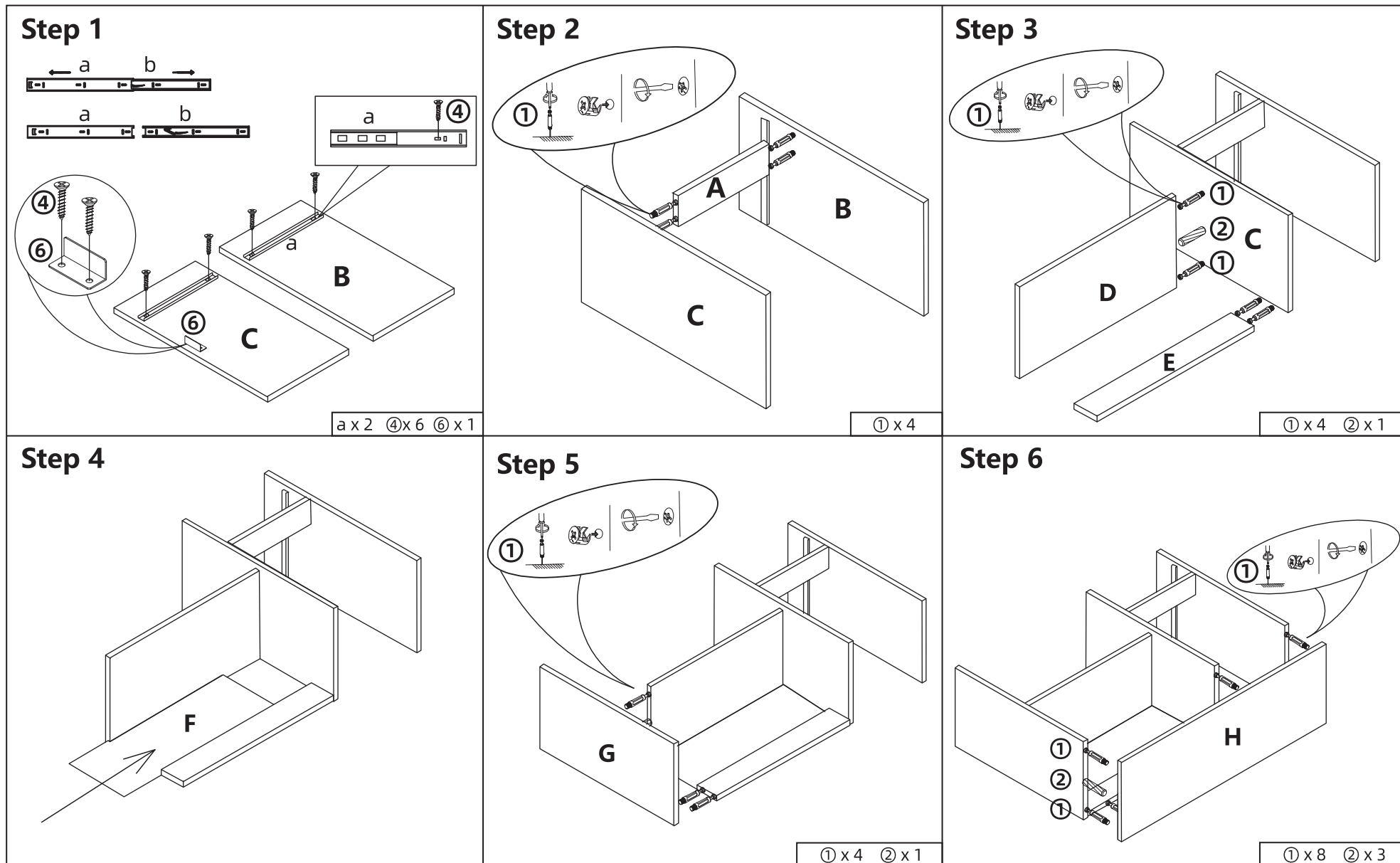
If you have any question, Please contact us.

Parts list

<p>① </p> <p>30PCS</p>	<p>② </p> <p>8PCS</p>		
<p>③ </p> <p>1PC</p>	<p>④ </p> <p>79PCS</p>		
<p>⑤ </p> <p>6PCS</p>	<p>⑥ </p> <p>1PC</p>		
<p>⑦ </p> <p>4PCS</p>	<p>⑧ </p> <p>5PCS</p>		
<p>⑨ </p> <p>2PCS</p>	<p>⑩ </p> <p>8PCS</p>		<p>⑪ </p> <p>1PC</p>

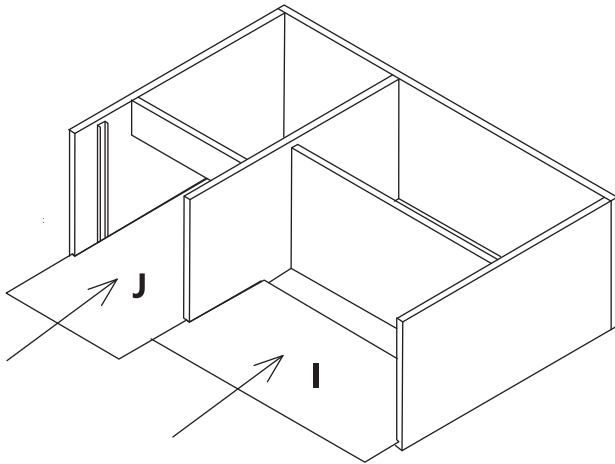
Please check that you have all the parts listed before you start assembling,
if you do find that something is missing, do not continue assembly. Please contact us.

Assembly instruction

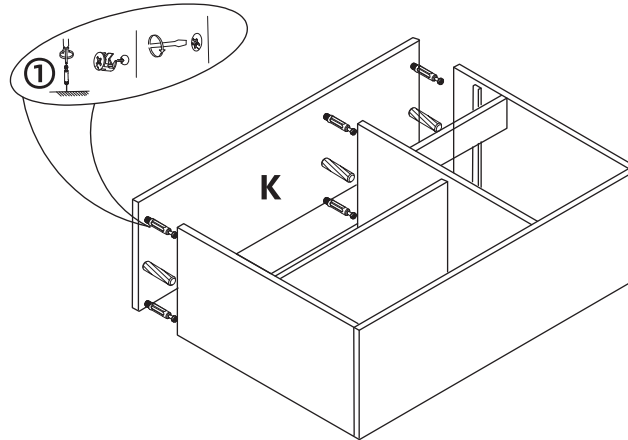


Assembly instruction

Step 7

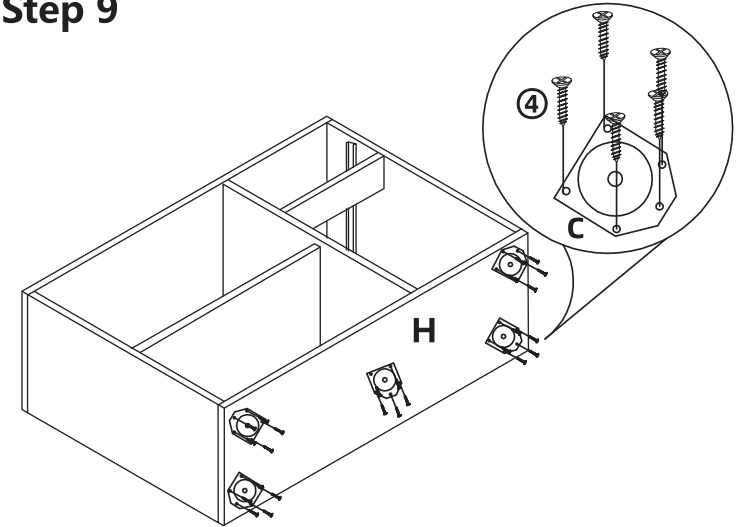


Step 8



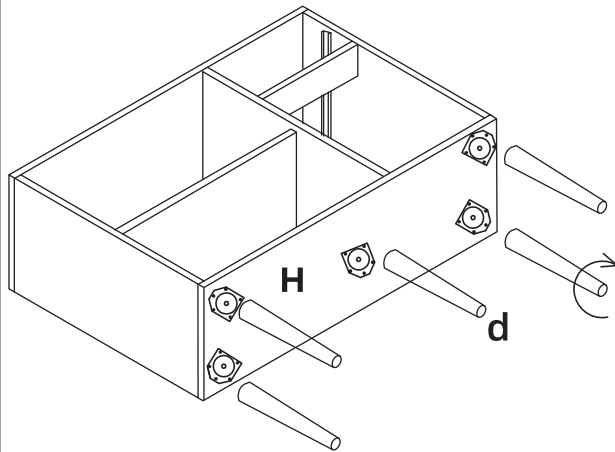
① x 6 ② x 3

Step 9



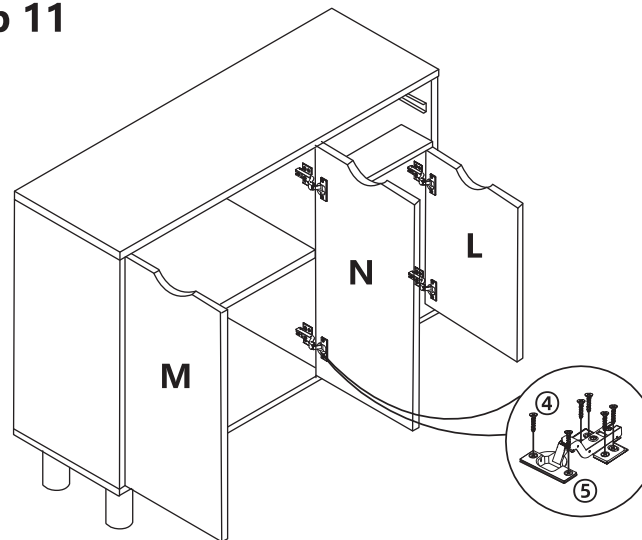
④ x 25 c x 5

Step 10



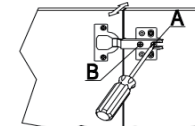
d x 5

Step 11

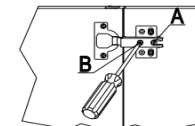


Hinge Adjustment

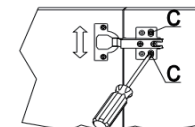
If the doors do not appear square or aligned, loosen or tighten the appropriate screws on each case hinge as illustrated.



1) Side to side adjustment:
Loosen screw A, adjust gap with screw B and re-tighten screw A.



2) Depth adjustment:
Loosen screw A, push hinge arm forwards or backwards, re-tighten screw A and screw B with a 1/4 turn clockwise.



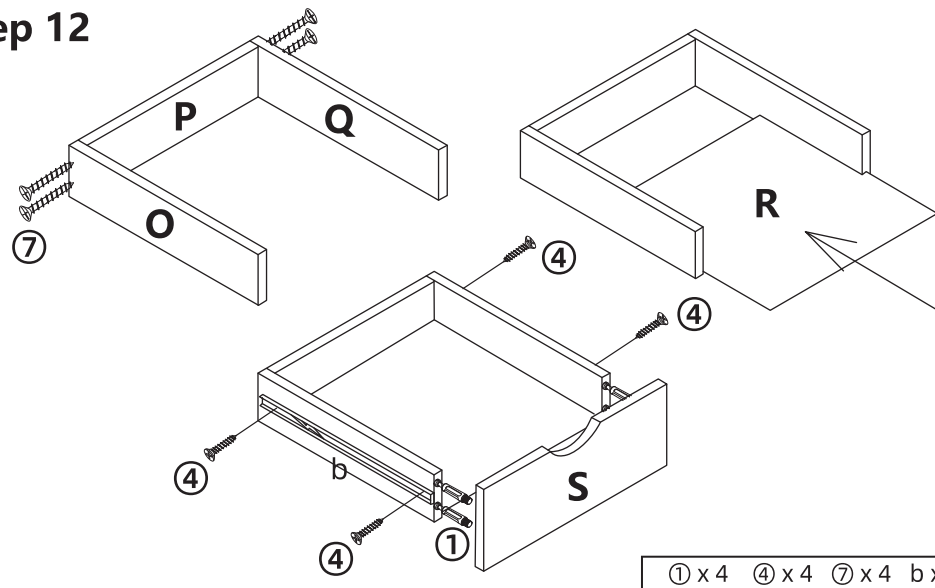
3) Height adjustment:
Loosen screw C, adjust door height and re-tighten screw C.

④ x 36 ⑤ x 6

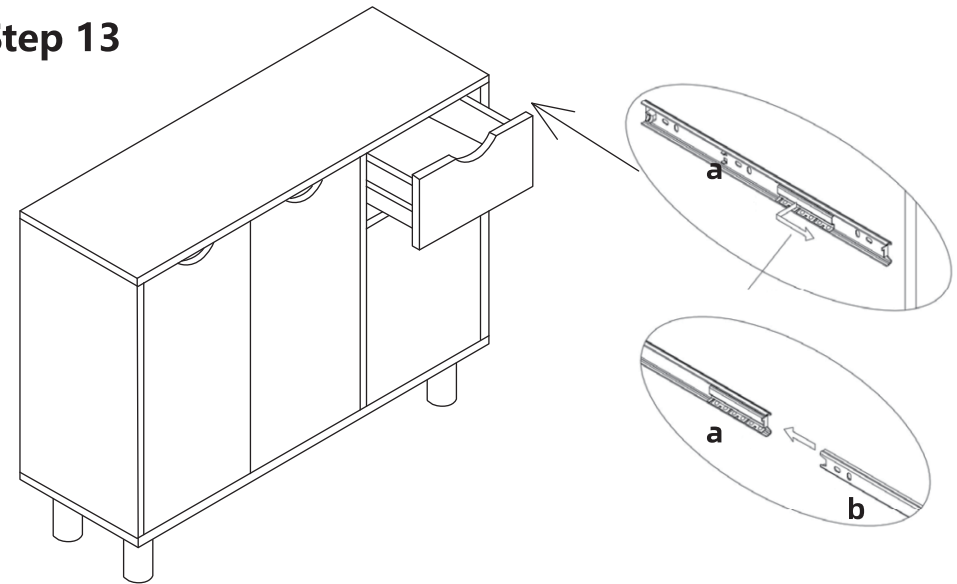
In the interest of our environment please dispose of all packaging thoughtfully.

Assembly instruction

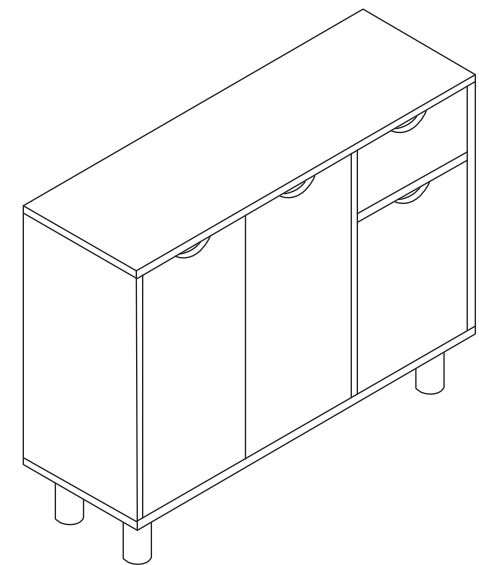
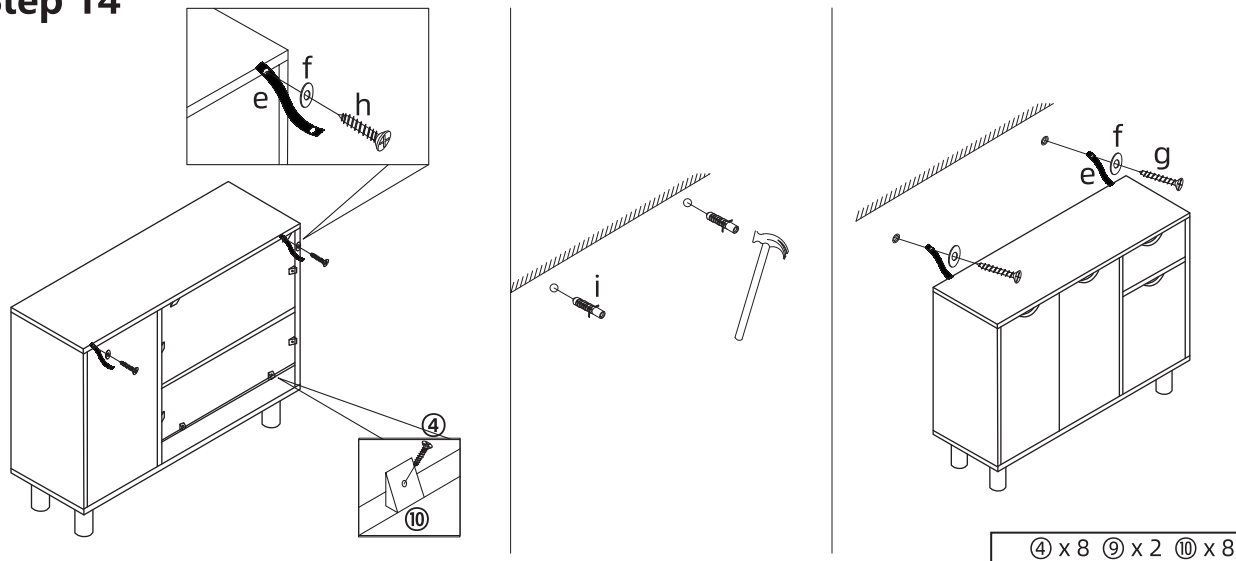
Step 12



Step 13



Step 14



Job complete

In the interest of our environment please dispose of all packaging thoughtfully.