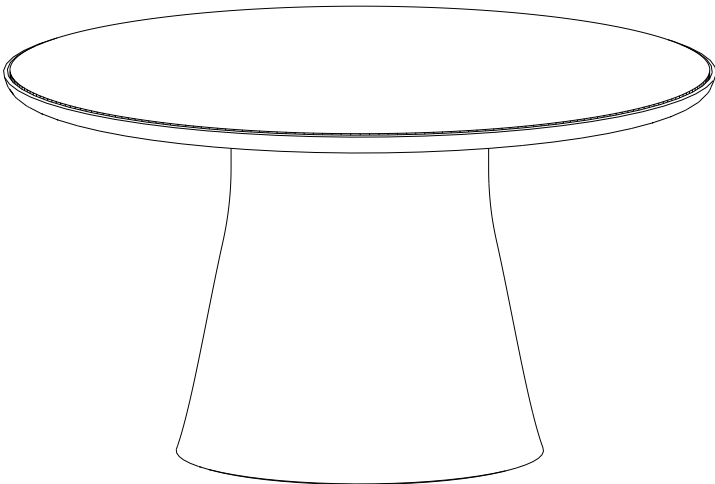



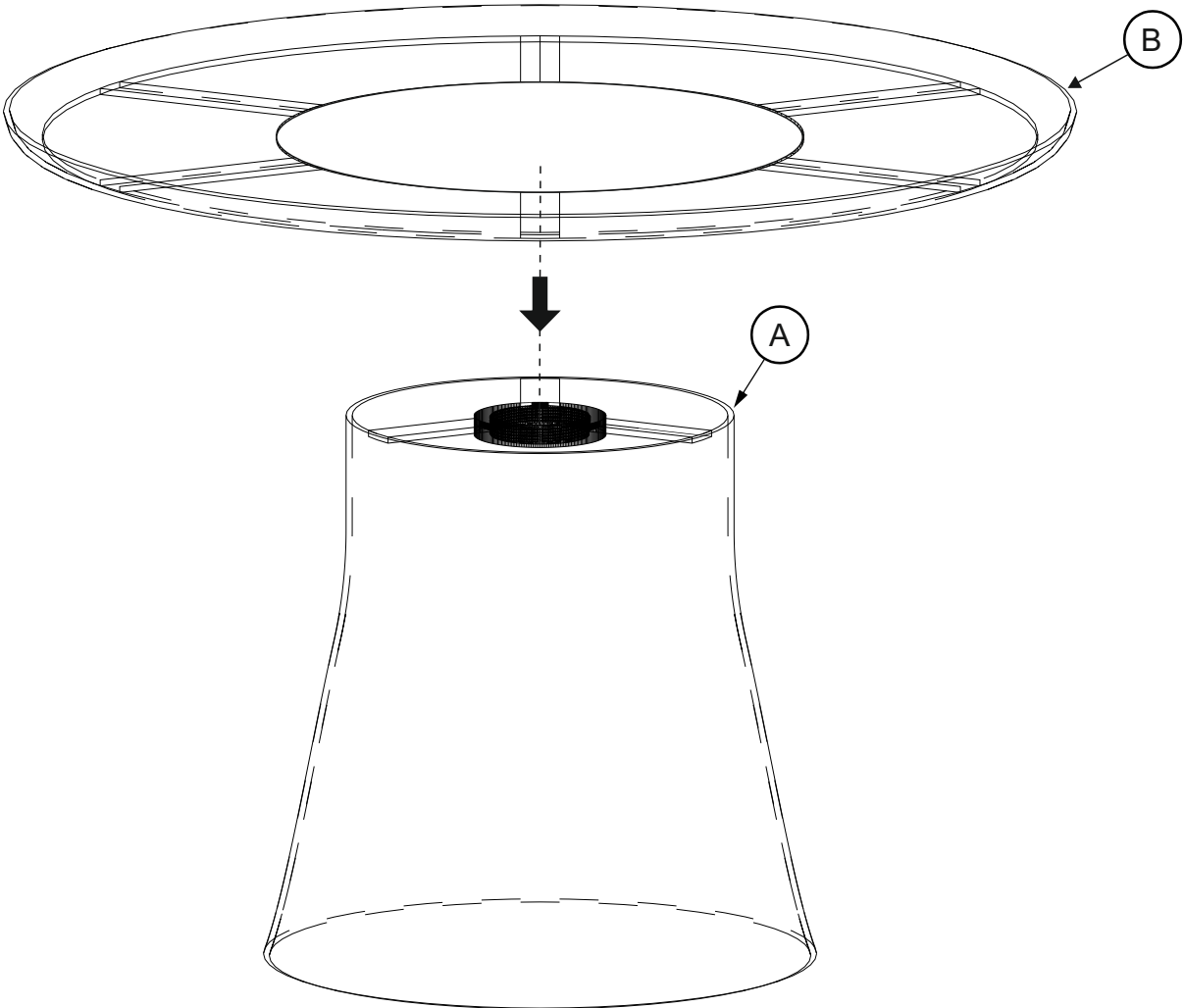


ASSEMBLY INSTRUCTION FOR

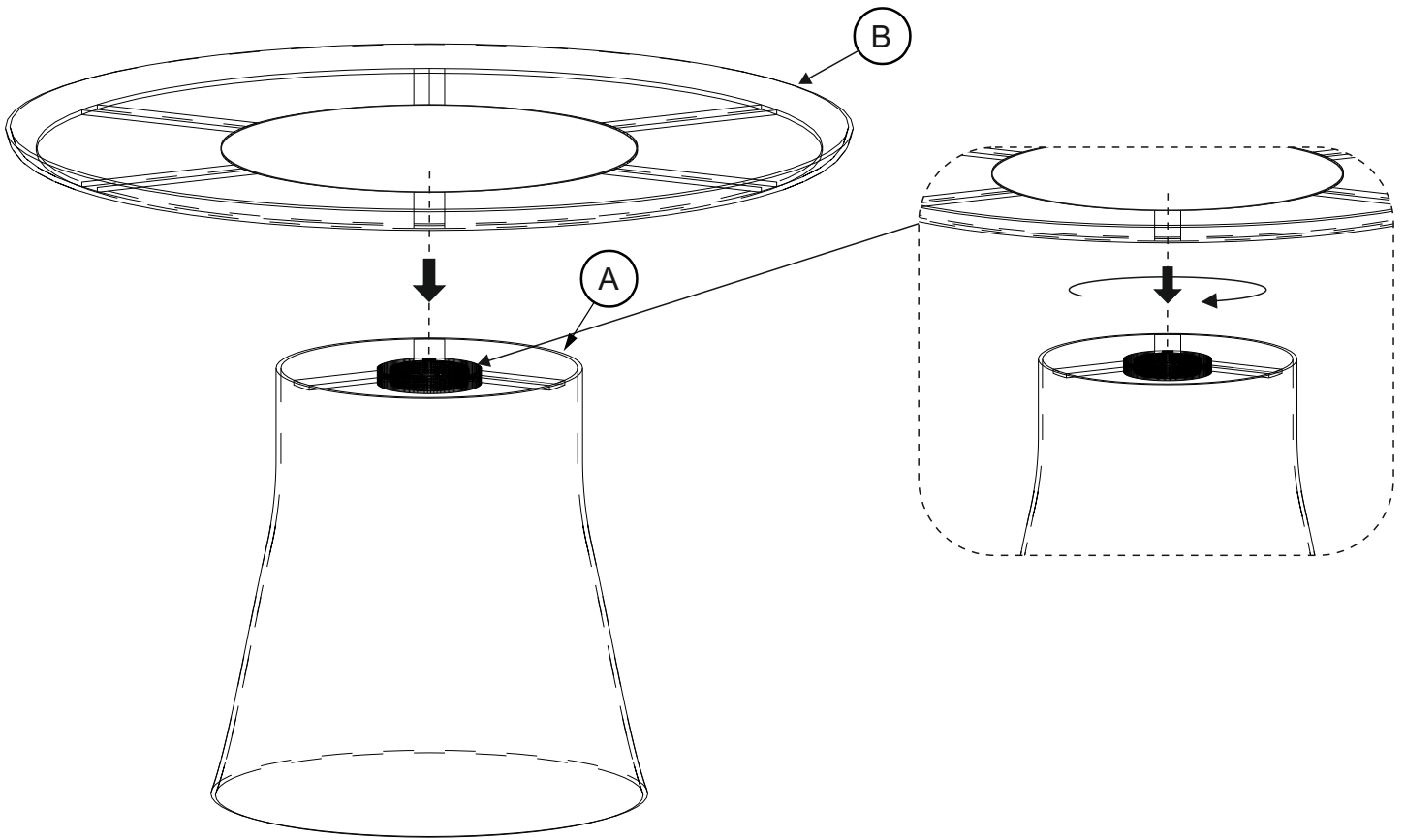
OUTDOOR DINING TABLE



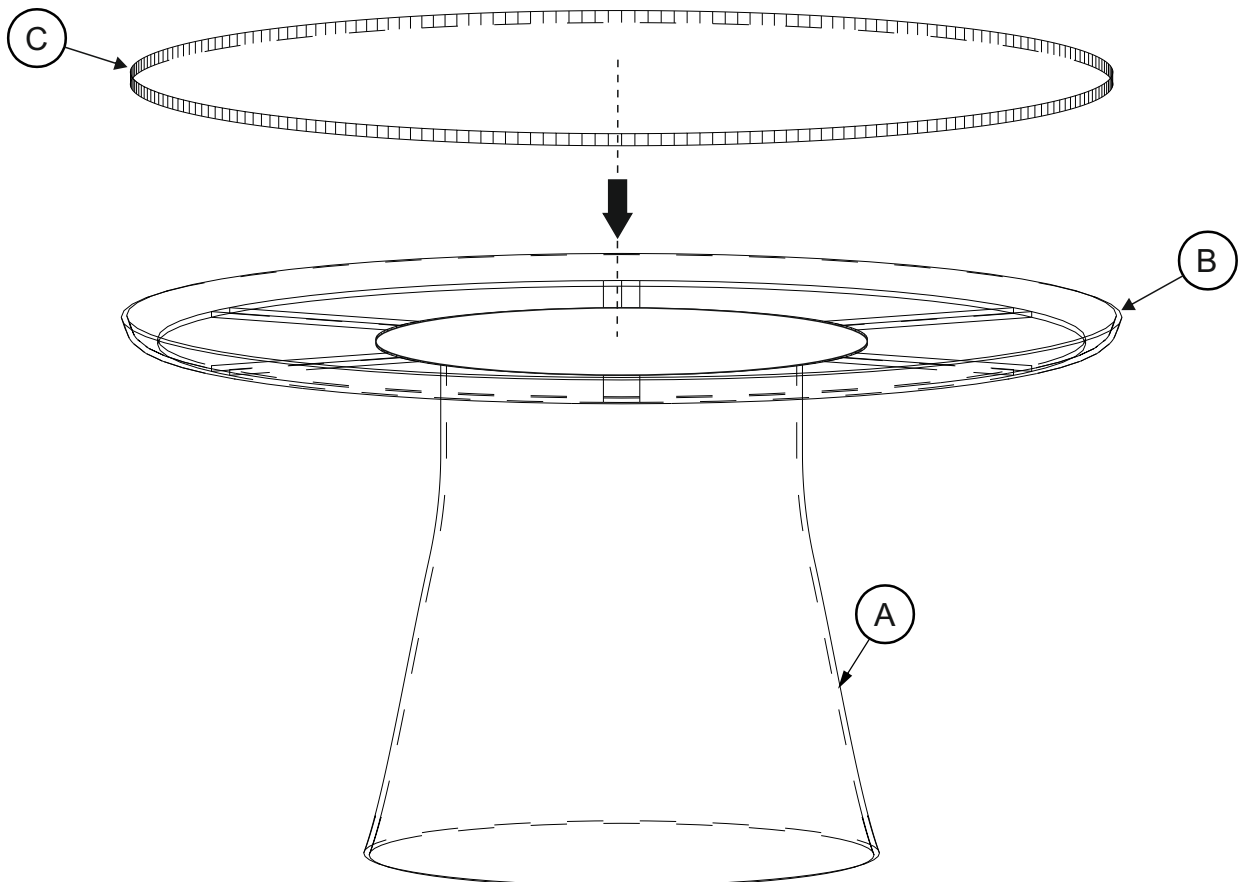
HARDWARE LIST				
A		BASE	Ø457.2 X 317.5 X 730.25 mm	1
B		METAL TOP	Ø1041.4 X 31.75 mm	1
C		MARBLE TOP	Ø X 18 mm	1



Step 1



Step 2



Step 3

