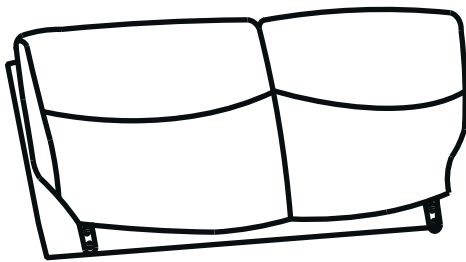


ASSEMBLY INSTRUCTION

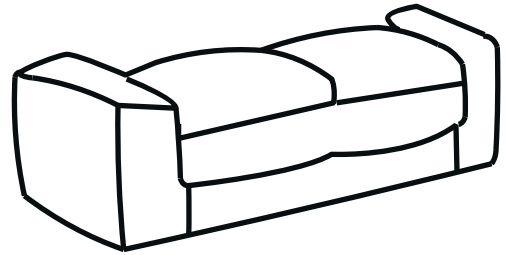
EATER LOVESEAT

NOTE: Do not use power tools for assembly. Power tools increase the risk of over tightening which lead to splitting or cracking the wood.

COMPONENT LIST



(A) BACK REST *1



(B) SEAT*1



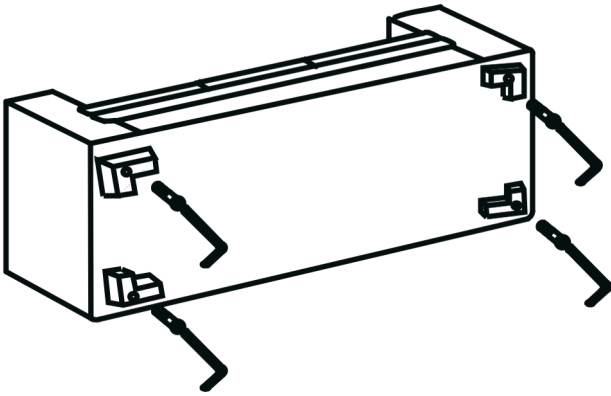
(C) ARM REST *2

PARTS LIST		
Description	Drawings	Quantity
Feet		4pcs
Screw		4pcs
Washer		4pcs
Allen key		1pcs

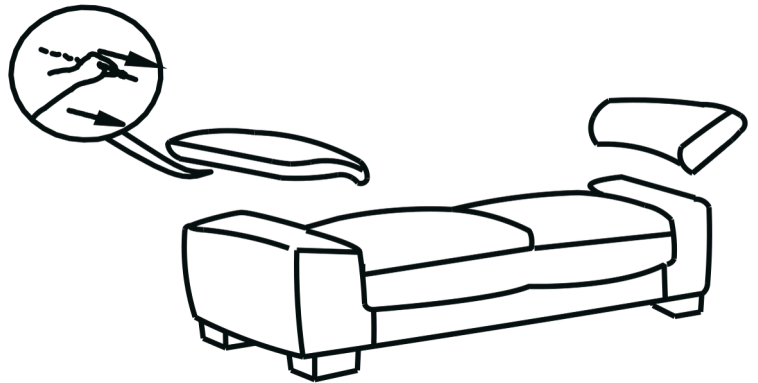
(D) PART LIST

ASSEMBLY STEPS

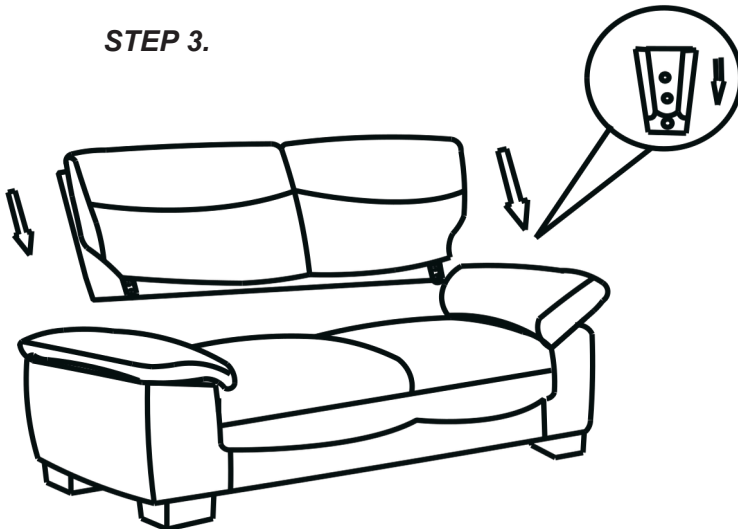
STEP 1.



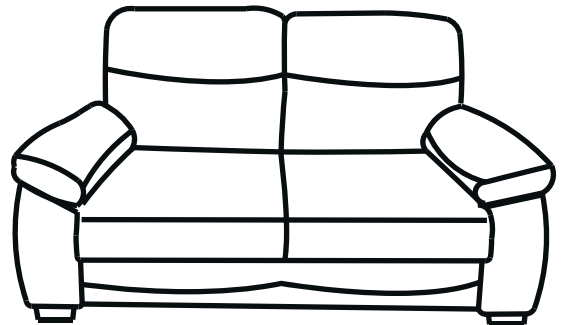
STEP 2.



STEP 3.



STEP 4.



CARE INSTRUCTION FOR PU FURNITURE

- Avoid exposing furniture directly to sunlight or heating and air conditioning outlets. Exposure to sunlight or heating and air conditioning outlets will fade/damage PU/Fabric
- Wipe gently with a damp soft cloth to remove dust, dirt and any grime buildup.
- Dry the PU match/Fabric with a dry soft cloth.
- Rub the PU/Fabric match with professional cleanser.