



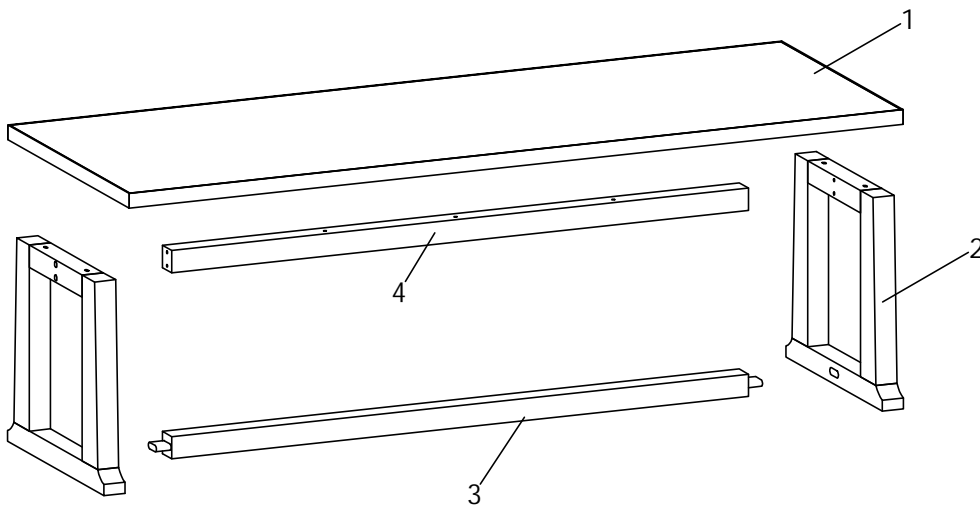
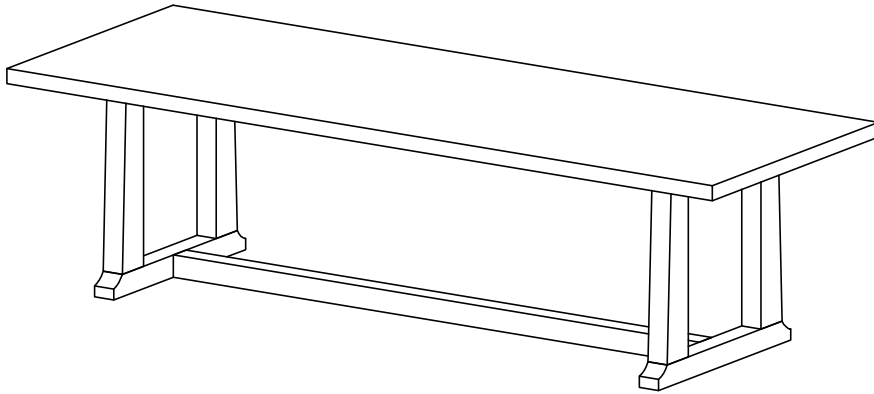


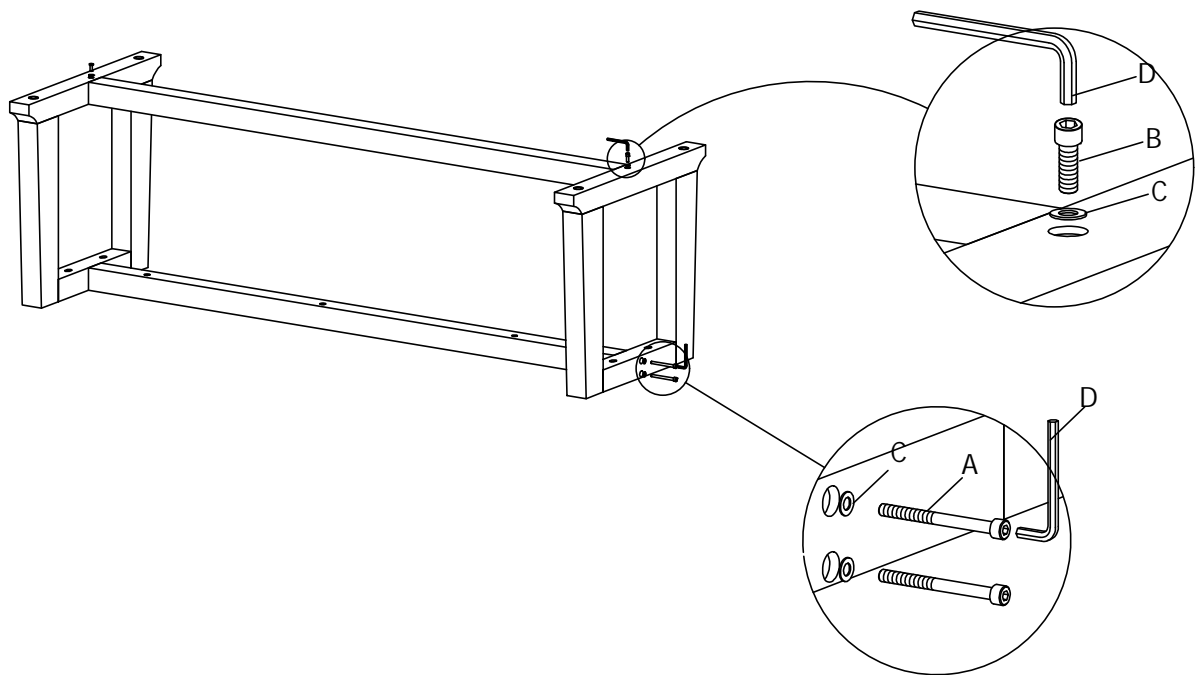
# ASSEMBLY INSTRUCTION FOR

## MODEL: Dining Table 110"

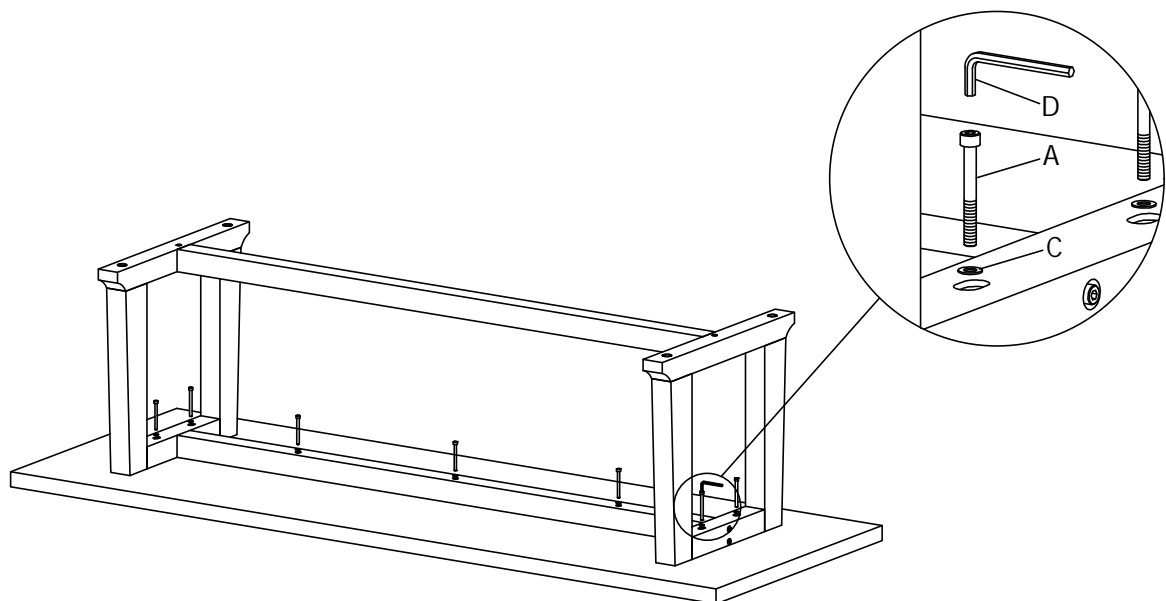
HARDWARE LIST				
A		Bolts	M8x90	11
B		Bolts	M8x30	2
C		Flat washer	8-16	13
D		Allen Wrench	6	1



Step 1



Step 2

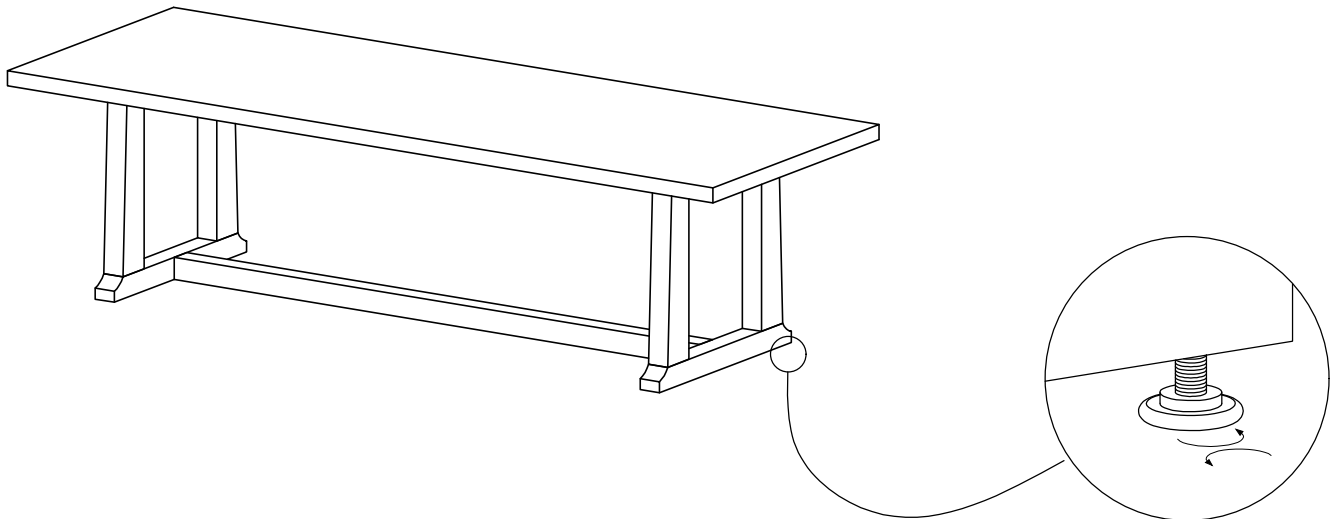


## Adjusting Floor Levelers

**Check for Stability** - Place the furniture in its final position on a level surface. If it wobbles or doesn't sit evenly, the floor levelers need adjusting.

**Locate the Levelers** - These are small adjustable feet found at the bottom corners of your furniture.

**Adjust as Needed** - Using your hand or a wrench, turn the levelers clockwise to raise or counterclockwise to lower the furniture. Make small adjustments and check stability after each turn.



If you need further adjustments, repeat the process in small increments.