

# ASSEMBLY INSTRUCTIONS

## TOOLS REQUIRED:

Allen Wrench (Provided, Part E)  
Phillips screwdriver (Not Provided)

## BEFORE YOU START:

1. Check the hardwares against the hardware list to make sure all items are present.
2. Assemble your furniture on a soft, flat surface to avoid scratching the finish.
3. **CAUTION:** Do not over tighten screws, nuts or bolts during assembly.
4. Your furniture may require occasional tightening.

## INSTRUCTIONS:

1. Turn the console on to a clean soft surface.
2. Attach front legs to the Entertainment Console using Bolt (A), Lock Washer (B), Flat Washer (C), Short Bolt (D) and tighten with the Allen Wrench (E). As Shown in Figure 1 & 2.
3. Attach metal stretchers to the front legs using Short Bolt (D), Lock Washer (B) and Flat Washer (C) and tighten with the Allen Wrench (E). As Shown in Figure 3. (Do not tighten bolts).
4. Attach back legs to the Entertainment Console and metal stretcher using Short Bolt (D), Lock Washer (B), Flat Washer (C) and tighten with the Allen Wrench (E). As Shown in Figure 4.
5. Repeat step 3 for leg. As show in Figure 3.
6. Attach handle (F) to the door using screw (G) As show in Figure 5.
7. Tighten all bolts before setting console back upright.

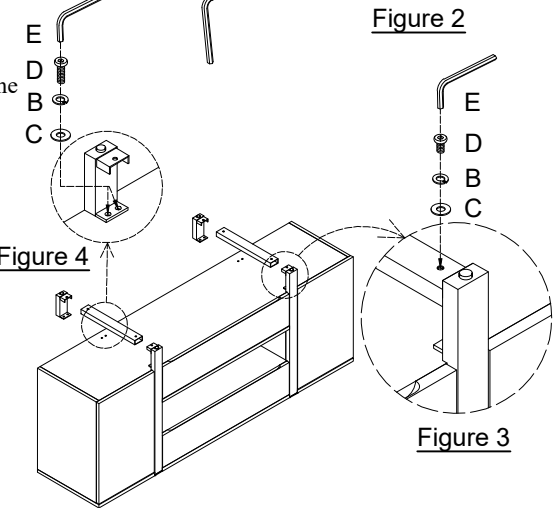
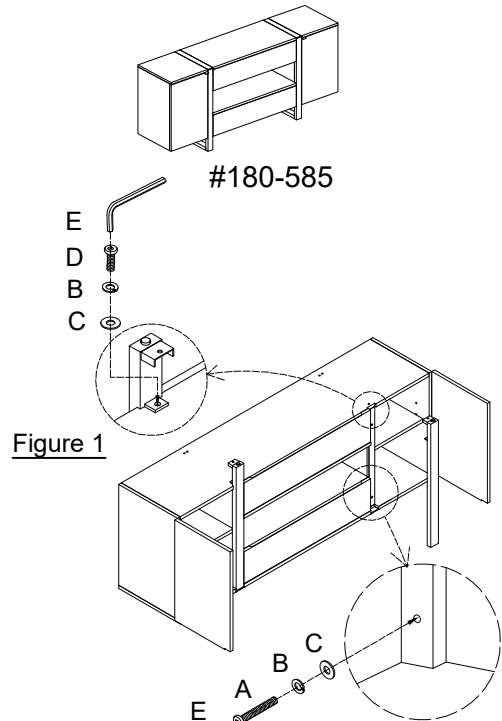





Figure 1

Figure 2

Figure 4

Figure 3

HARDWARE LIST			
A		Long Bolt (Ø1/4"*1-1/2")	4pcs
B		Lock Washer (Ø1/4")	14pcs
C		Flat Washer (Ø1/4*Ø3/4")	14pcs
D		Short Bolt (Ø1/4"*15MM)	10pcs
E		Allen Wrench (4MM)	1pcs
F		Handle	2pcs
G		Screw (#6*5/8")	4pcs

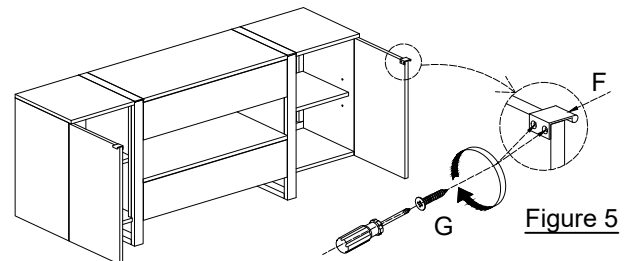


Figure 5