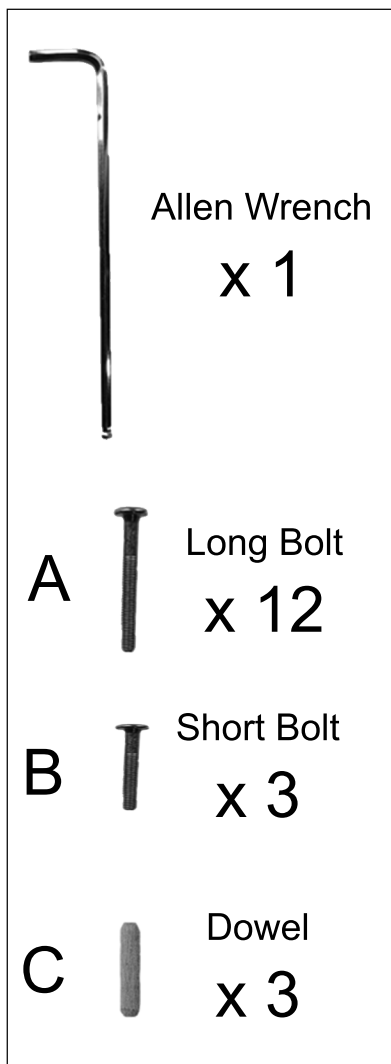
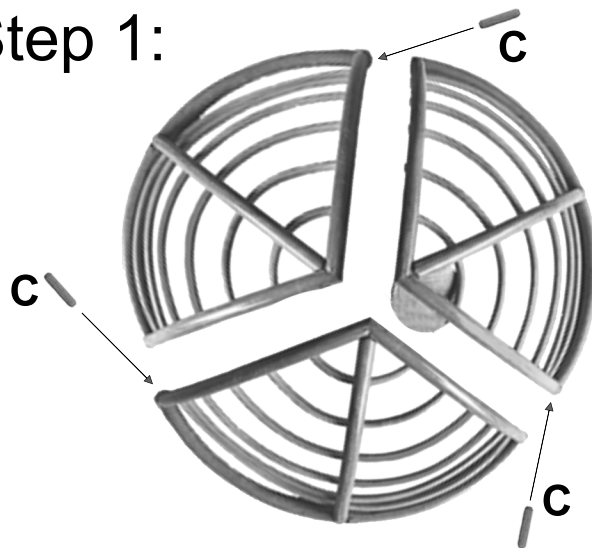


Assembly Instructions

Hardware

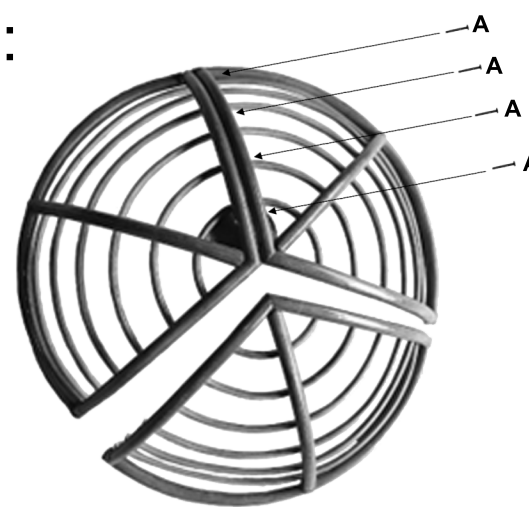


Step 1:



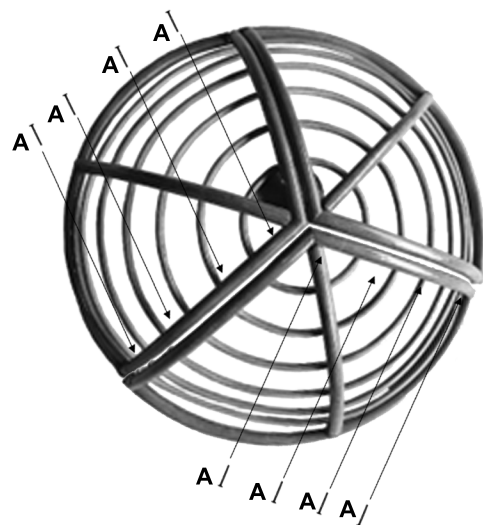
Insert dowels into pre-fitted holes in papasan bowl pieces

Step 2:



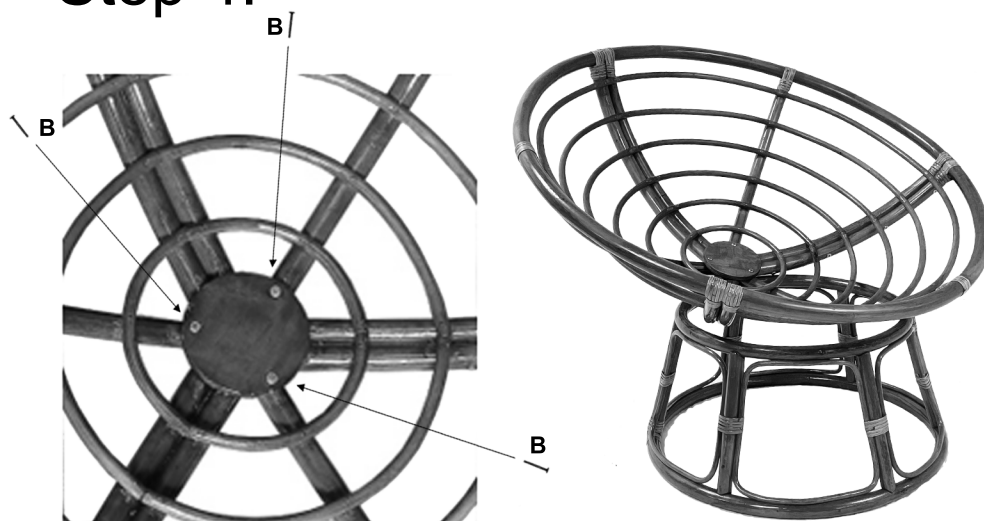
Join bowl piece with circular center part attached to another bowl piece using 4 of the longer bolts (Do not overtighten)

Step 3:



Attach remaining bowl piece in the same fashion as step 2, using remaining 8 long bolts (Do not overtighten)

Step 4:



Using the 3 short bolts, attach the center circle connector to the 3 sections of the papasan bowl. (Do not overtighten)
Add a cushion, and enjoy your new papasan!