

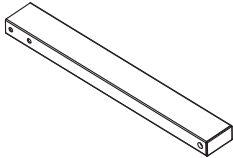
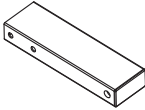
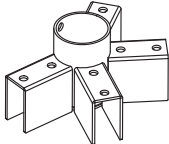
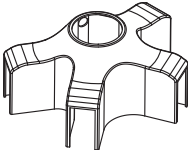
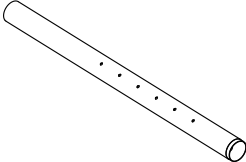
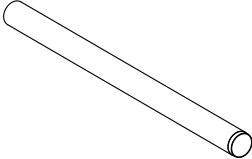

Assembly Instructions for TV Trolley Stand


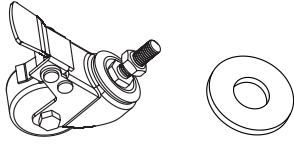
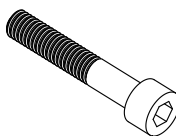
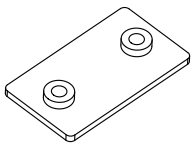
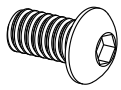
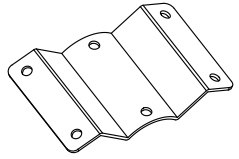
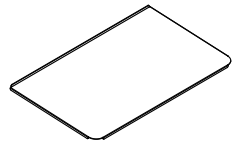
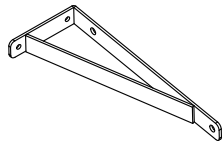
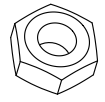
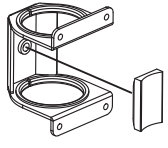
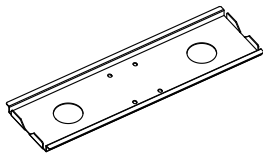
Thanks for choosing our stand. This stand was designed for mounting flat panel televisions weighing up to 25 kg. The height of TV can be easily adjusted. The integrated wheels provide ease of movement.


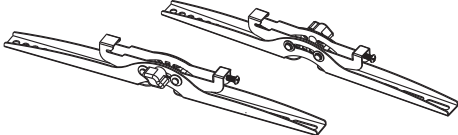
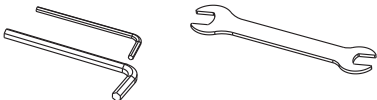





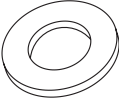
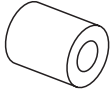

Safety Warning: If you do not understand these directions, or have any doubts about the safety of the installation, please call a qualified contractor. Check carefully to make sure there are no missing or defective parts. Never use defective parts. Improper installation may cause damage or serious injury. Do not use this product for any purpose that is not explicitly specified in this manual. We can not be liable for damage or injury caused by incorrect mounting, incorrect assembly, or incorrect use.

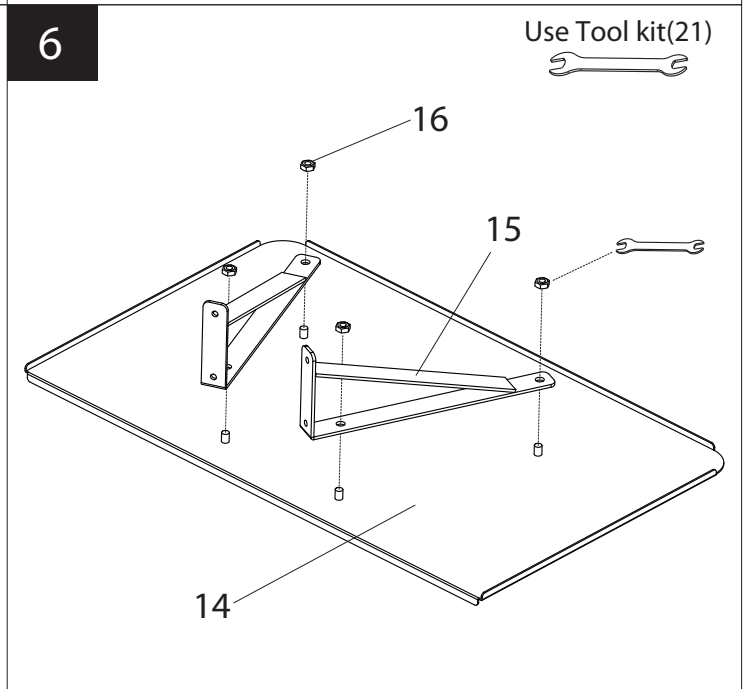
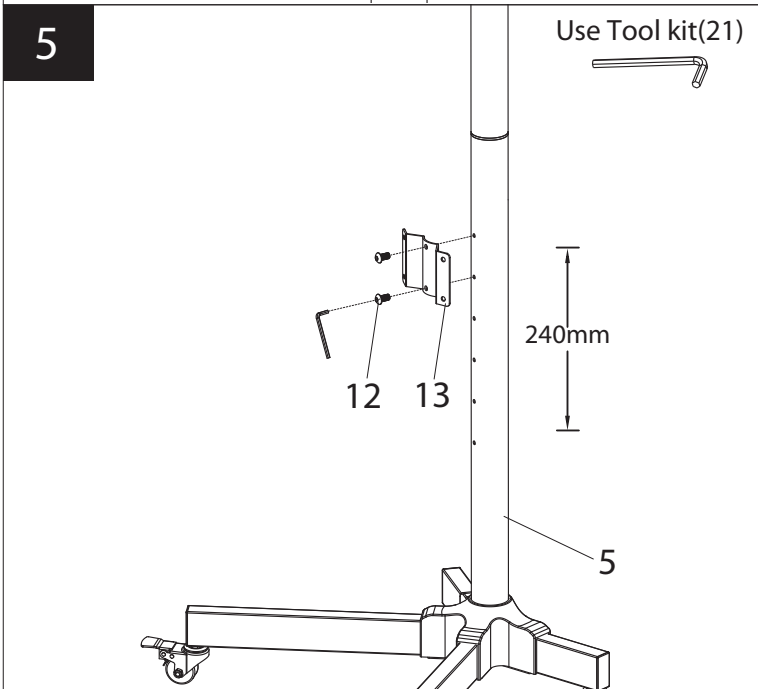
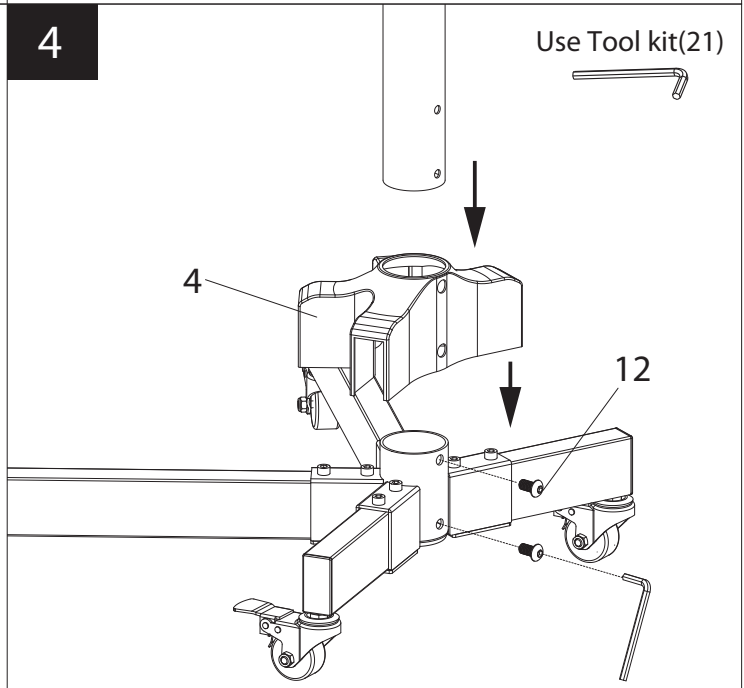
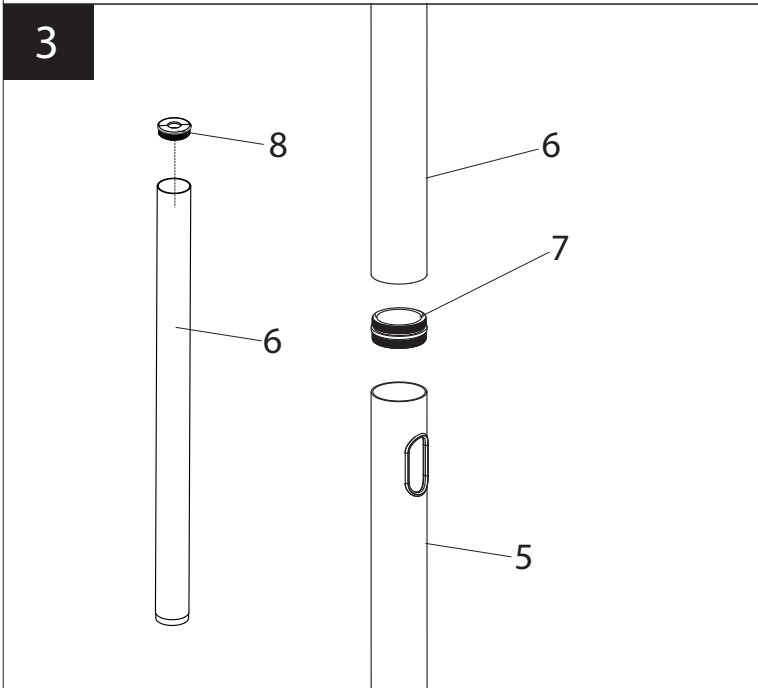
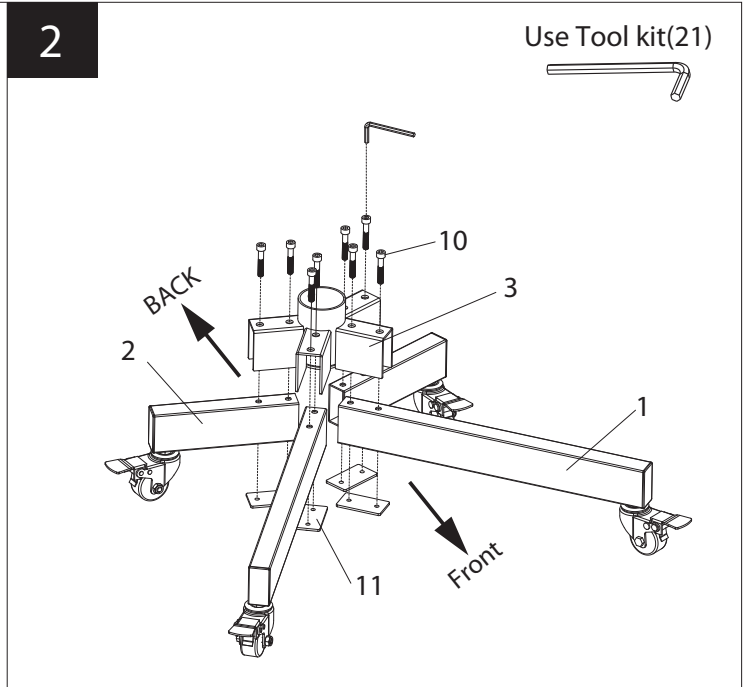
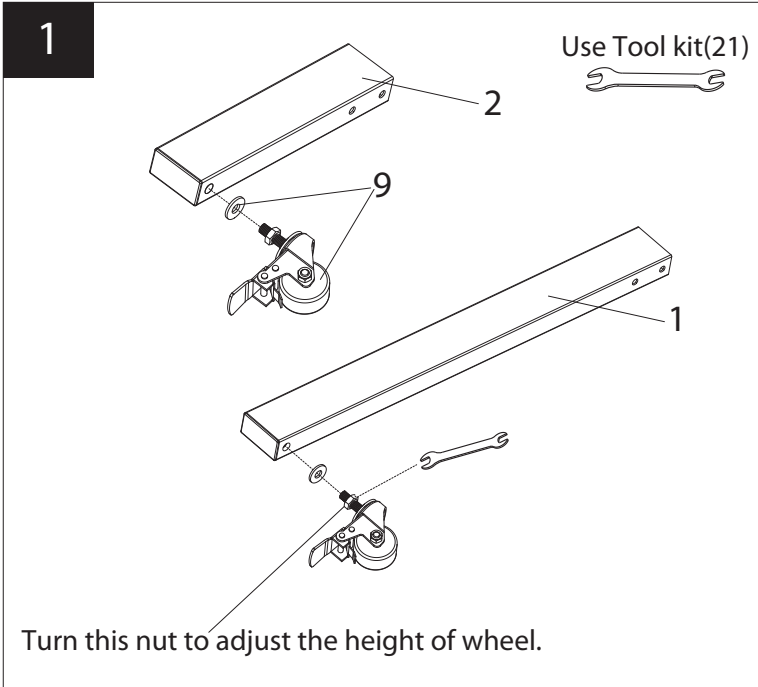
Required Tools: Phillips screw driver.

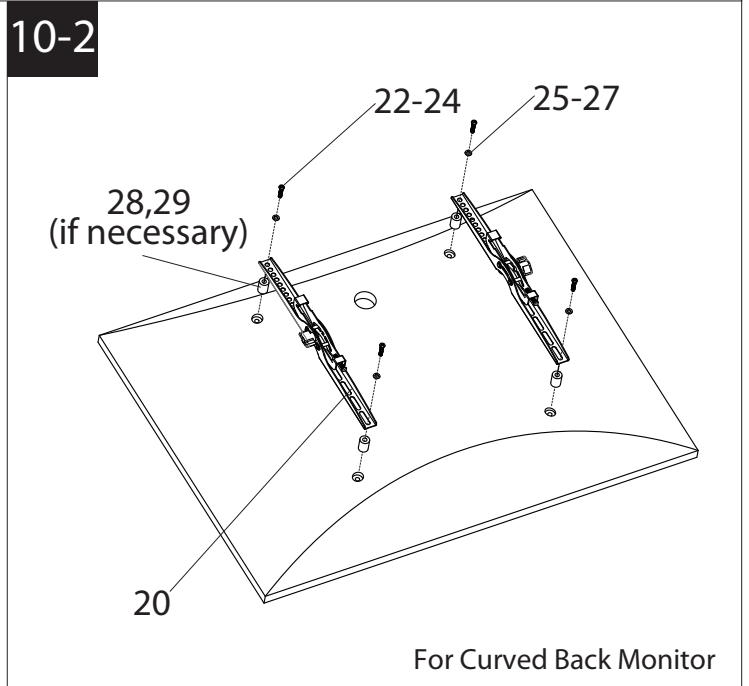
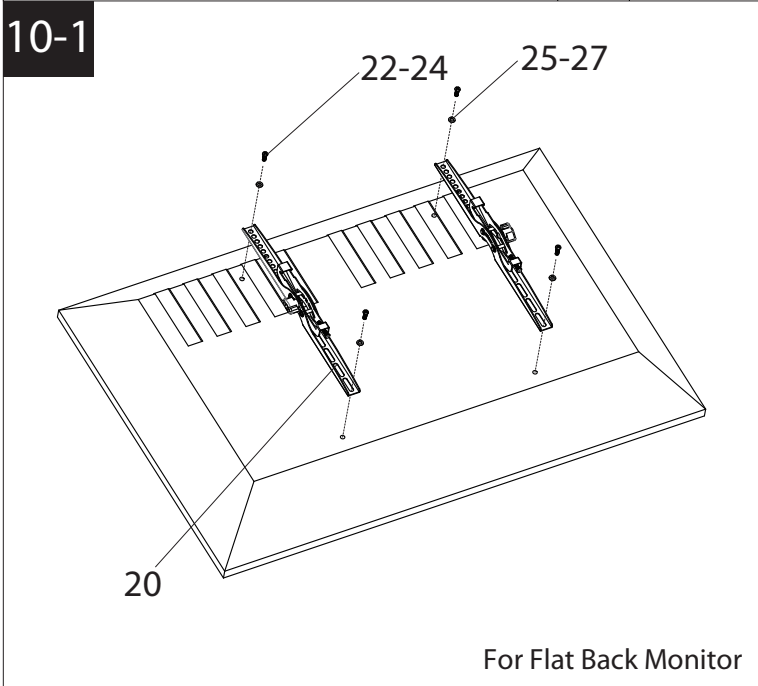
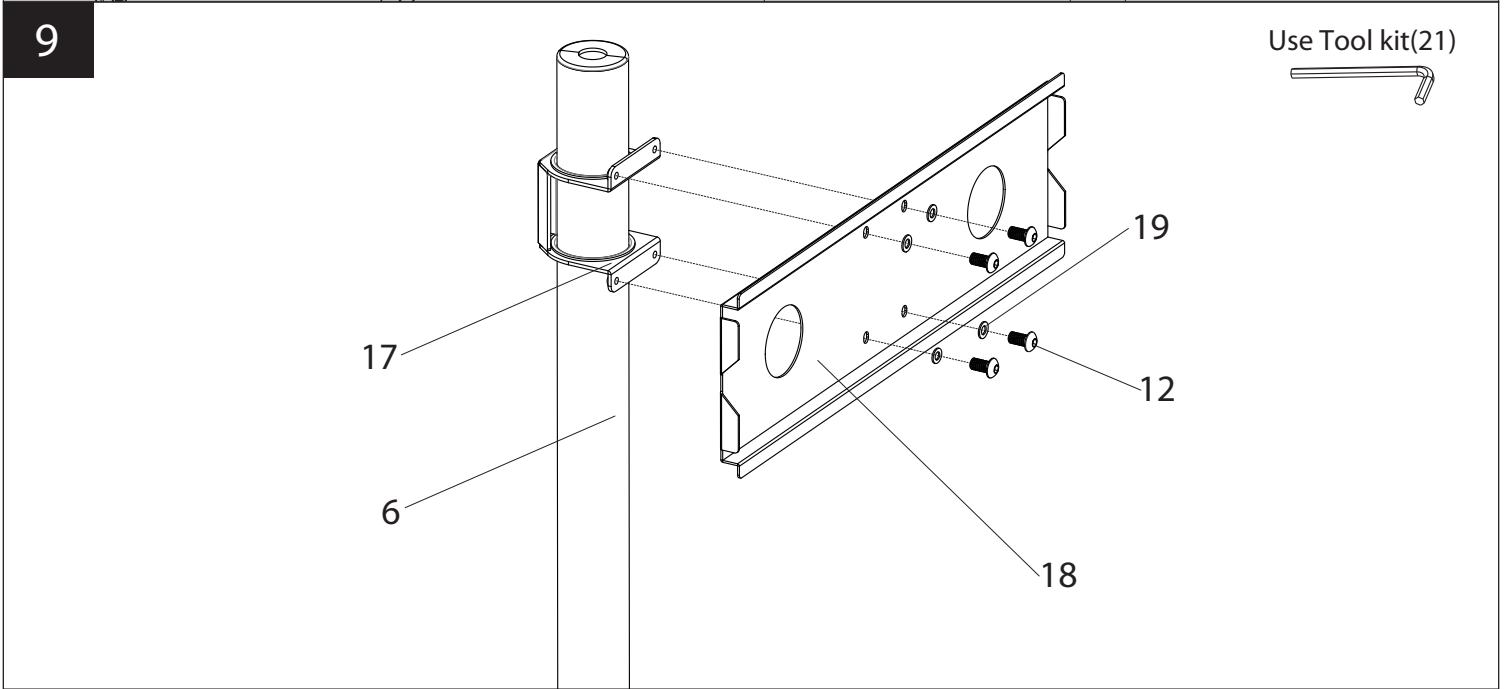
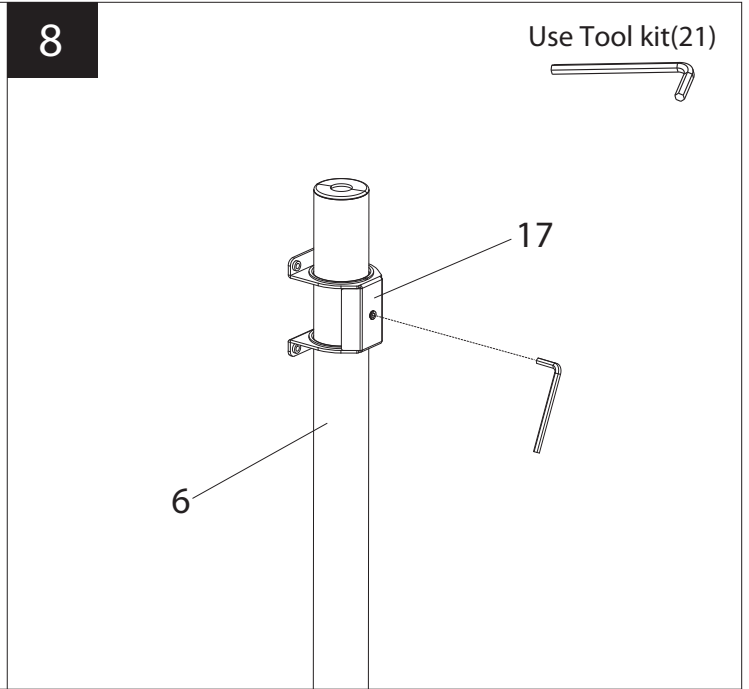
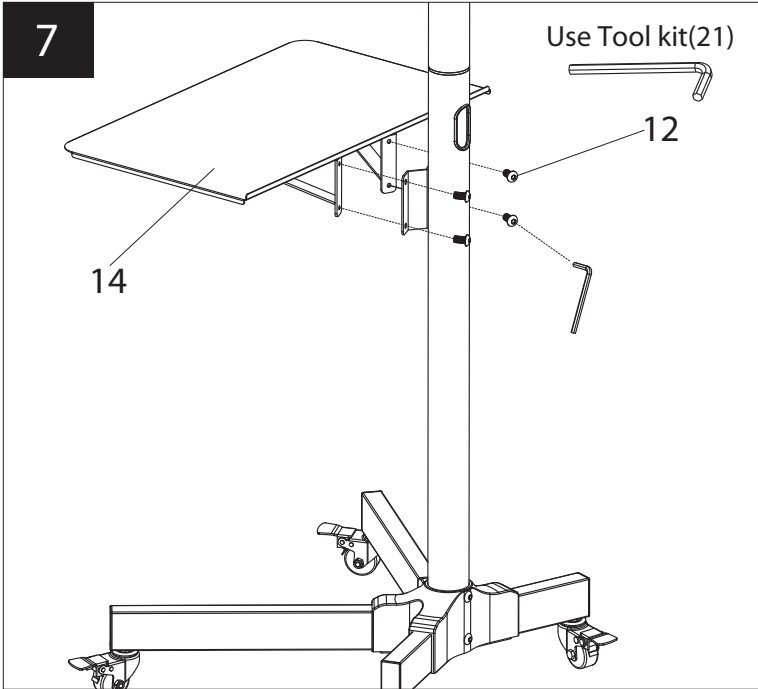
Supplied Parts

No.	Picture	Description	Quantity
1		Long square tube	2
2		Short square tube	2
3		Tube connector	1
4		Tube connector cover	1
5		Pole with shelf add-on holes	1
6		Pole without holes	1
7		Pole connector	1

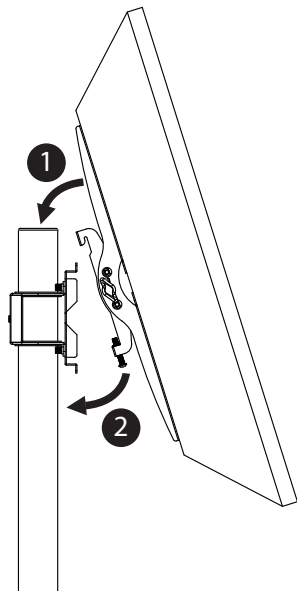
No.	Picture	Description	Quantity
8		Pole cover	2
9		Wheel & Washer	4
10		M6x60 allen head bolt	8
11		M6 socket plate	4
12		M6x10 allen head bolt	12
13		Shelf support connecting plate	1
14		Shelf	1
15		Shelf support	2
16		M6 nut	4
17		Square plate connector & Rubber Pad	1
18		Square plate	1

No.	Picture	Description	Quantity
19		M6 washer	4
20		TV arm set	1
21		Tool kit	1
22		M4x12 bolt M4x30 bolt	4
23		M6x20 bolt M6x35 bolt	4
24		M8x20 bolt M8x35 bolt	4
25		M4 washer	4
26		M6 washer	4
27		M8 washer	4
28		M4 spacer	4
29		M6/M8 spacer(5mm)	8

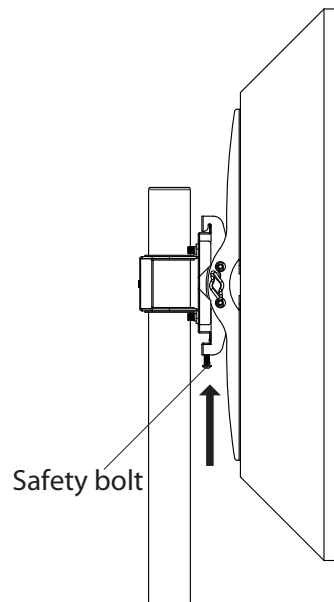




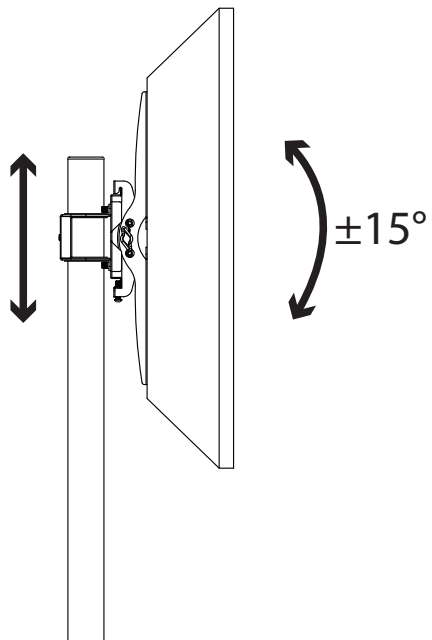
11



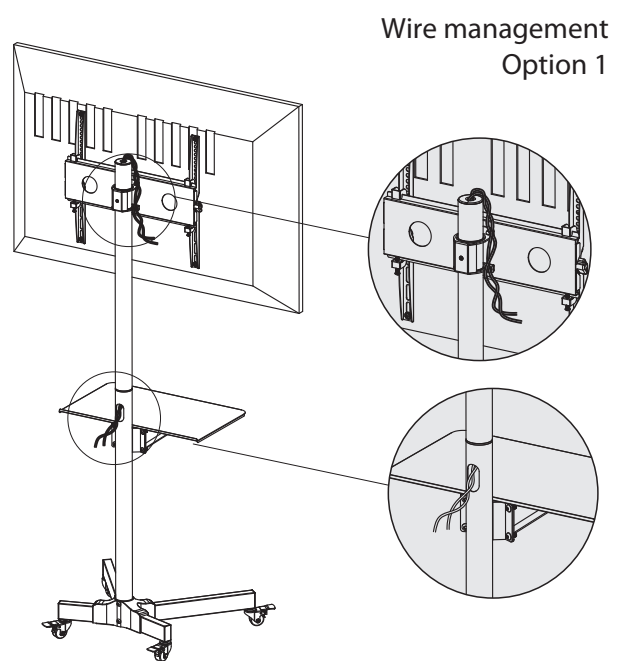
12



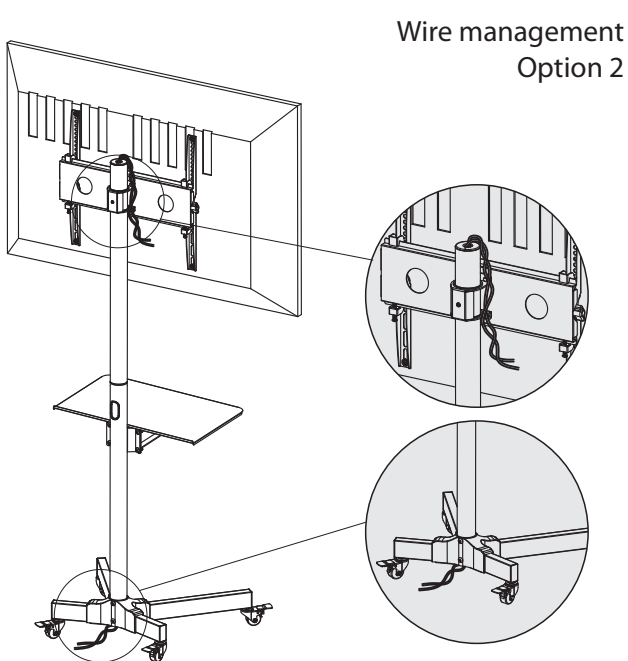
13



14-1



14-2



14-3

