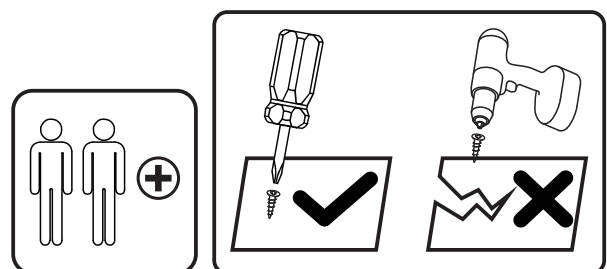
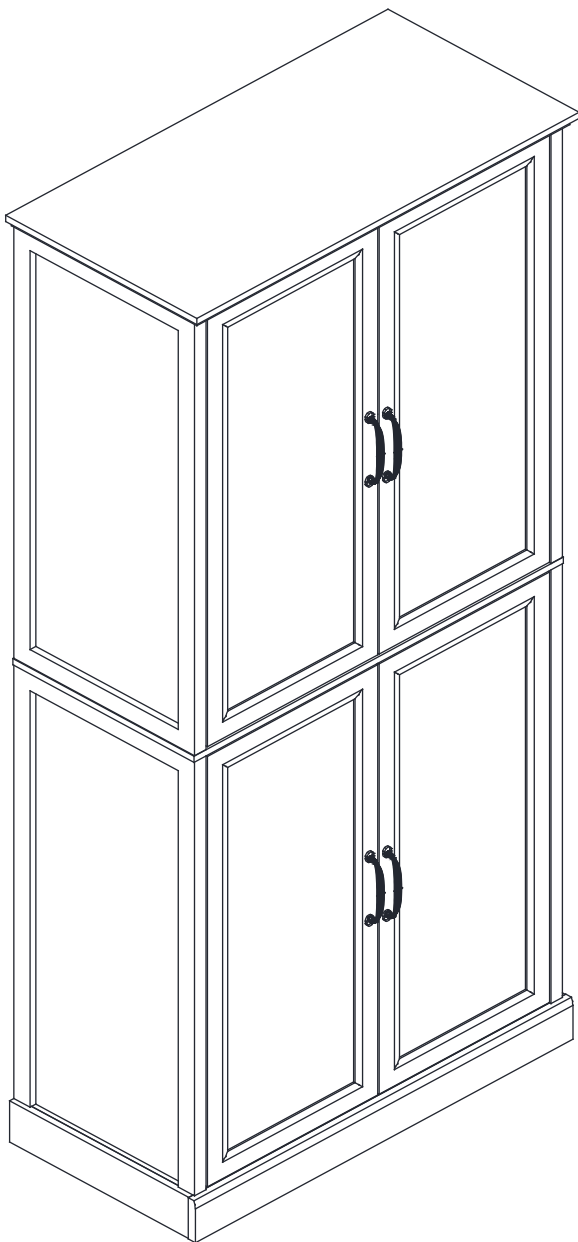


ASSEMBLY INSTRUCTIONS

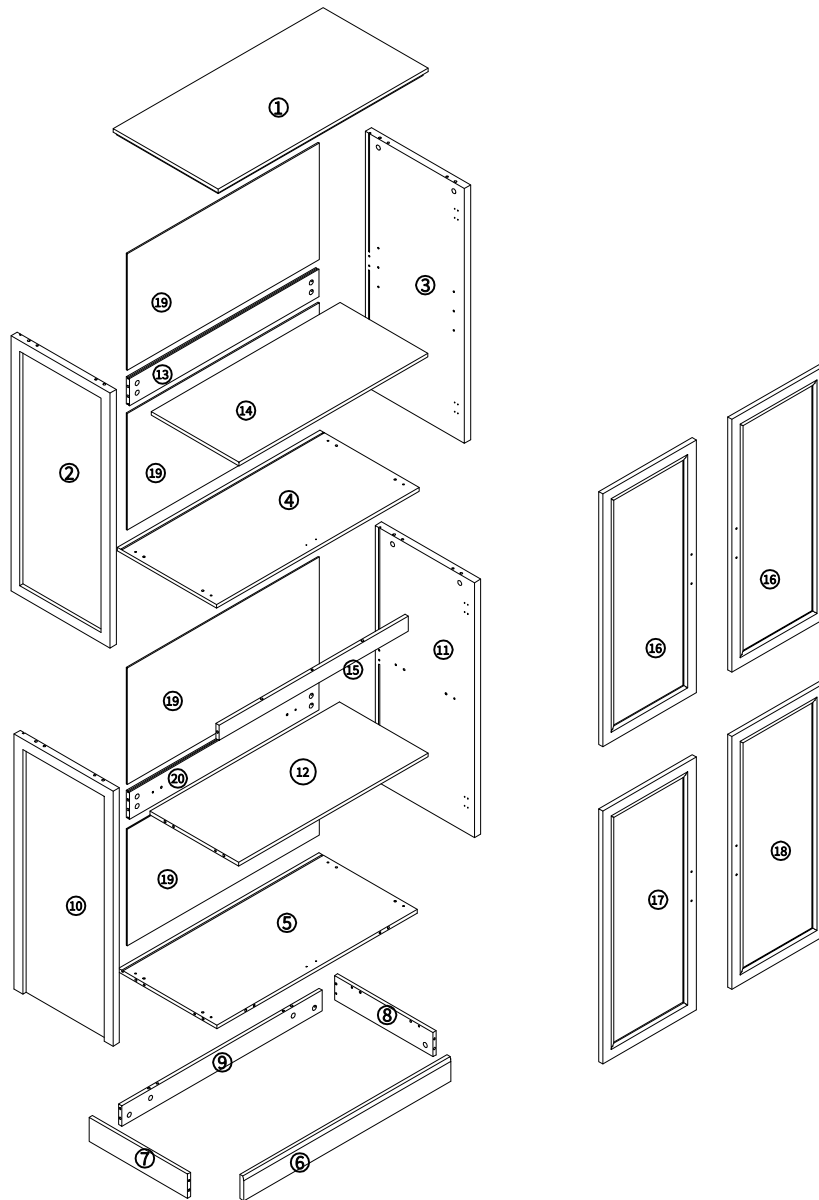
Customer Service : cs@nbrehome.com

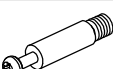






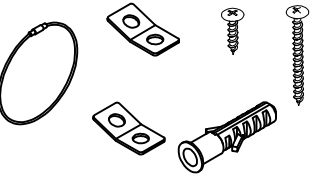












Tools Recommended

THIS INSTRUCTIONS CONTAINS IMPORTANT SAFETY INFORMATION.
PLEASE READ BEFORE ASSEMBLY AND KEEP FOR FUTURE REFERENCE.

Need Parts or Assistance? Email us : cs@nbrehome.com

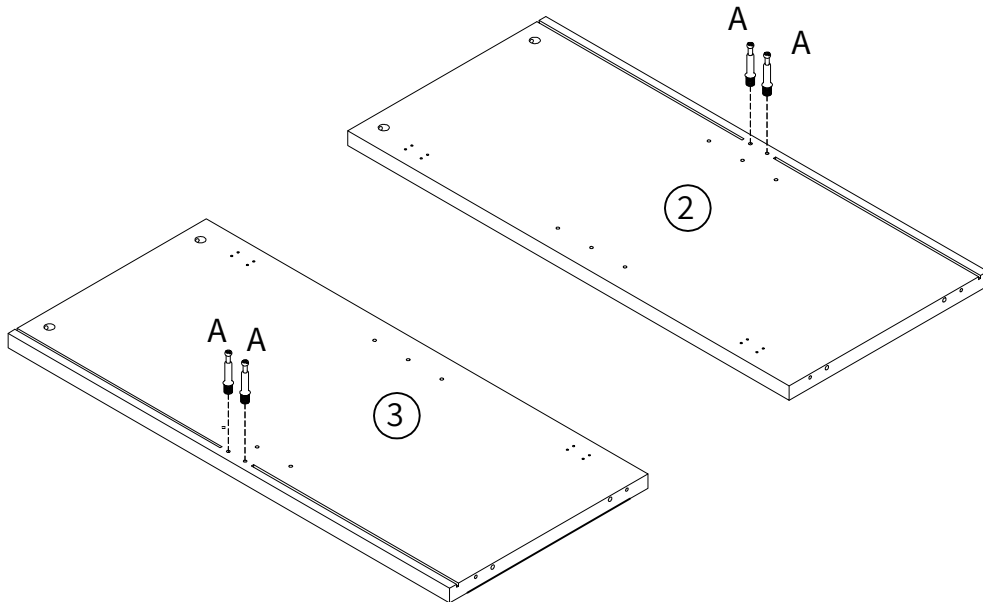


Ax36  M6*35 mm	Bx36  Ø15*10 mm	Cx27  Ø6*30 mm	Dx10  Ø8*M4*35 mm	Ex6  Ø6.5*M3*12MM	Fx4 	Gx8  f 9*M4*20MM
Hx2 	Ix16  15*13*10mm	Jx22  f 6.5*M3*16MM	Kx4  Ø5*9*12MM	Lx48  Ø7.5*M3.5*14MM	Mx8 	
	Nx3  45*16*14MM	Ox6  Ø33*12*1MM	Px2  105*20*3MM	Qx8  f 9*M4*14MM	Rx4  Ø6*50mm	

The installation direction should be aligned with the instructions to prevent plate breakage caused by product tipping during installation.

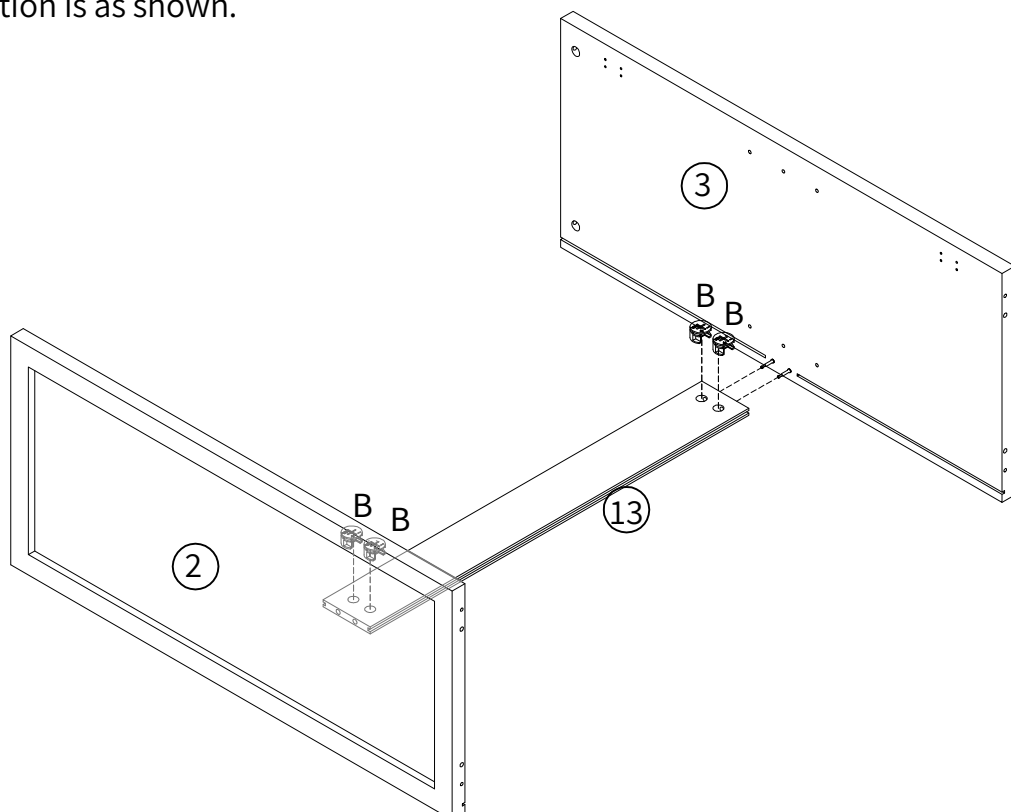
Step 1

Insert screws(A) into corresponding holes in part ② and ③ as soon.



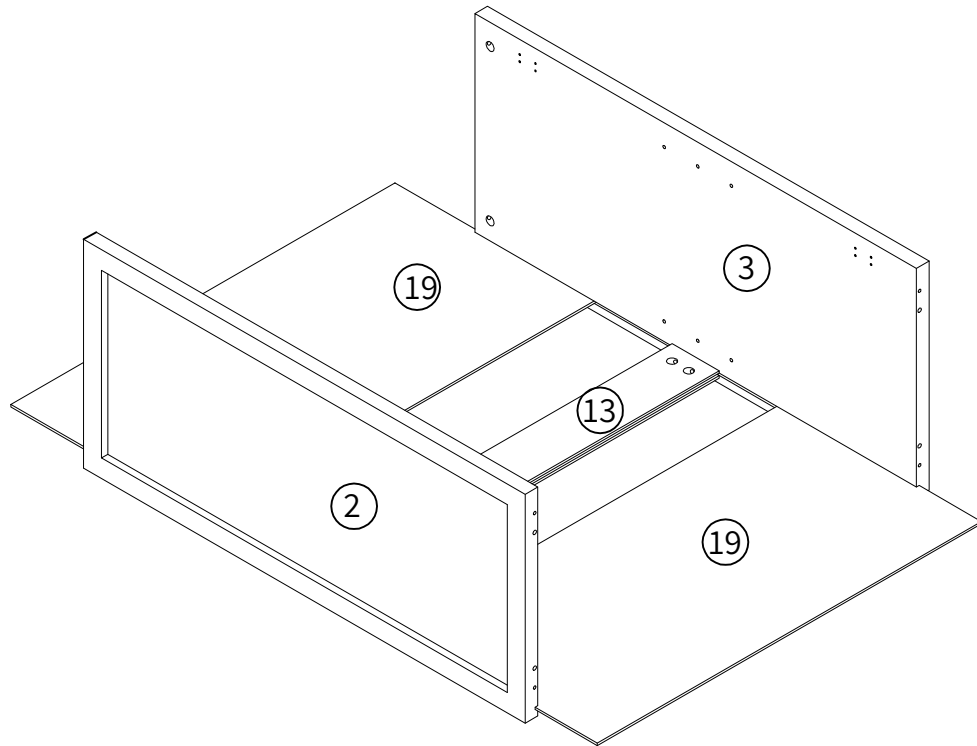
Step 2

Connect part ②③ to part ⑬ with eccentric wheels (B), put the eccentric wheels (B) into the corresponding holes on part ⑬ and use a screwdriver to turn it clockwise to tighten, the installation position is as shown.



Step 3

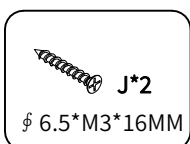
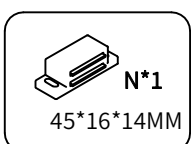
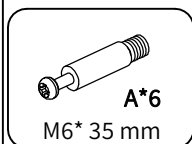
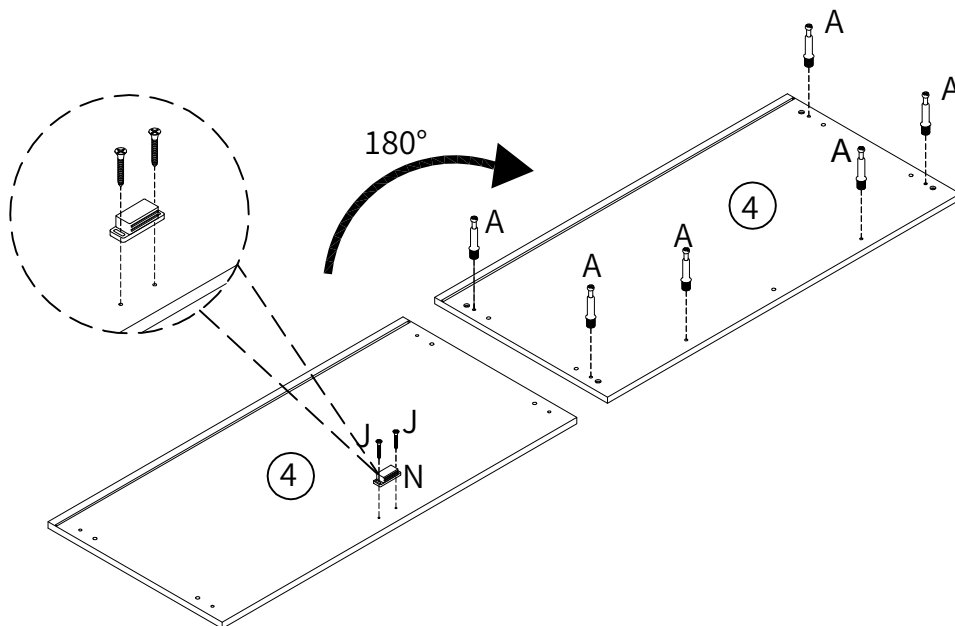
Insert part ⑱ into the corresponding groove of parts ② and ③.



Step 4

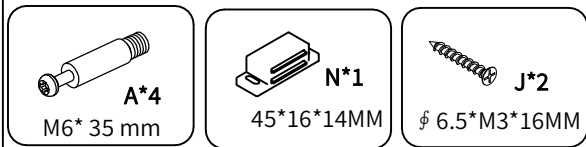
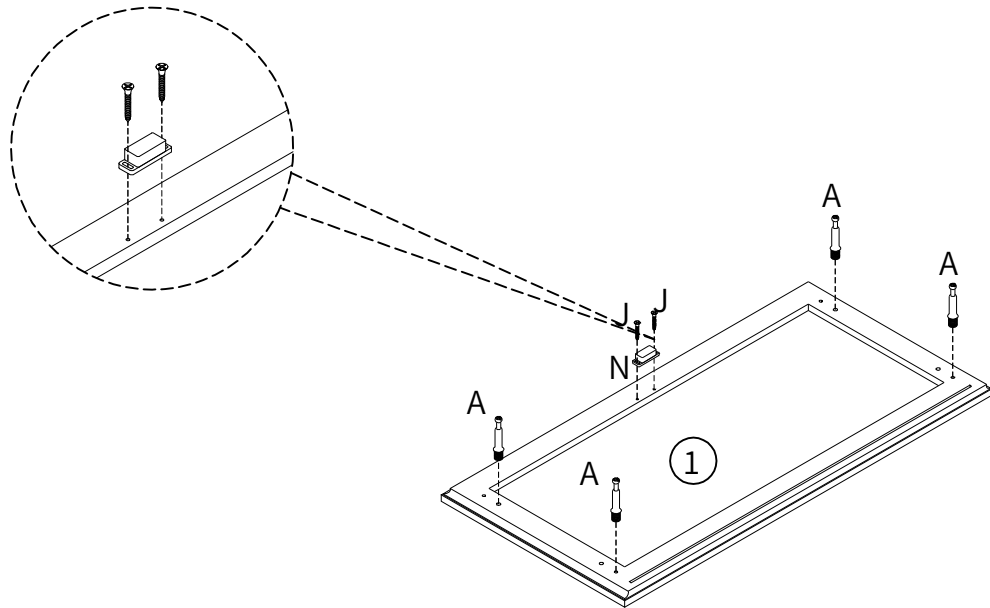
Use self tapping screws (J) to fix magnetic touch (N) on part ④.

Flip part ④ 180°, and insert screws (A) into the corresponding hole on part ④.



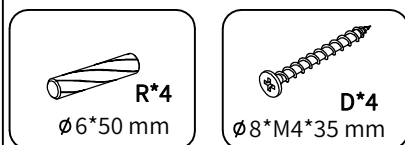
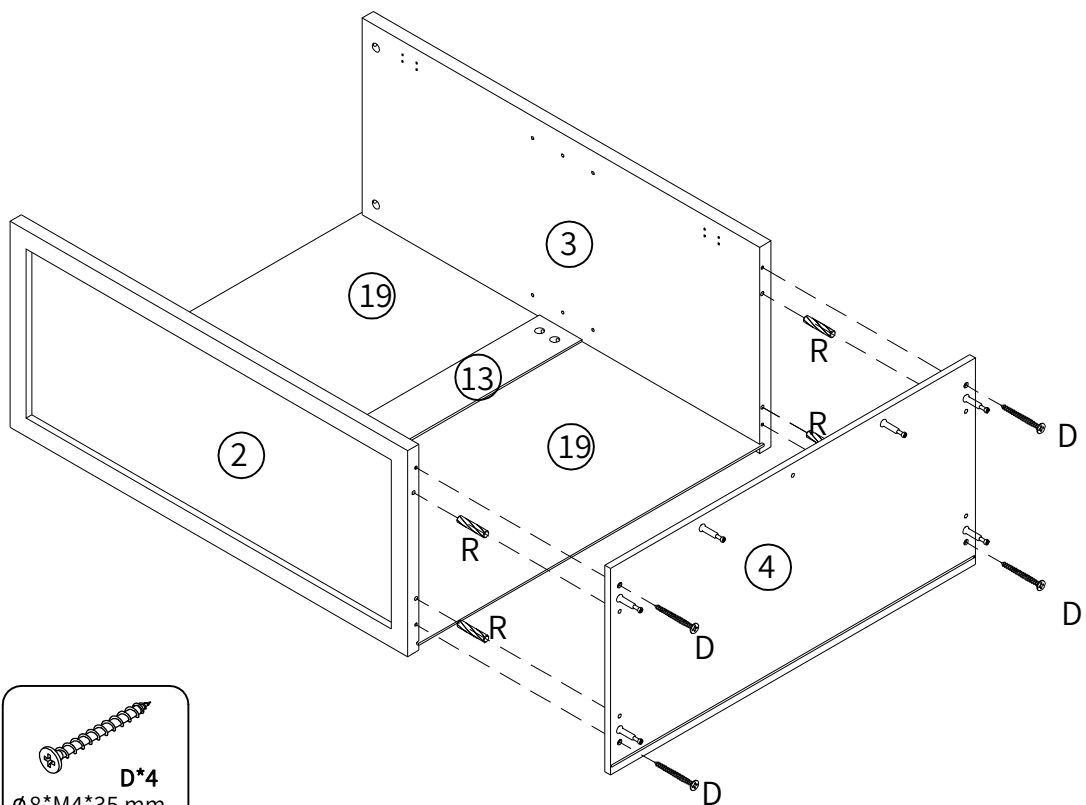
Step 5

Use self tapping screws (J) to fix magnetic touch (N) on part ①, and insert screws (A) into the corresponding hole on part ①.



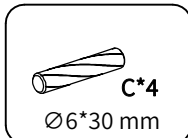
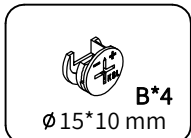
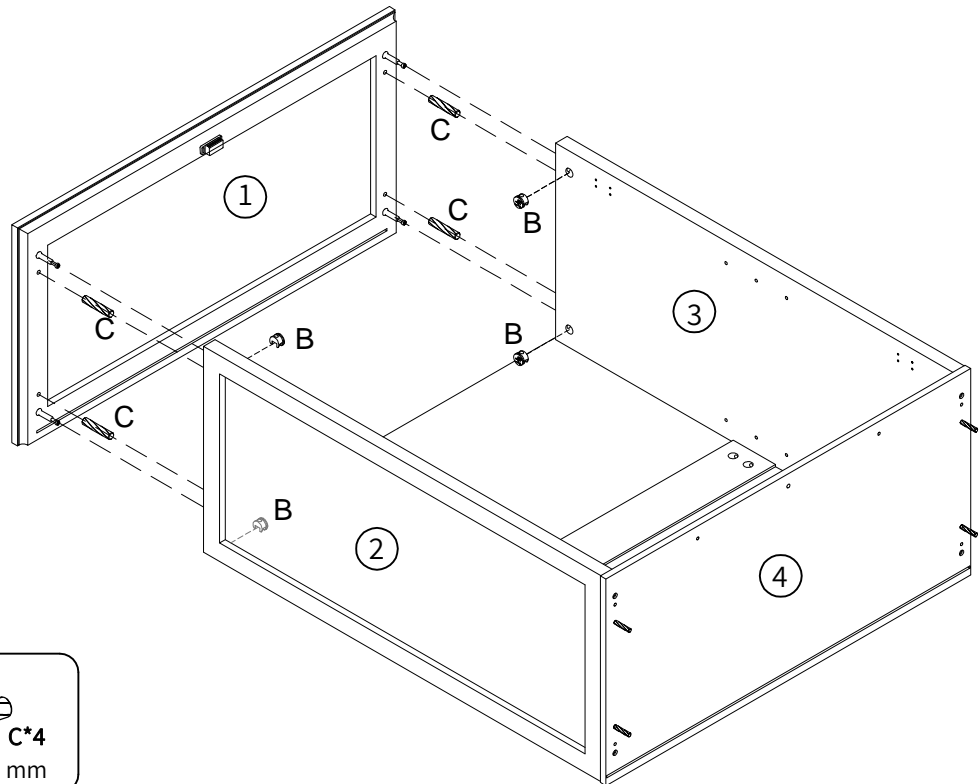
Step 6

Insert wooden dowel (R) on part ②③, connect part ④ to part ②③ with screw (D).



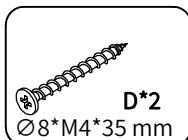
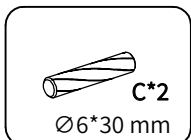
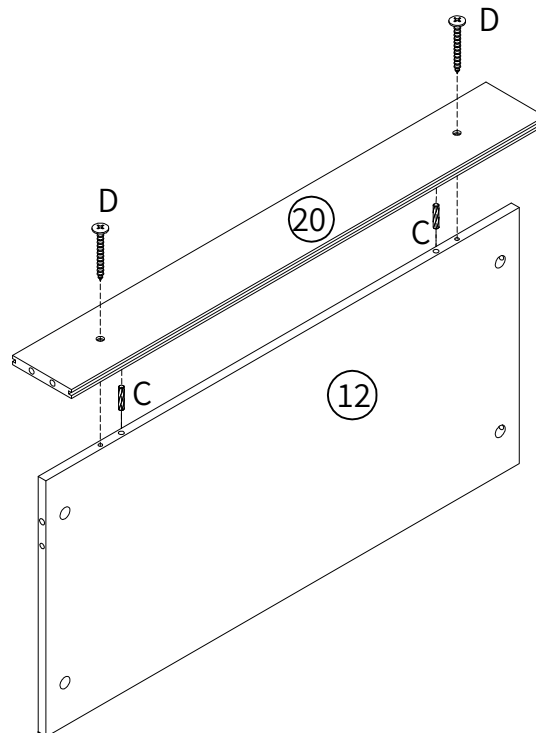
Step 7

Insert wooden dowel (C) on part ② ③, connect part ① to part ② ③ with eccentric wheels (B), put the eccentric wheels (B) into the corresponding holes on part ② ③ and use a screwdriver to turn it clockwise to tighten, the installation position is as shown.



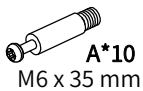
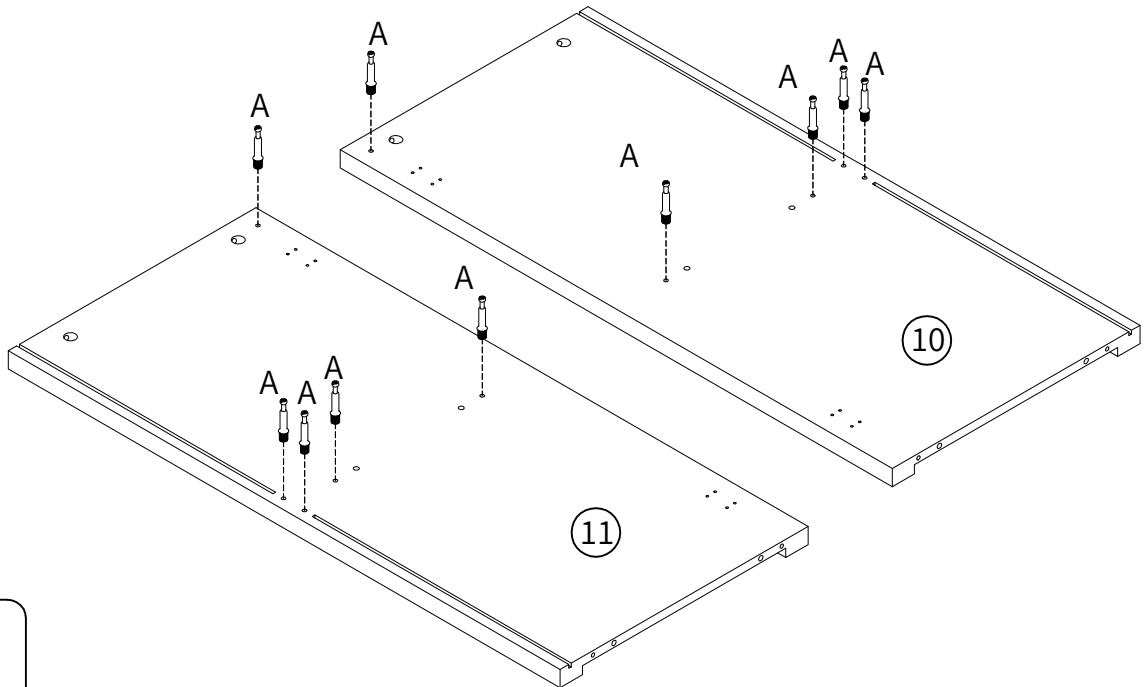
Step 8

Insert wooden dowel (C) on part ⑫, connect part ⑳ to part ⑫ with screw (D).



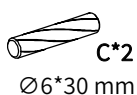
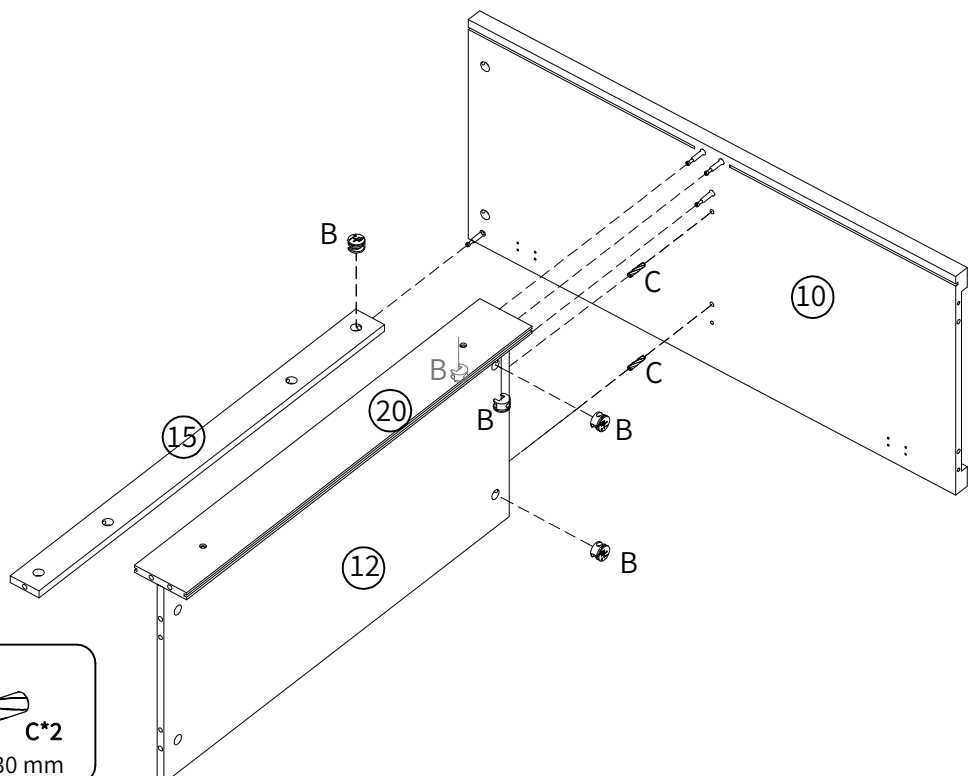
Step 9

Insert screws(A) into corresponding holes in part ⑩ and ⑪ as soon.



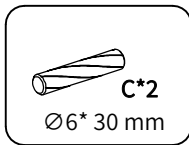
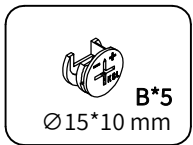
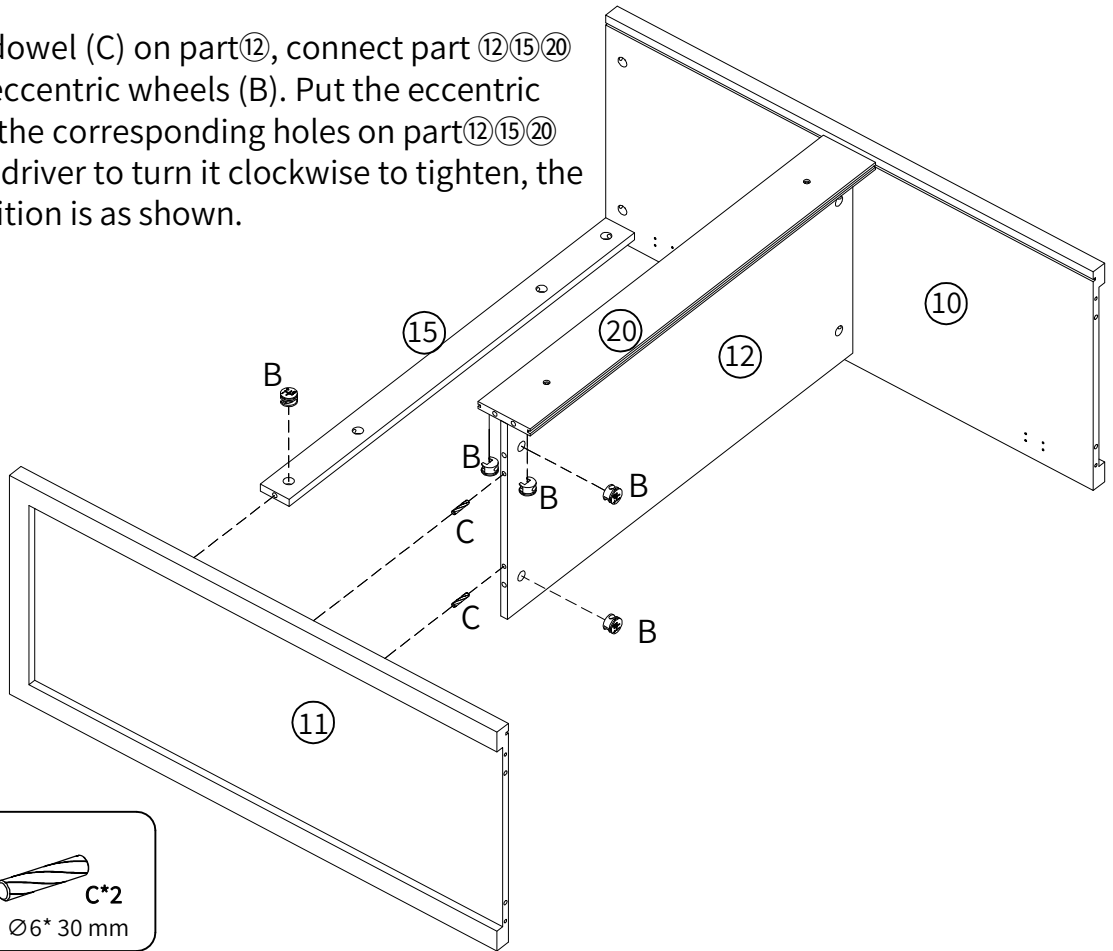
Step 10

Insert wooden dowel(C) on part ⑫, connect part ⑫⑮⑳ to part ⑩ with eccentric wheels (B). Put the eccentric wheels (B) into the corresponding holes on part ⑫⑮⑳ and use a screwdriver to turn it clockwise to tighten, the installation position is as shown.



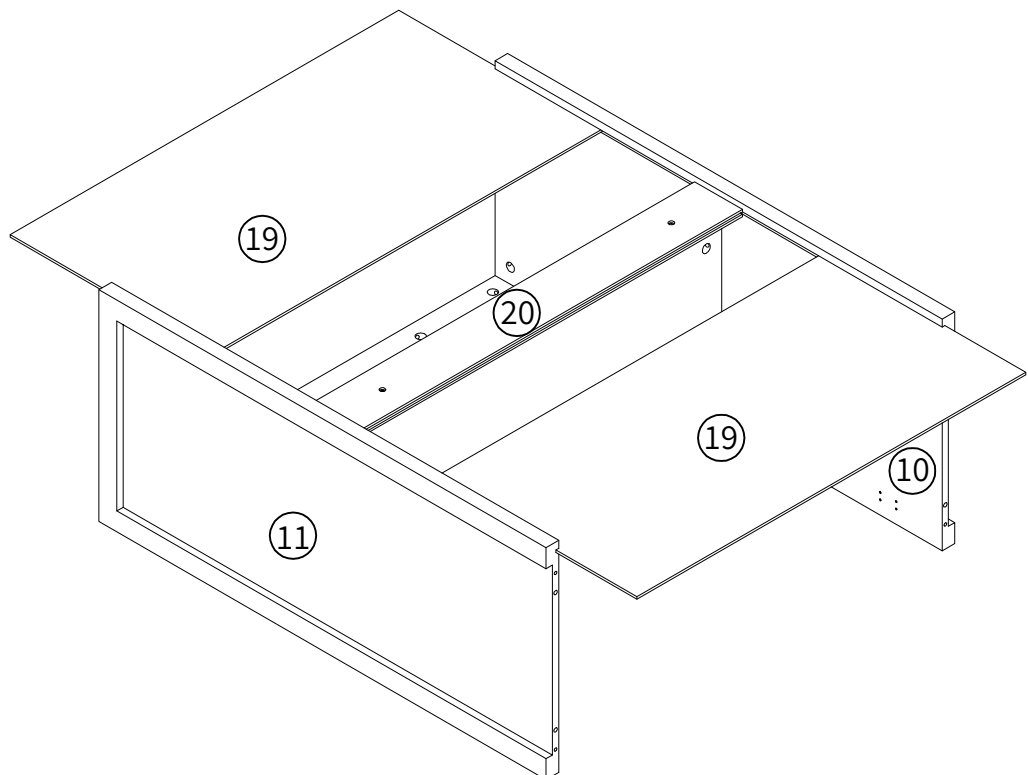
Step 11

Insert wooden dowel (C) on part ⑫, connect part ⑫⑮⑳ to part ⑪ with eccentric wheels (B). Put the eccentric wheels (B) into the corresponding holes on part ⑫⑮⑳ and use a screwdriver to turn it clockwise to tighten, the installation position is as shown.



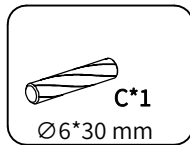
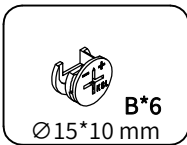
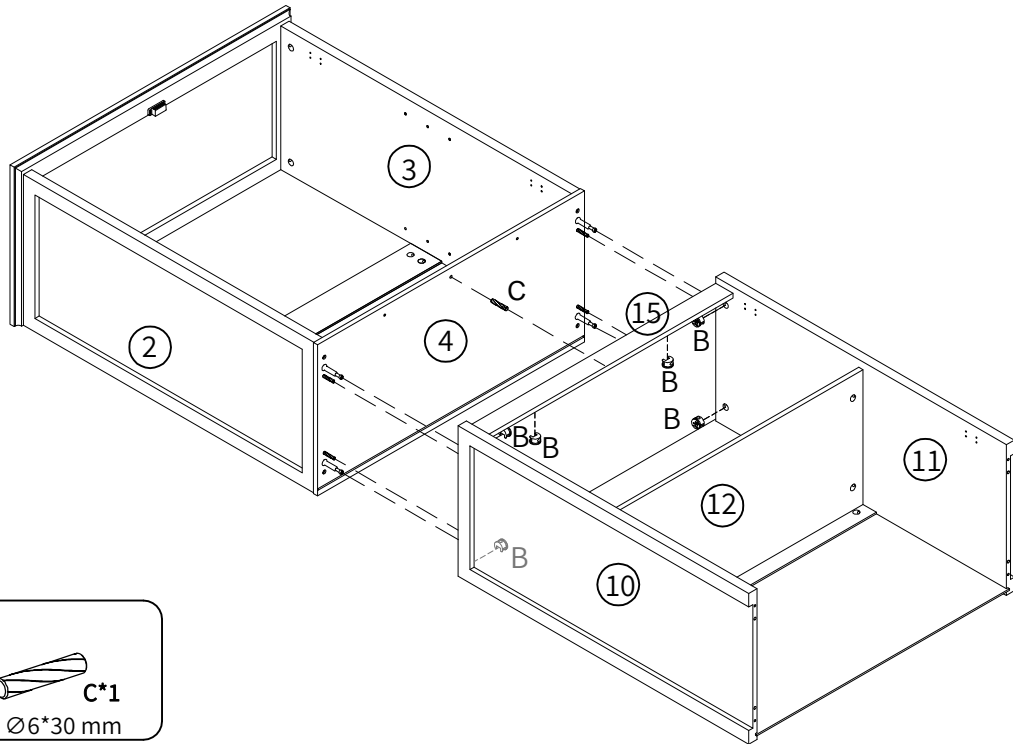
Step 12

Insert part ⑲ into the corresponding groove of parts ⑩ and ⑪.



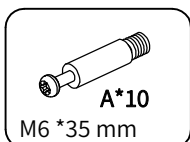
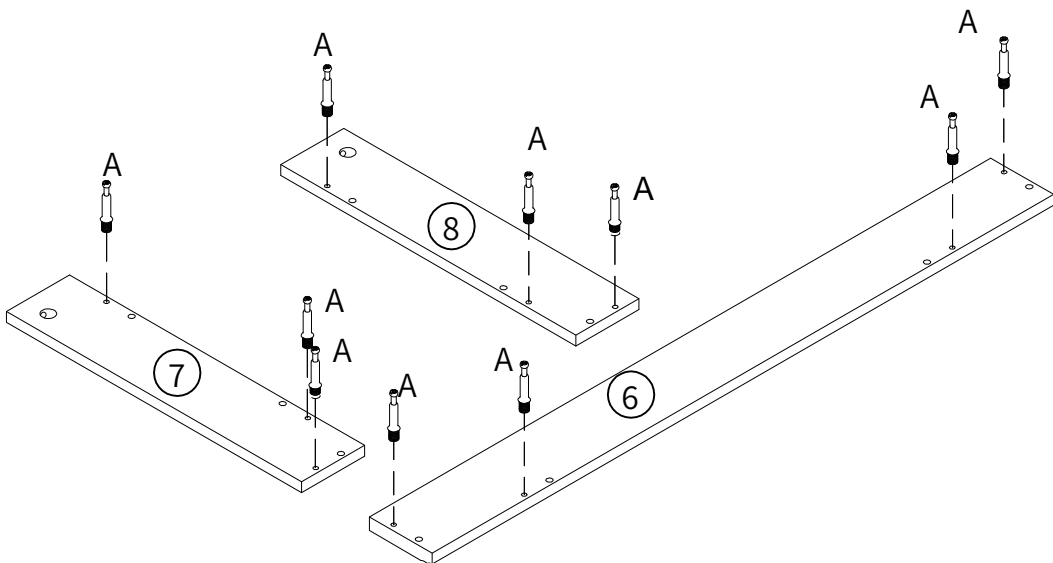
Step 13

Insert wooden dowel (C) on part ④, connect part ⑩⑪⑮ to part ④ with eccentric wheels (B). Put the eccentric wheels (B) into the corresponding holes on part ⑩ ⑪ ⑮ and use a screwdriver to turn it clockwise to tighten, the installation position is as shown.



Step 14

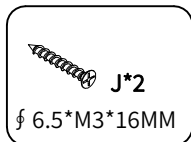
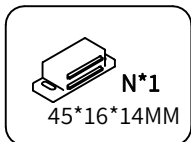
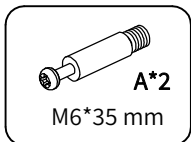
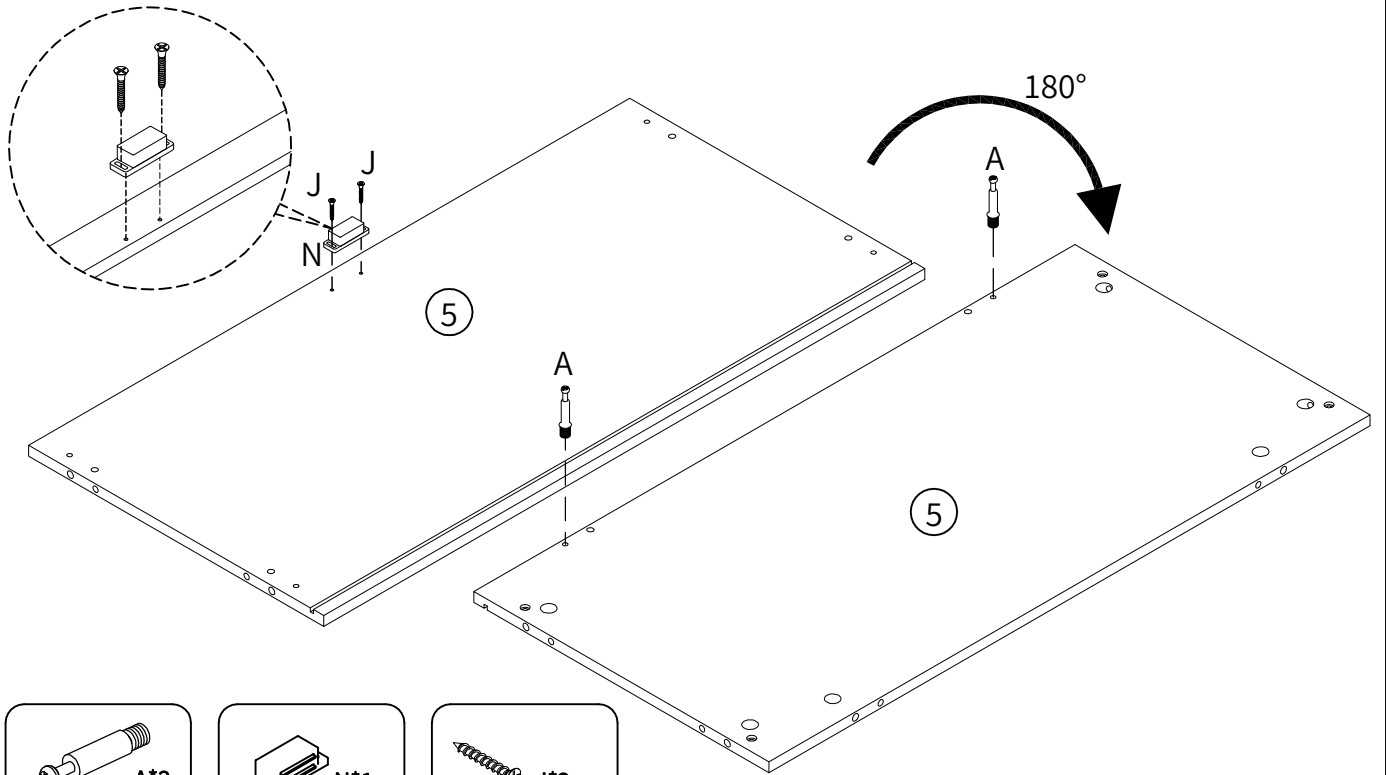
Insert screws (A) into corresponding holes in part ⑥, ⑦ and ⑧ as shown.



Step 15

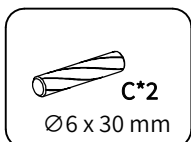
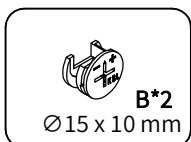
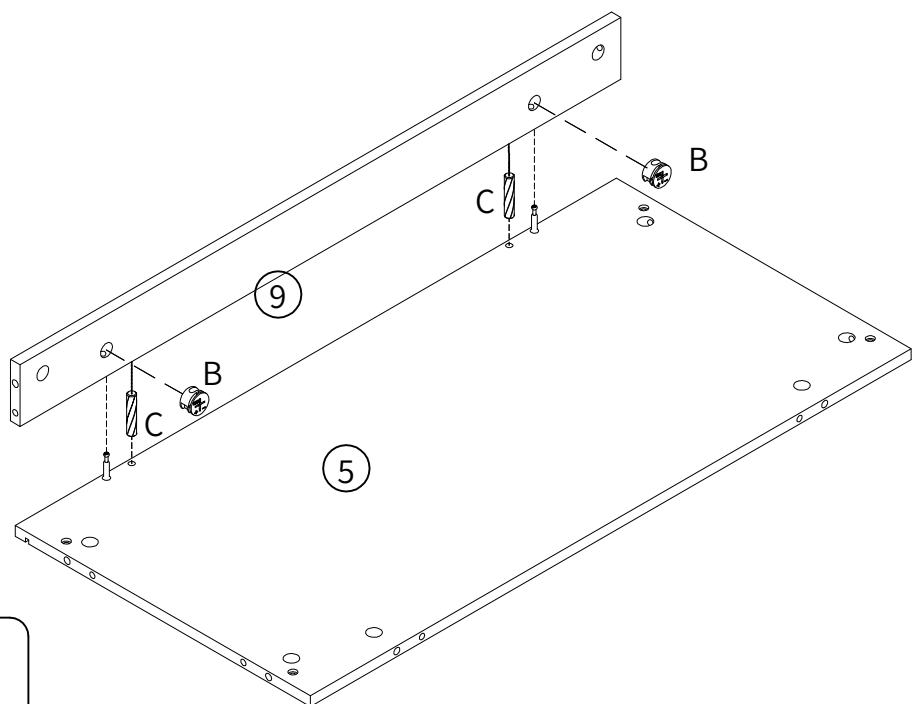
Use self tapping screws (J) to fix magnetic touch (N) on part ⑤.

Flip part ⑤ 180°, and insert screws (A) into the corresponding hole on part ⑤.



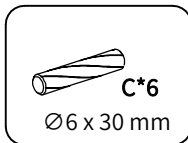
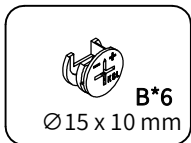
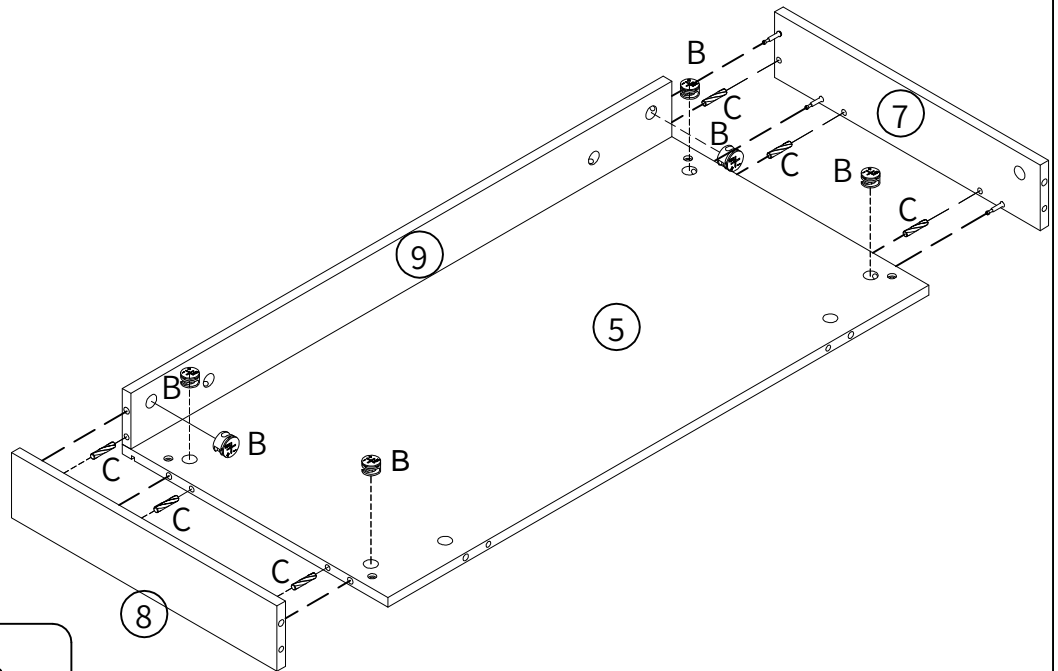
Step 16

Insert wooden dowel (C) on part ⑤, connect part ⑤ to part ⑨ with eccentric wheels (B). Put the eccentric wheels (B) into the corresponding holes on part ⑨ and use a screwdriver to turn it clockwise to tighten, the installation position is as shown.



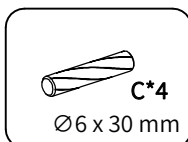
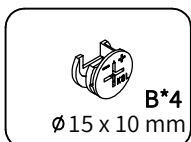
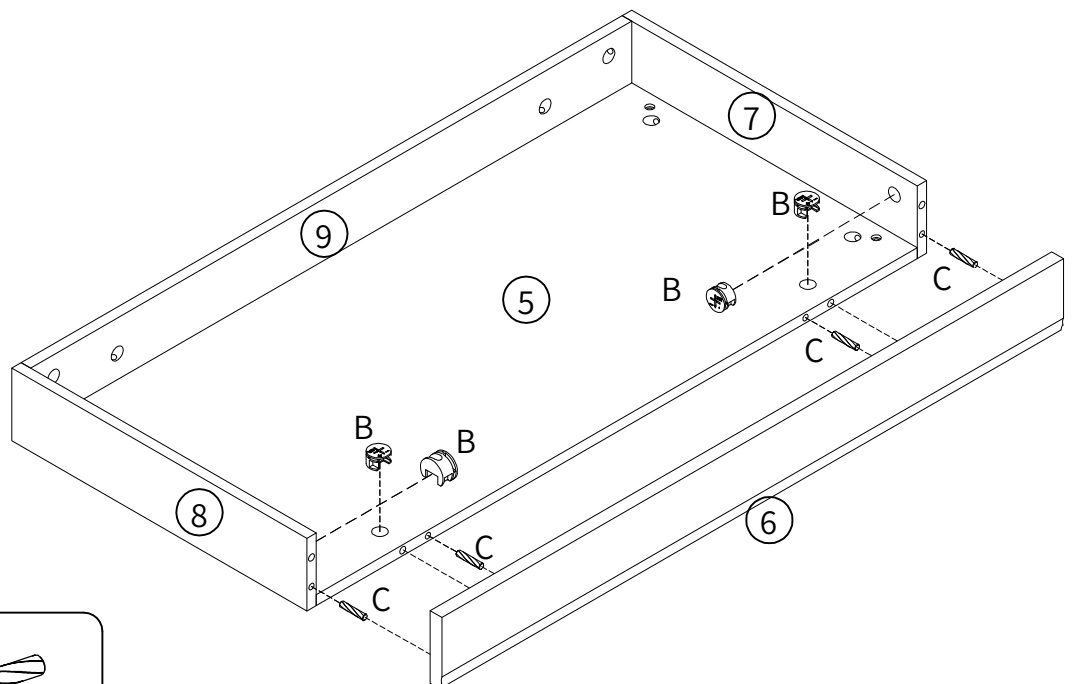
Step 17

Insert wooden dowel (C) on part ⑤ ⑨, connect part ⑦ ⑧ to part ⑤ ⑨ with eccentric wheels (B). Put the eccentric wheels (B) into the corresponding holes on part ⑤ ⑨ and use a screwdriver to turn it clockwise to tighten, the installation position is as shown.



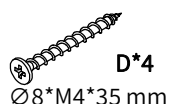
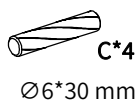
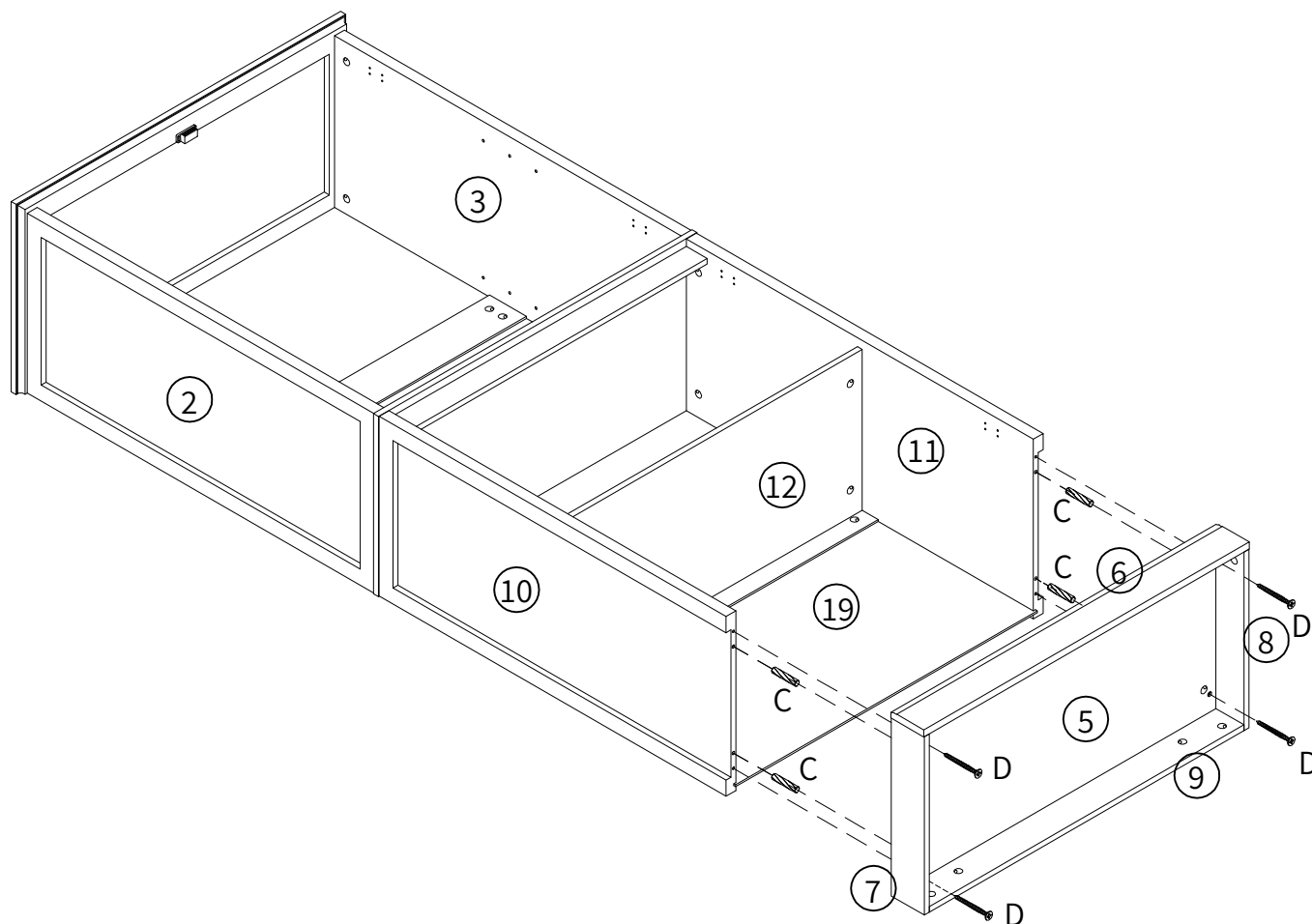
Step 18

Insert wooden dowel (C) on part ⑤ ⑦ ⑧, connect part ⑥ to part ⑤ ⑦ ⑧ with eccentric wheels (B). Put the eccentric wheels (B) into the corresponding holes on part ⑤ ⑦ ⑧ and use a screwdriver to turn it clockwise to tighten, the installation position is as shown.



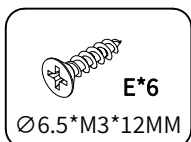
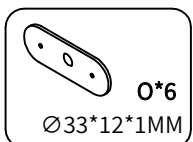
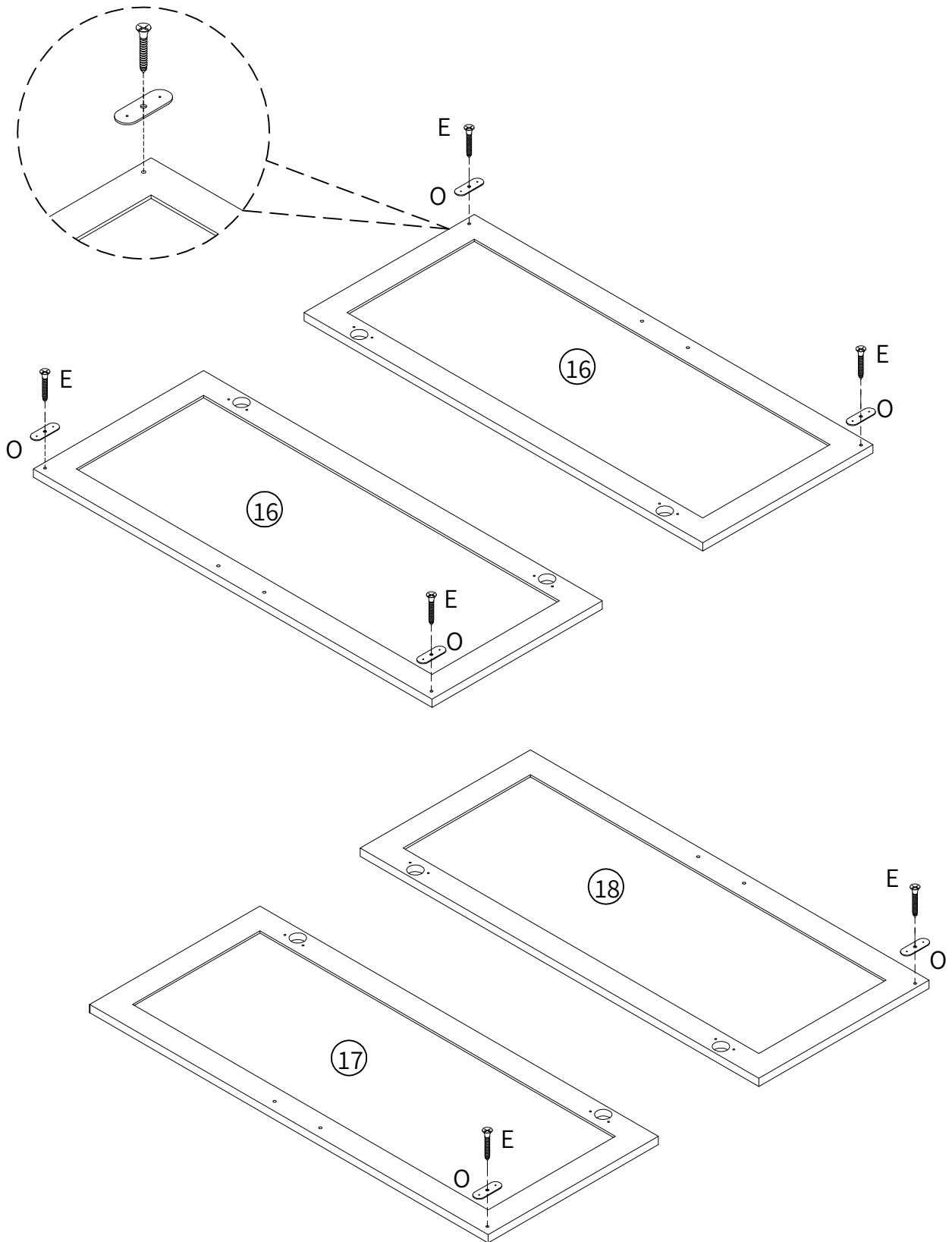
Step 19

Insert wooden dowel (C) on part⑩⑪, connect the set part ⑤⑥⑦⑧⑨ to part⑩⑪ with screw(D).



Step 20

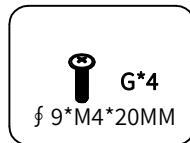
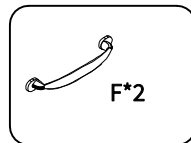
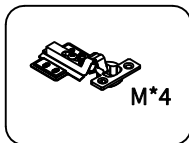
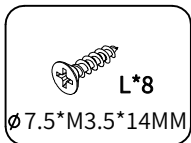
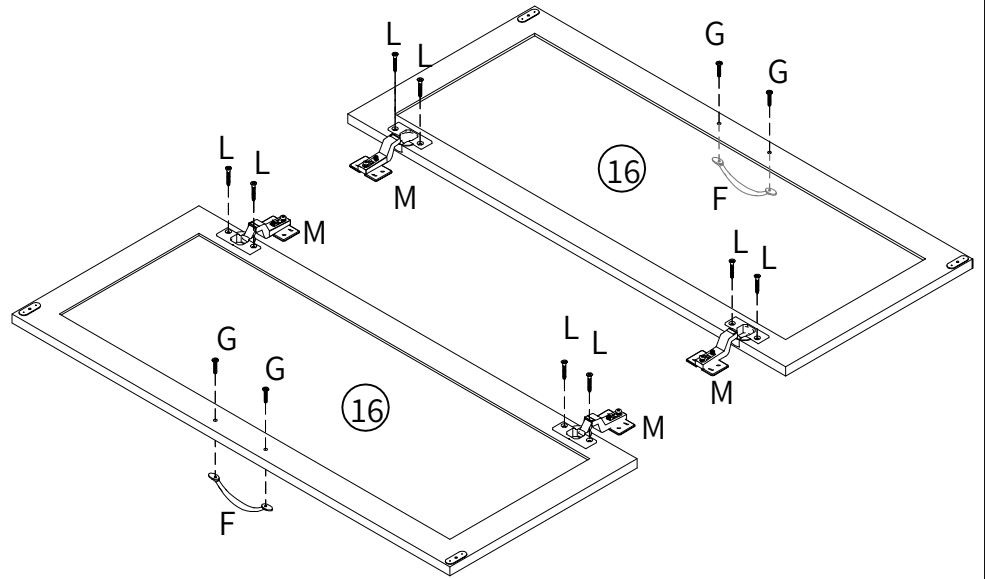
Fix the patches (O) onto parts ①⑥, ①⑦, and ①⑧ with screws (E).



Step 21

Fix the door handles (F) onto part ⑩ with screws (G).

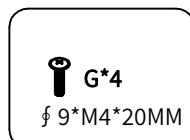
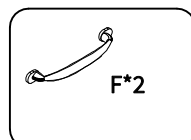
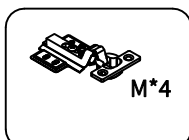
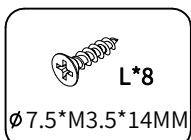
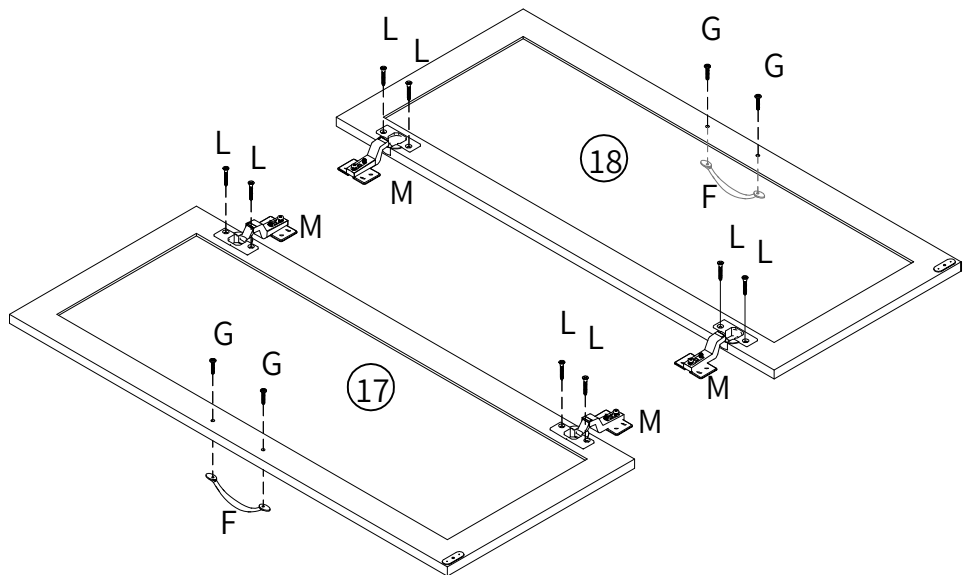
Fix hinges (M) onto part ⑩ with screws (L).



Step 22

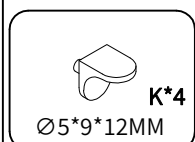
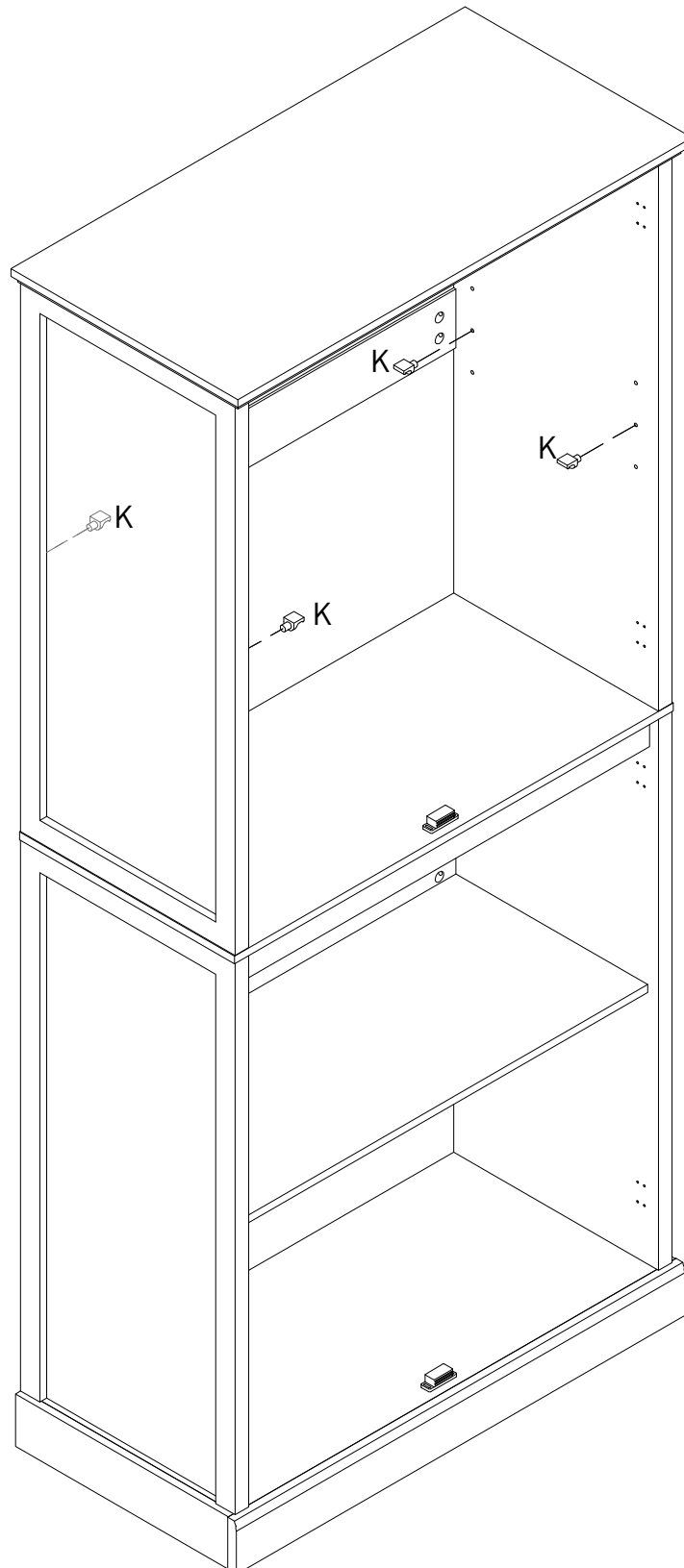
Fix the door handle (F) onto part ⑪ and ⑫ with screws (G)

Fix hinges (M) onto part ⑪ and ⑫ with screws (L)



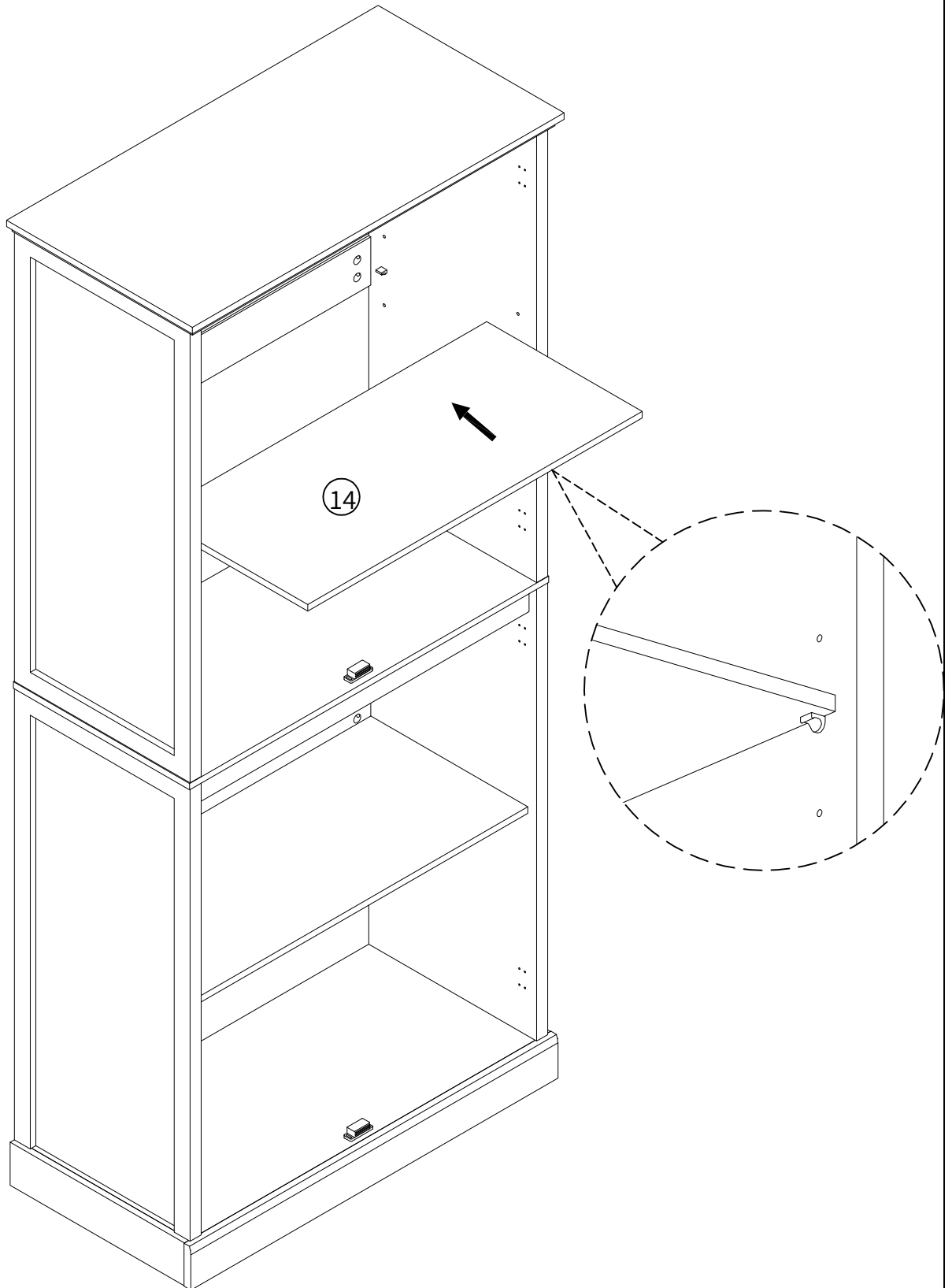
Step 23

Insert the layer board brackets(K) into the corresponding hole on the side Board.



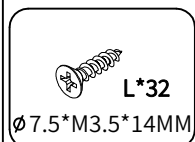
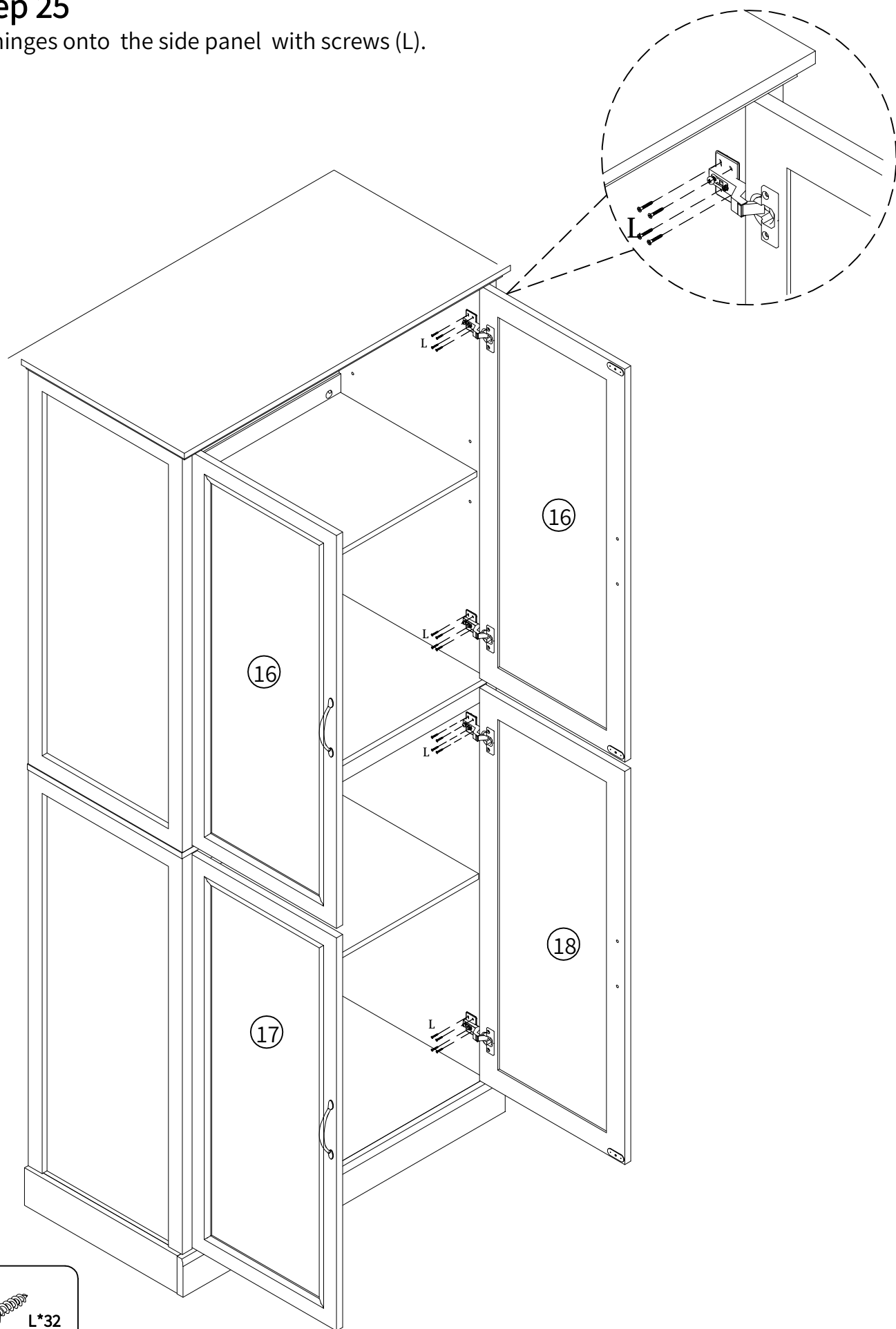
Step 24

Put on the moving board ⑭ on the layer board brackets.



Step 25

Fix hinges onto the side panel with screws (L).

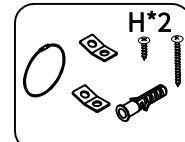
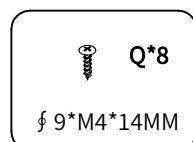
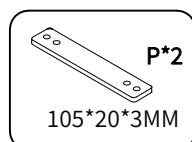
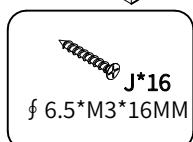
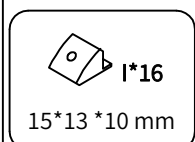
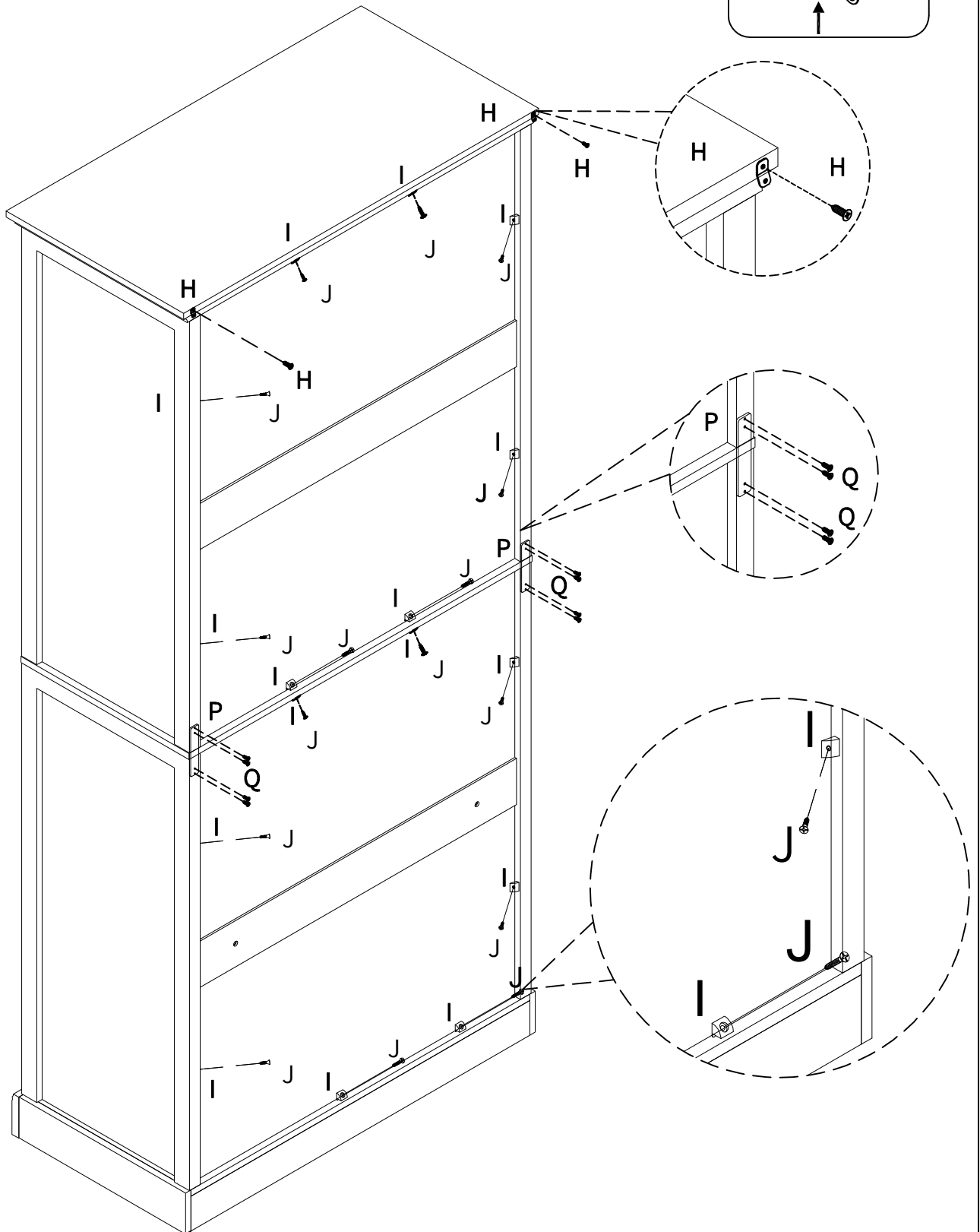
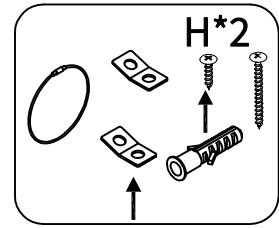


Step 26

Fix the patches (H) on the top back with screws(H).

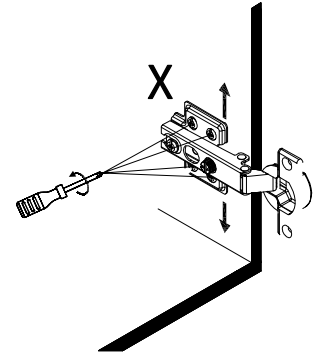
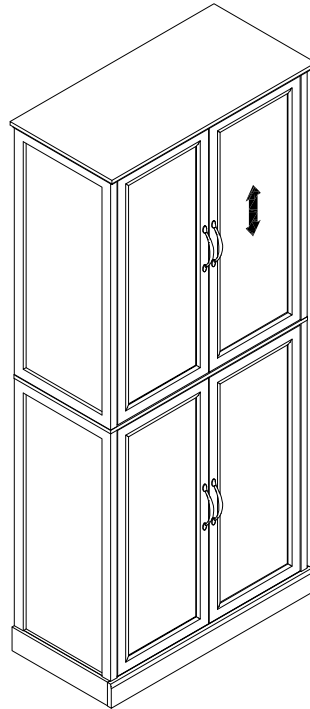
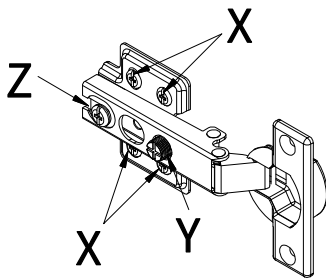
Fix the backboard buckles (I) onto the backboard with screws(J).

Fix the patches (P) on the backplate with screws(Q).

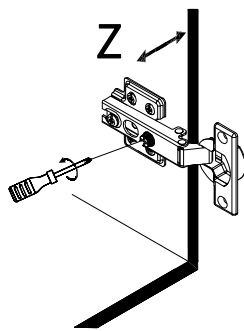
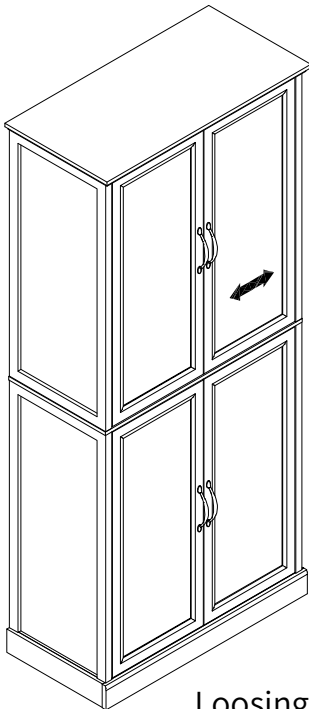


Step 27

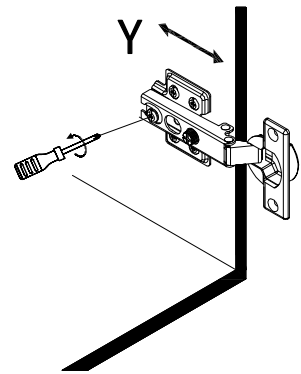
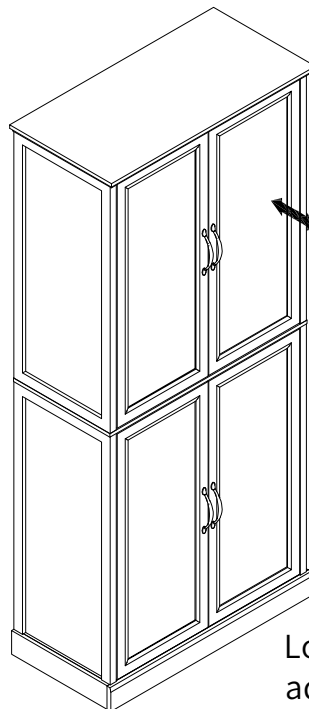
Hinges Adjustment Tips



Loosening screw X can adjust the door panel vertically.



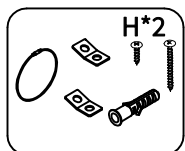
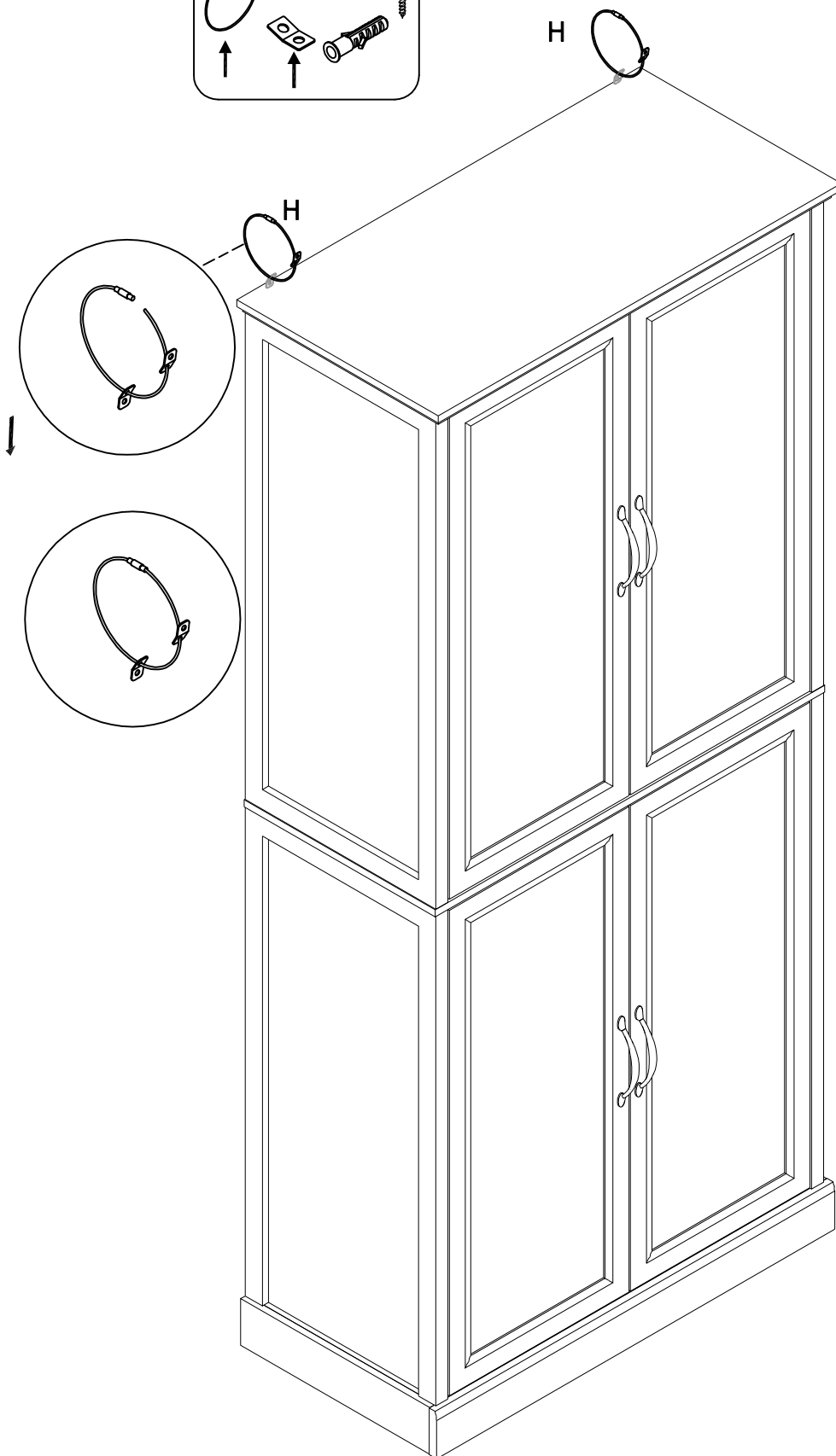
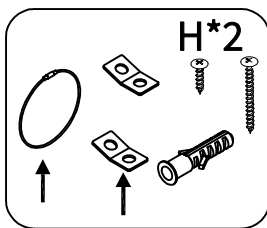
Loosening screw Y can adjust the door panel vertically.



Loosening screw Y can adjust the door panel vertically.

Step 28

Fix with anti fall hardware (H).



Step 29

Fix the anti collapse hardware(H) on the wall with screws(H).

