

TWIN ASSEMBLY INSTRUCTIONS

Before assembling your bed frame, please read through these instructions carefully and familiarize yourself with the different parts.



PARTS LIST

- 1 FOOT RAIL 1 PC**
- 2 LEFT LEG 1 PC**
- 3 RIGHT LEG 1 PC**
- 4 SIDE RAIL 2 PCS**
- 5 SLAT KIT 2 SETS**

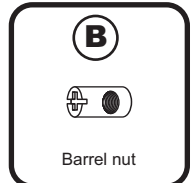
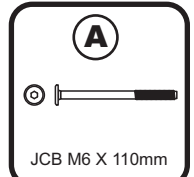
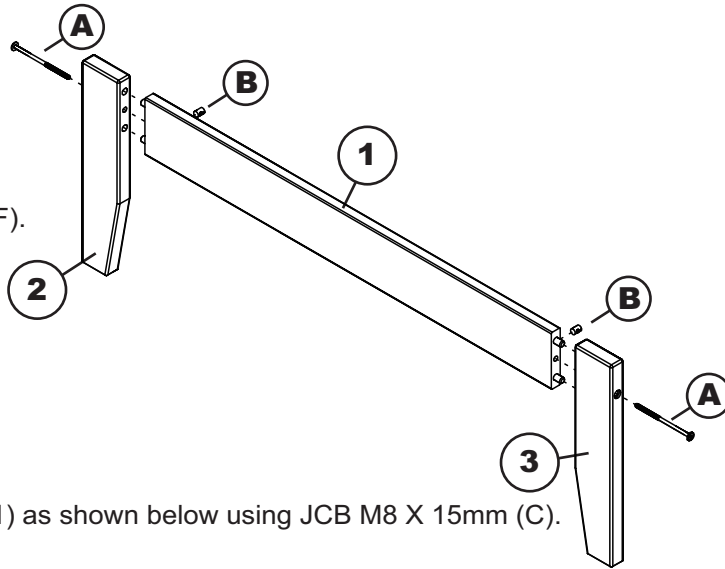
HARDWARE

- A** JCB M6 X 110mm (4 3/8") - 2 pcs
Spare - 1 pc
- D** Wood screw (1 1/4") - 24 pcs
Spare - 2 pcs
- B** Barrel nut - 2 pcs
- E** Allen wrench M6 - 1pc
- F** Allen wrench M4 - 1pc
Spare - 1pc
- C** JCB M8 X 15mm (5/8") - 4 pcs

NOTE: WE INCLUDE SPARE HARDWARE IN CASE DAMAGE OCCURS DURING ASSEMBLY.

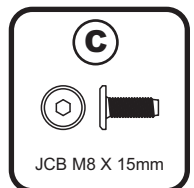
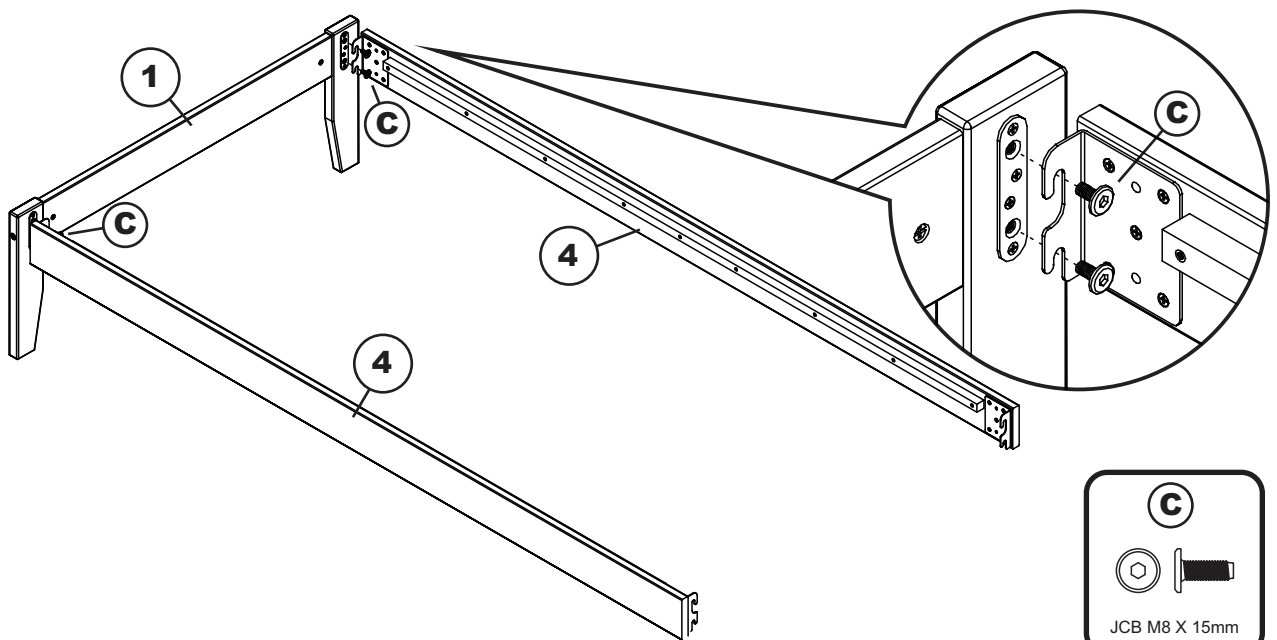
Step 1

Attach the legs (2) and (3) to foot rail (1), using JCB M6 X 110mm (A) and barrel nut (B). Tighten with the Allen wrench M4 (F).



Step 2

Attach side rails (4) to the foot rail (1) as shown below using JCB M8 X 15mm (C). Tighten with Allen wrench M6 (E).

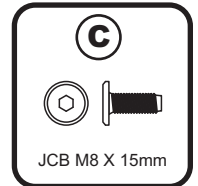
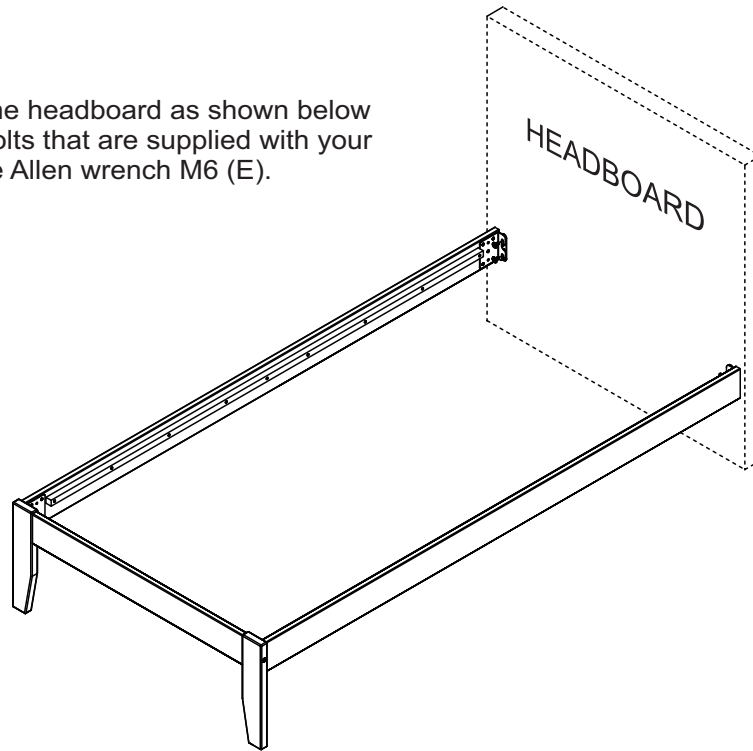


TWIN



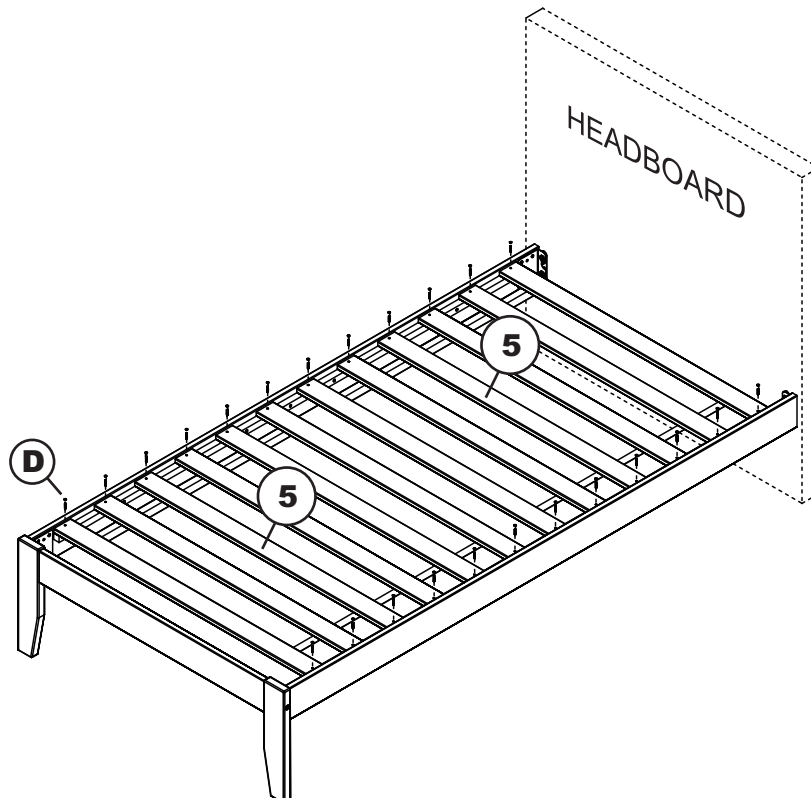
Step 3

Attach open bed frame to the headboard as shown below using 4 JCB M8 X 15mm bolts that are supplied with your headboard. Tighten with the Allen wrench M6 (E).



Step 4

Attach 2 slat kit (5) to the open bed as shown below using wood screws 1 1/4" (D). Tighten with Phillips head screw driver. (customer supplied)



Congratulations!

Your bed is now ready for use.

We recommend that you periodically recheck that all screws are tight to ensure lasting safety.