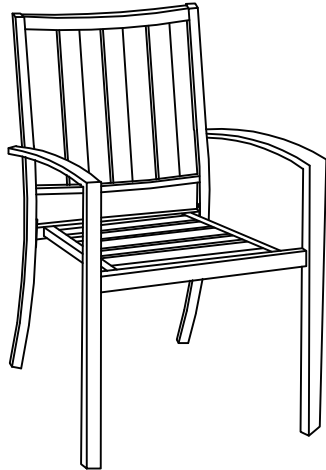


OUTDOOR PATIO STEEL DINING CHAIR ASSEMBLY MANUAL











ASSEMBLY INSTRUCTIONS

- Prior to assembly, make sure you lay out and identify all the parts listed below in the parts list.
- Tighten all nuts and bolts securely. All bolts should be hand tightened before use. Never use power tools or excessive force during assembly and tightening of bolts.

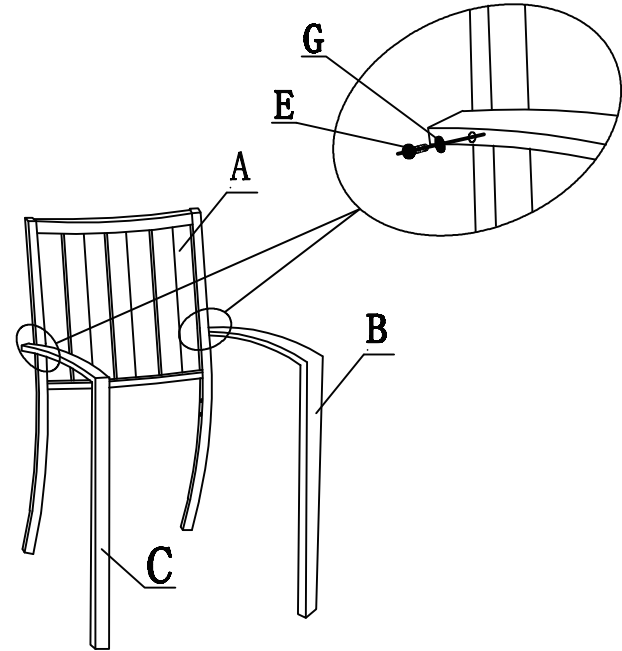
Warning:

1. Max loading capacity of the chair:300 Lbs.

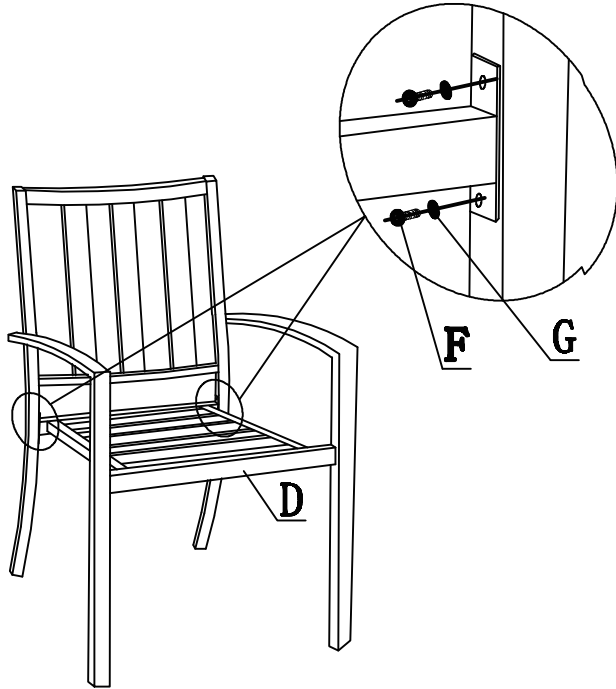
Part list

| Part | Description | Qty |
|------|---|-----|
| A |  Back | 2 |
| B |  Leg | 2 |
| C |  Leg | 2 |
| D |  Seat | 2 |
| E |  M6*60 Bolt | 4 |
| F |  M6*15 Bolt | 16 |
| G |  Washer | 20 |
| H |  Allen key | 1 |

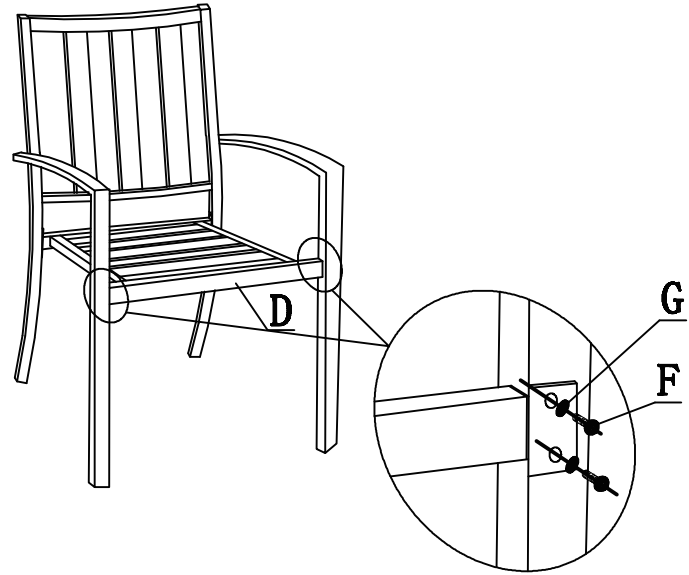
1. Connect the Back (Part A) with Legs (Part B&Part C) using Bolt (E) Washer (G) as shown in diagram.



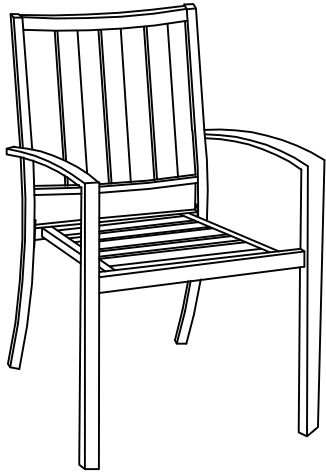
- 2.** Connect Seat (Part D) with Legs (Part C & Part D) using Bolt(F) and Washer(H) as shown in diagram.



- 3.** Connect Seat (Part D) with Legs (Part C & Part D) using Bolt(F) and Washer(H) as shown in diagram.



- 4.** At last, Make sure all screws are fixed tightly before using on the level ground.



- 5.** Do it twice for 2 chairs.