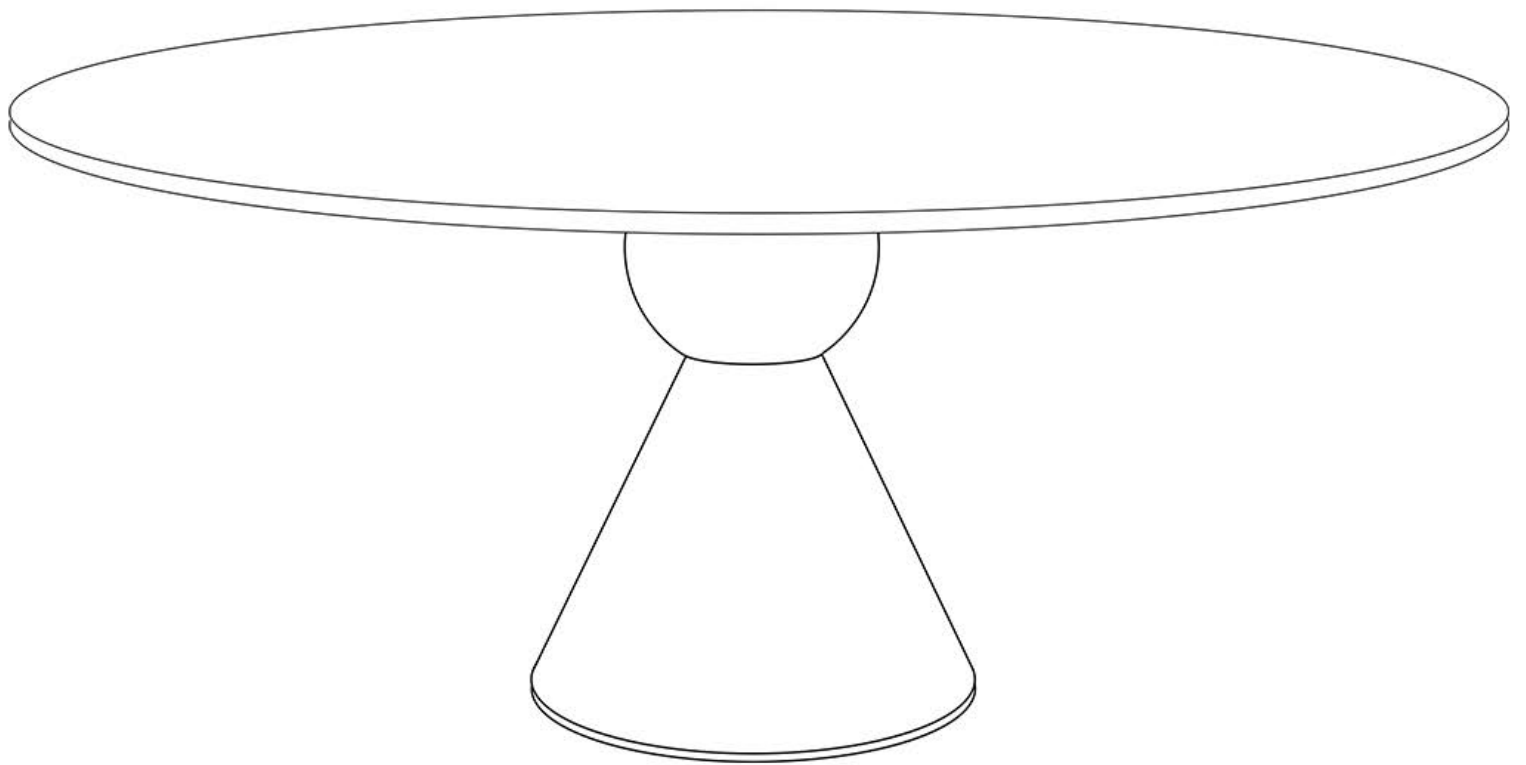


# Dining Table Installation Instruction



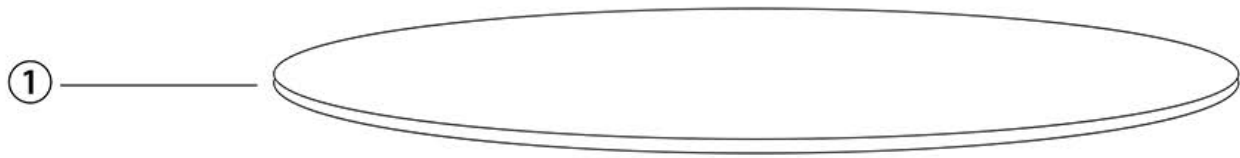
## **Important Preparation Notes**

- 1. Carefully read through this entire instruction manual before starting assembly.**
- 2. This product is shipped in 3 separate packages. Please count the packages upon receipt.**
- 3. Check the outer boxes for damage. If no visible damage, open and verify all parts are included and undamaged (refer to the parts list).**

## **Safety Installation Precautions**

- 1. Two people are strongly recommended for assembly.**
- 2. When installing multiple screws: first insert all screws loosely, then tighten them gradually and evenly. Never fully tighten one screw at a time.**
- 3. Do not over-tighten screws to avoid damaging threads or wood.**

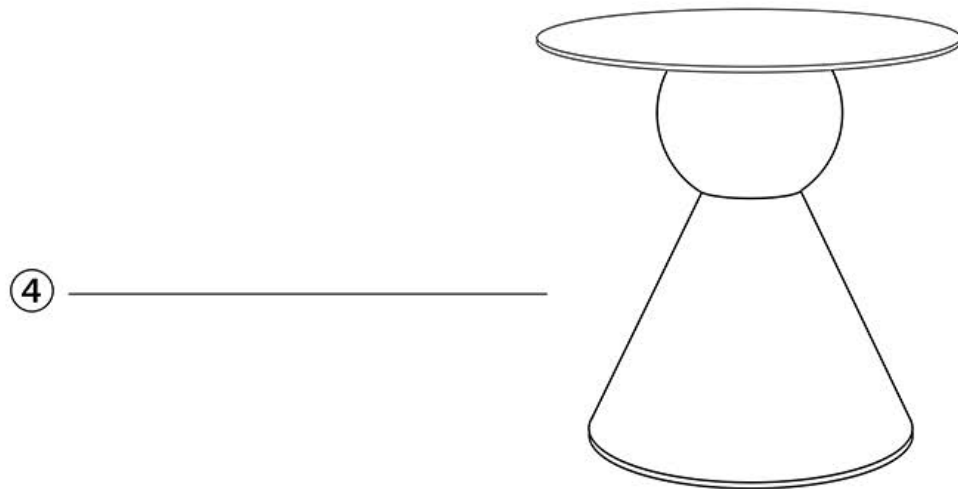
# Installation Components



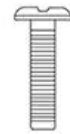
Tabletop



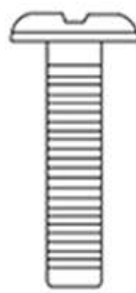
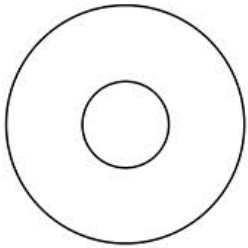


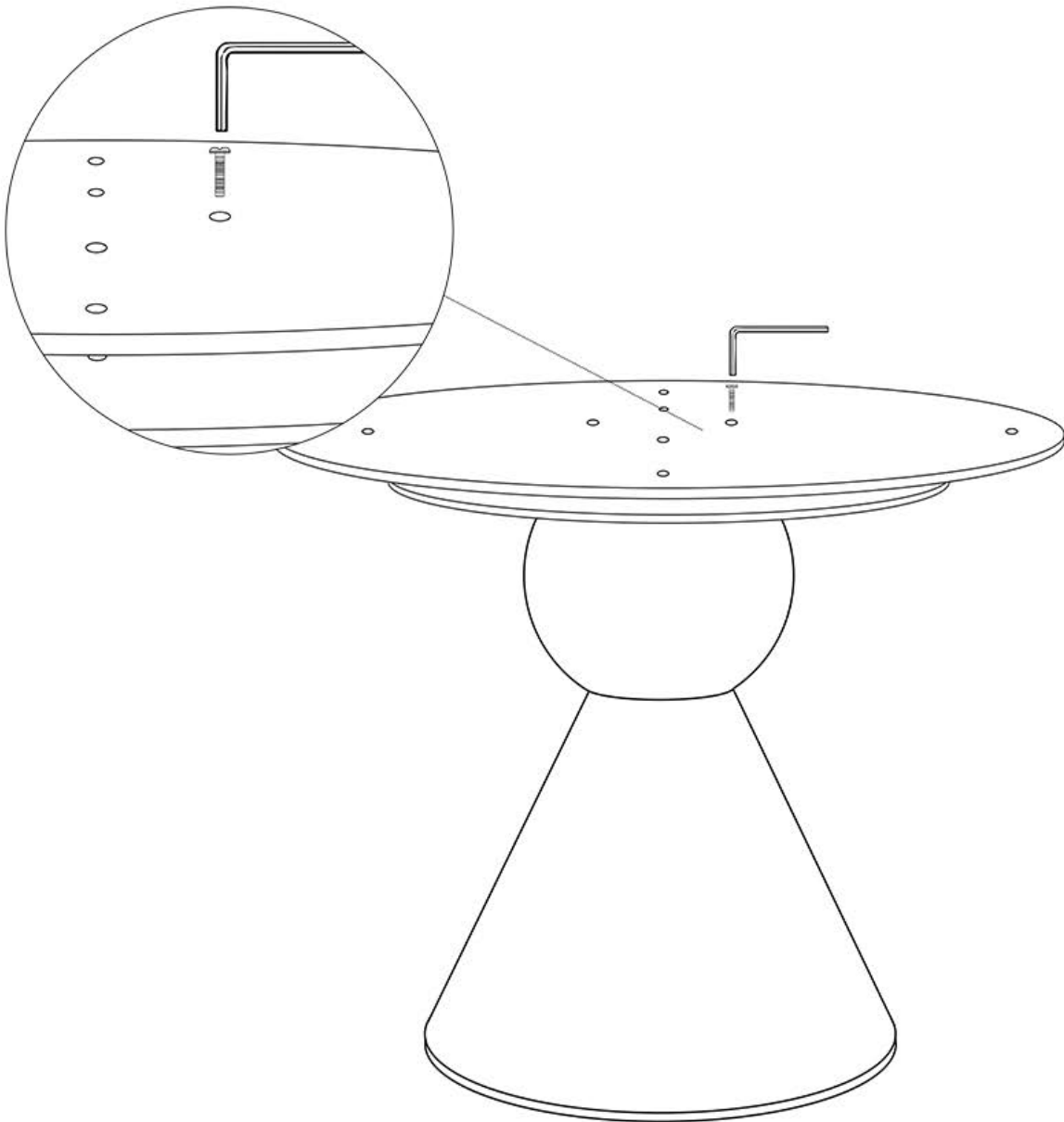
Cross bracket



base



 ③ screwdriver	 ⑤ screws	 ⑥ adjusting screws	 ⑦ screw washers
× 1	× 9	× 10	× 10

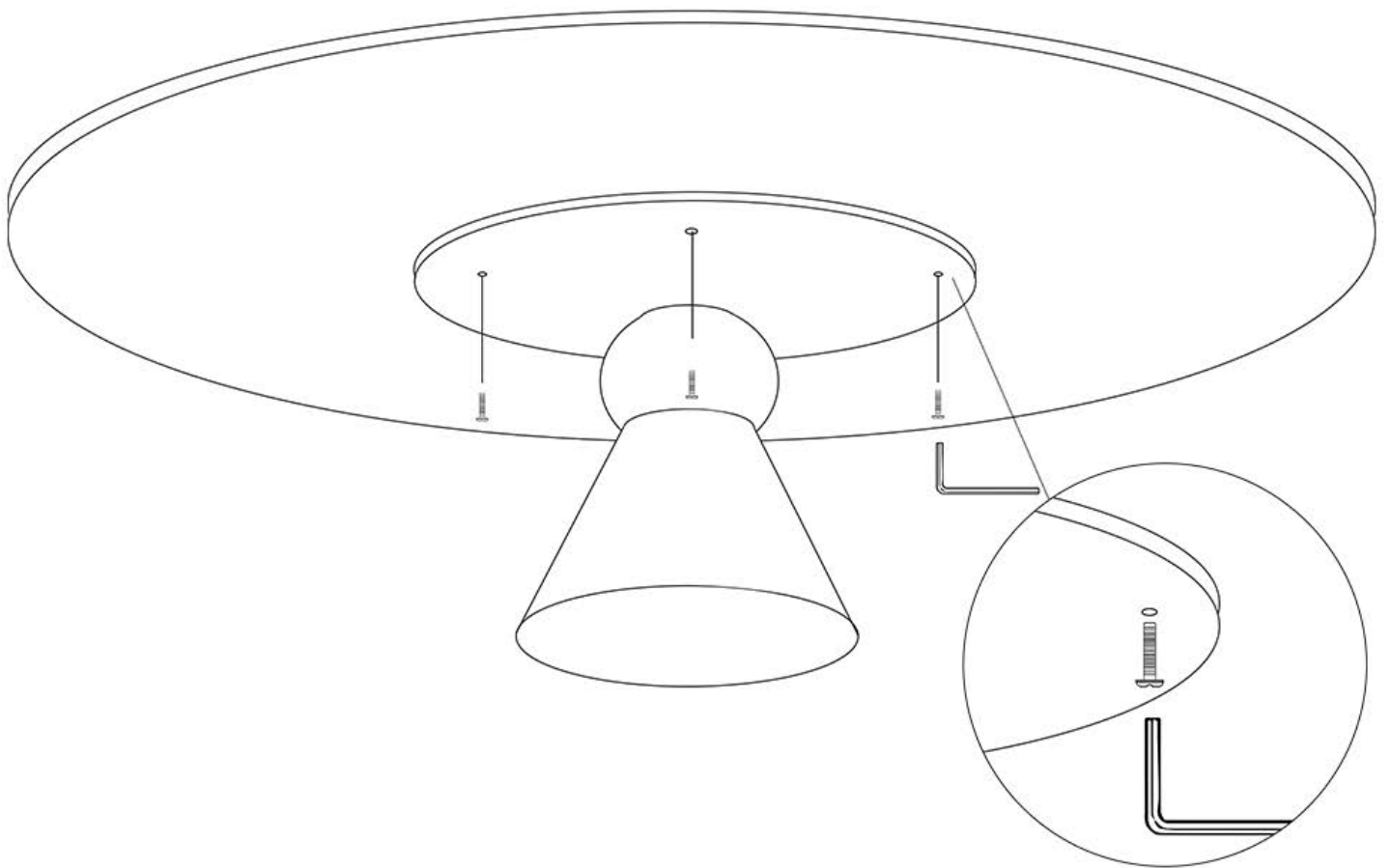
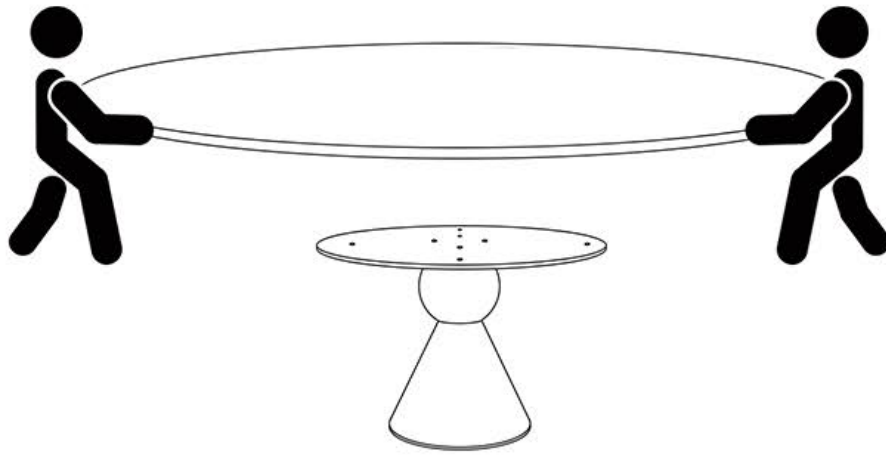


### **Step 1: Attach the Cross Bracket to the Base**

**Align the pre-drilled holes on the brackets with the holes on the base frame.**

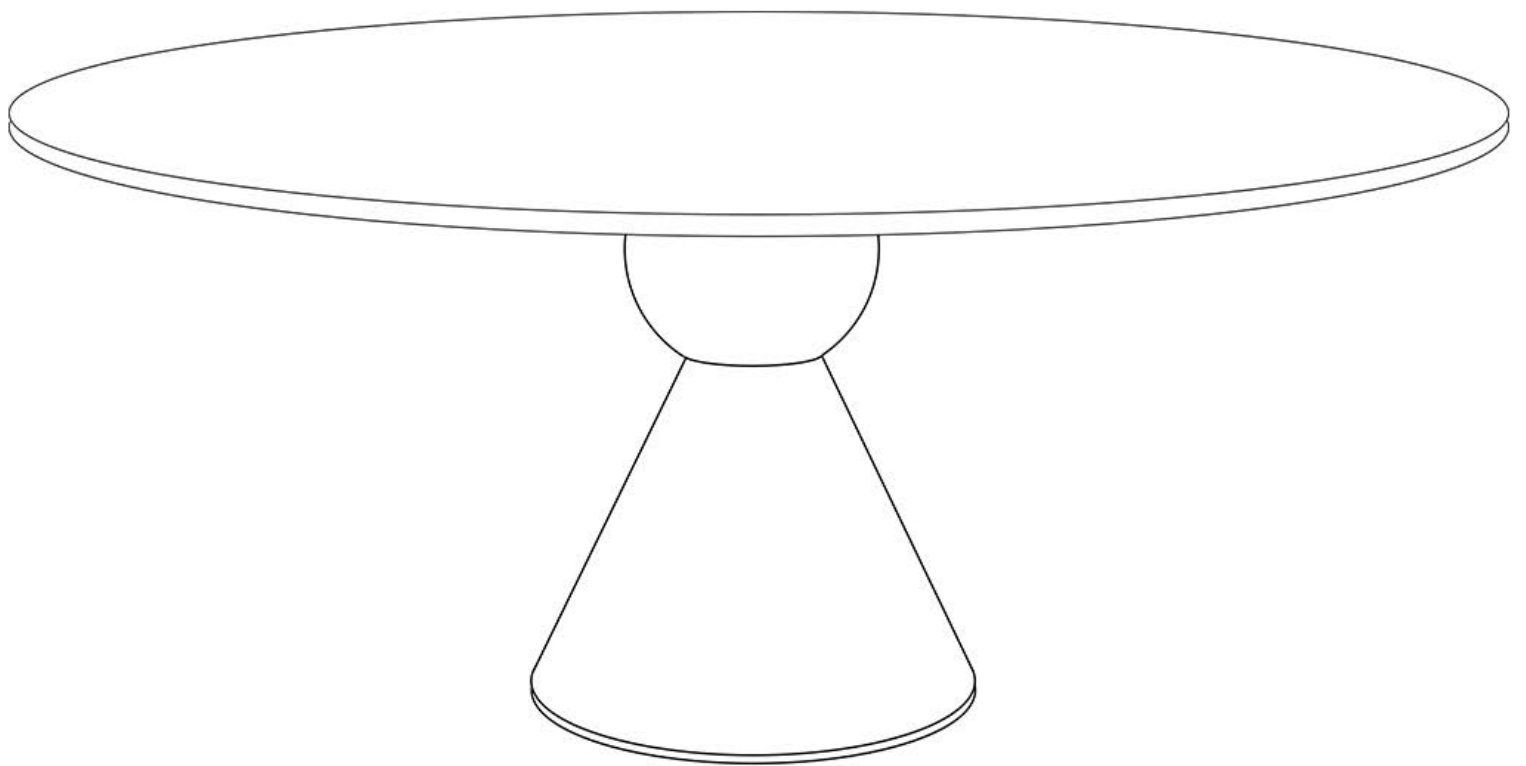
**Insert all screws loosely (do not tighten yet).**

**Once all screws are in place, tighten them evenly using the Allen key.**



## Step 2: Mount the Tabletop

**With two people, carefully lift the tabletop.  
Gently place the tabletop onto the assembled base.  
Slightly rotate the tabletop if needed to align the pre-drilled  
holes on the underside with the holes on the base.  
Insert all tabletop fixing screws loosely.  
When all holes are perfectly aligned, tighten all screws  
gradually and evenly.**



### **Step 3: Final Check**

**Double-check that every screw is properly tightened. Gently shake the table to ensure stability-no wobbling or unusual noise.**

**Assembly complete!**