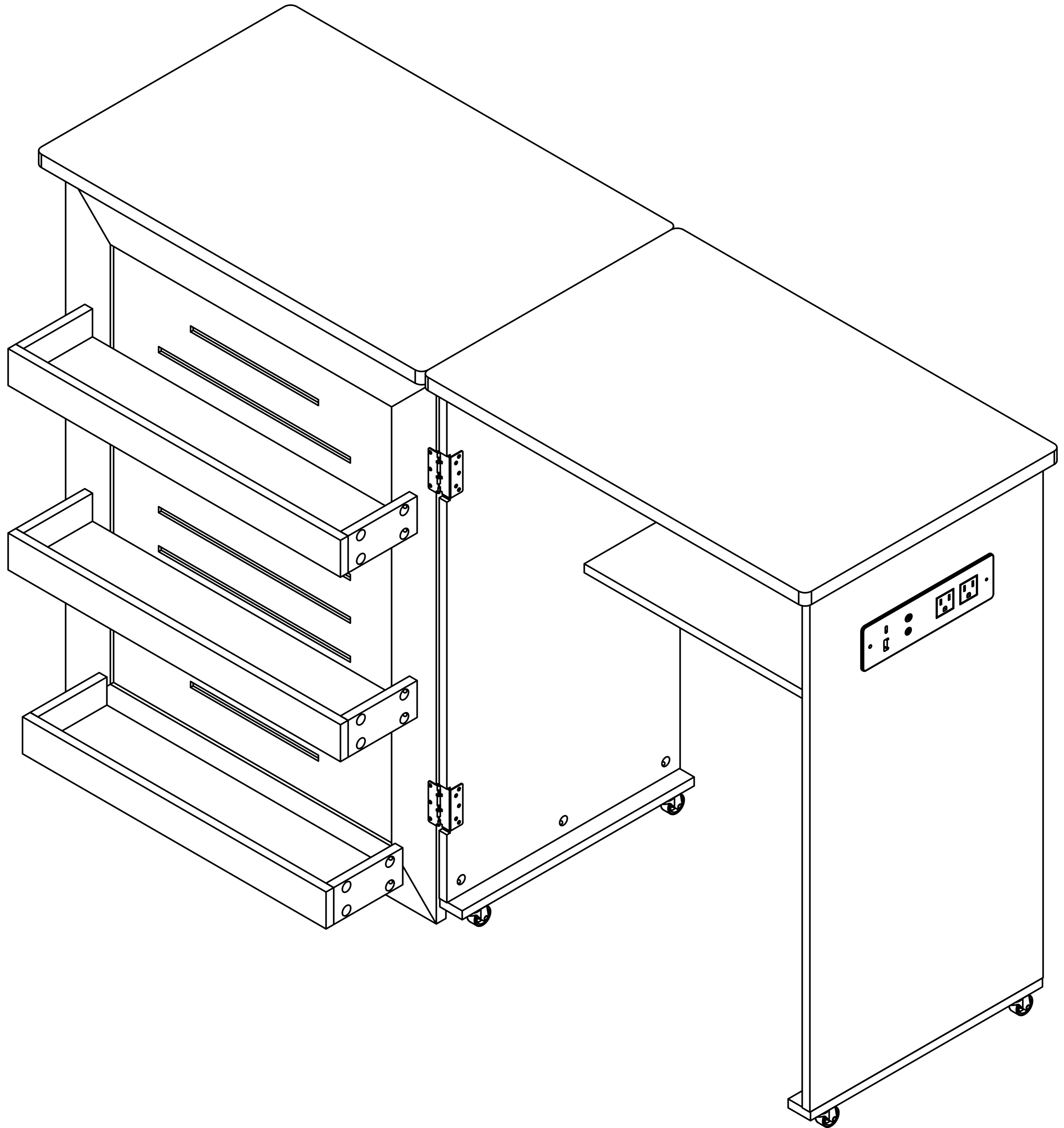
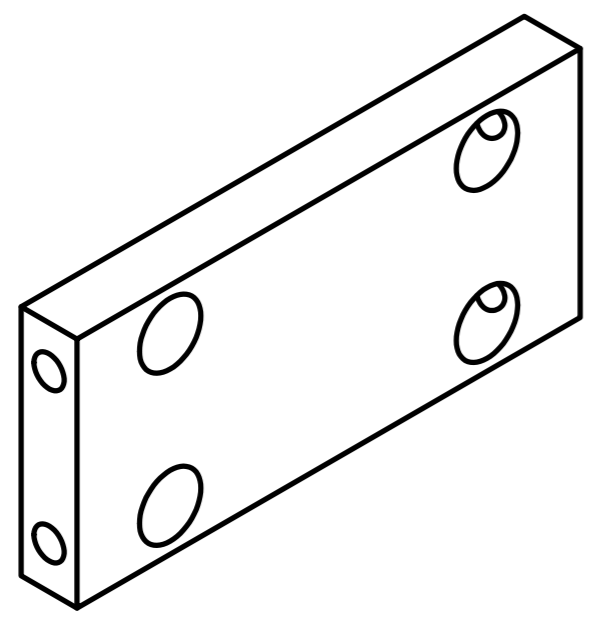
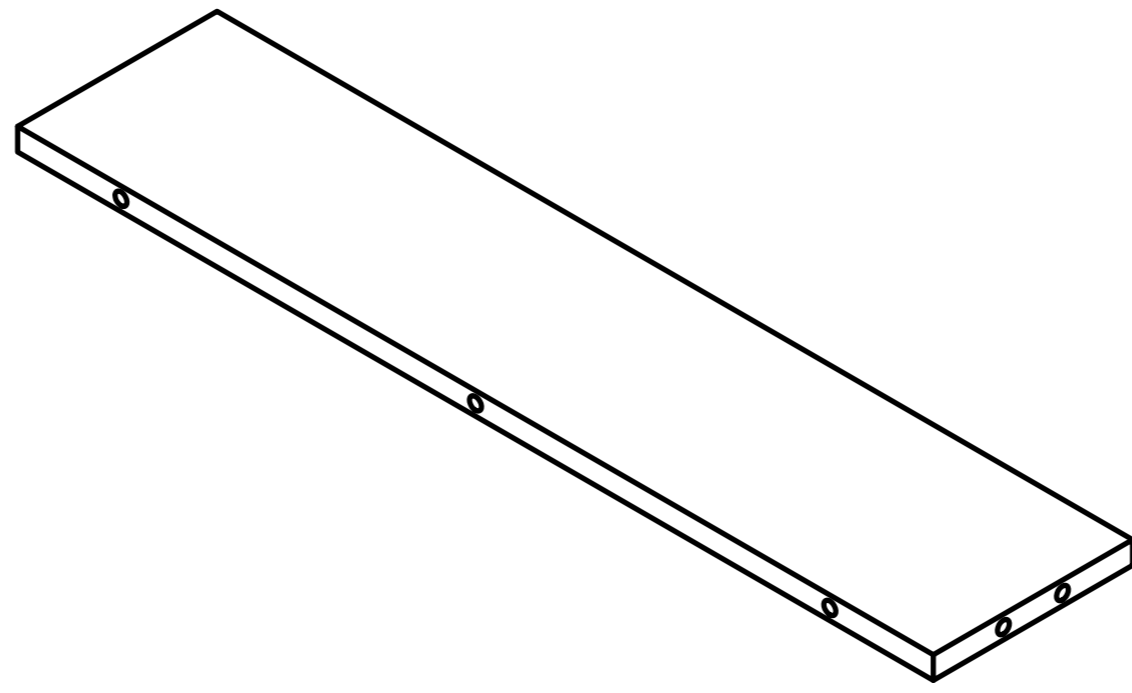


97147 Product Installation Instructions

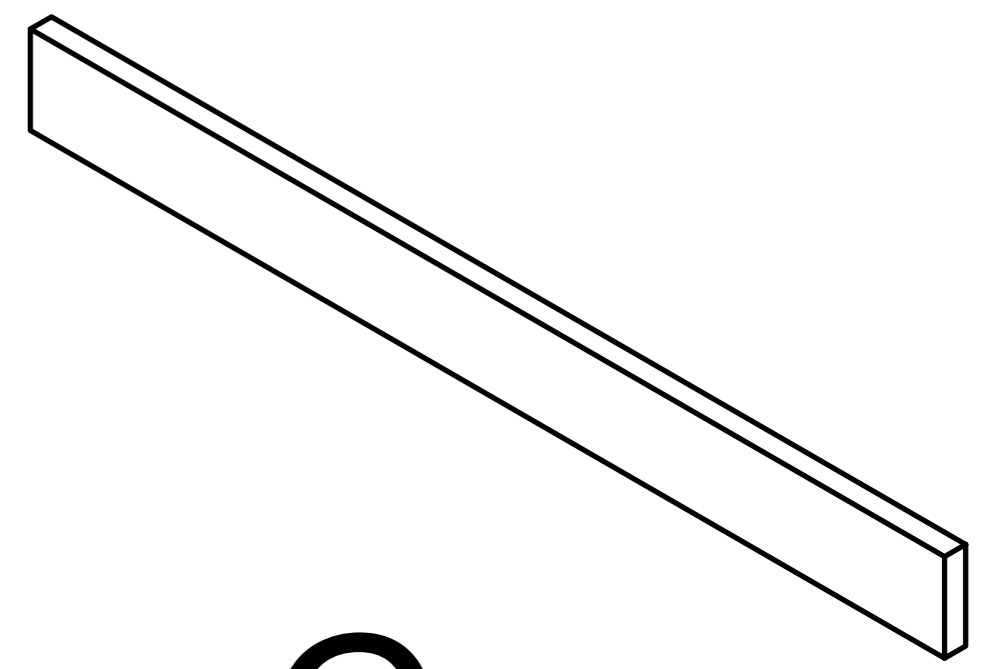




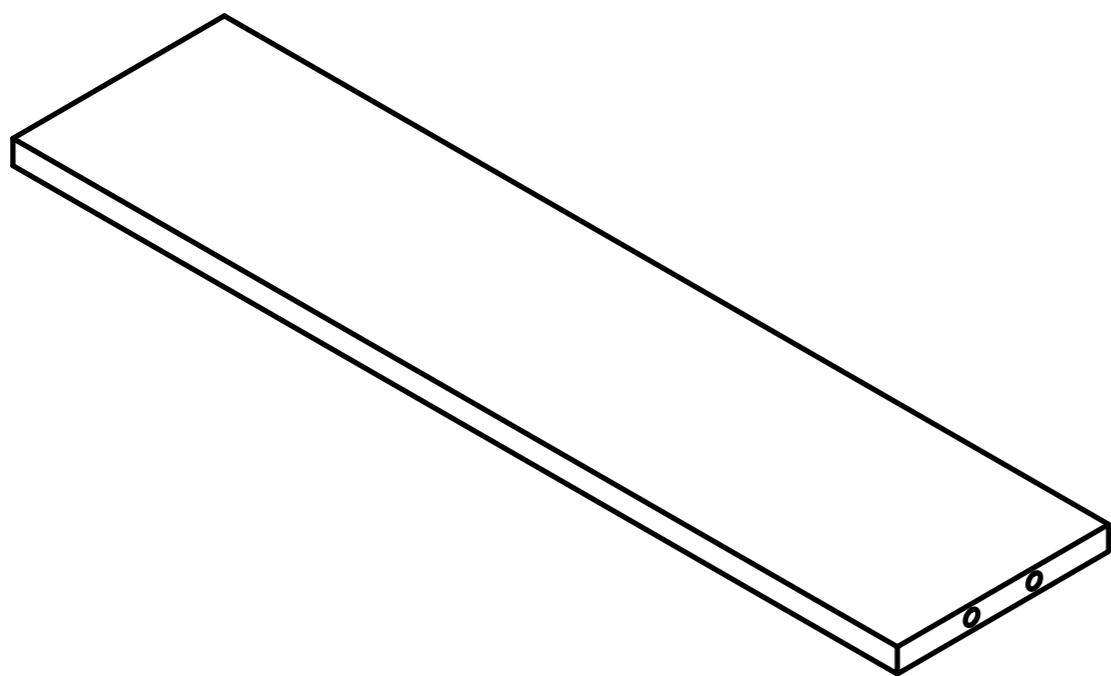
A x6



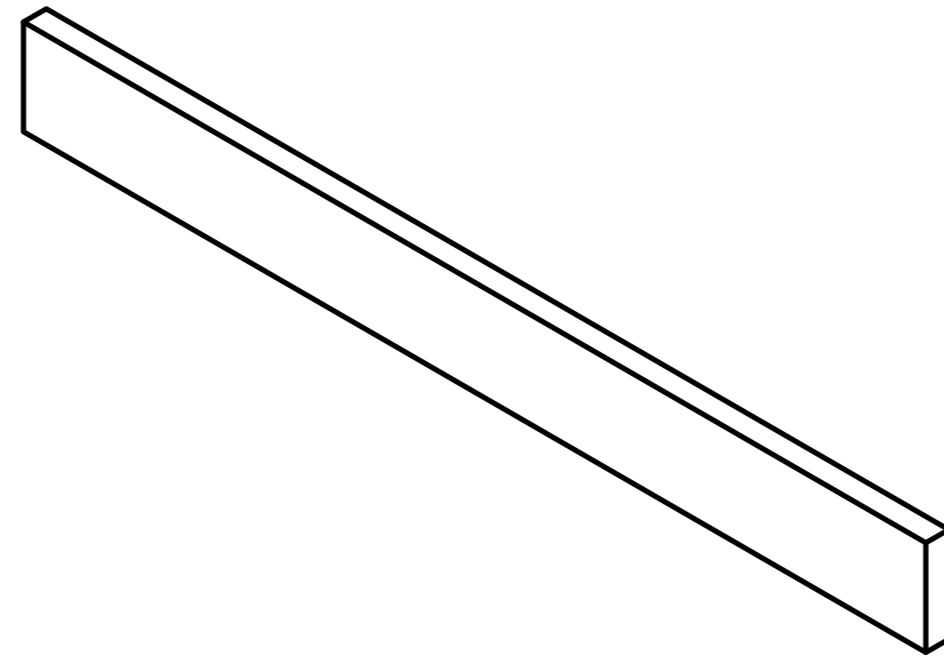
B x2



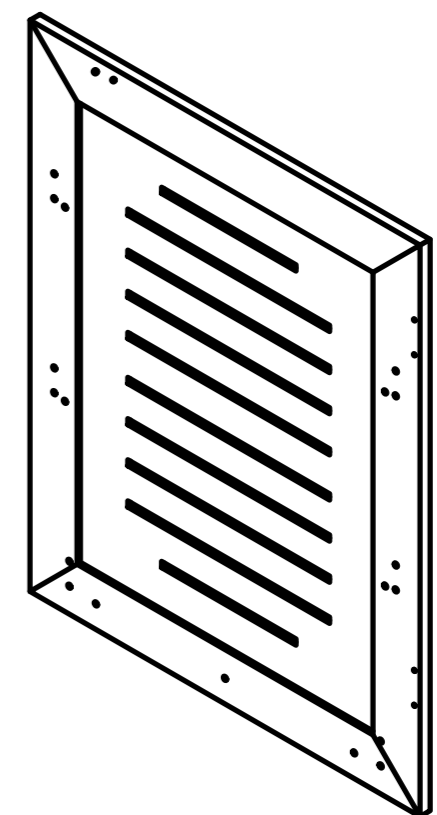
C x2



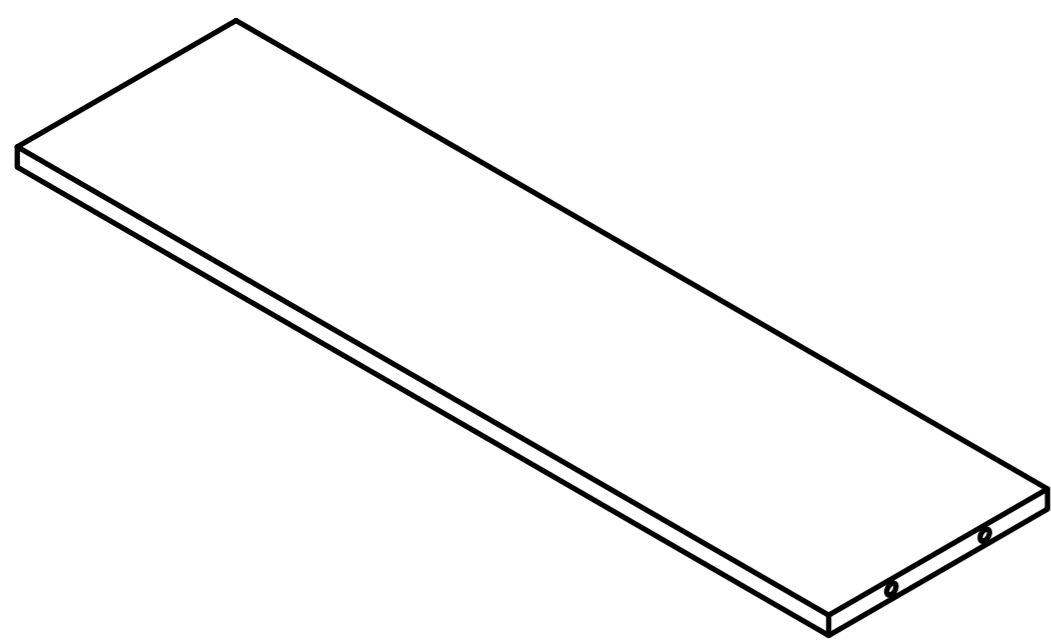
D x1



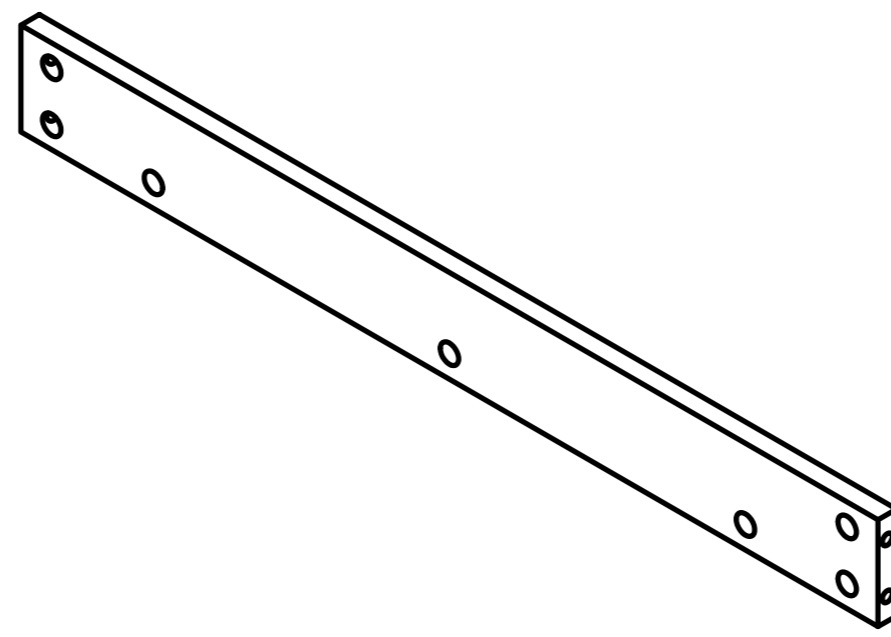
E x1



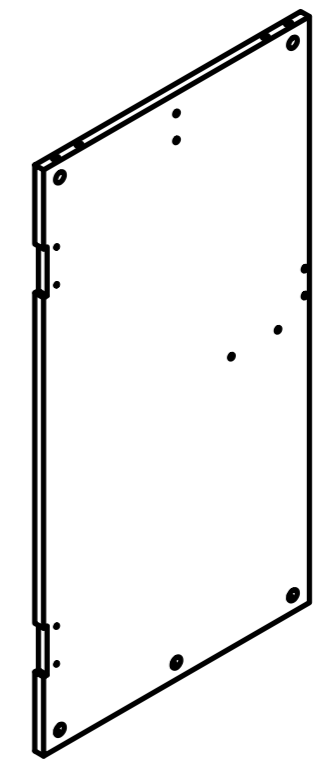
F x1



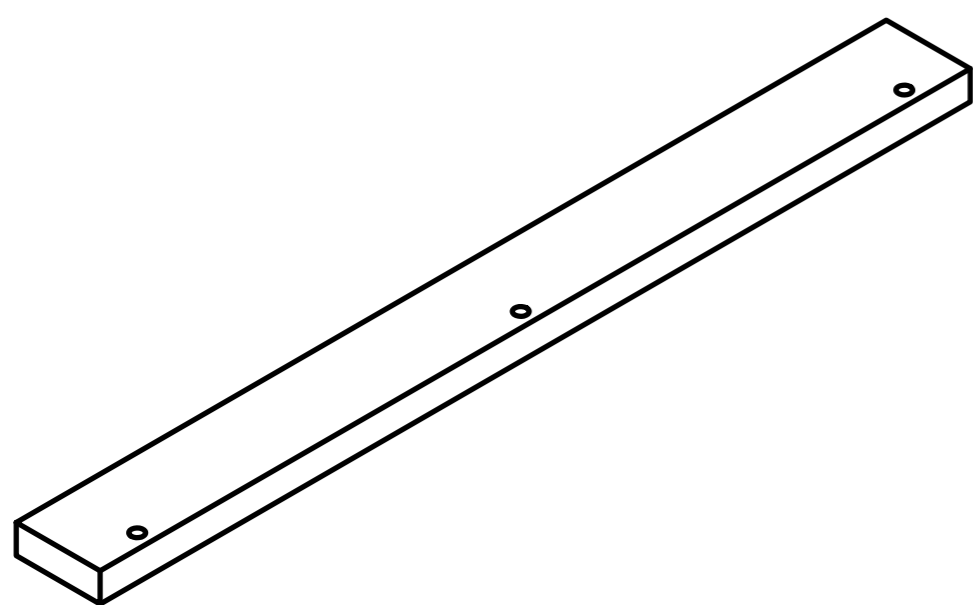
G x1



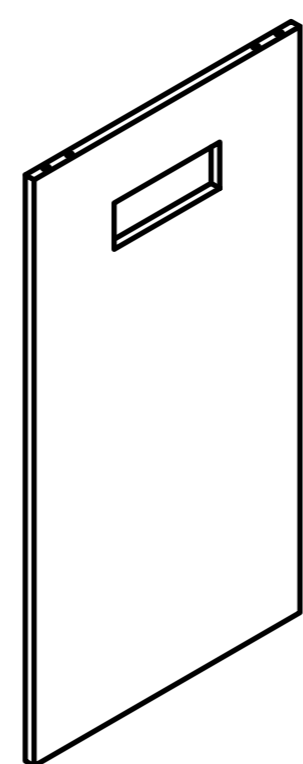
H x1



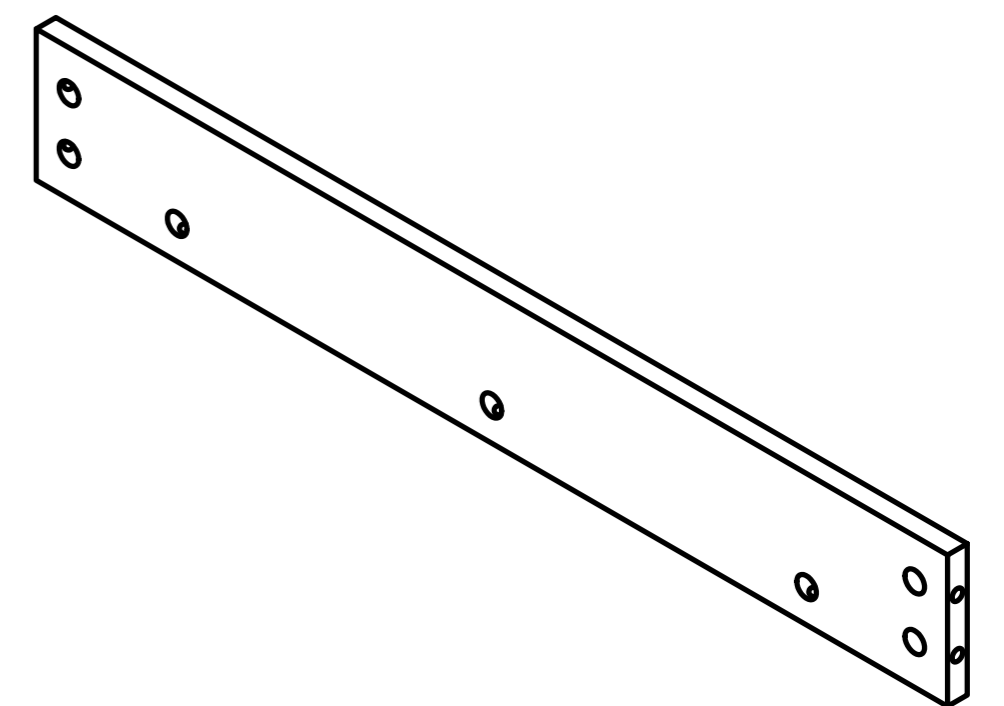
I x1



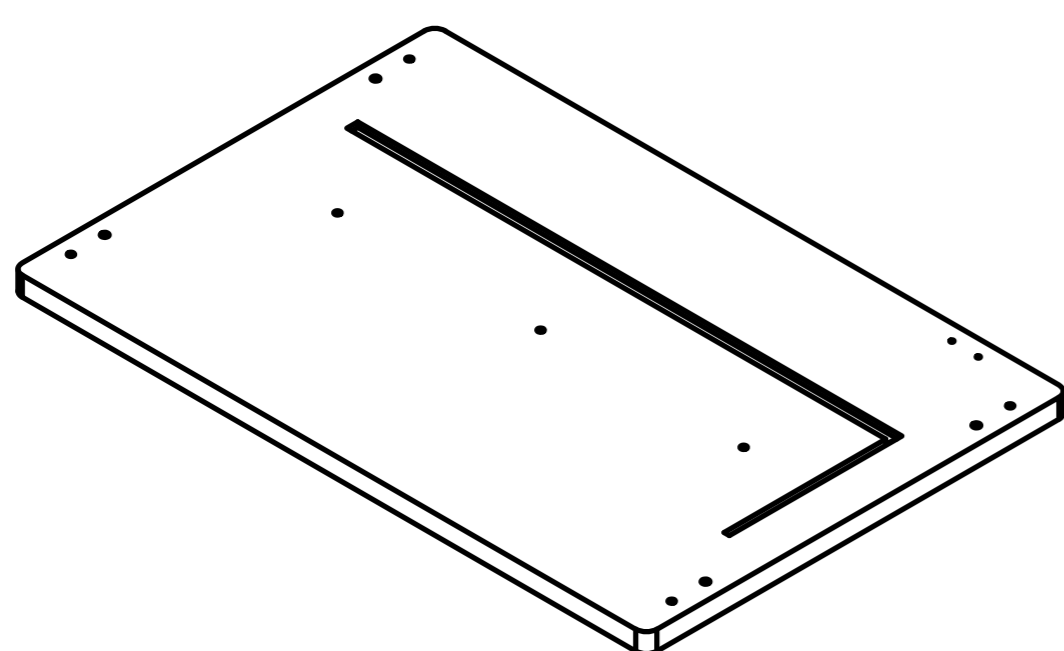
J x2



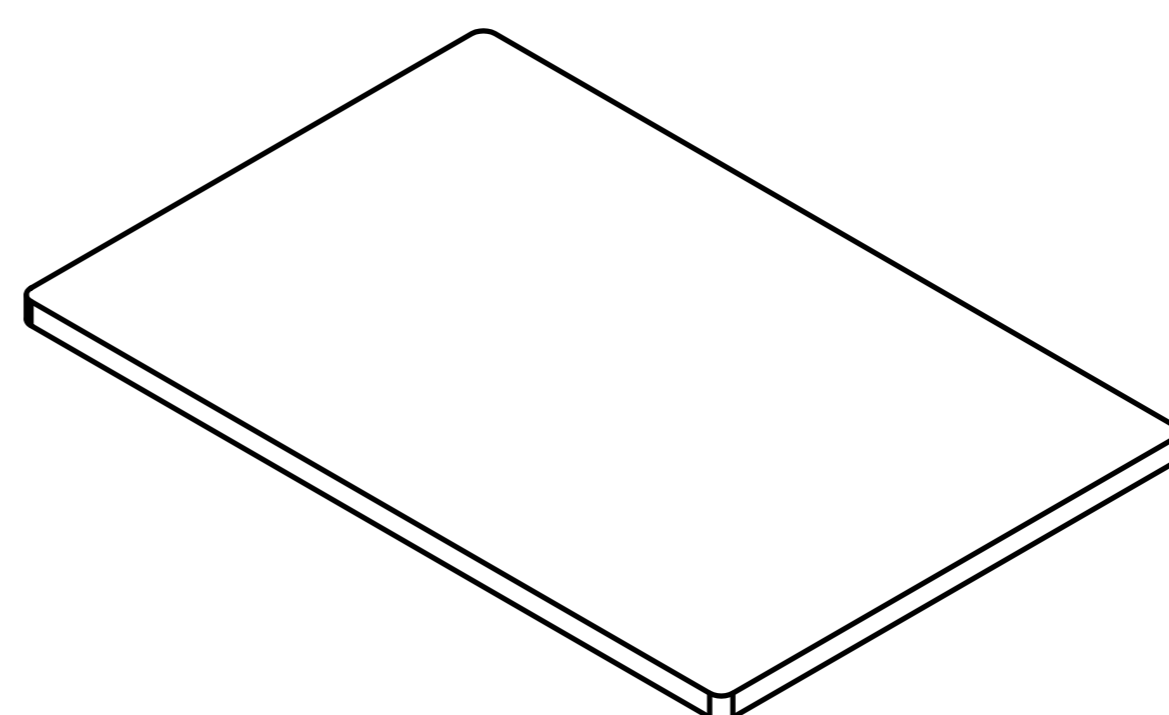
K x1



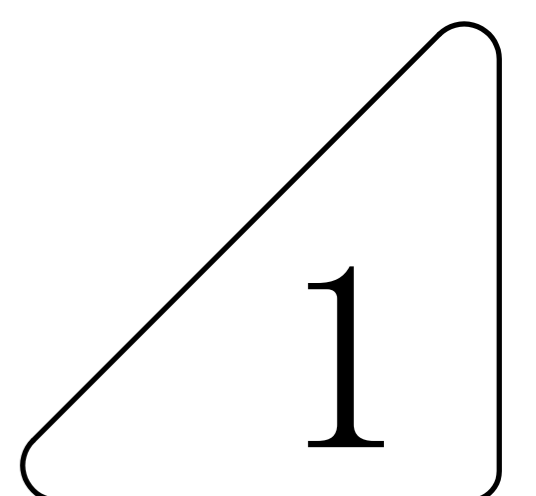
L x1



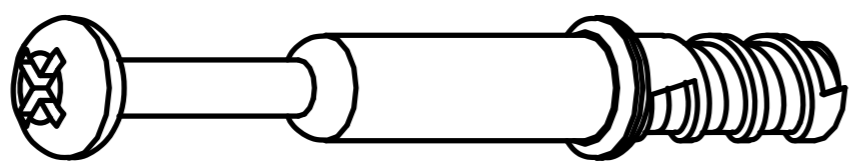
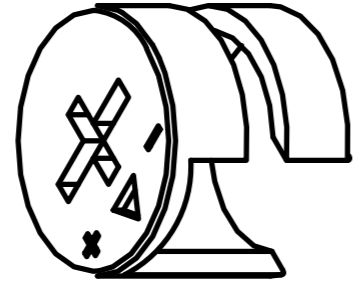

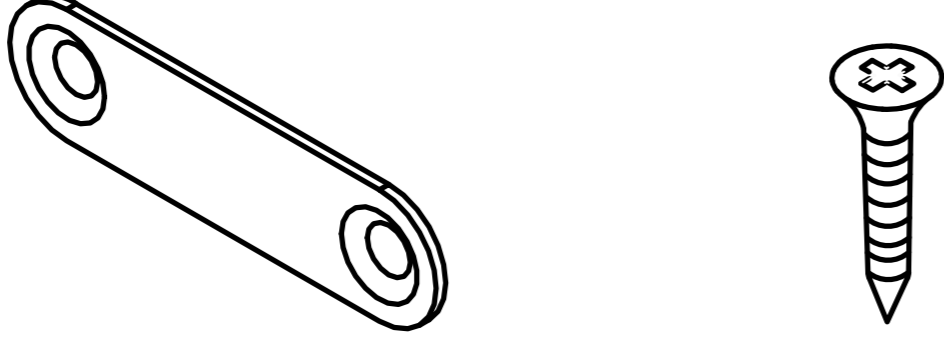
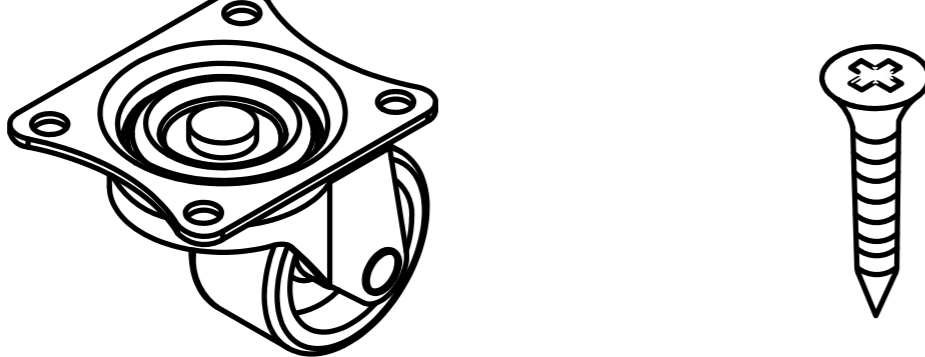
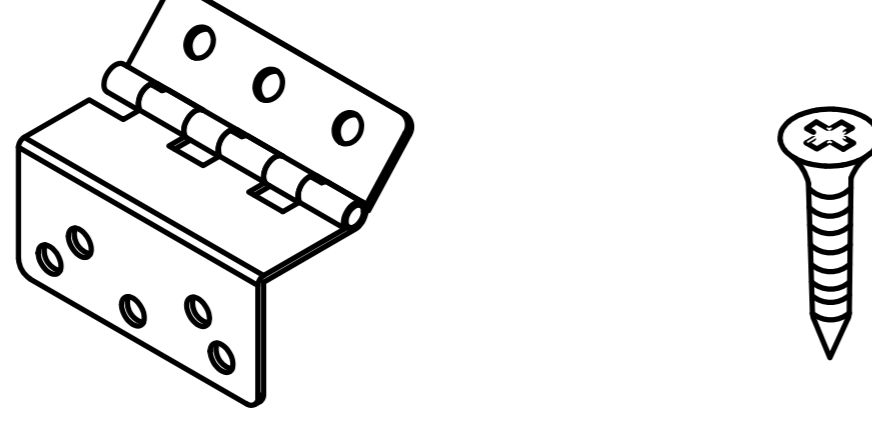
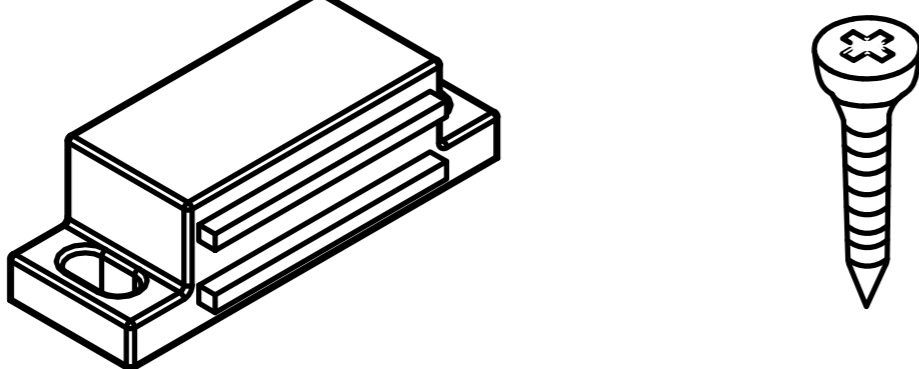
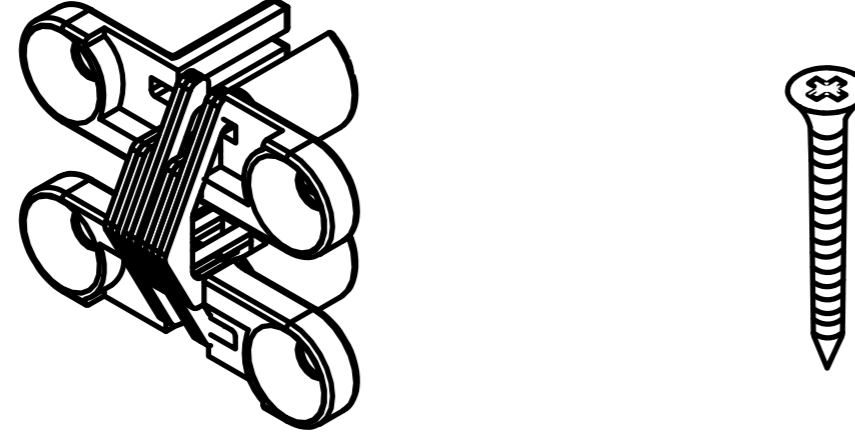
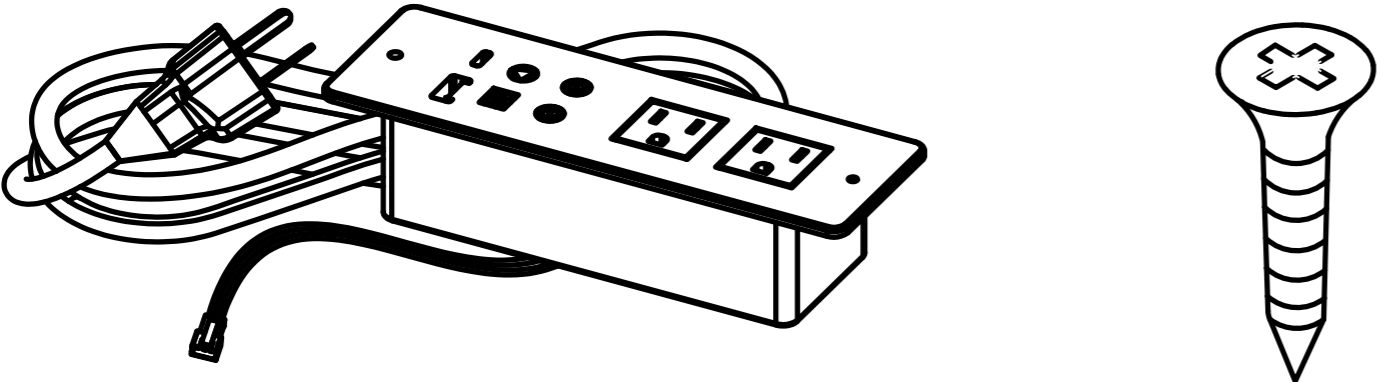
M x1

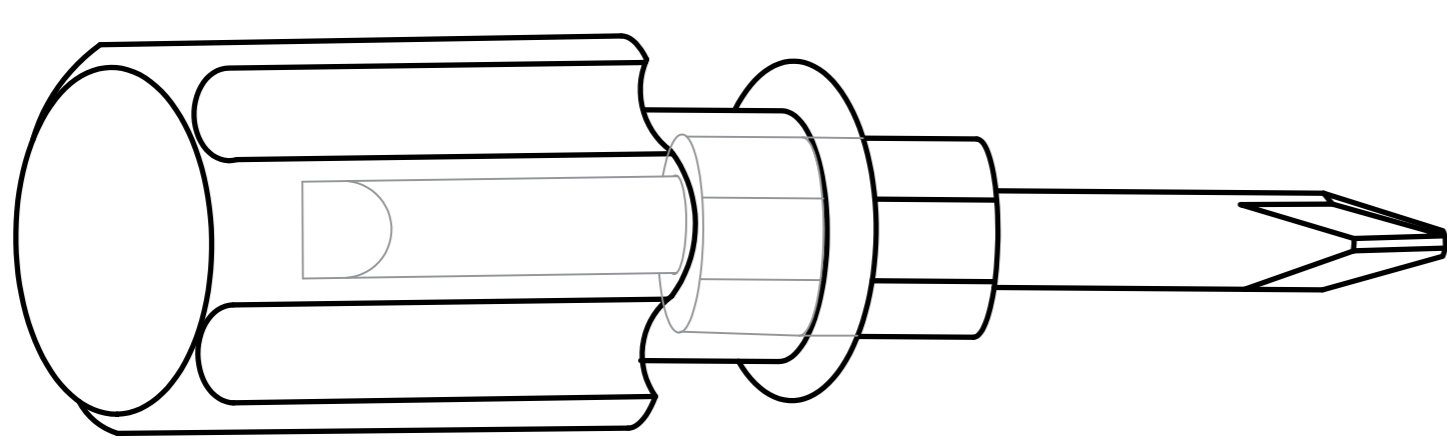


N x1

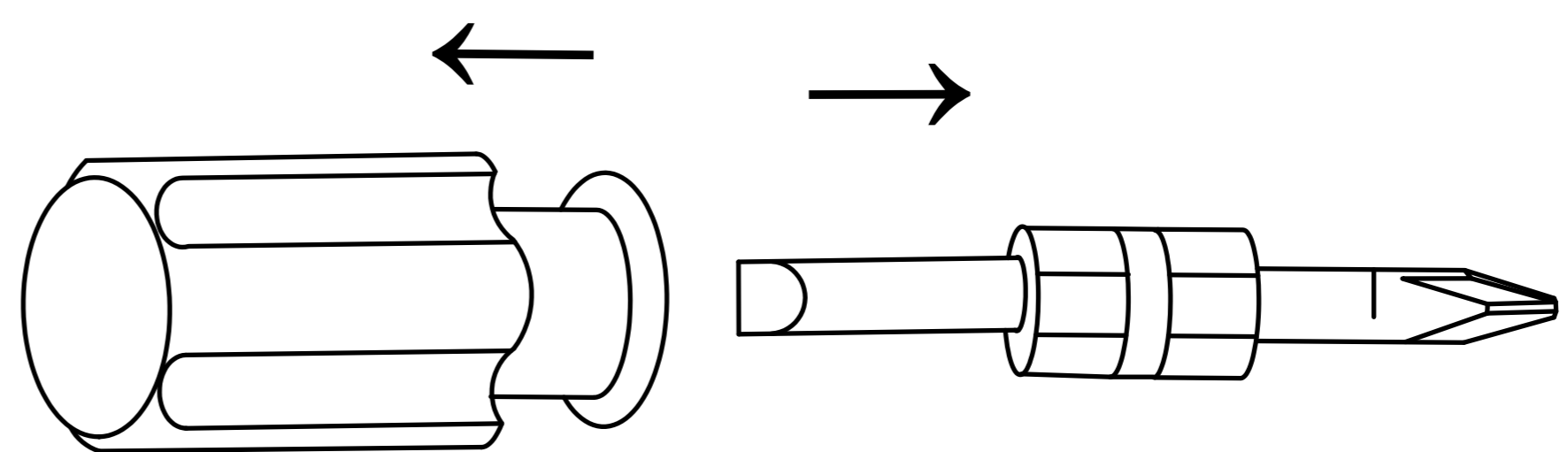


1

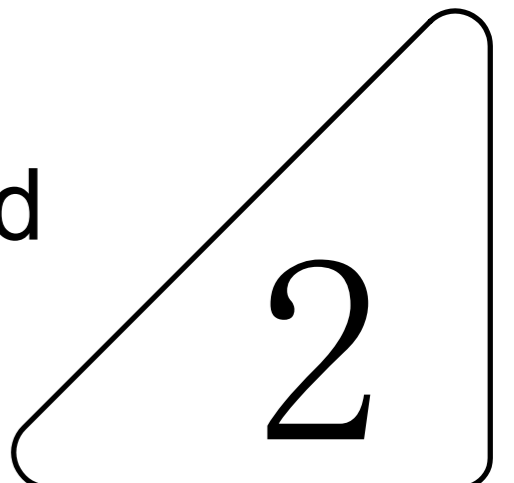
①		Two In One Screw (6x28mm)	80pcs +8pcs
②		Two In One Nut (10x12mm)	80pcs +8pcs
③		Wood Chipping (6x30mm)	4pcs +1pcs
④		Iron Sheet sheet & Screw (3x10mm)	2pcs +1pcs 1pcs
⑤		Wheel & Screw (3.5x12mm)	24pcs +3pcs 6pcs
⑥		Door hinge & Screw (3.5x12mm)	16pcs +1pcs 2pcs
⑦		Door Magnet & Screw (3x12mm)	2pcs +1pcs 1pcs
⑧		Cabinet Top Hinge & Screw (3.5x20mm)	8pcs +1pcs 2pcs
		Socket (3x10mm)	2pcs +1pcs 1pcs

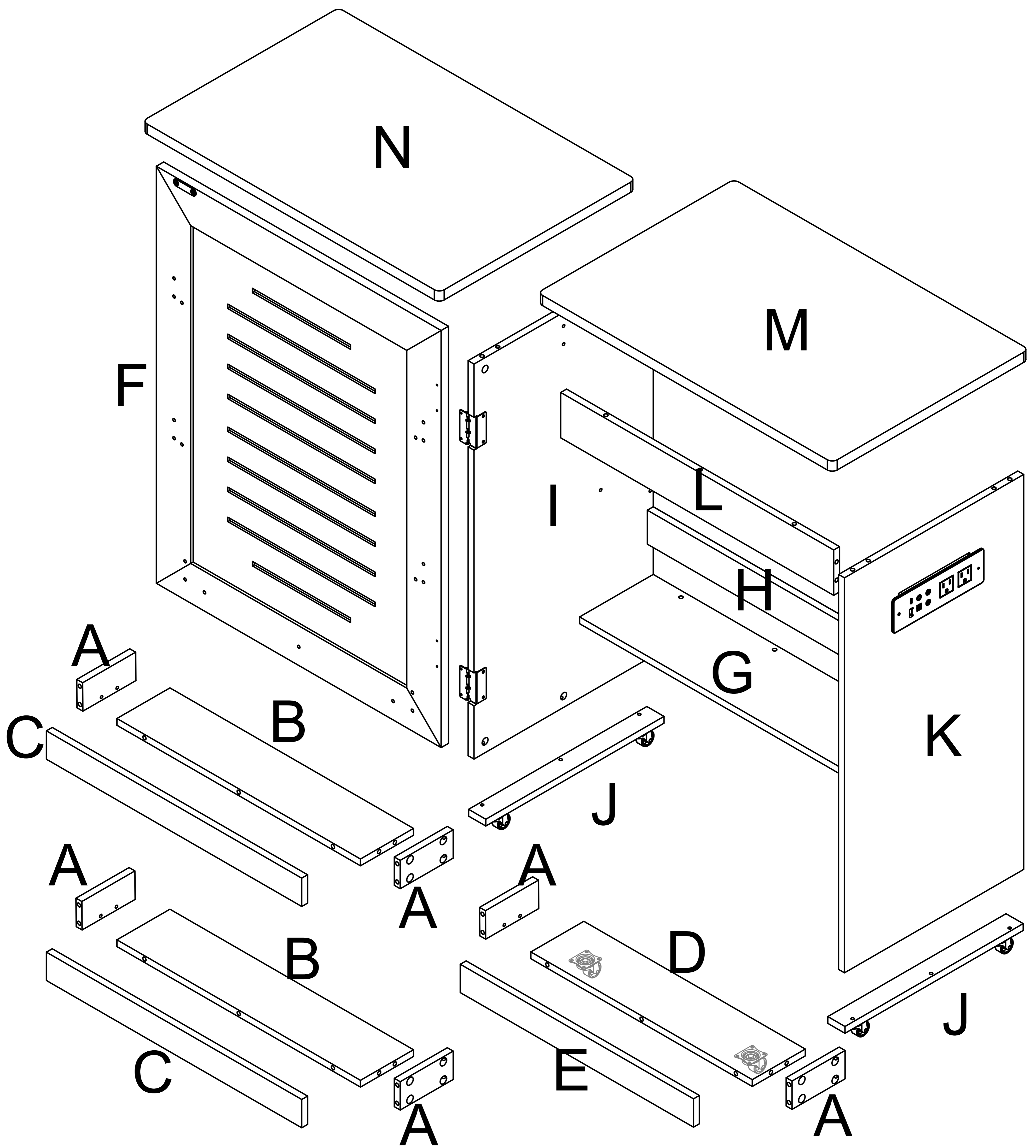


1pcs

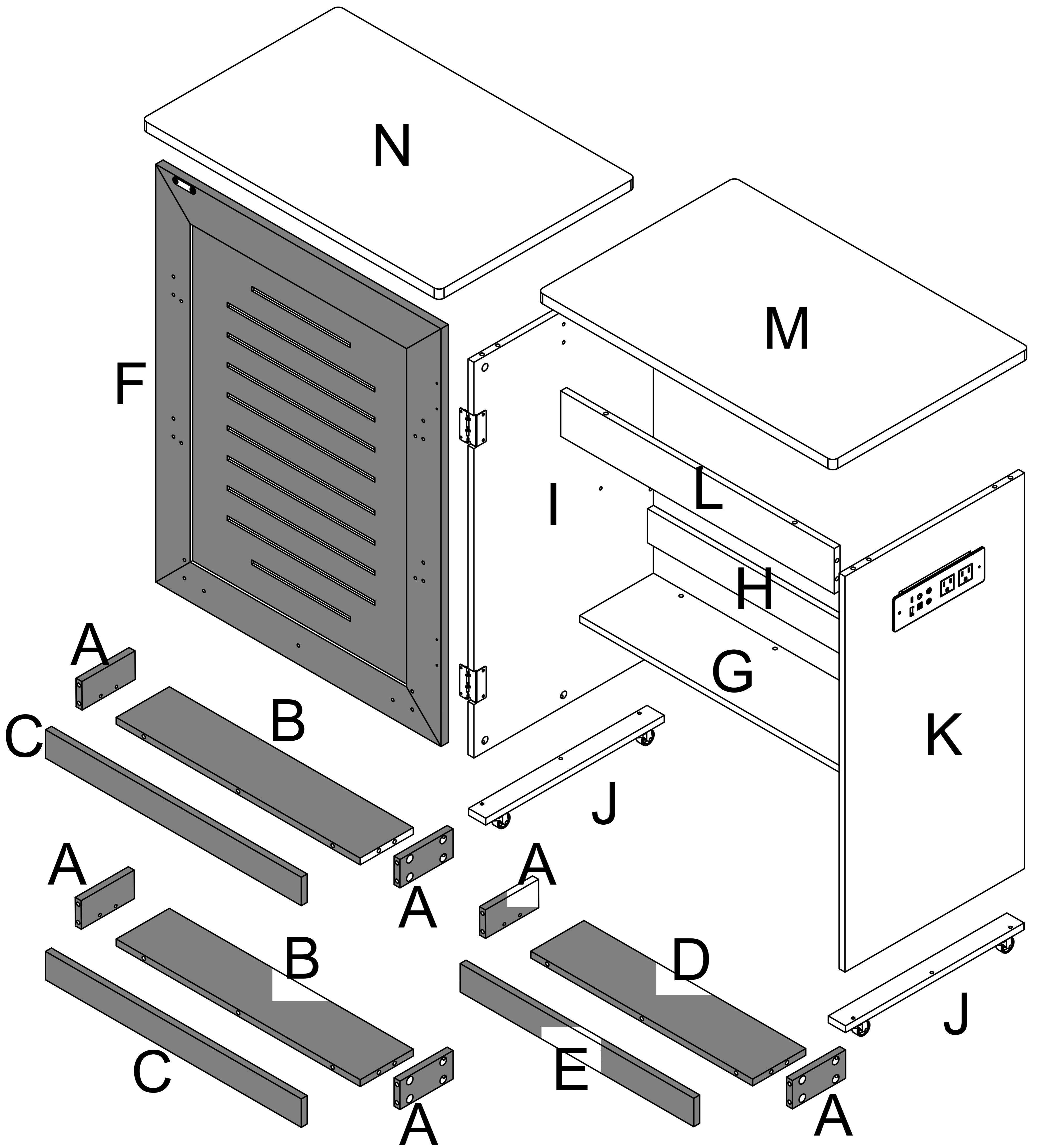


Double-head screwdriver, use as required





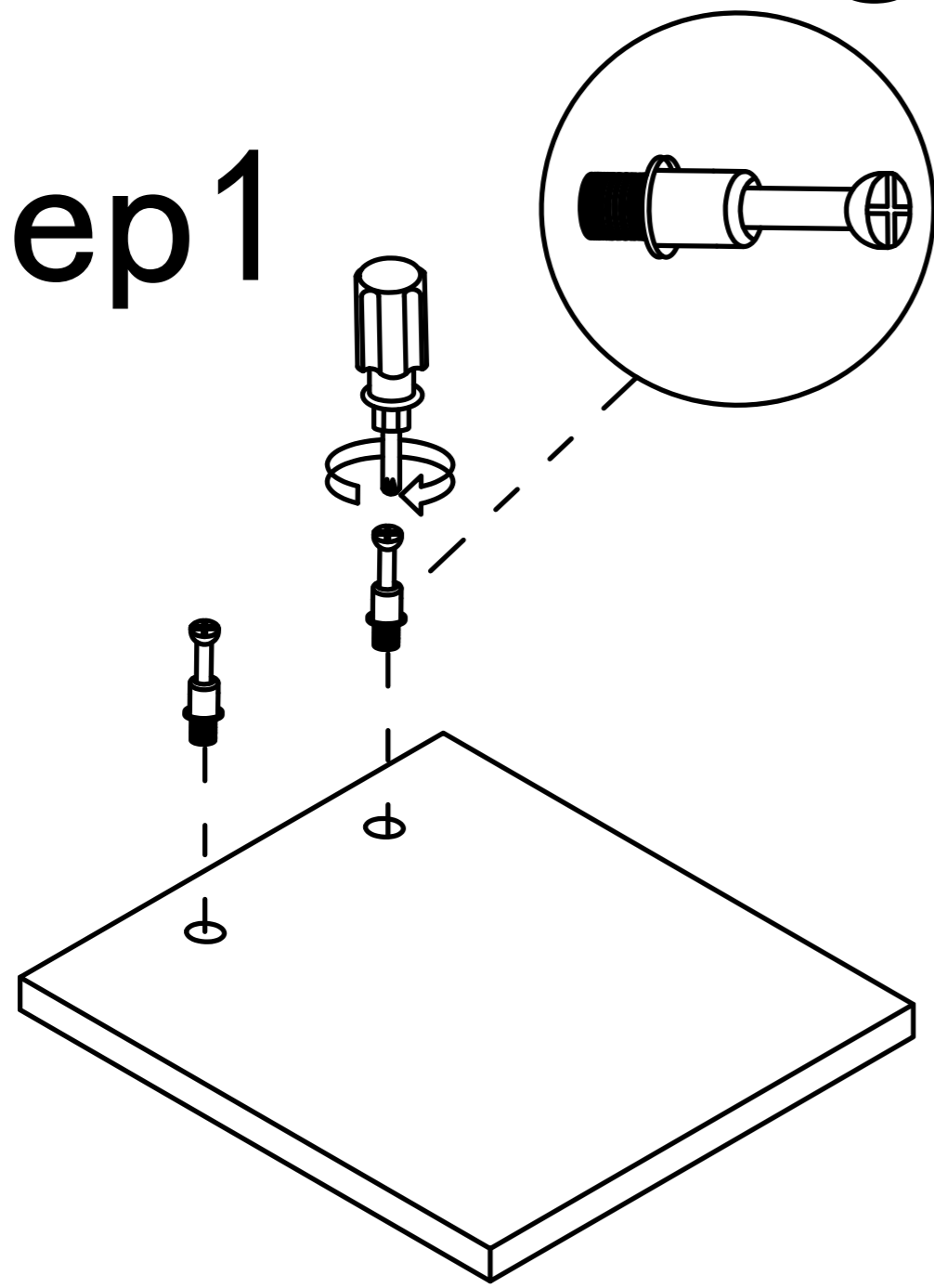
Product structure decomposition



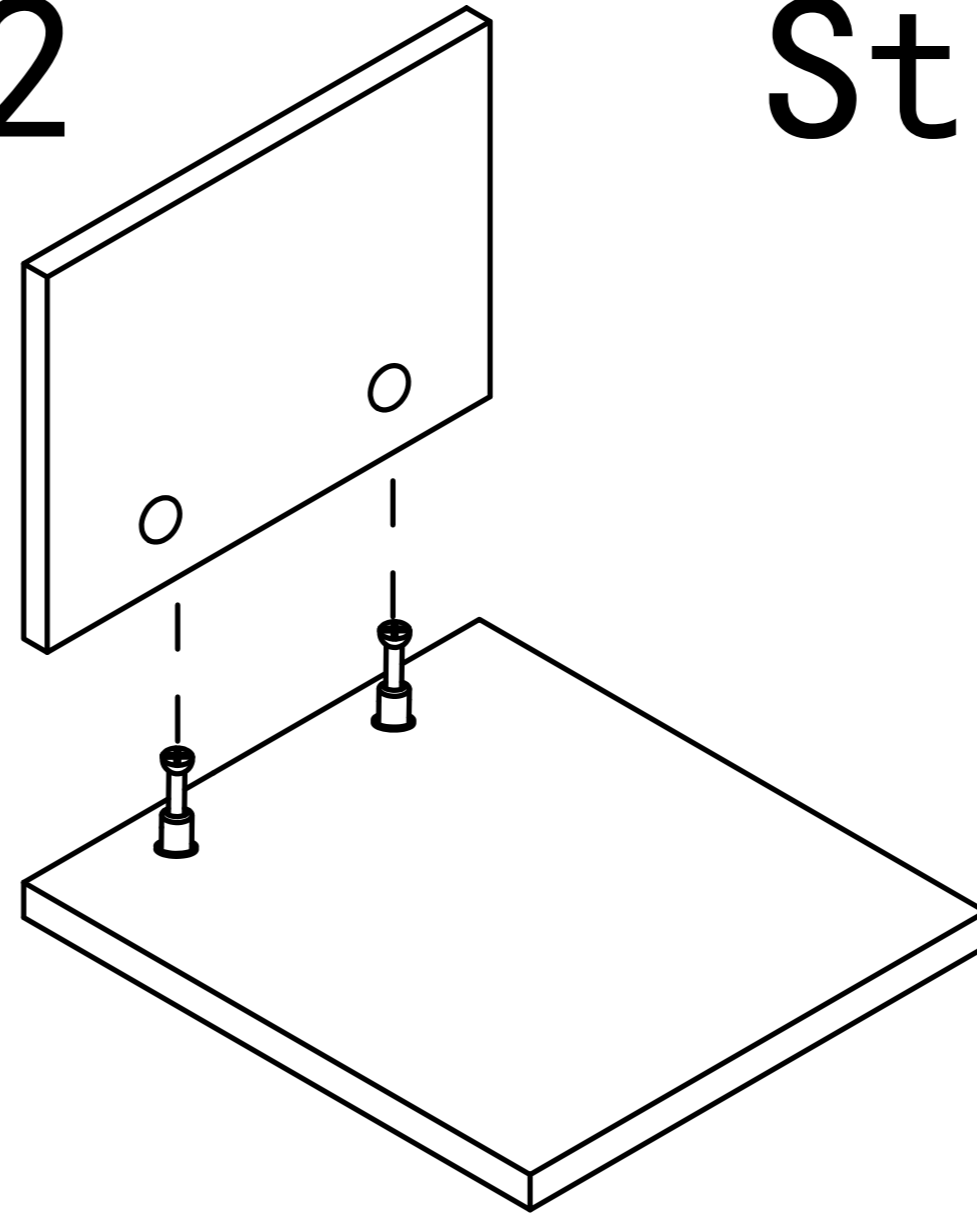
Product structure decomposition

Use parts ① and ②

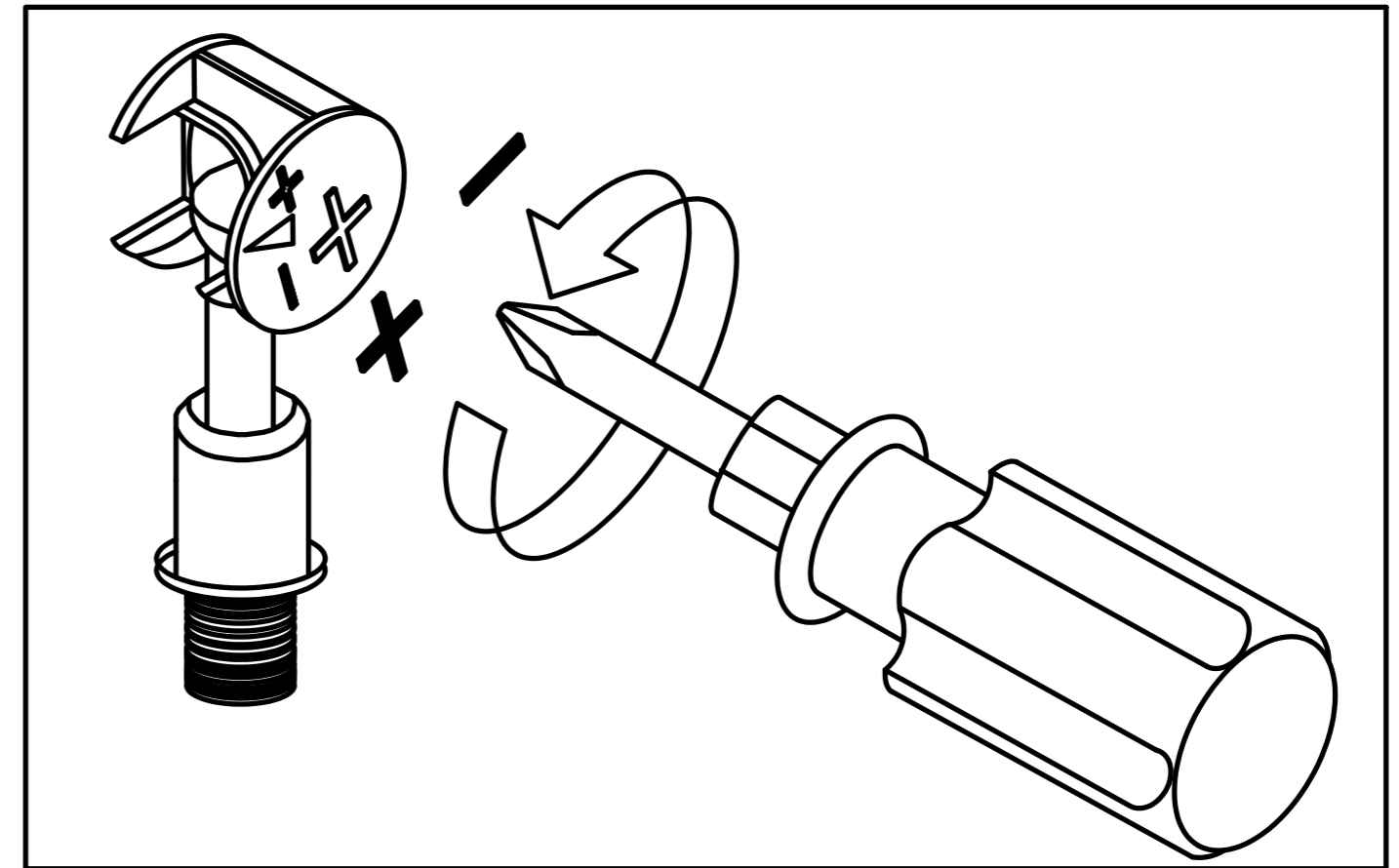
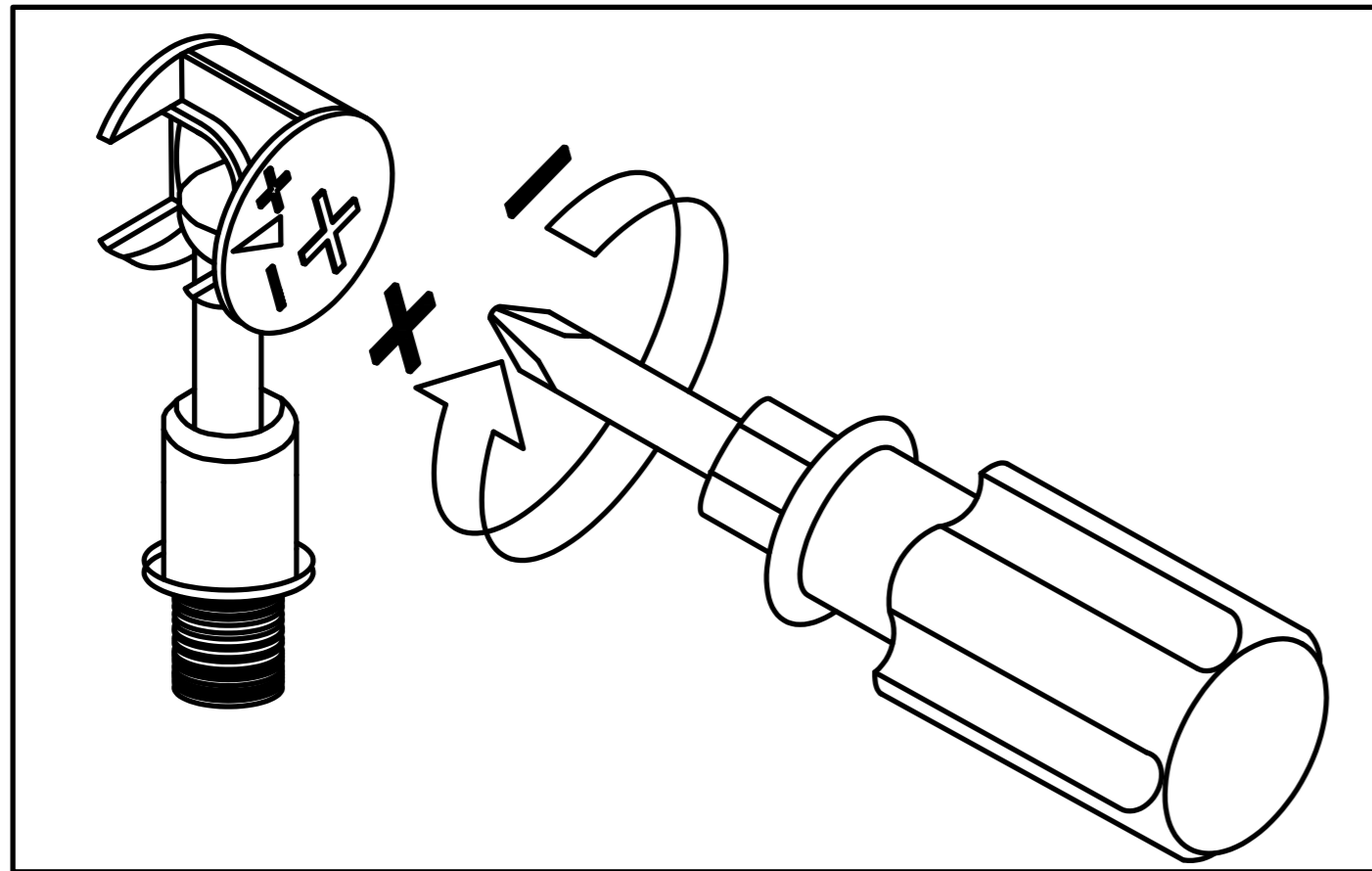
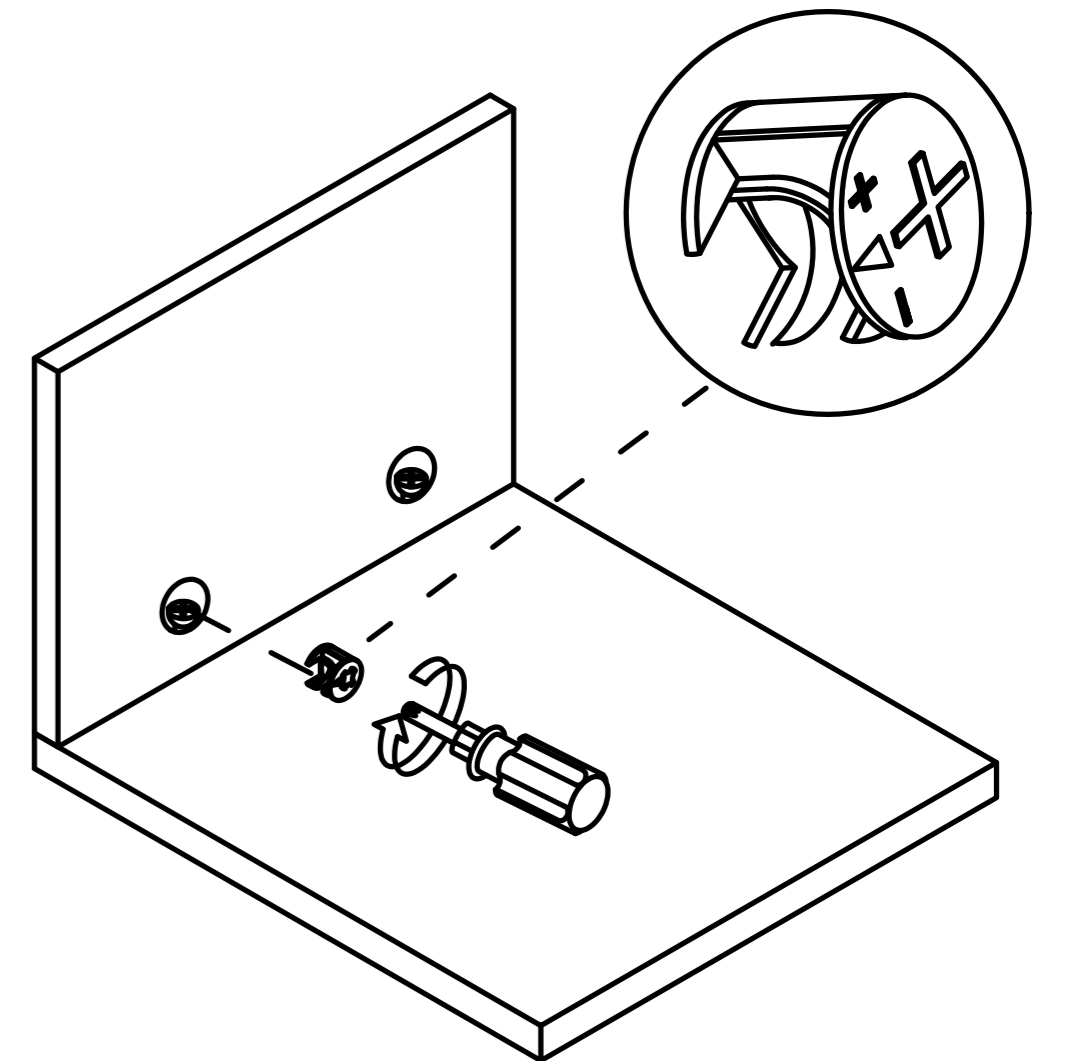
Step 1



Step 2



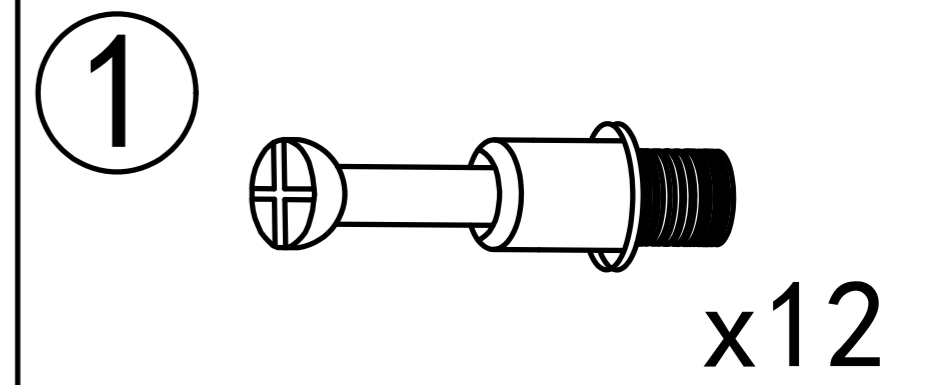
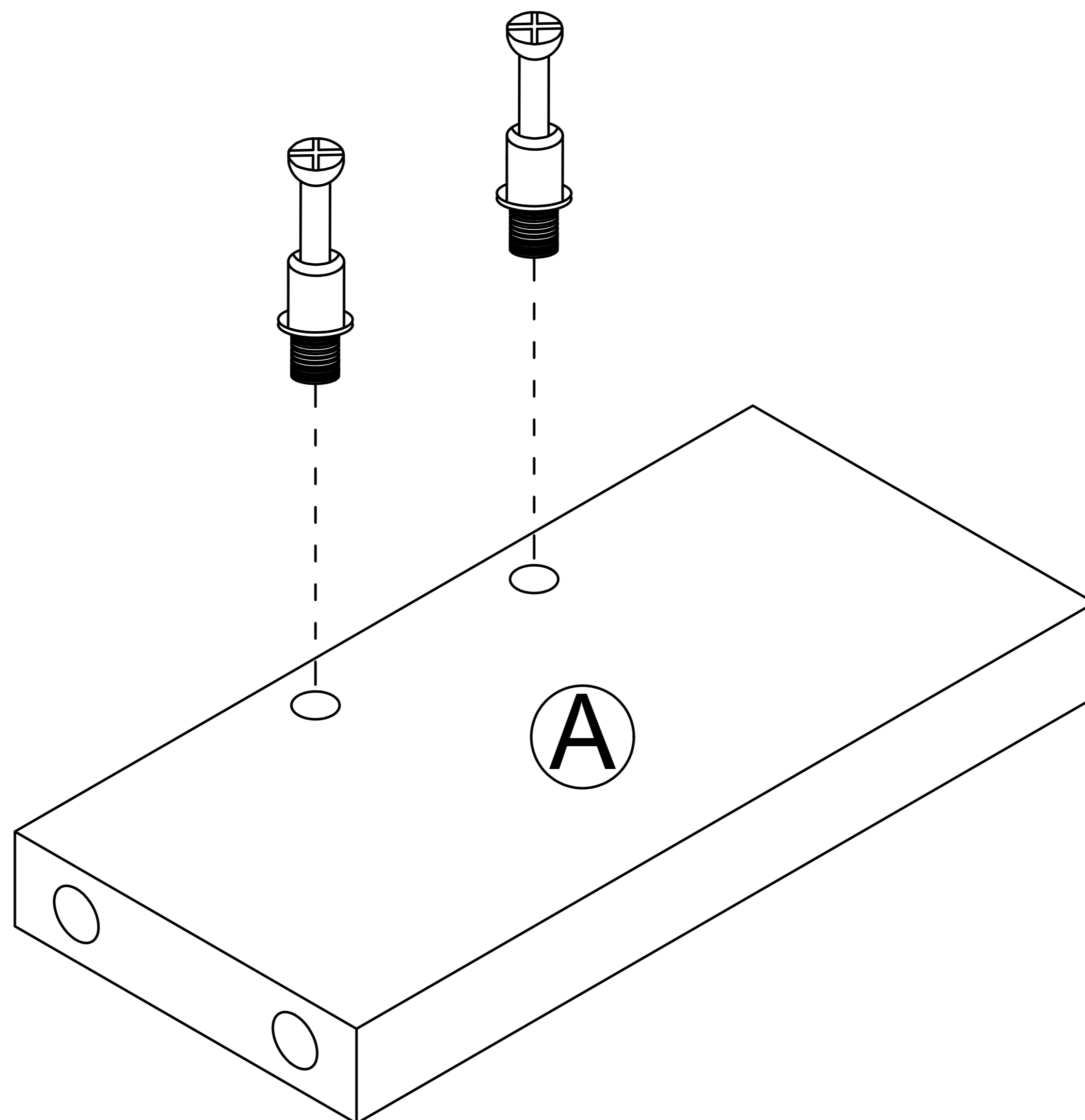
Step 3



Use a screwdriver to lock in the direction of the "+" sign

Disassemble along the direction of "-" sign

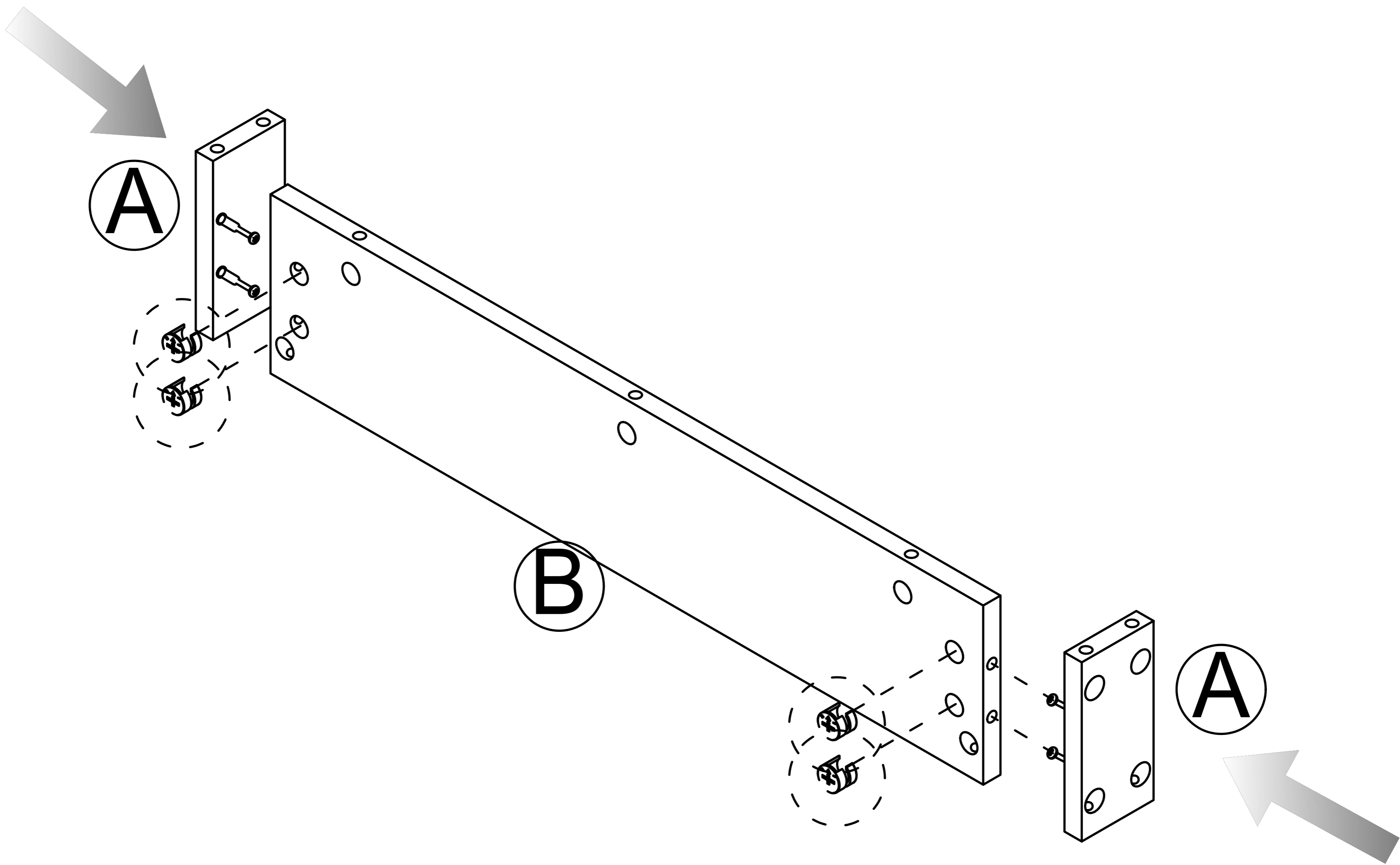
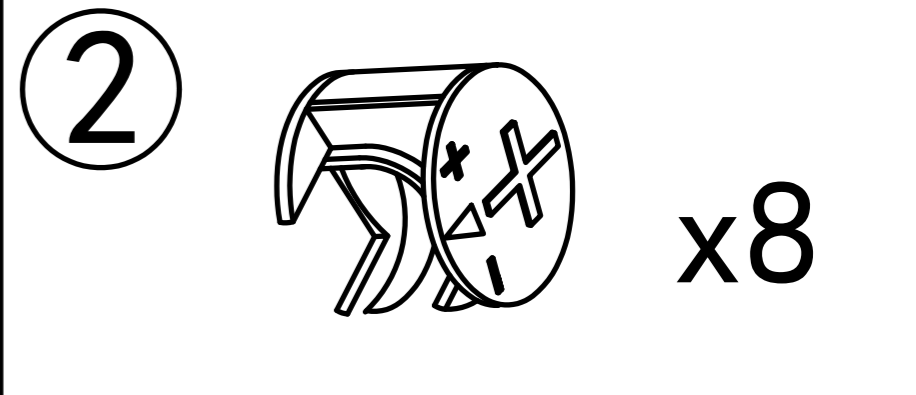
Step 1



Steps and objects x6

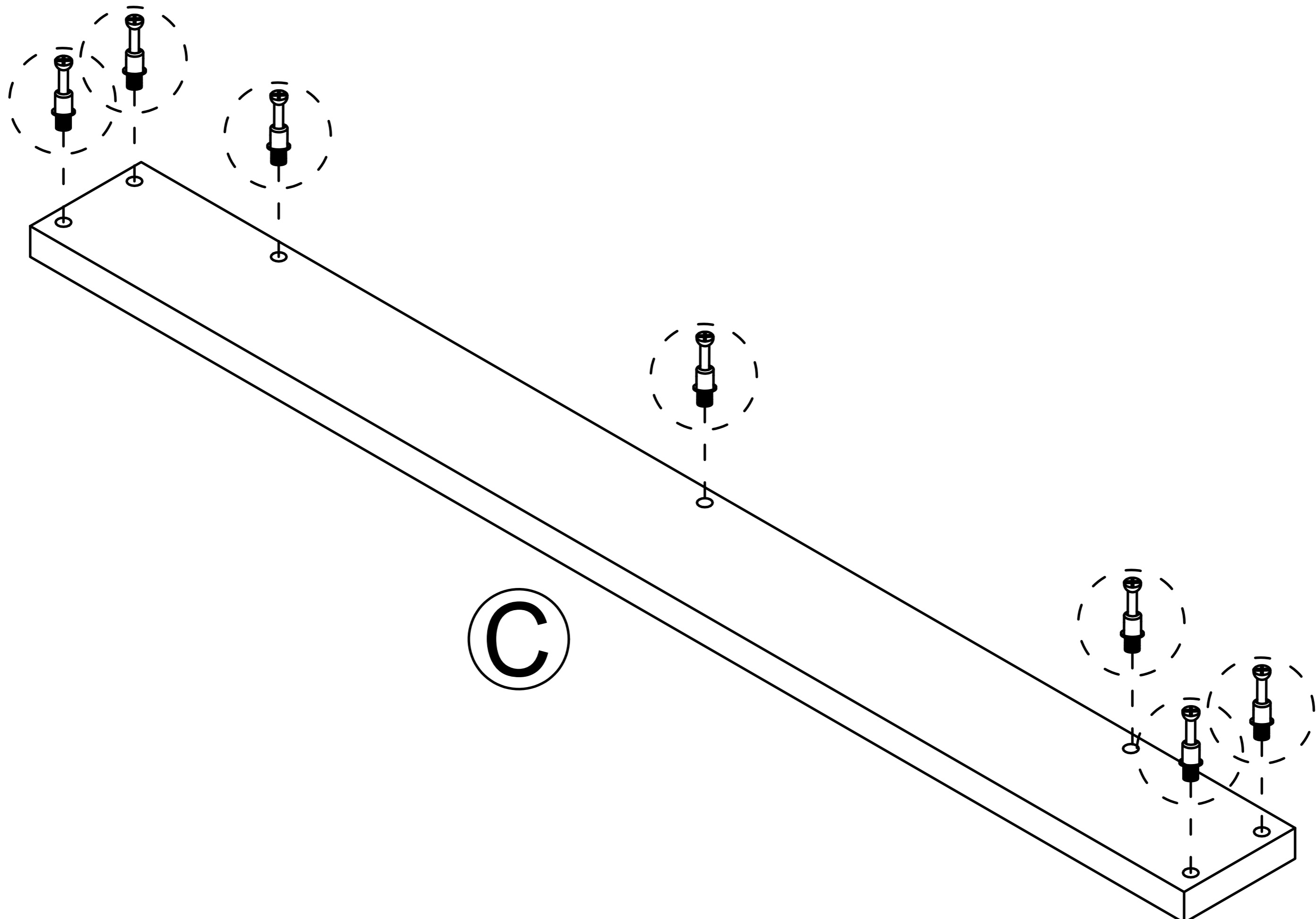
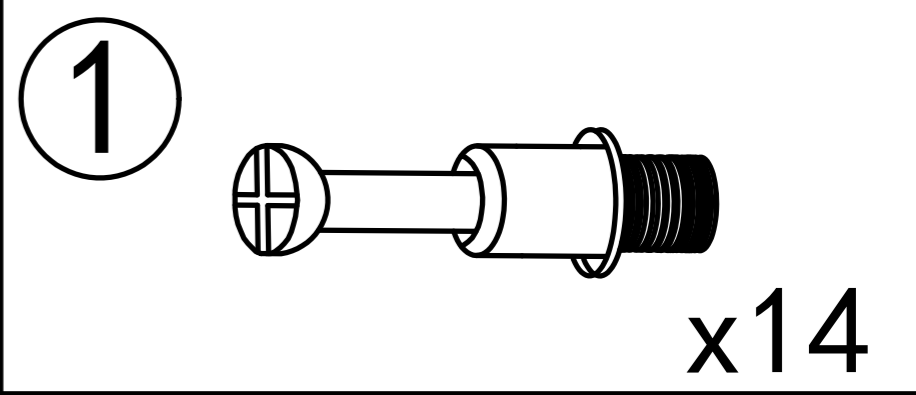
5

Step 2

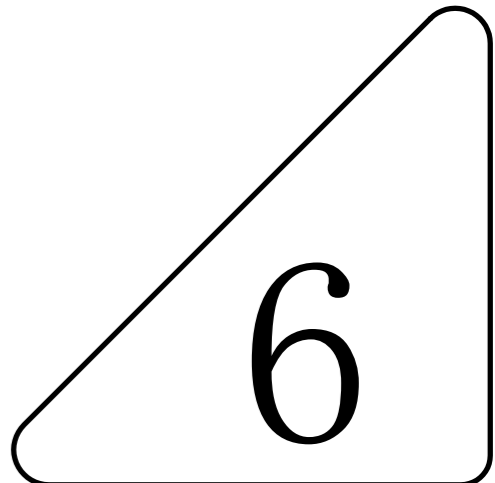


Steps and objects x2

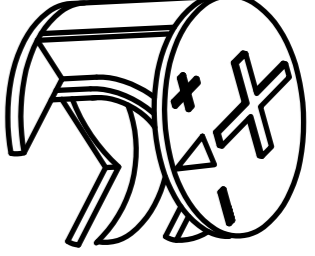
Step 3

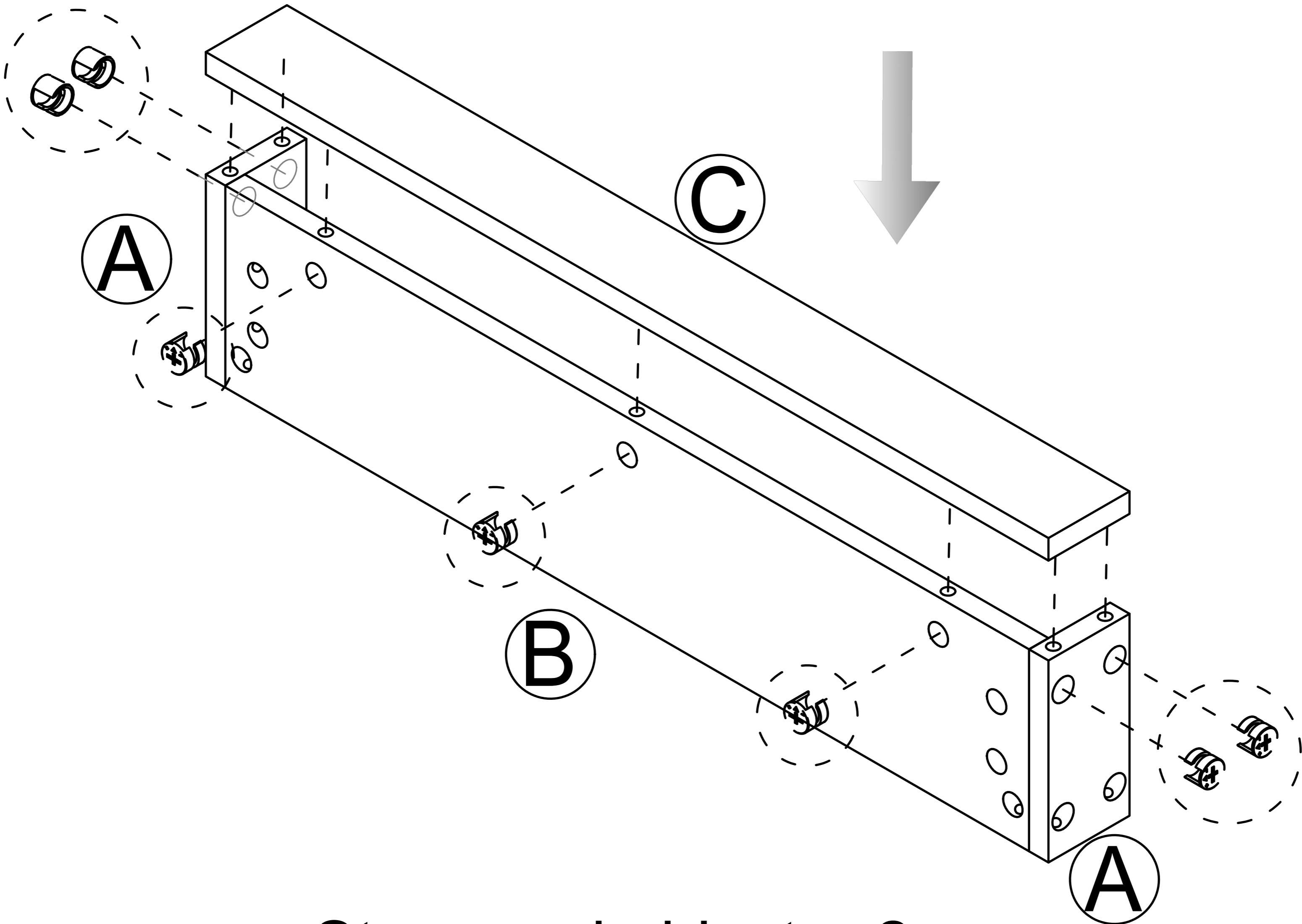


Steps and objects x2



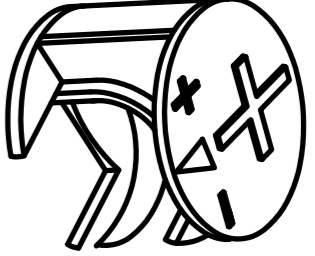
Step 4

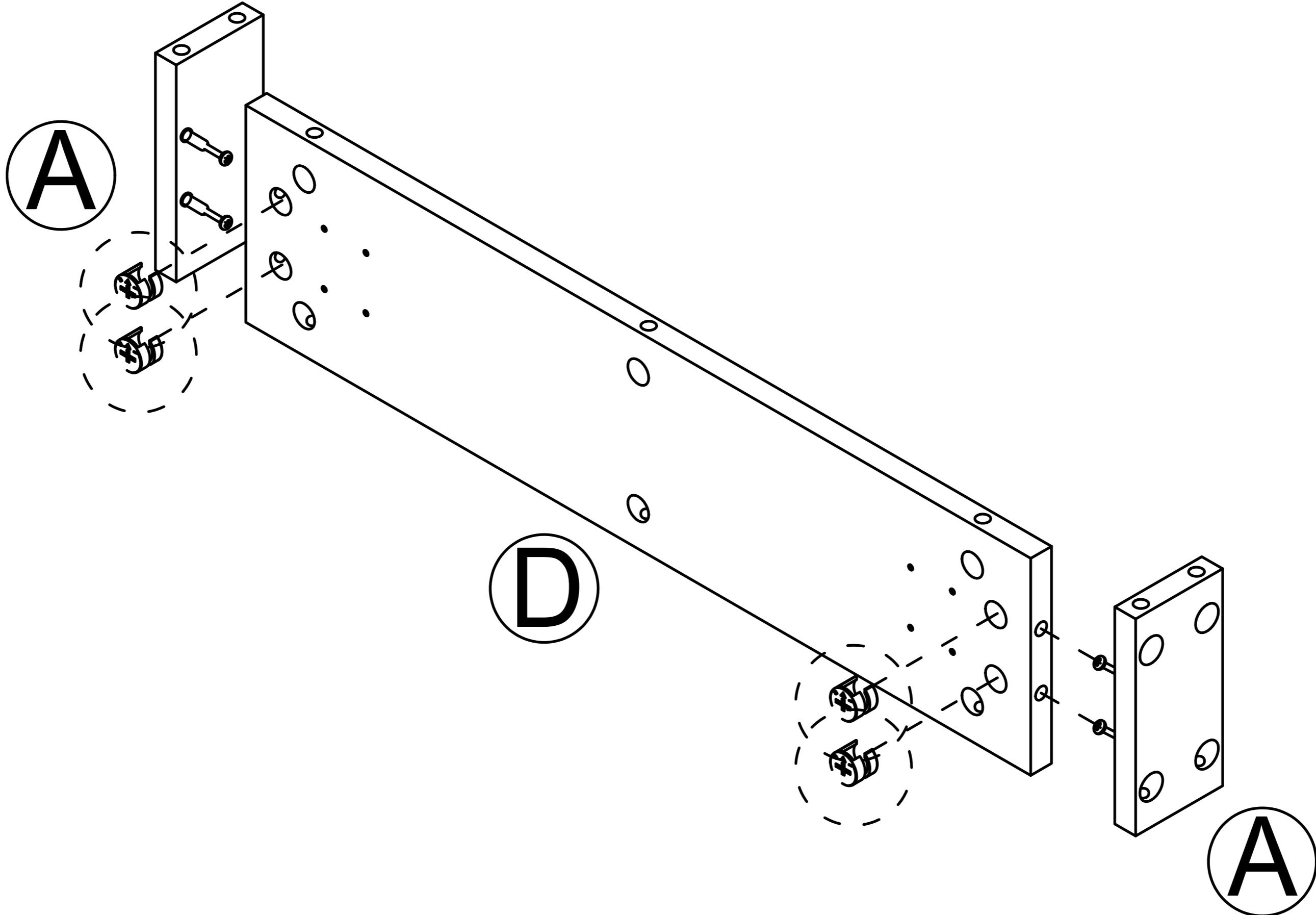
②  x14



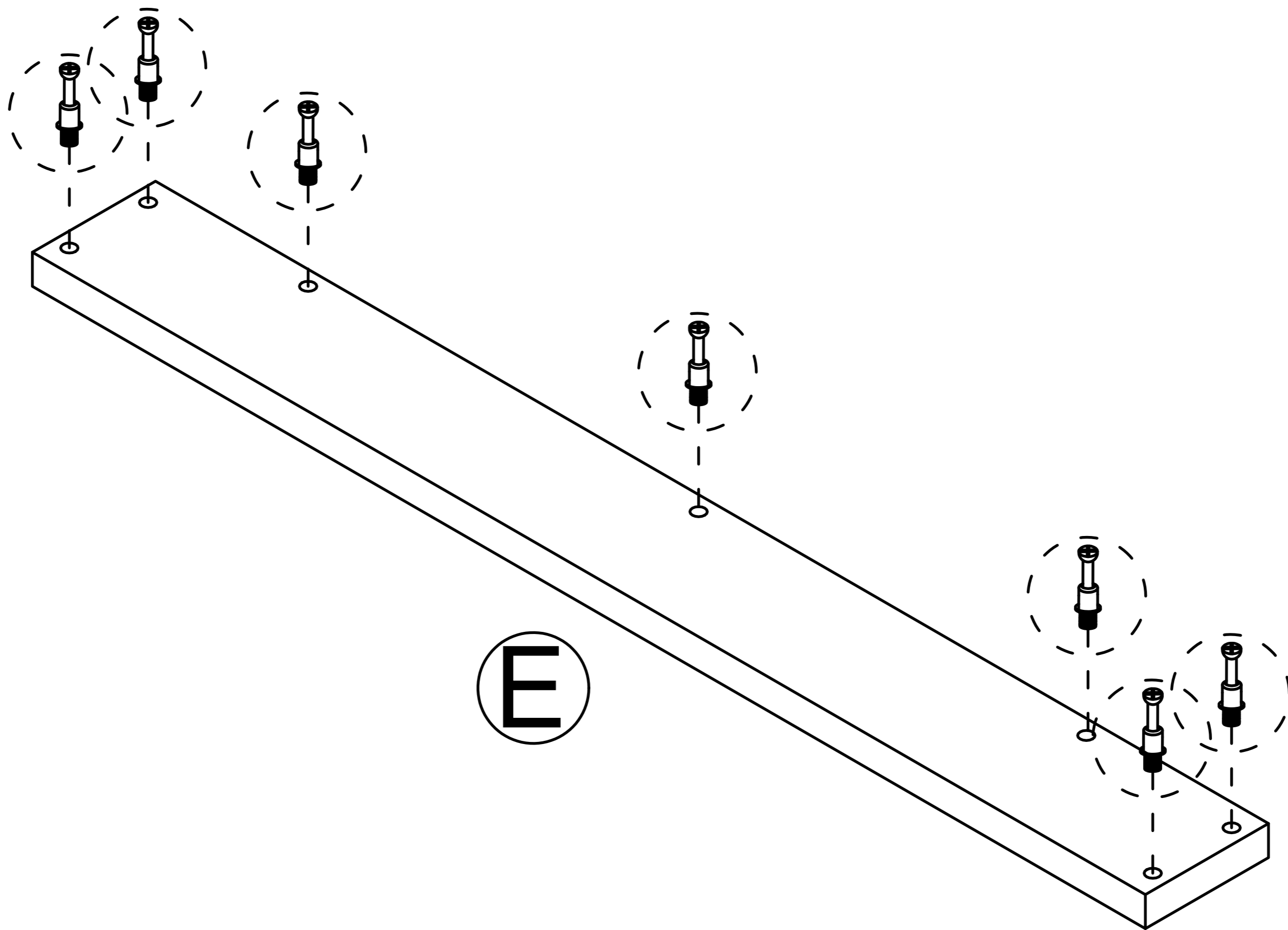
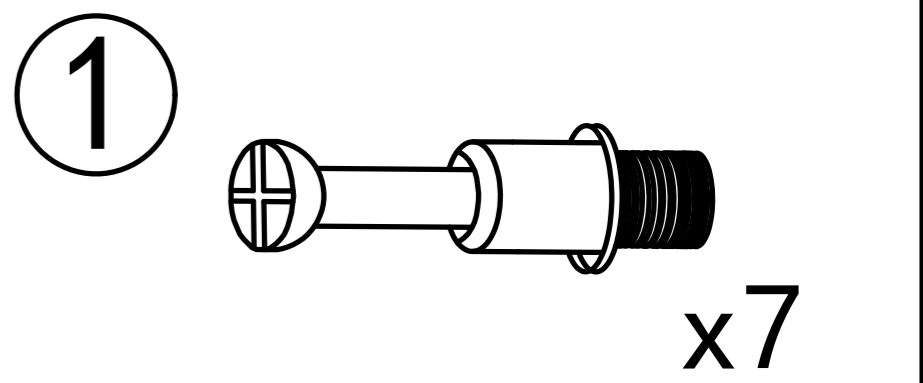
Steps and objects x2

Step 5

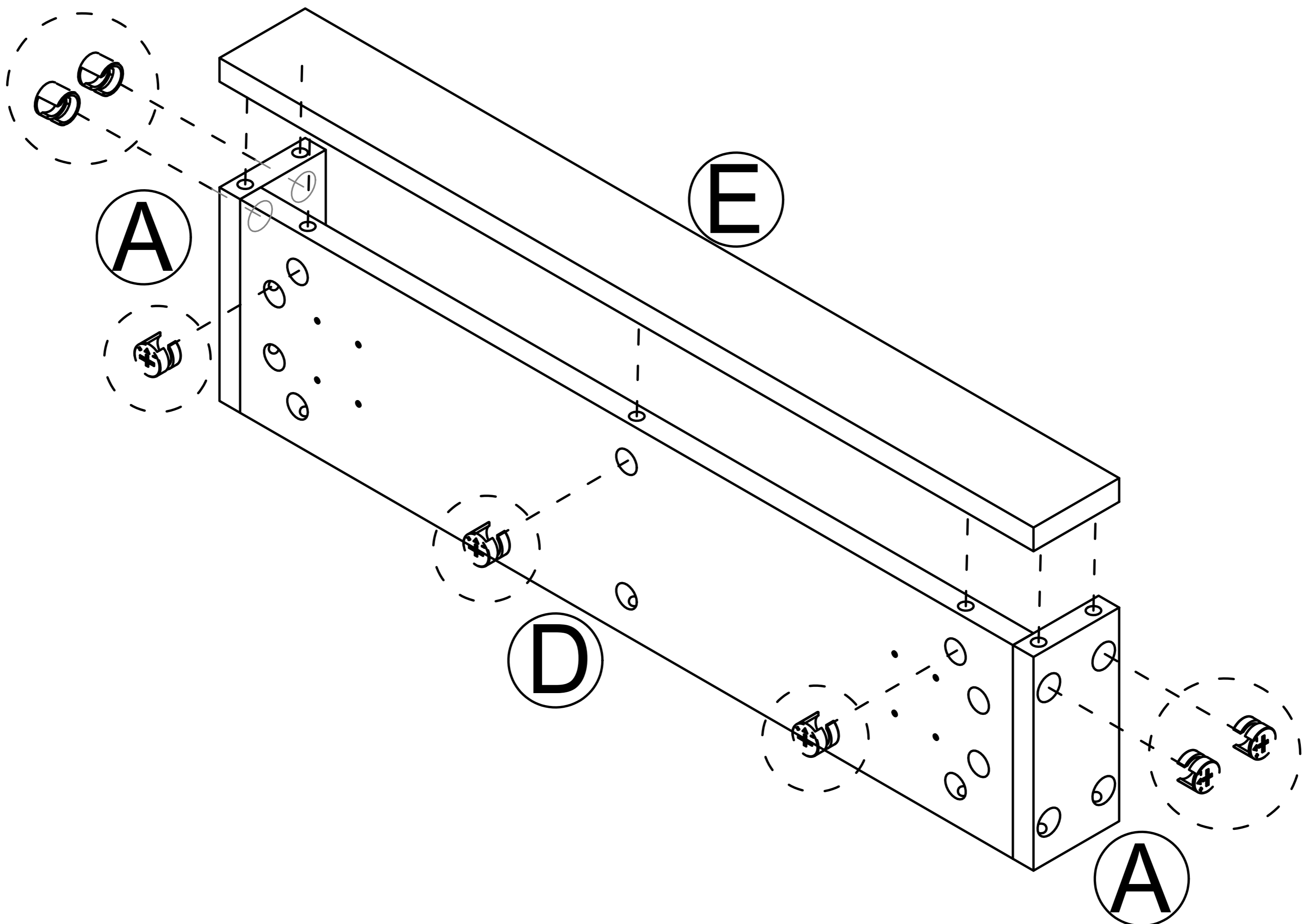
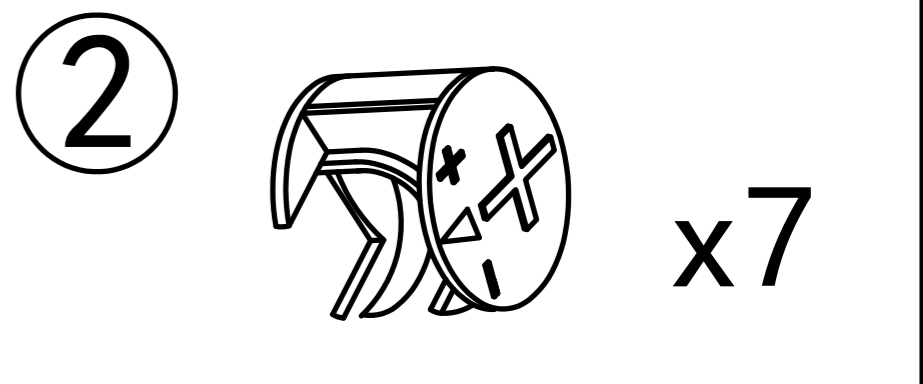
②  x4



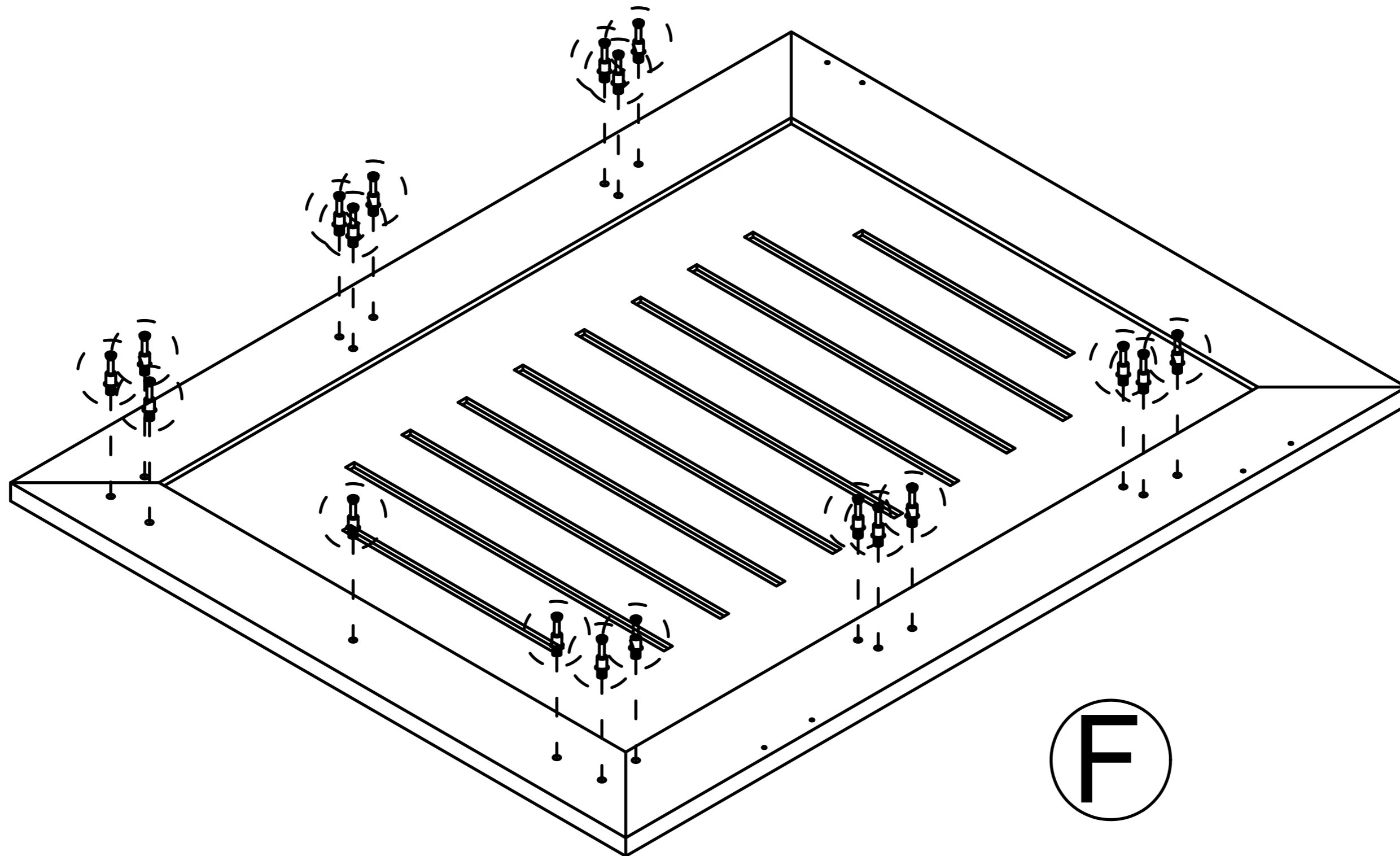
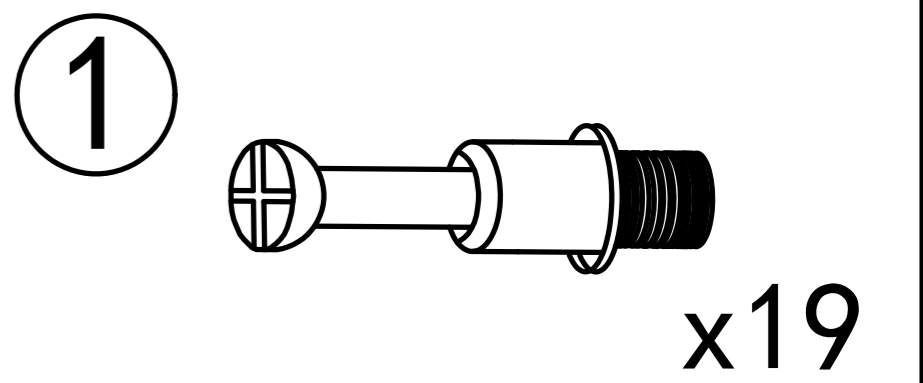
Step 6



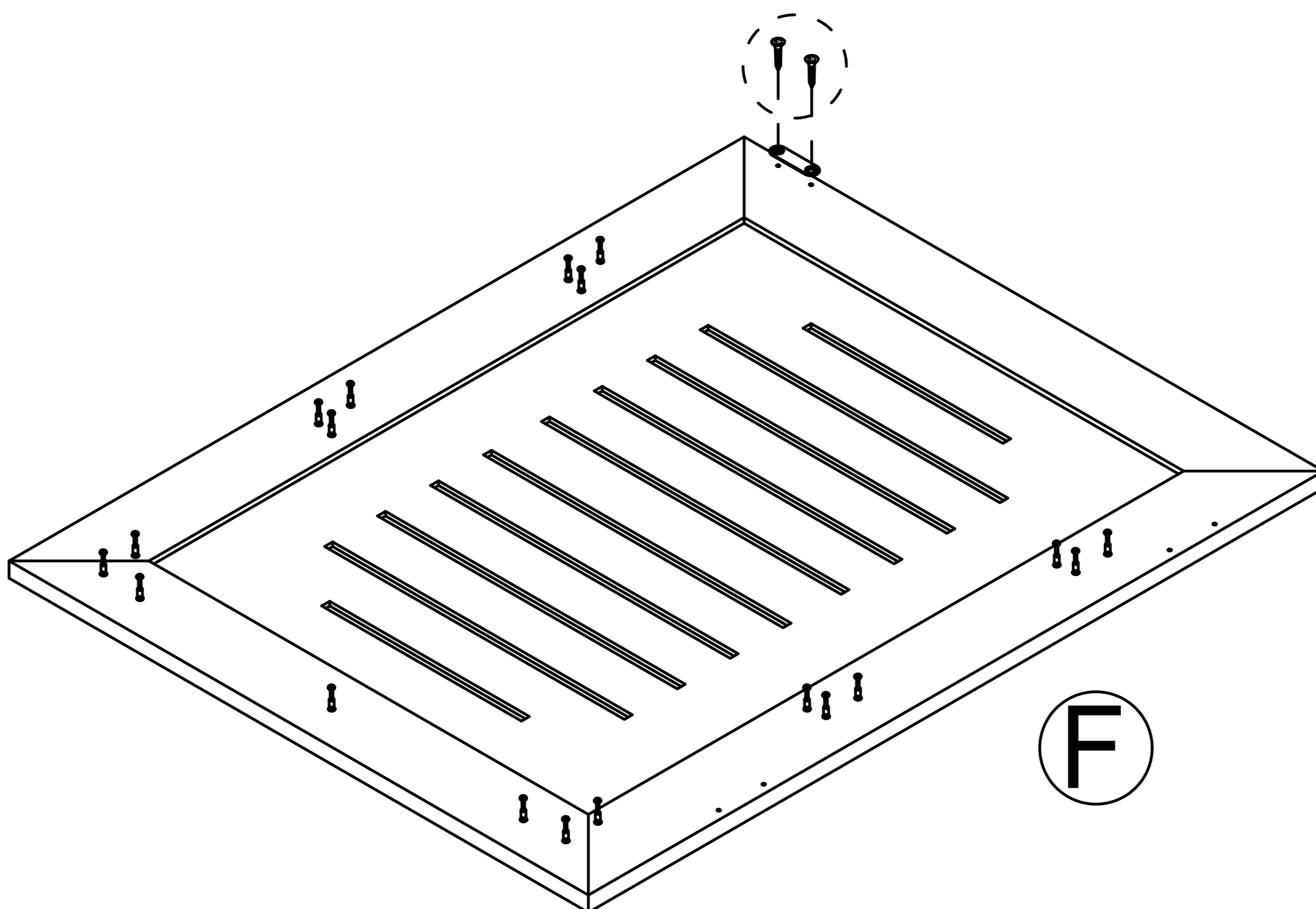
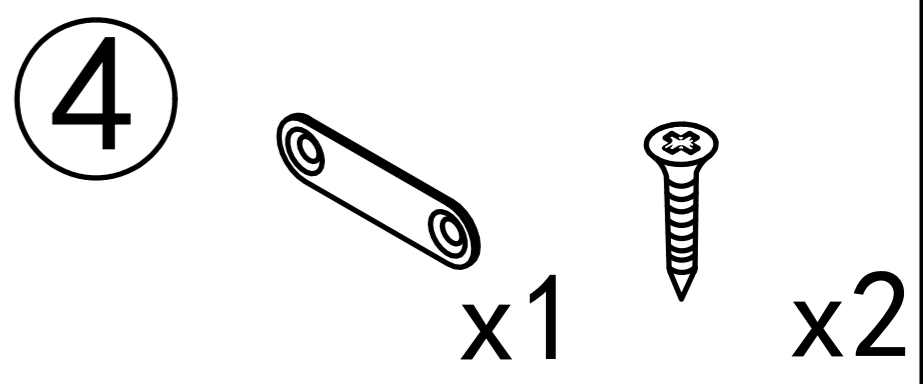
Step 7



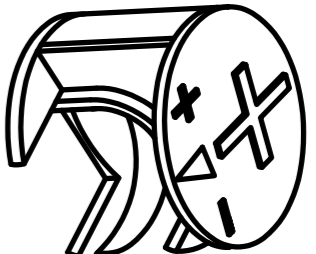
Step 8

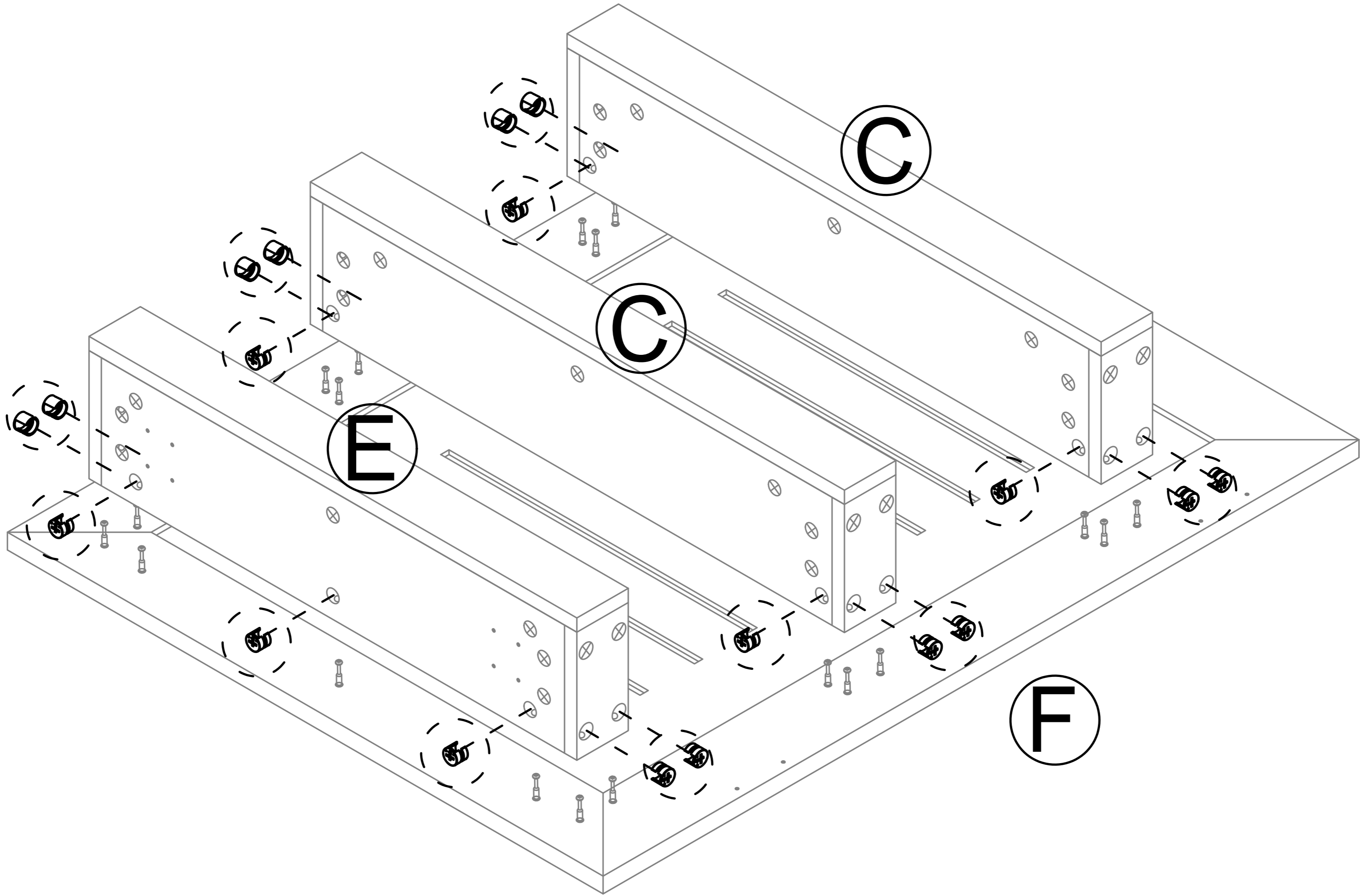


Step 9

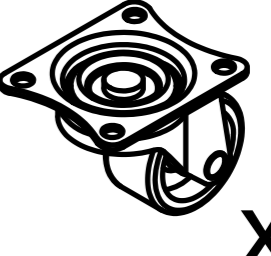
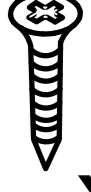


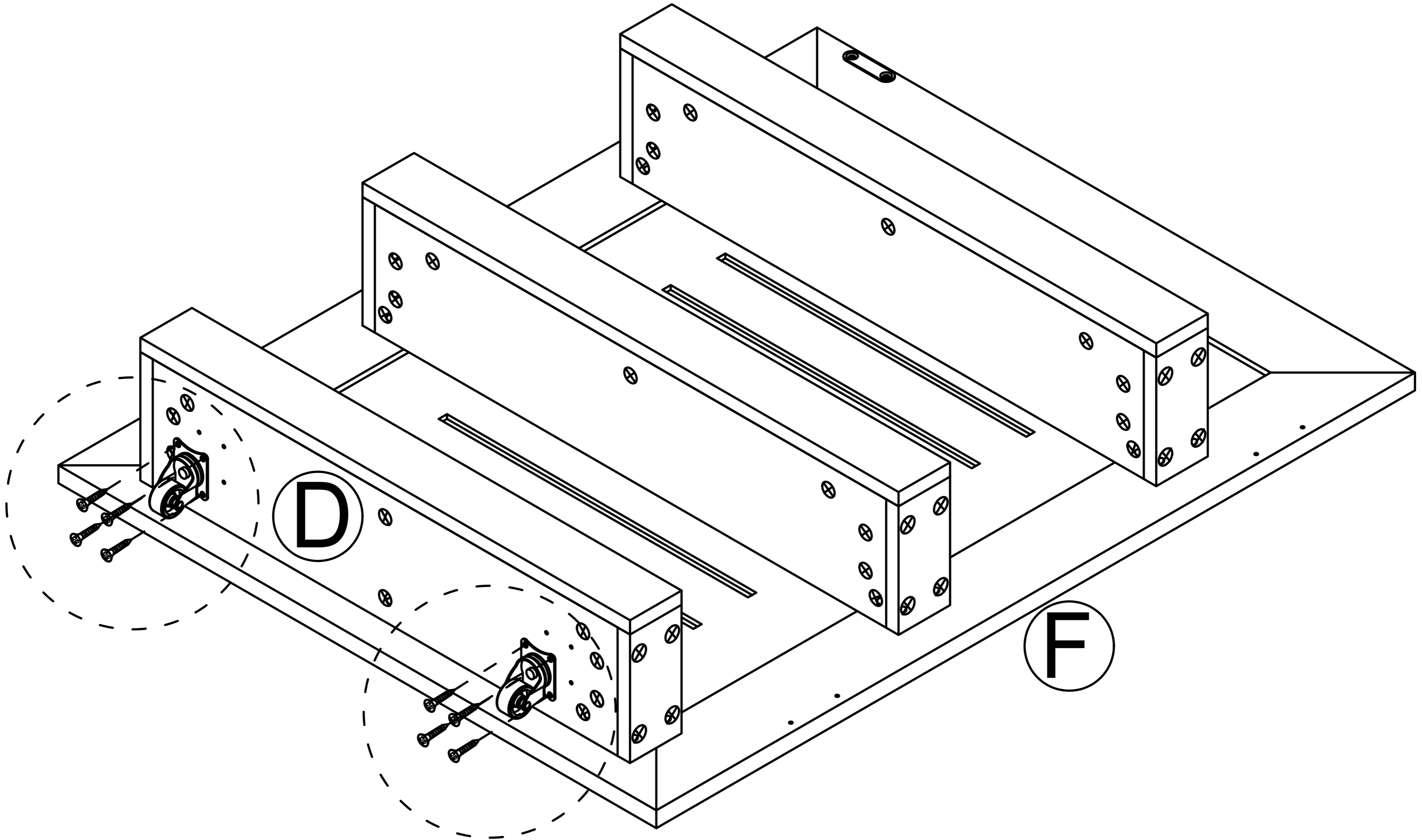
Step 10

2  x19

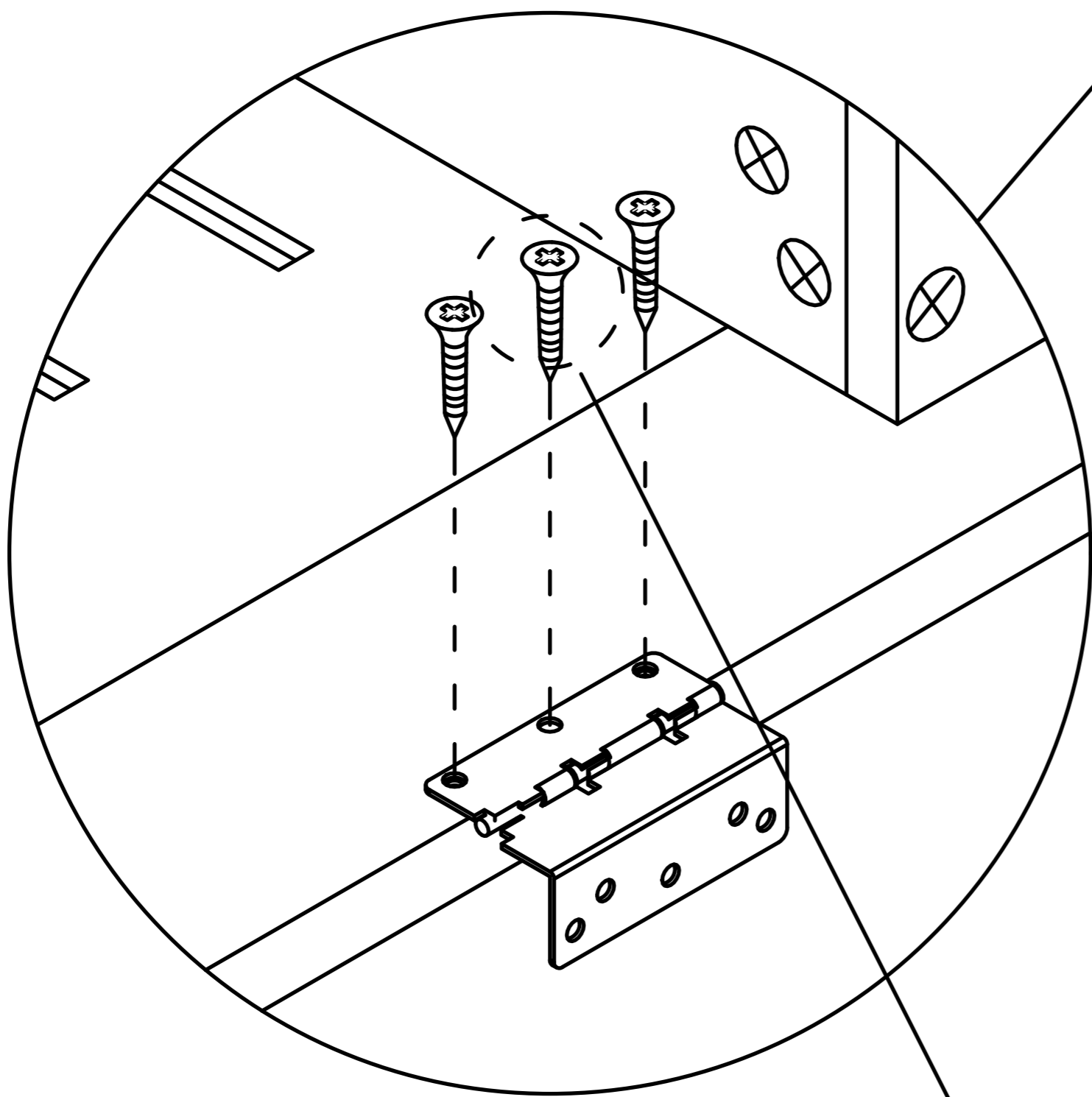
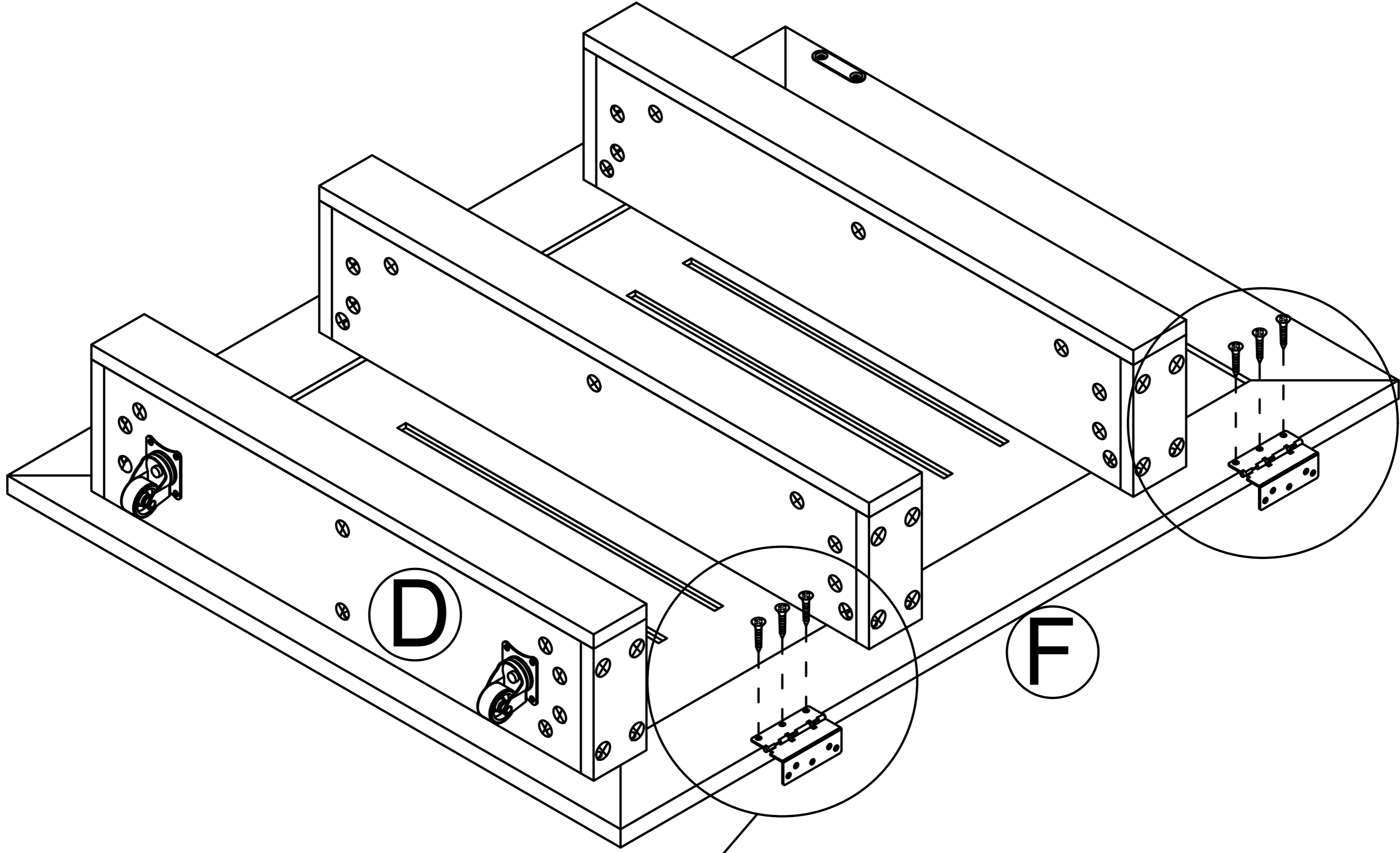
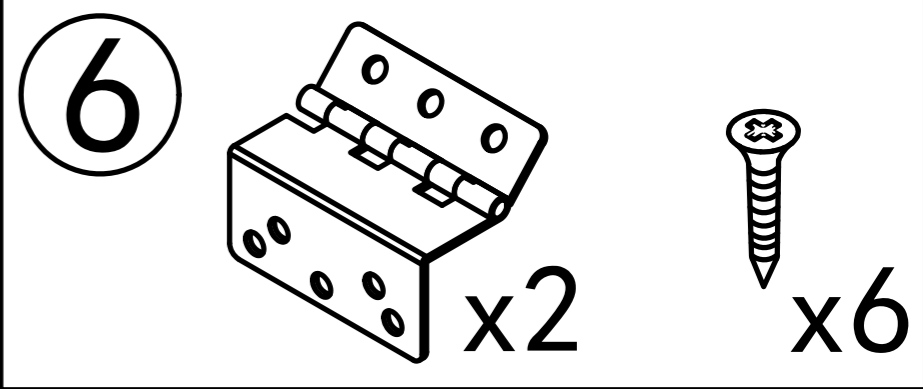


Step 11

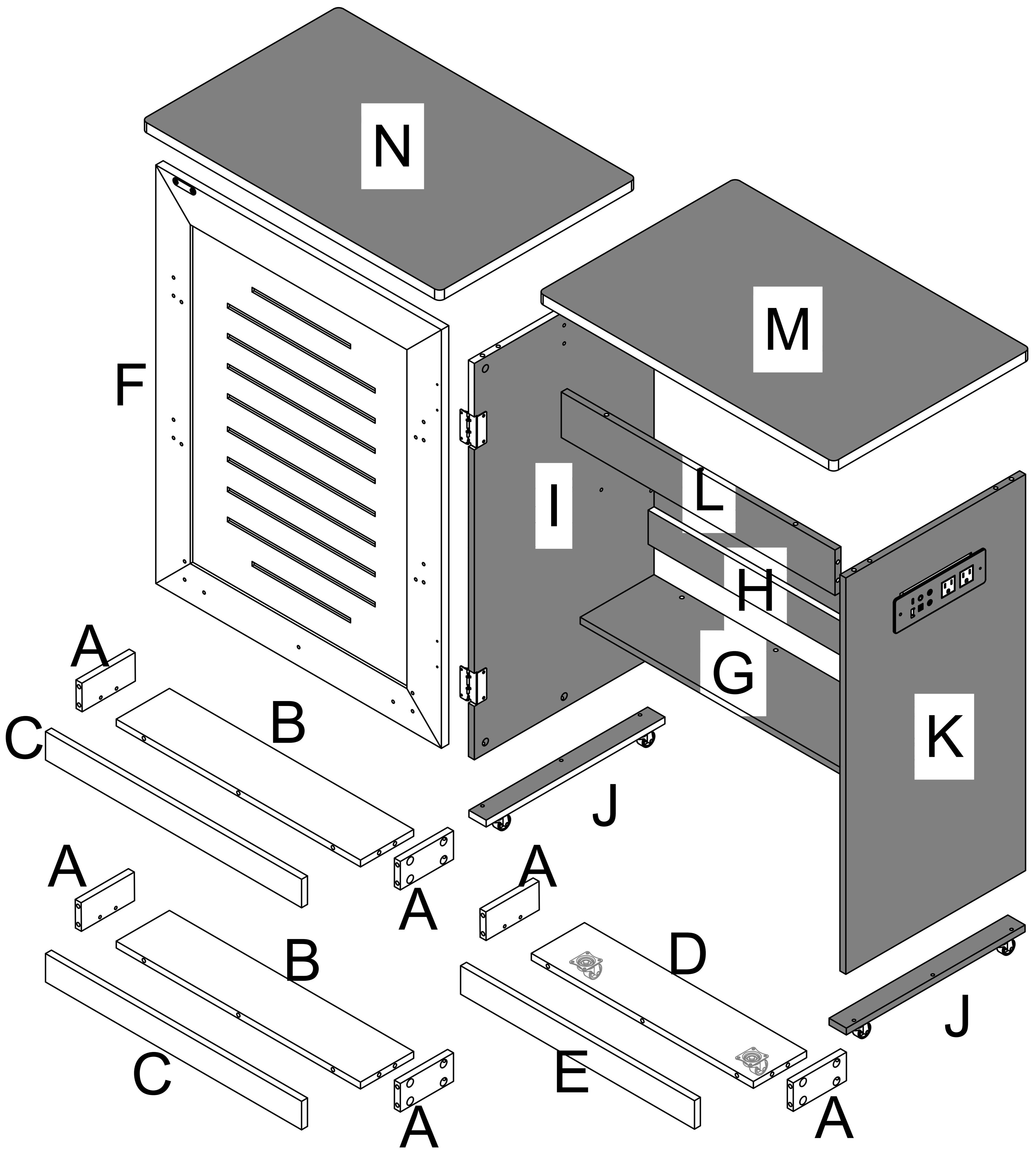
5  x2  x8



Step 12

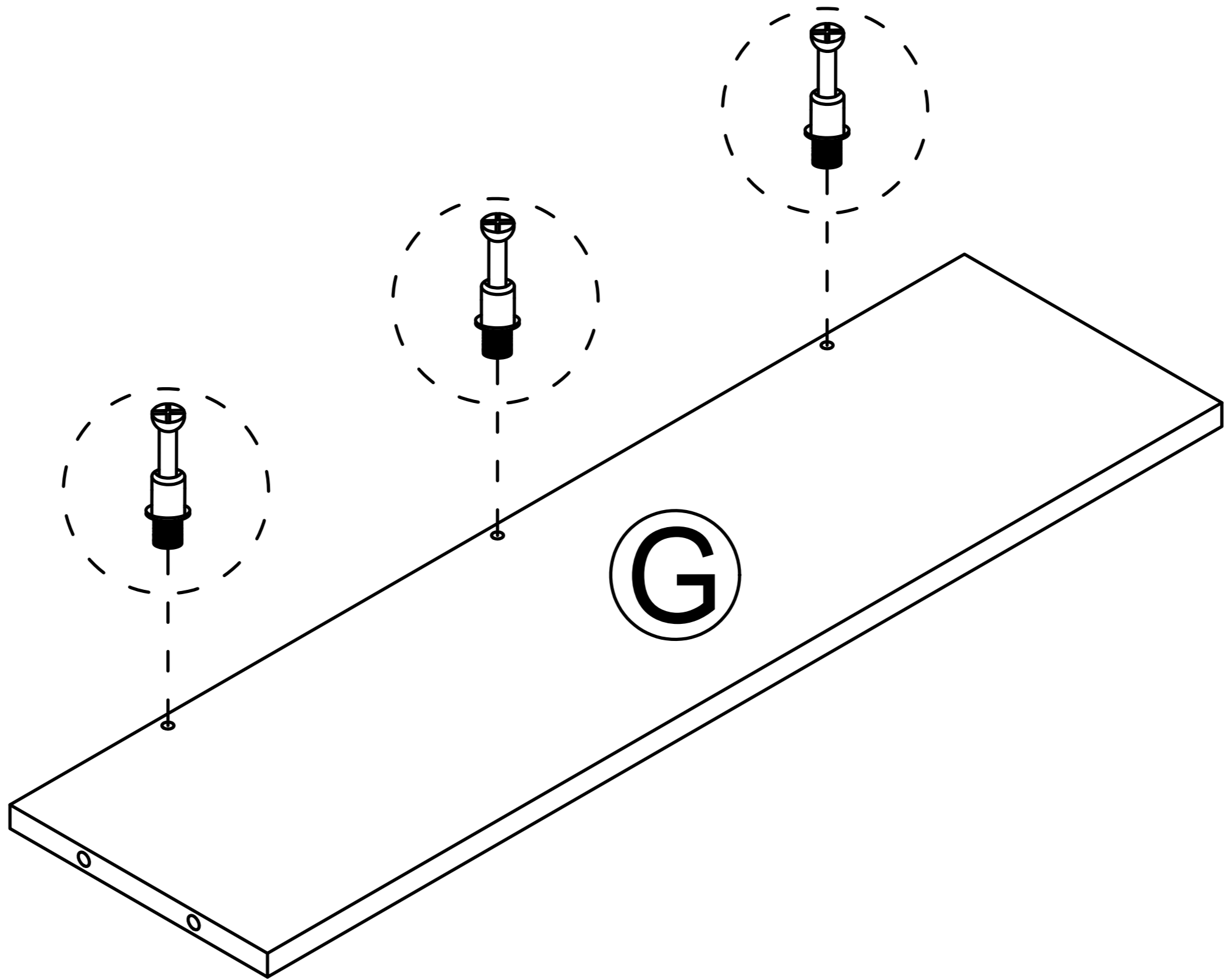
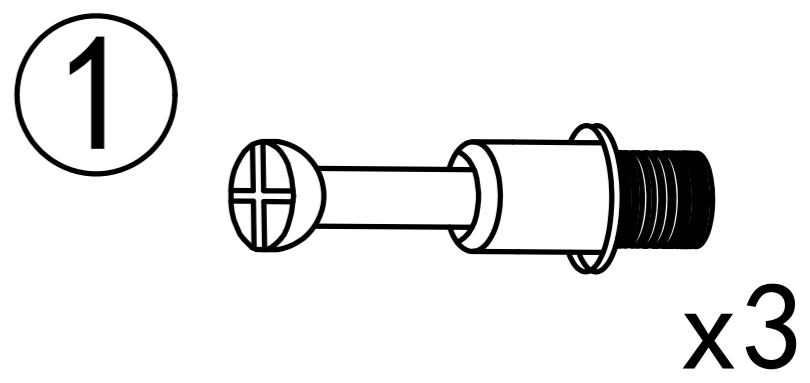


This hole is for strengthening fixed hole customers can choose to install according to their needs.

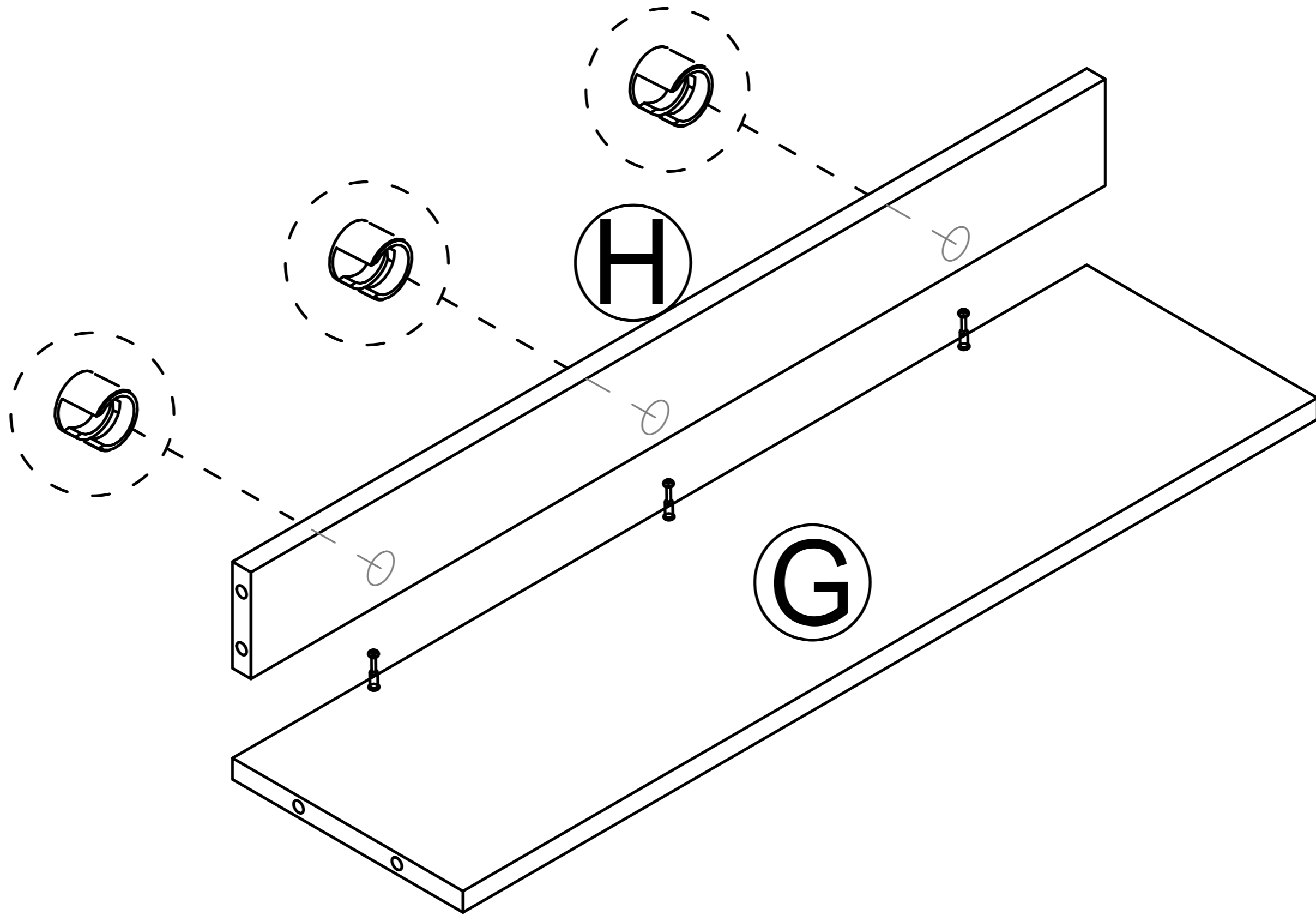
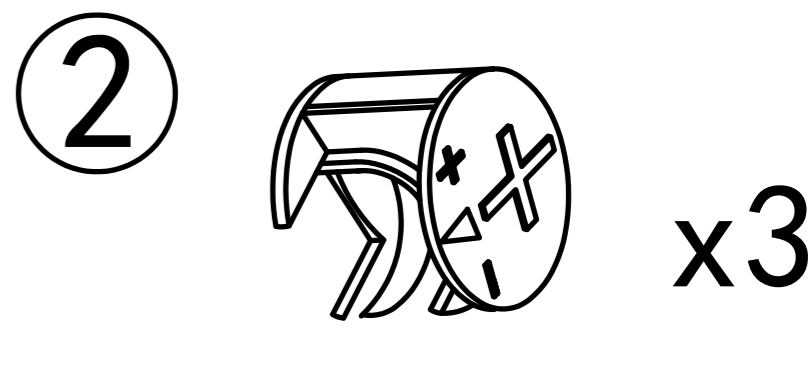


Product structure decomposition

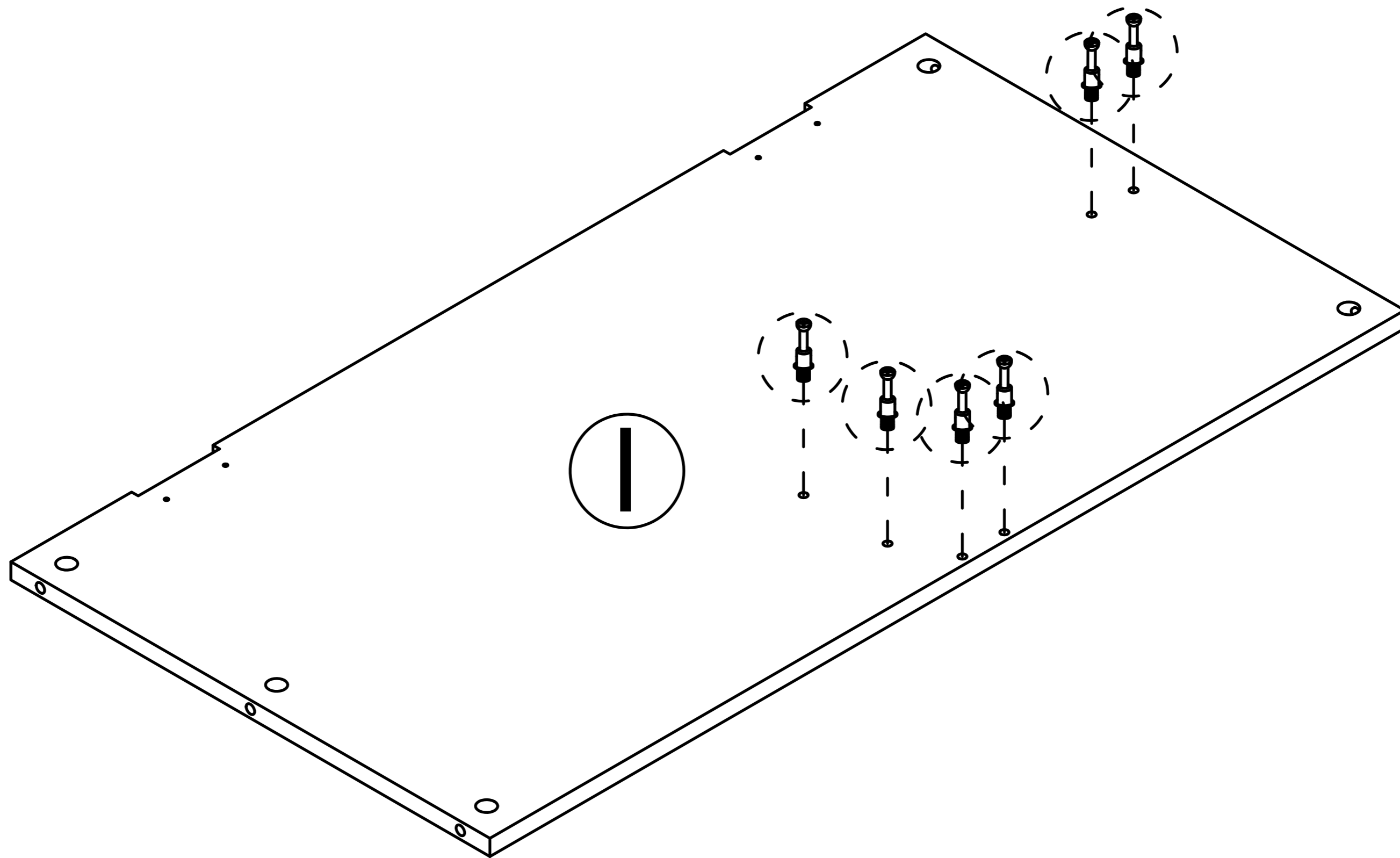
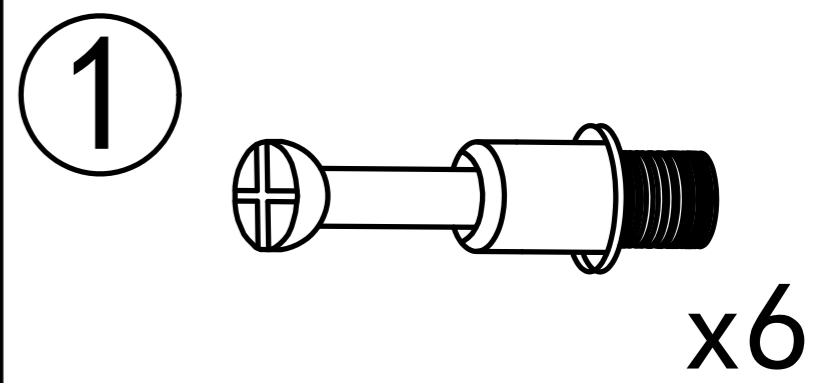
Step 13



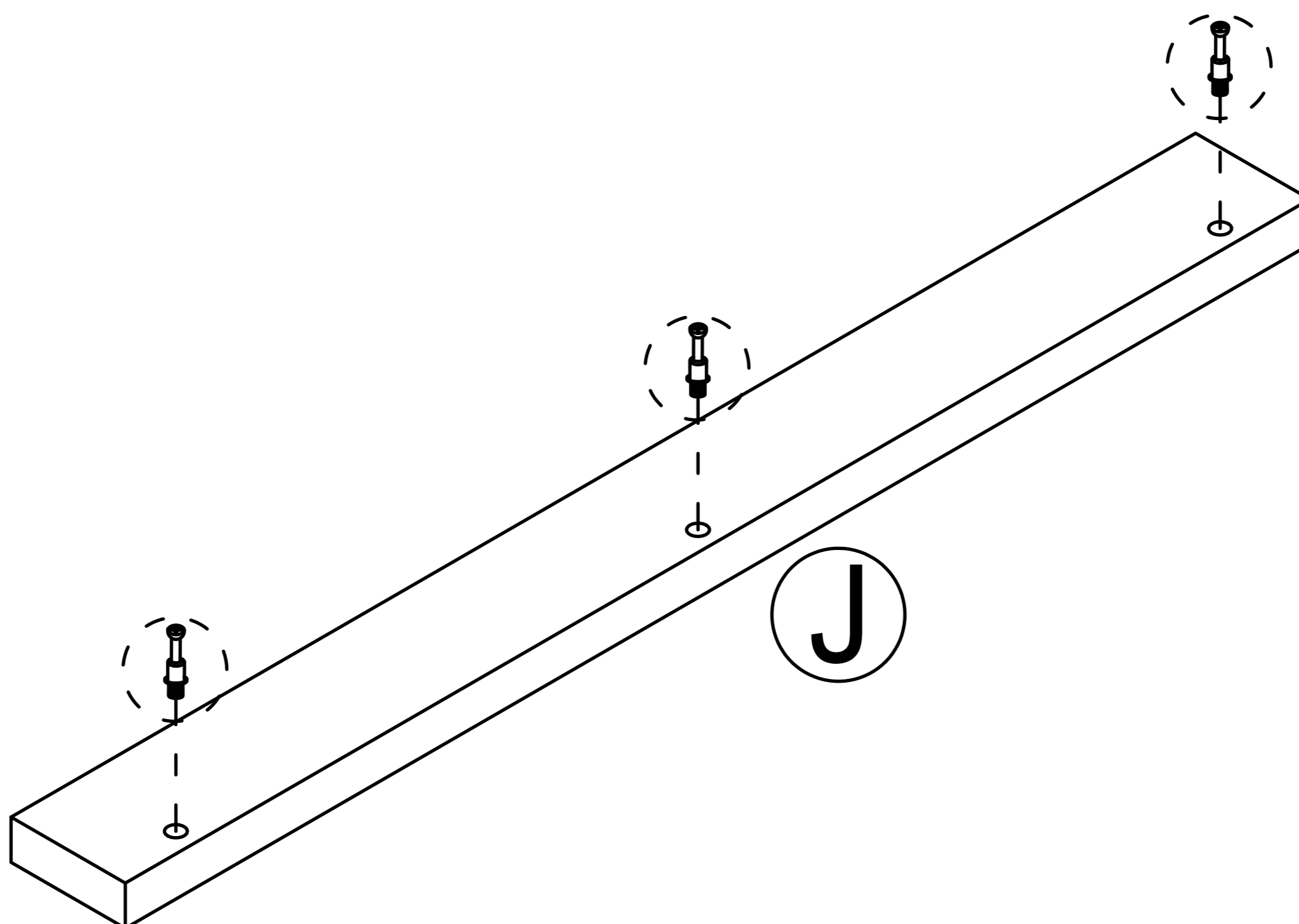
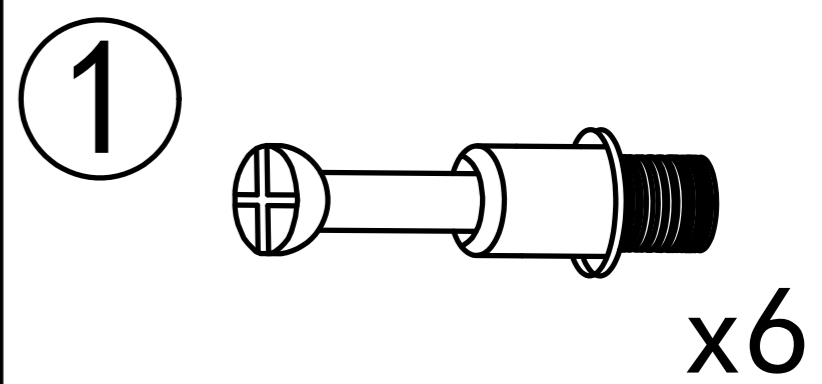
Step 14



Step 15



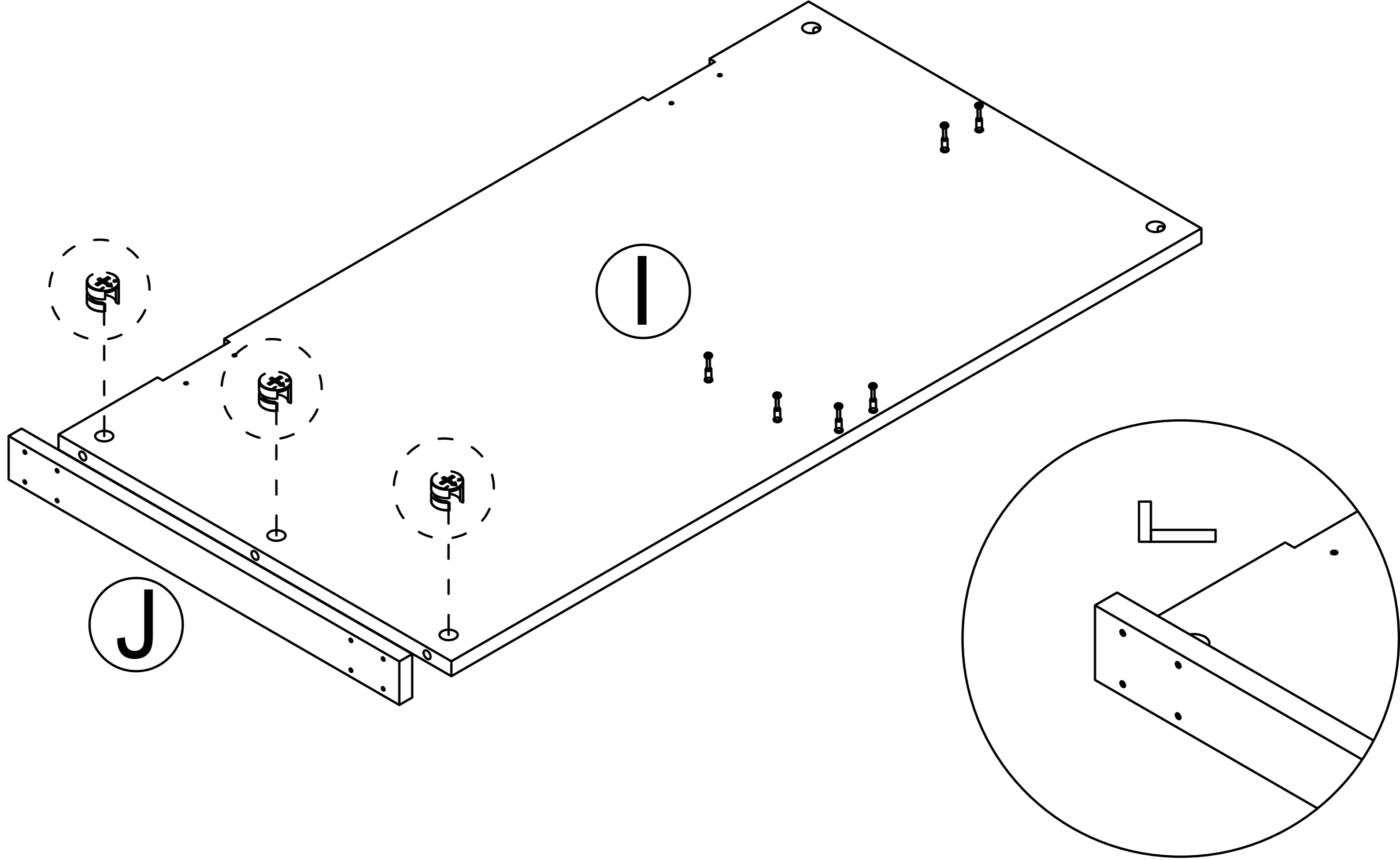
Step 16



Steps and objects x2

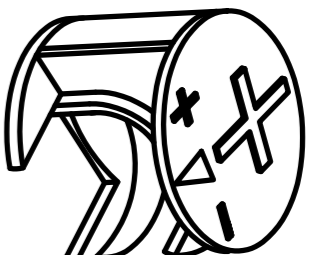
Step 17

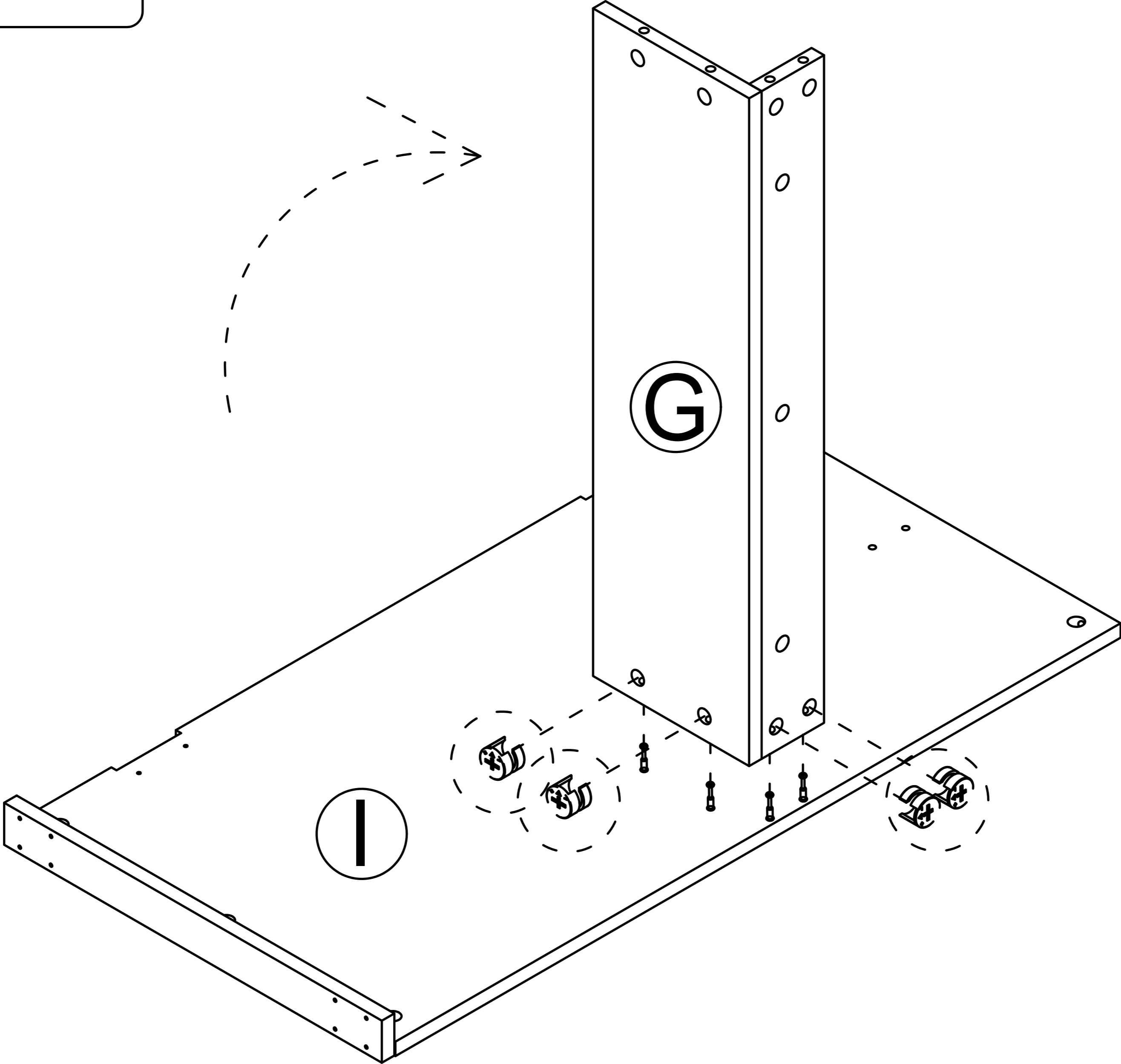
2  x3



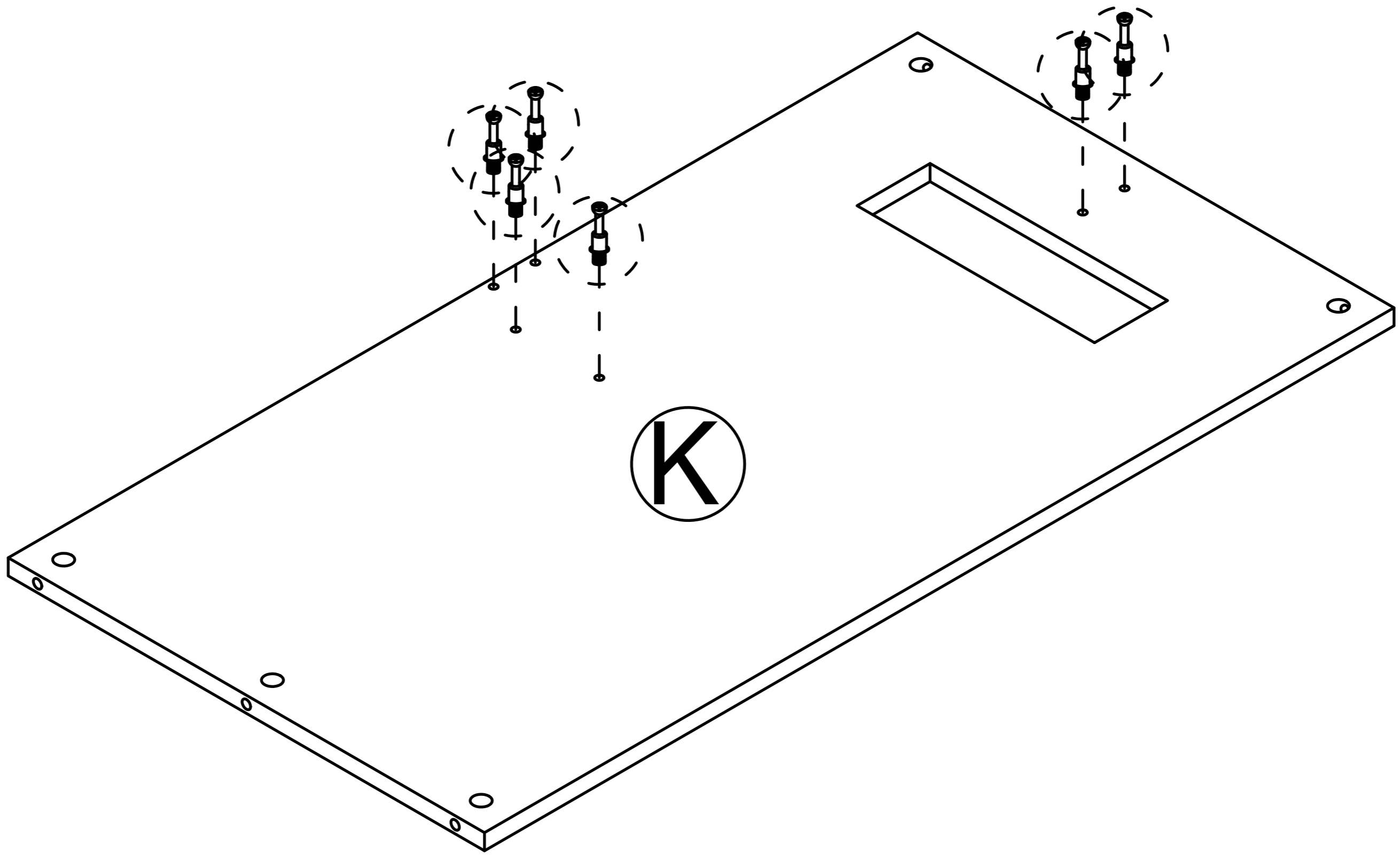
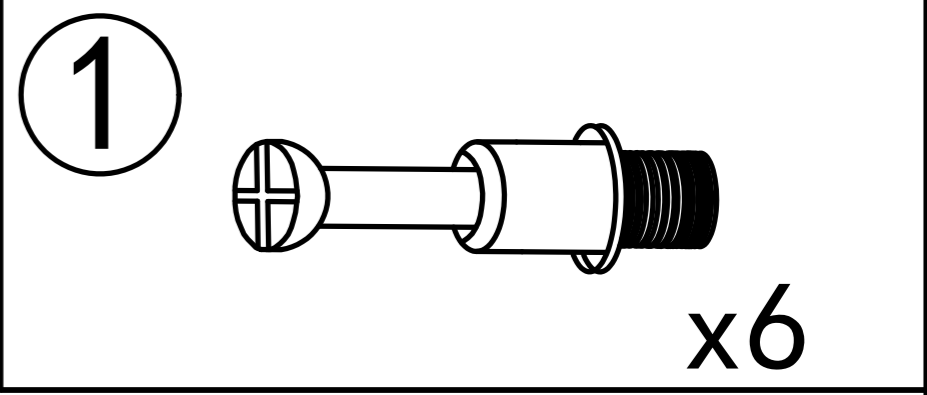
Pay attention to board orientation during installation

Step 18

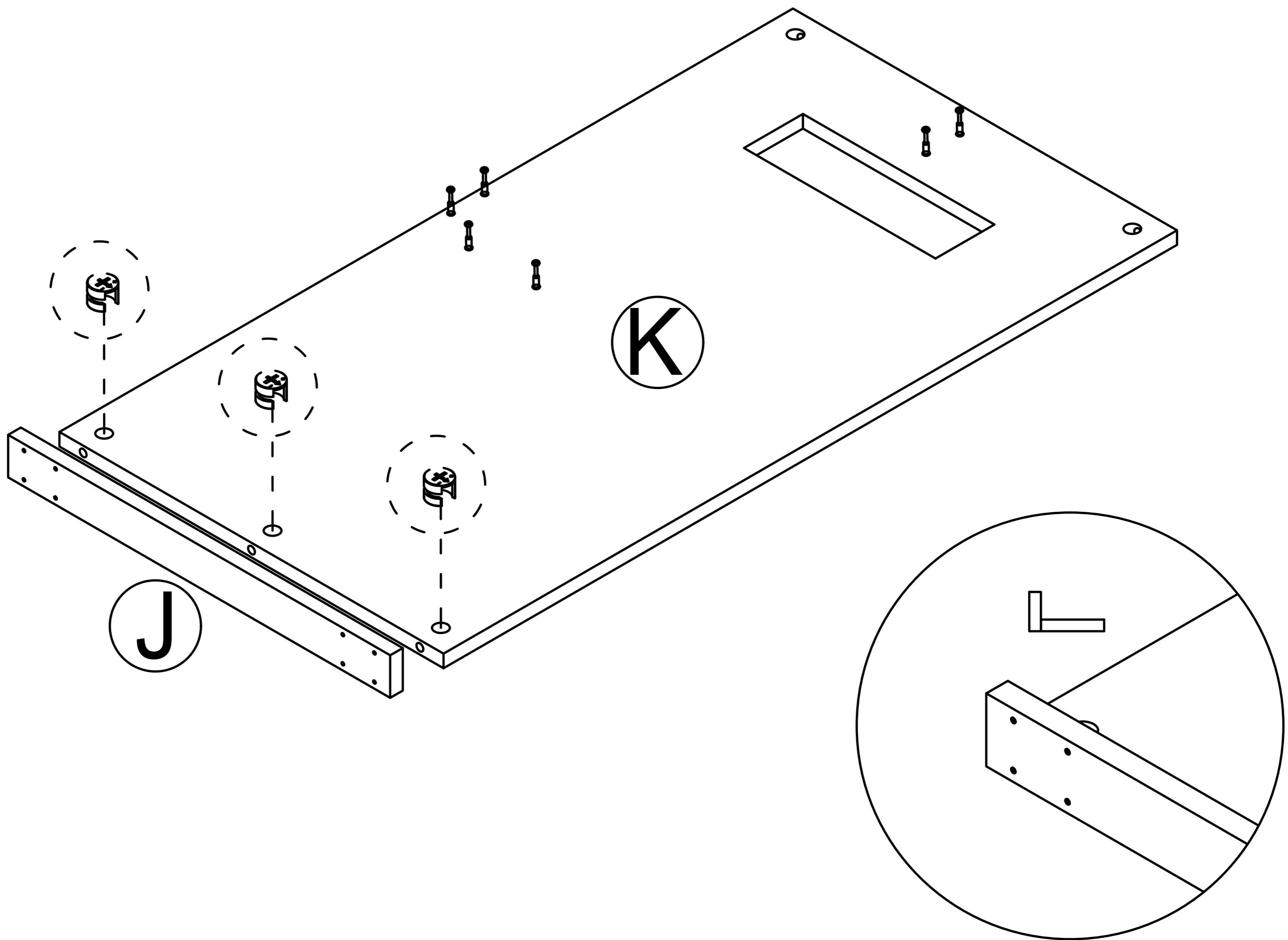
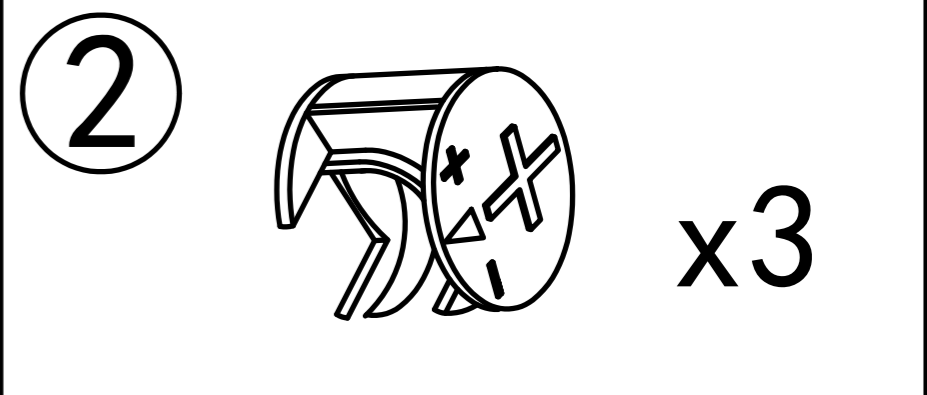
2  x4



Step 19

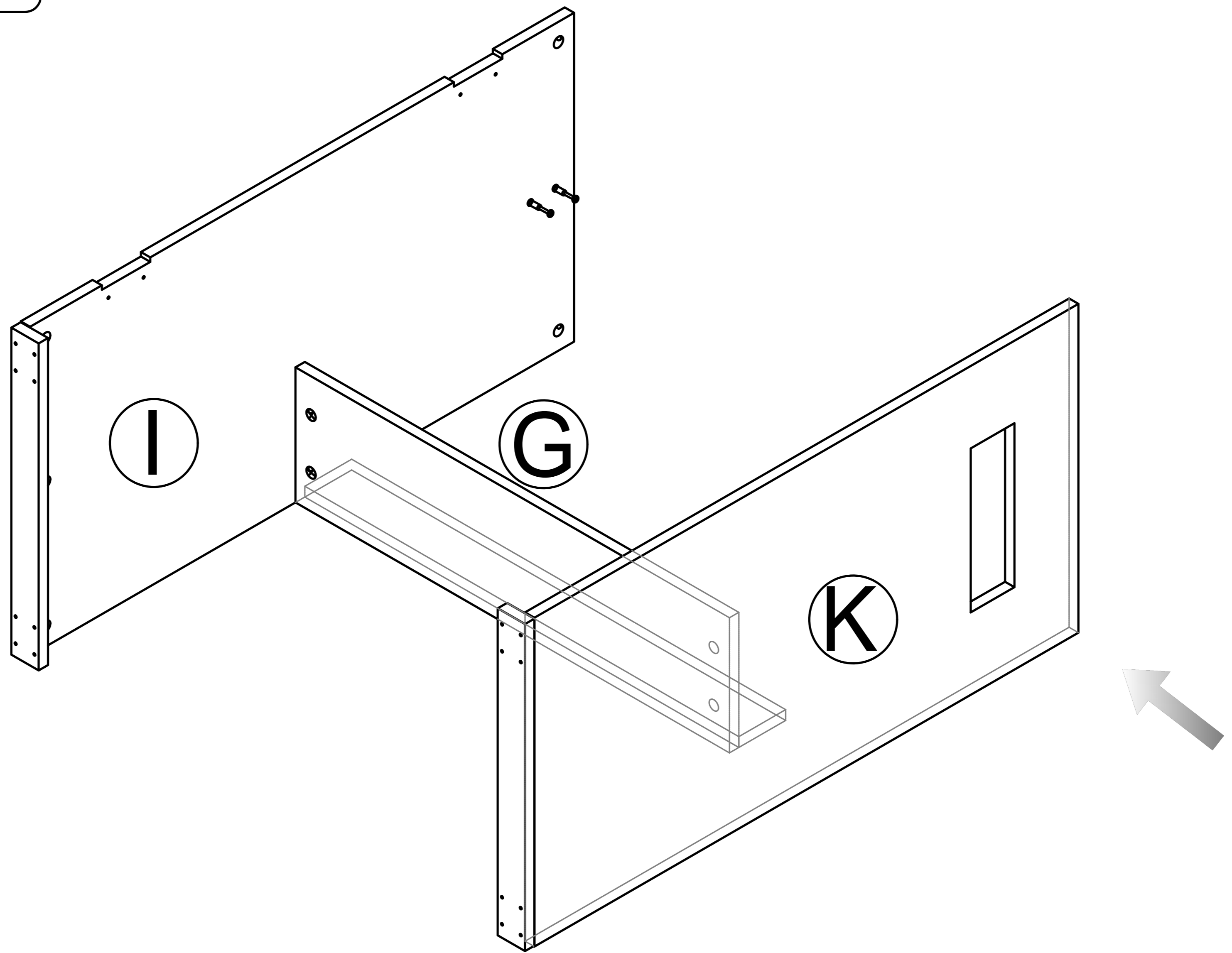


Step 20



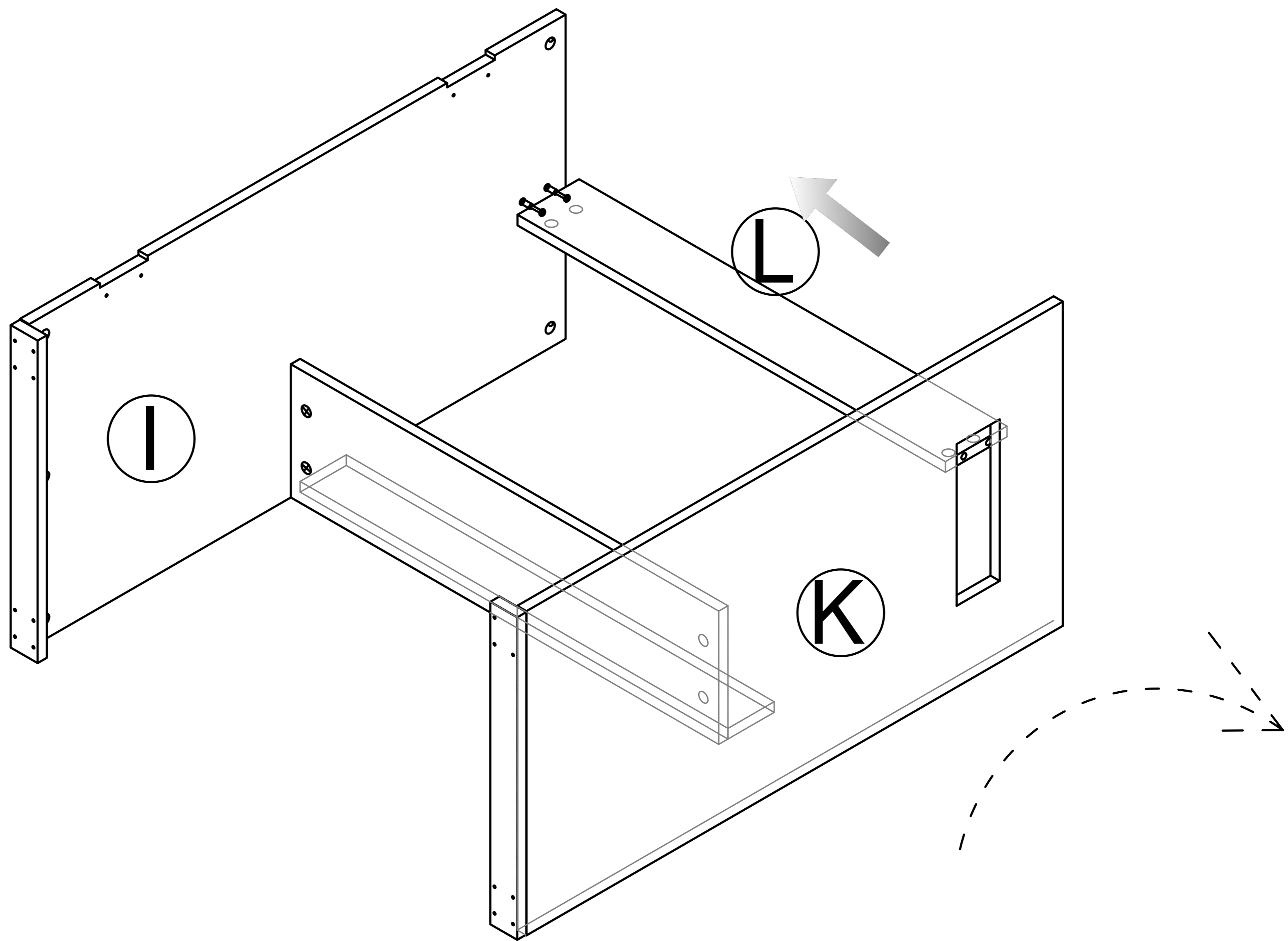
Pay attention to board orientation during installation

Step 21



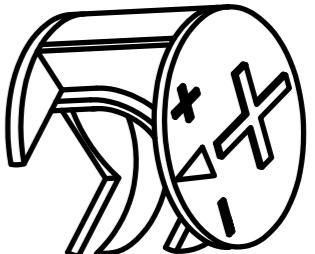
Insert the K board into the G board first.

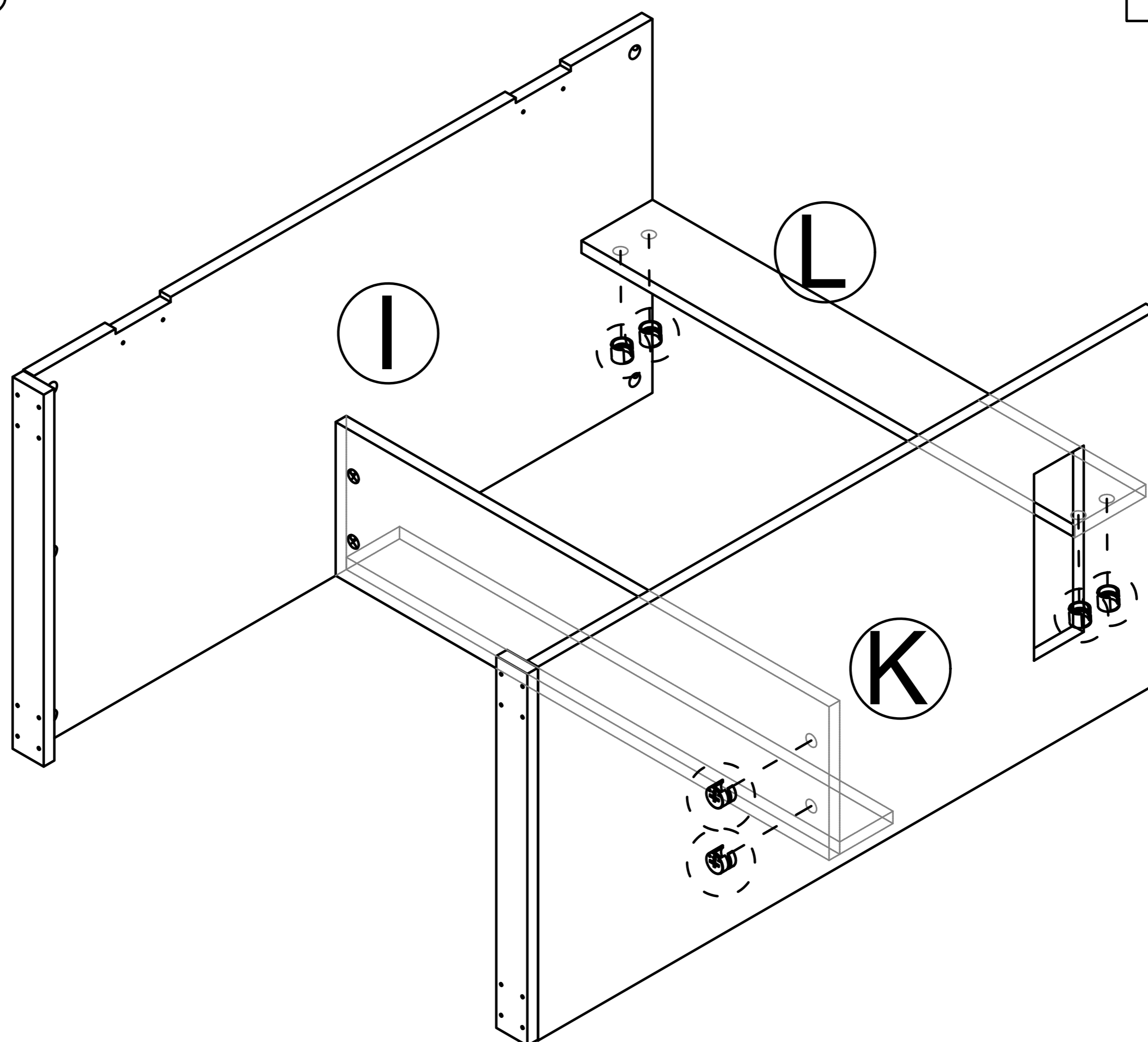
Step 22



Then open the K board at a certain angle, and insert the L board between the I board and the K board.

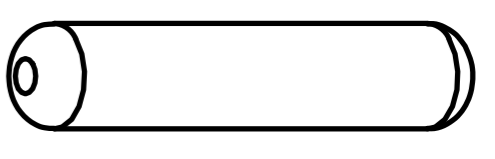
Step 23

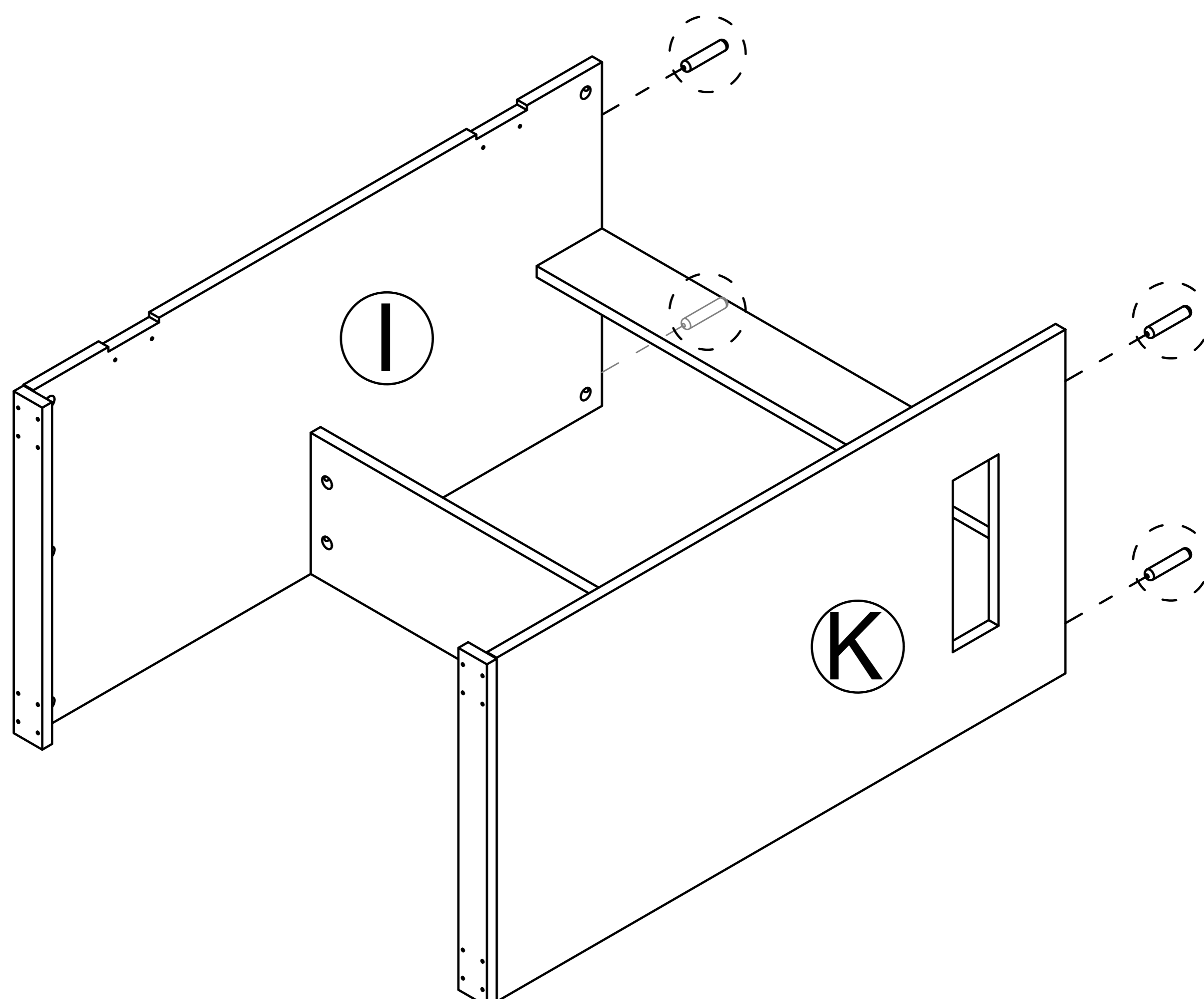
②  x6



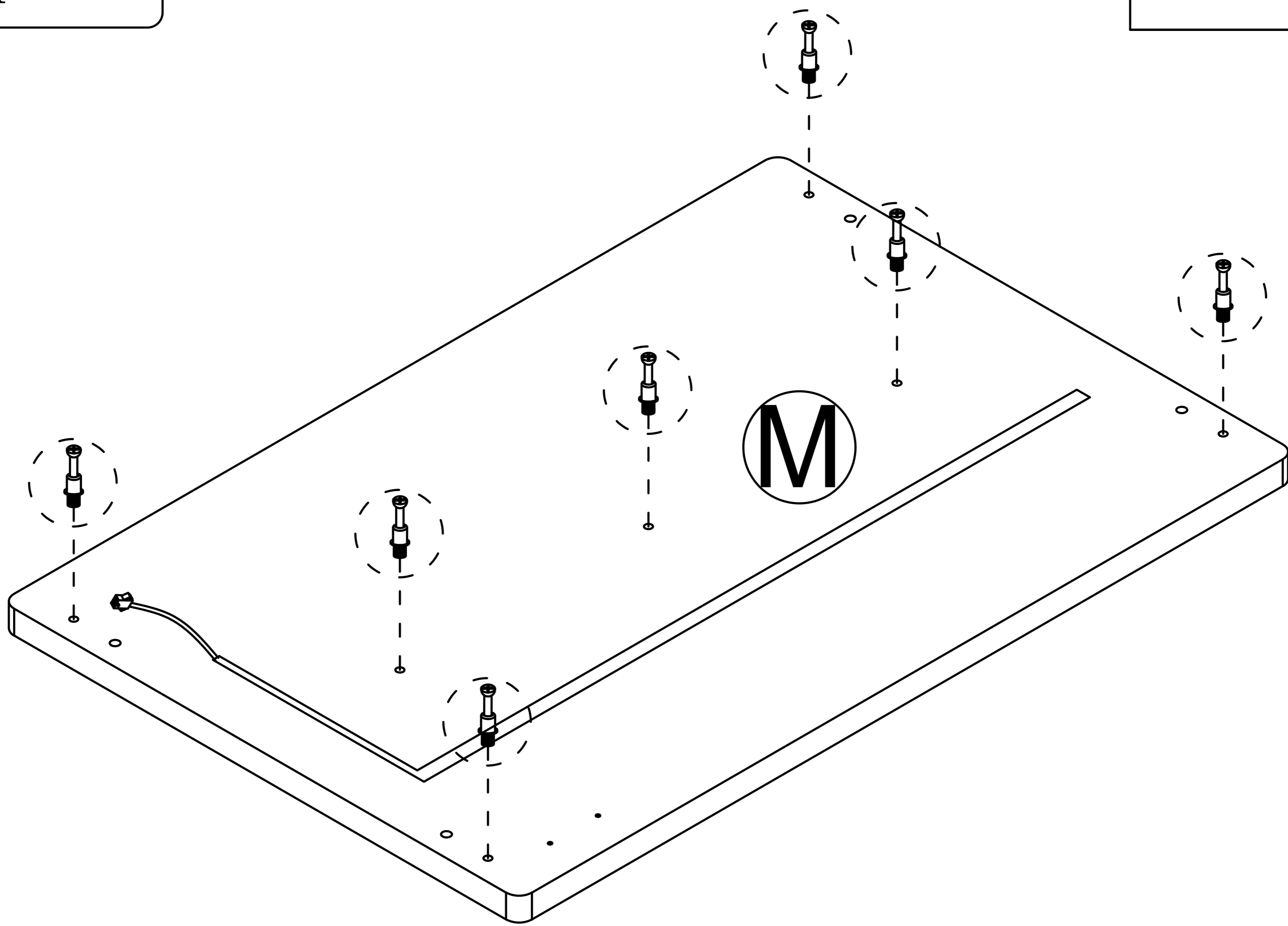
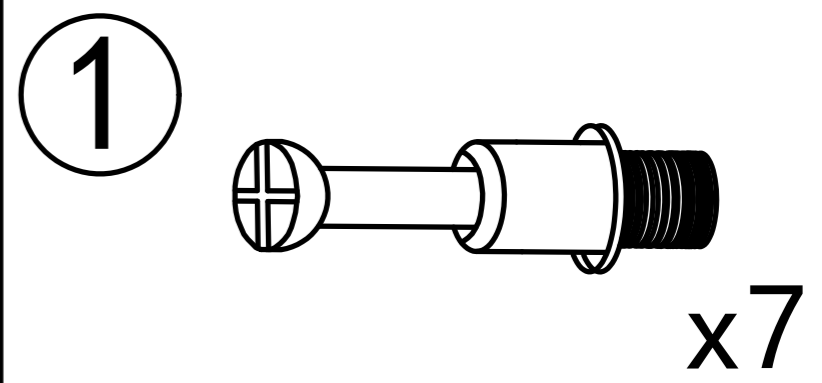
Then tighten the nut

Step 24

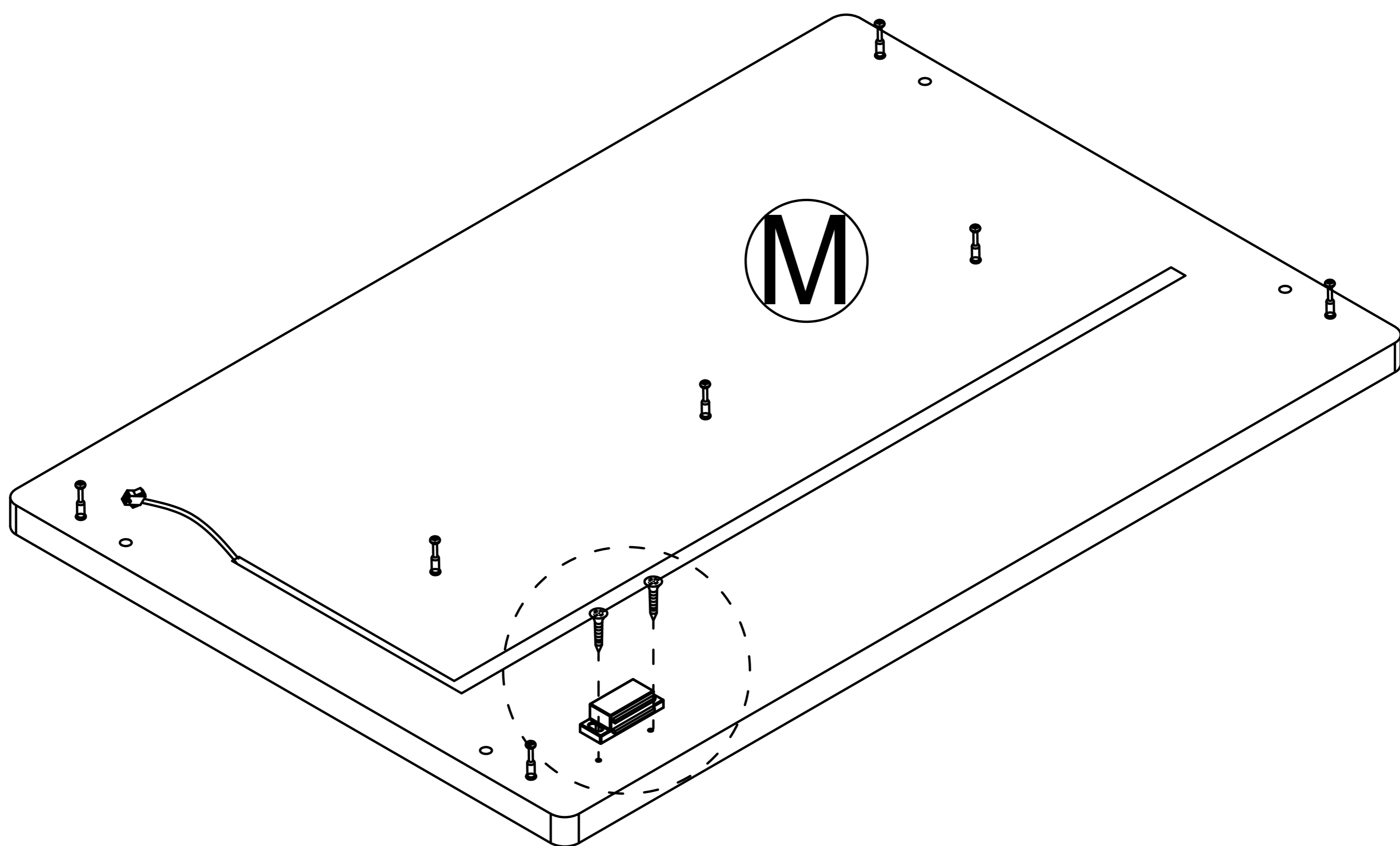
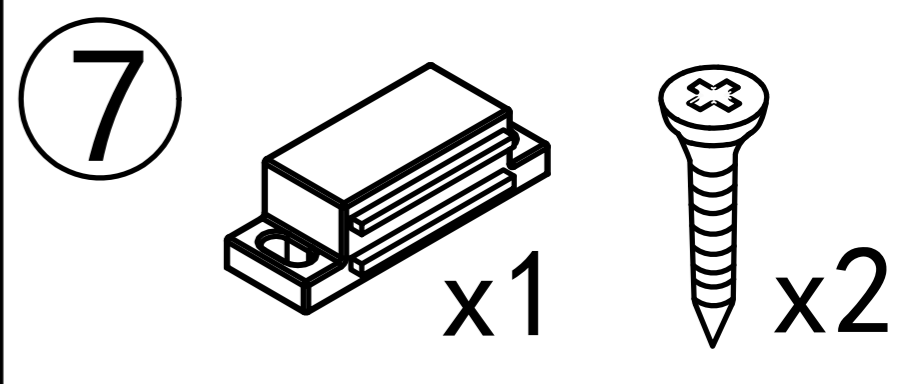
③  x4



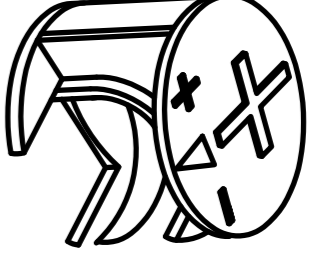
Step 25

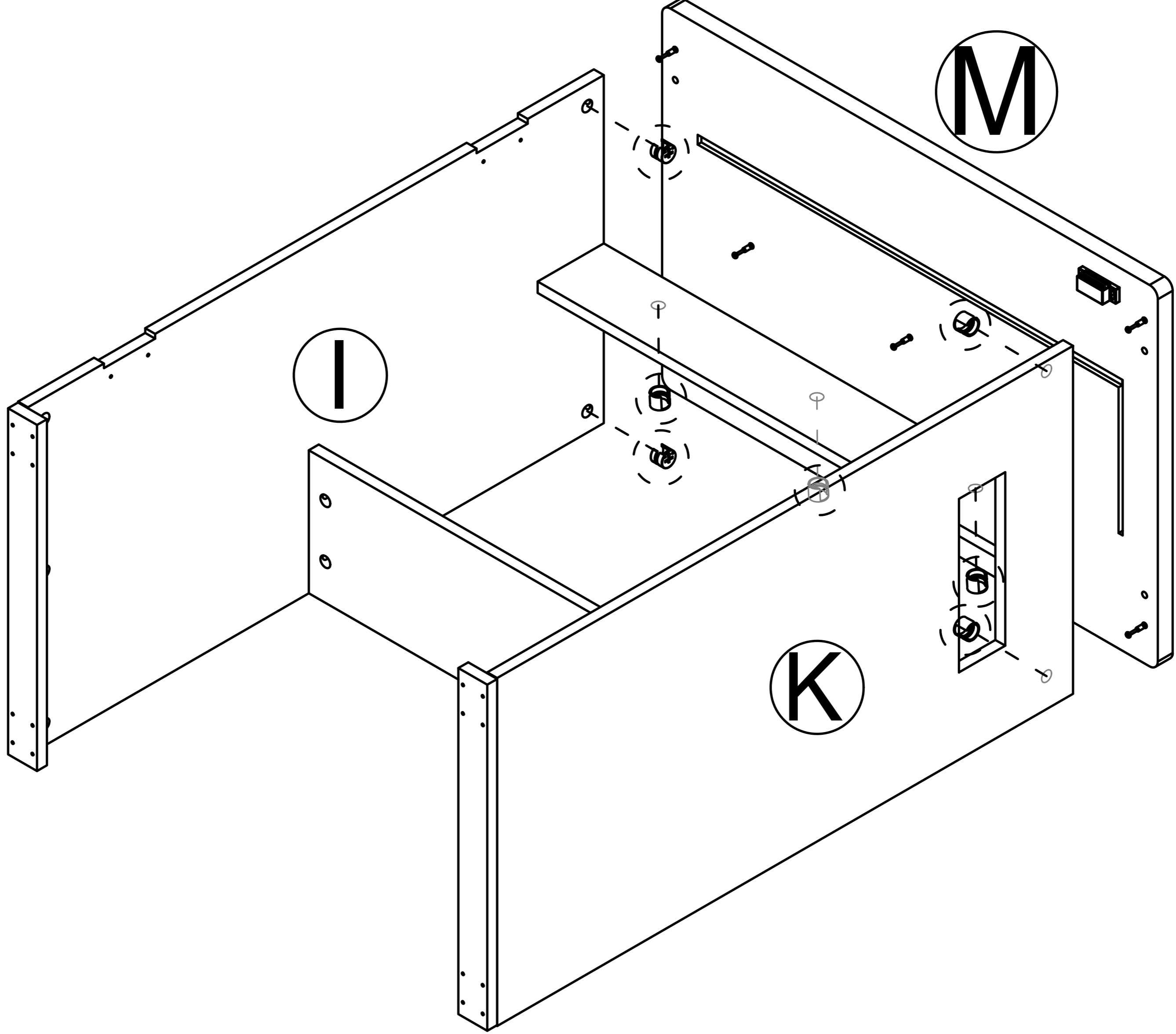


Step 26

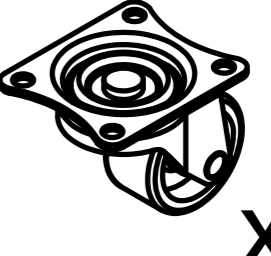



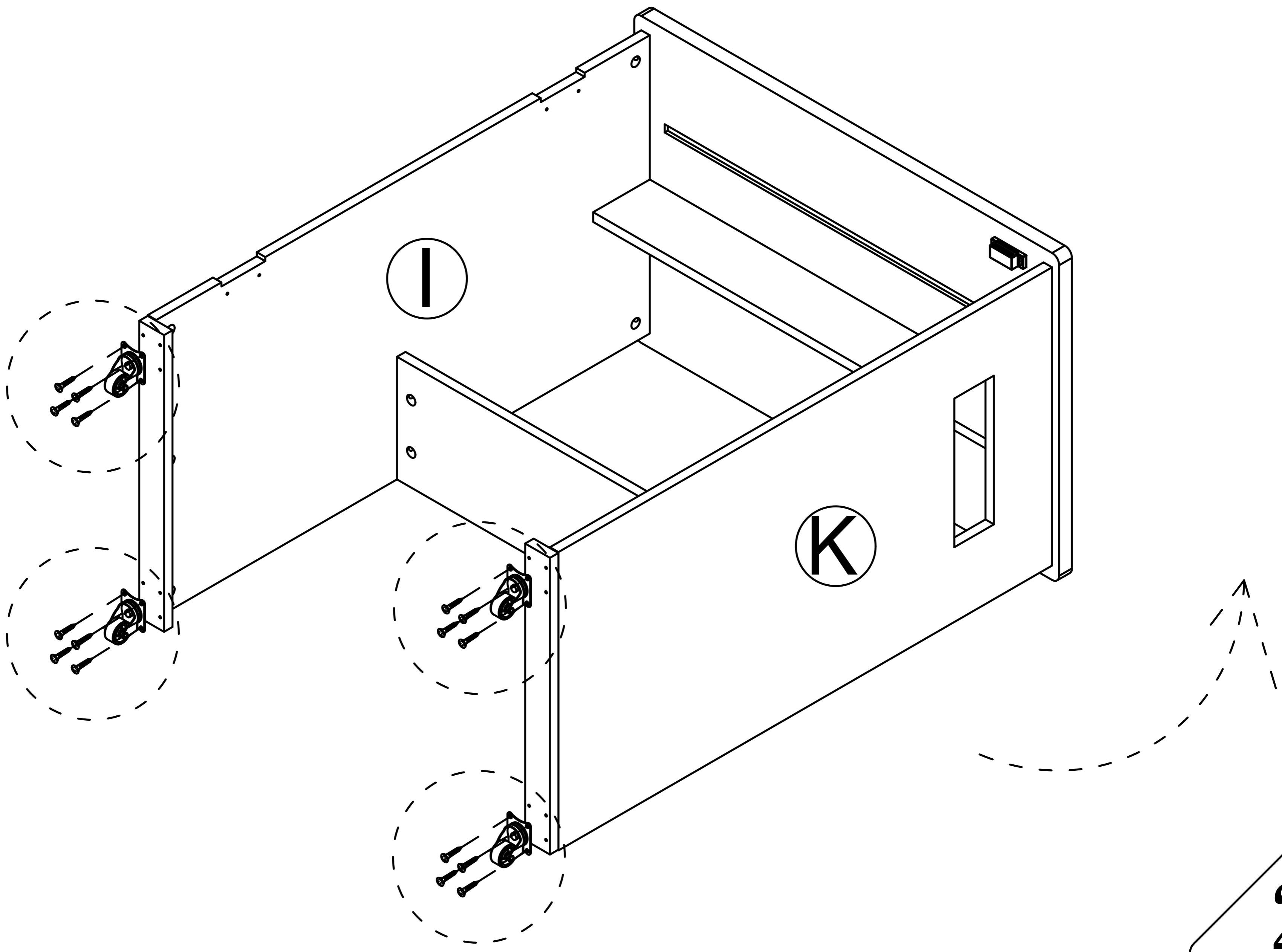
Step 27

②  x7

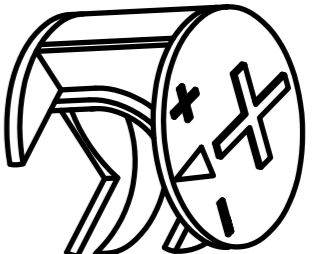


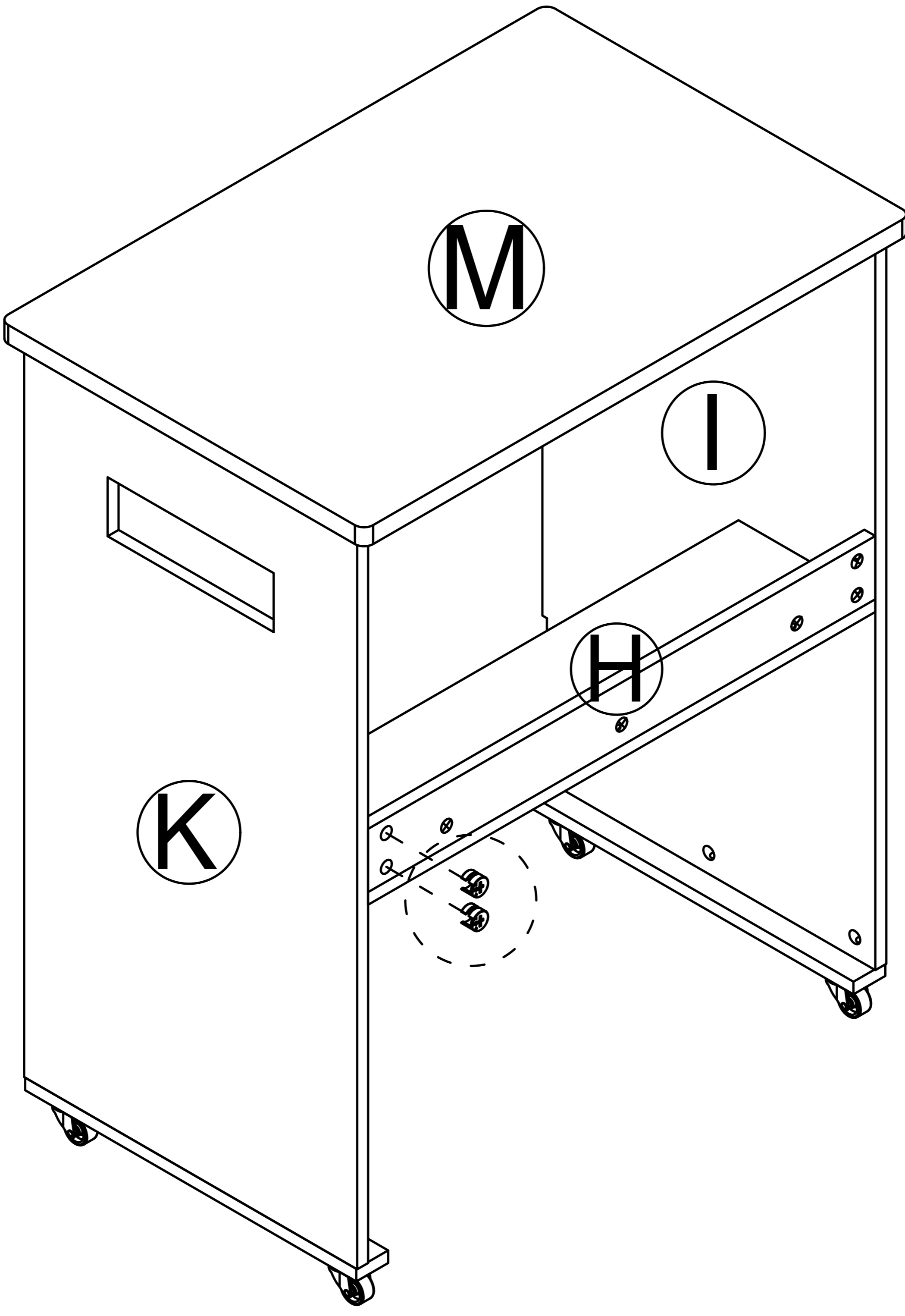
Step 28

⑤  x4  x16

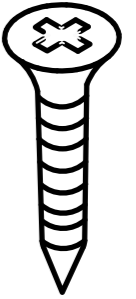


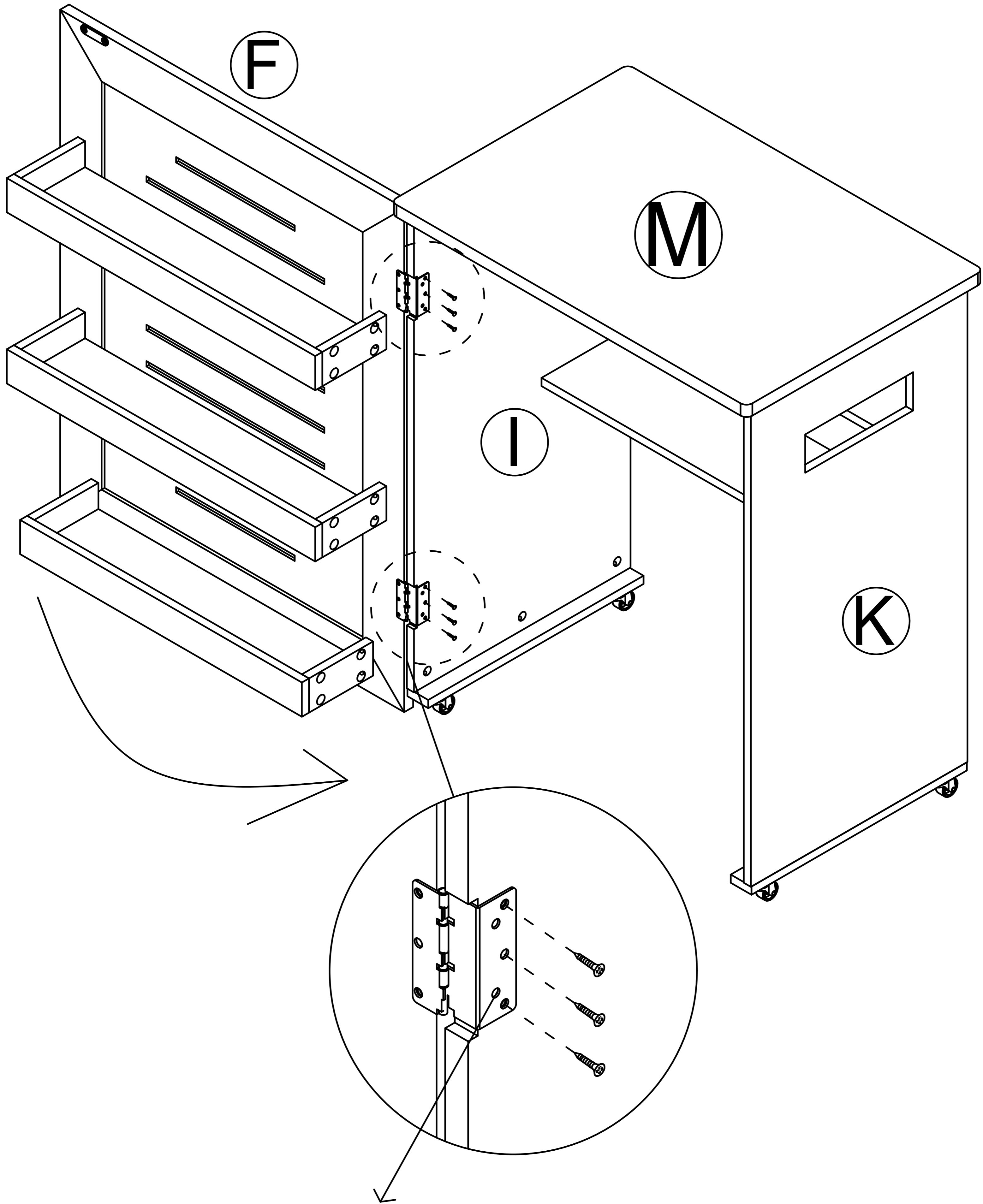
Step 29

2  x2



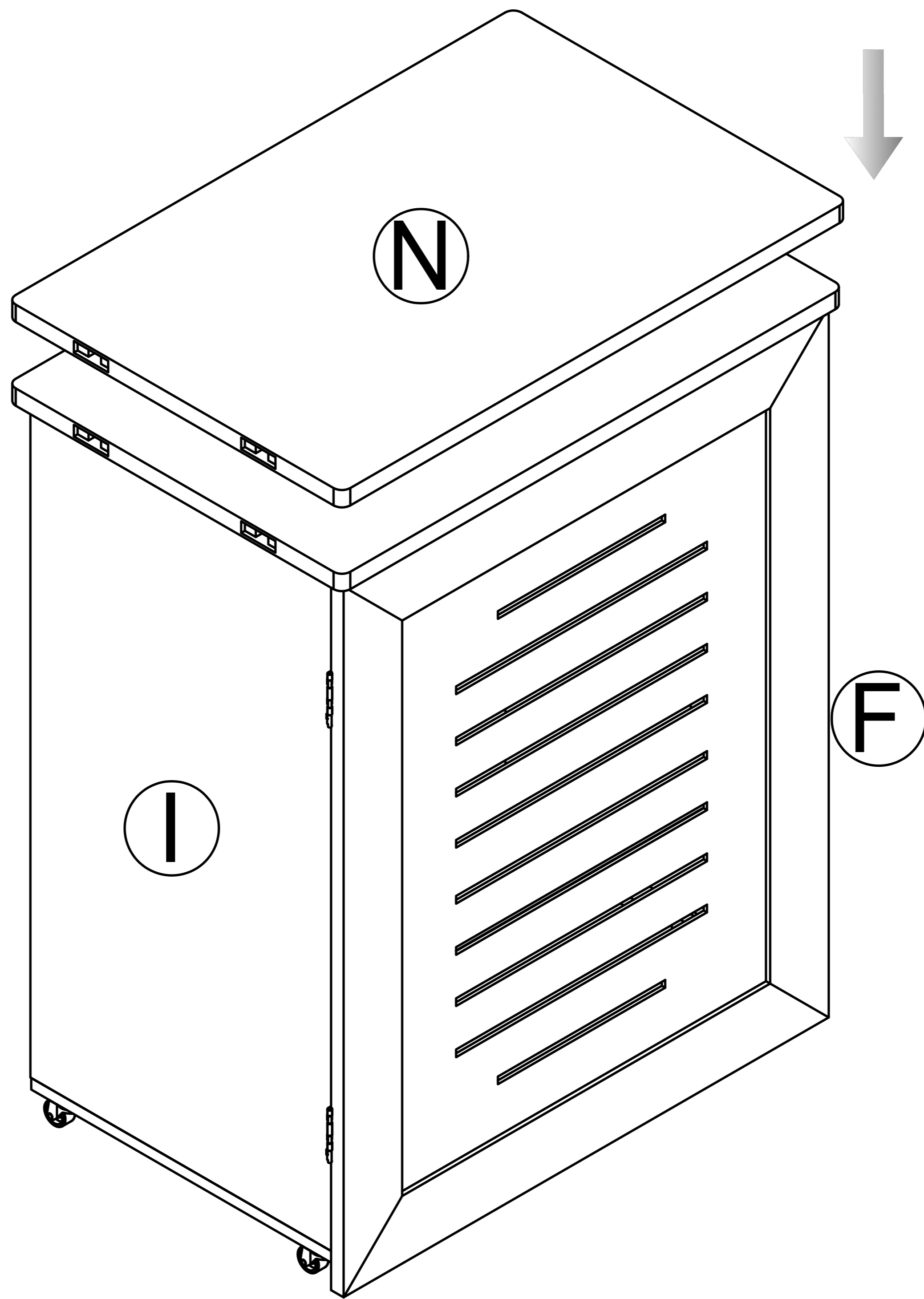
Step 30

6  x6



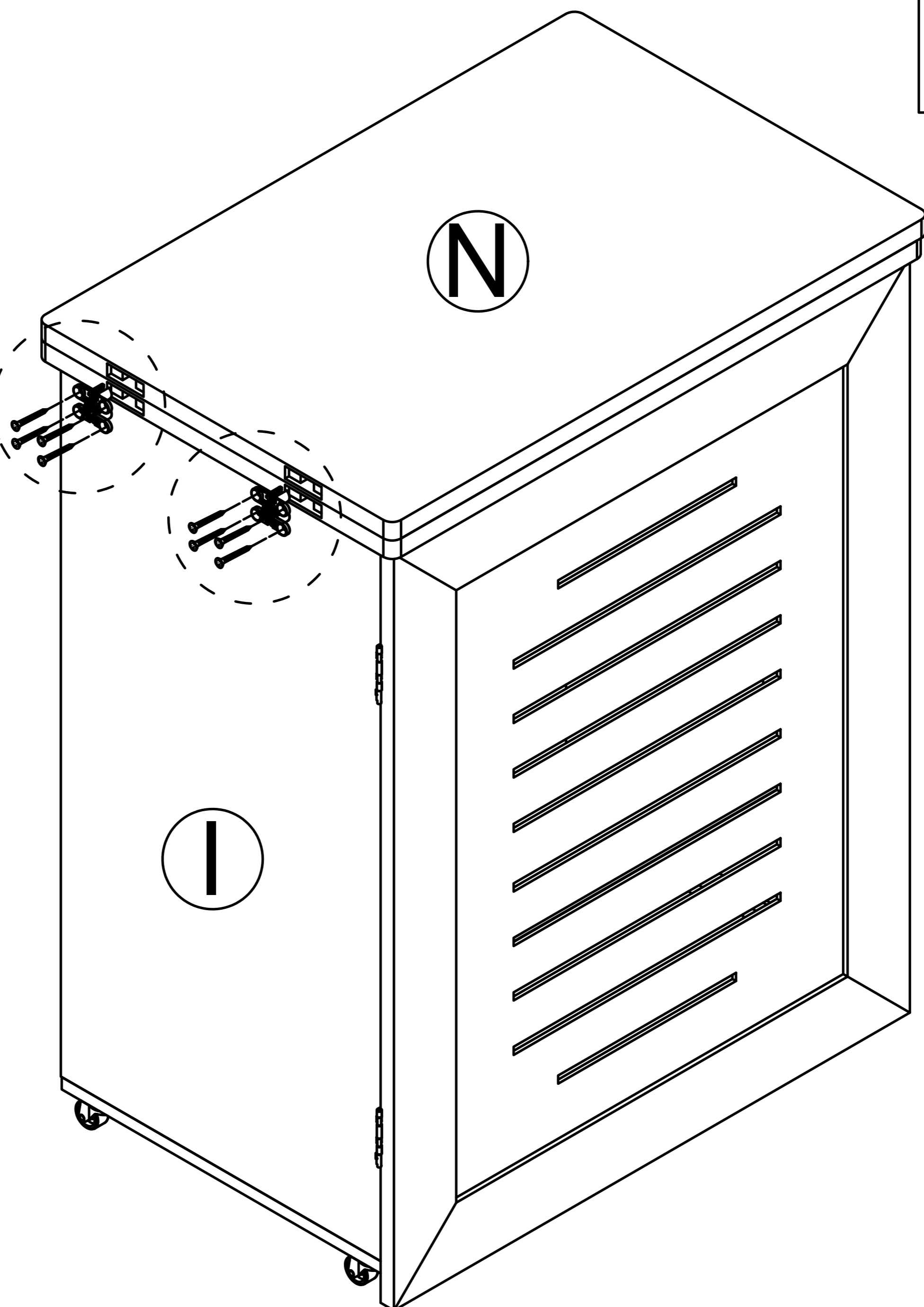
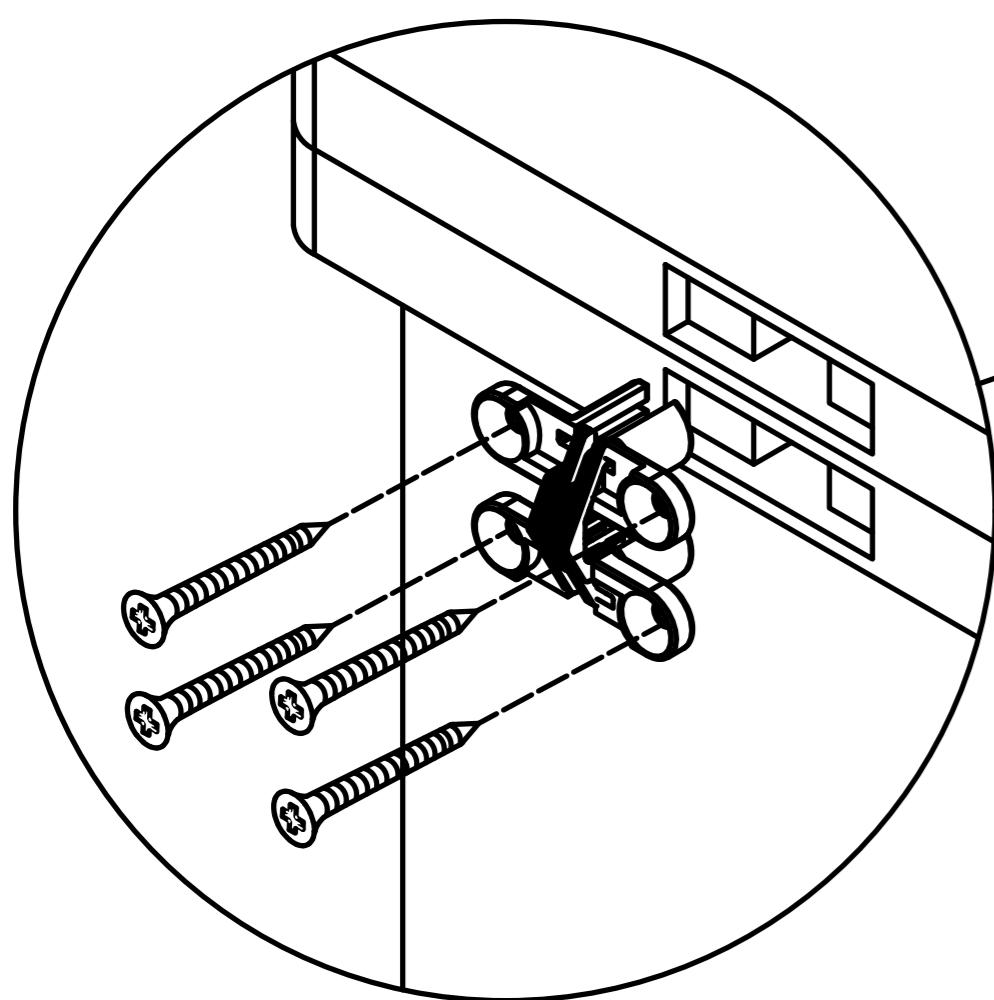
This hole is for strengthening fixed hole customers can choose to install according to their needs.

Step 31

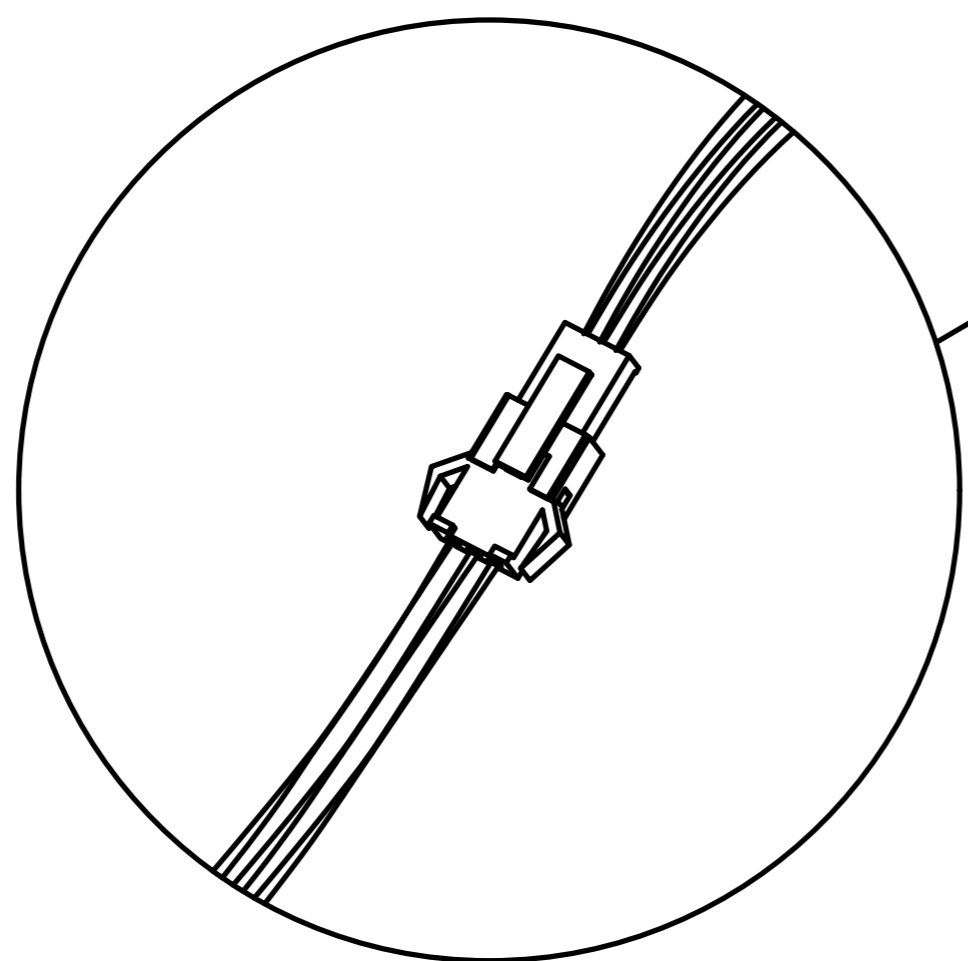
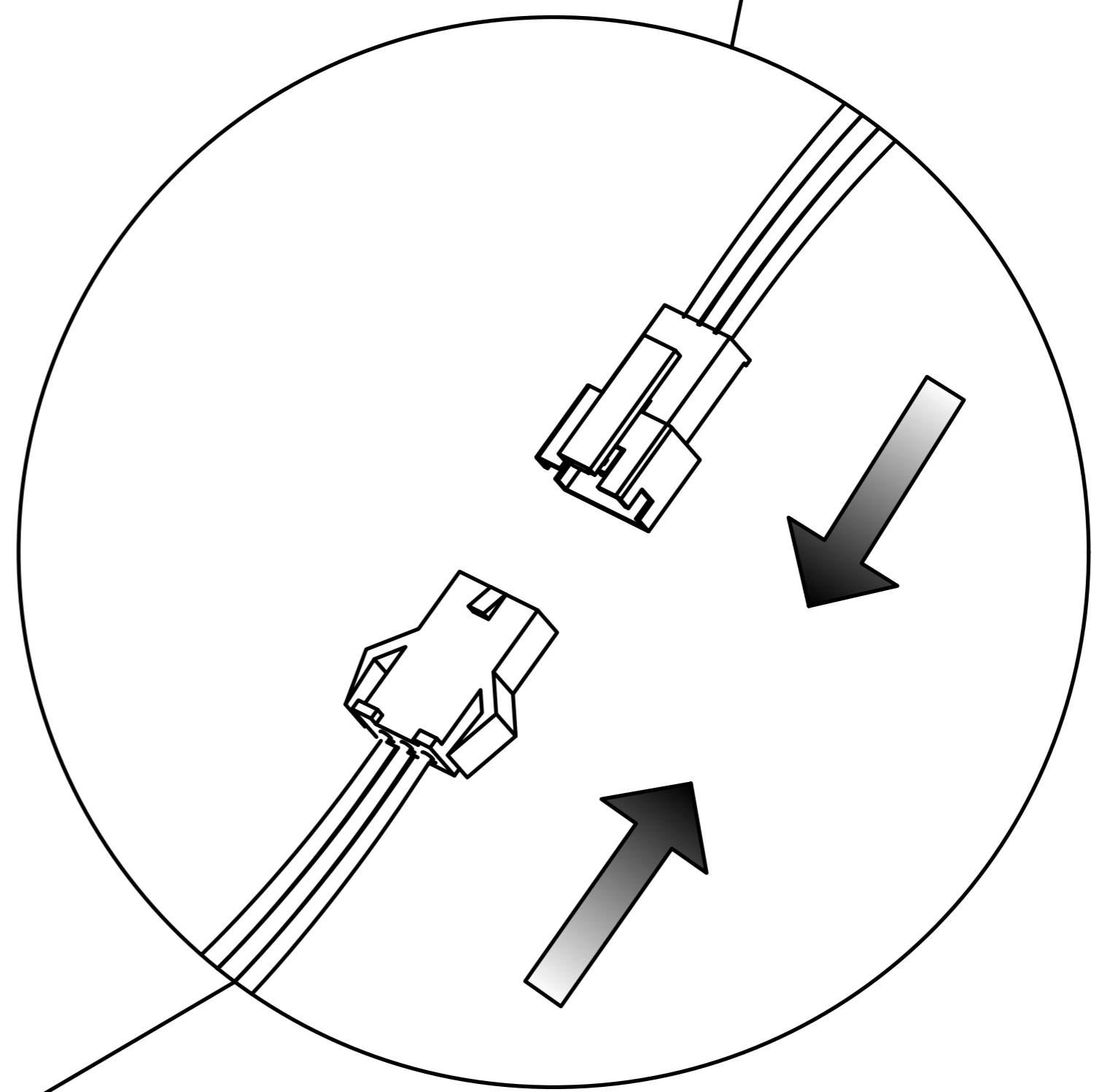
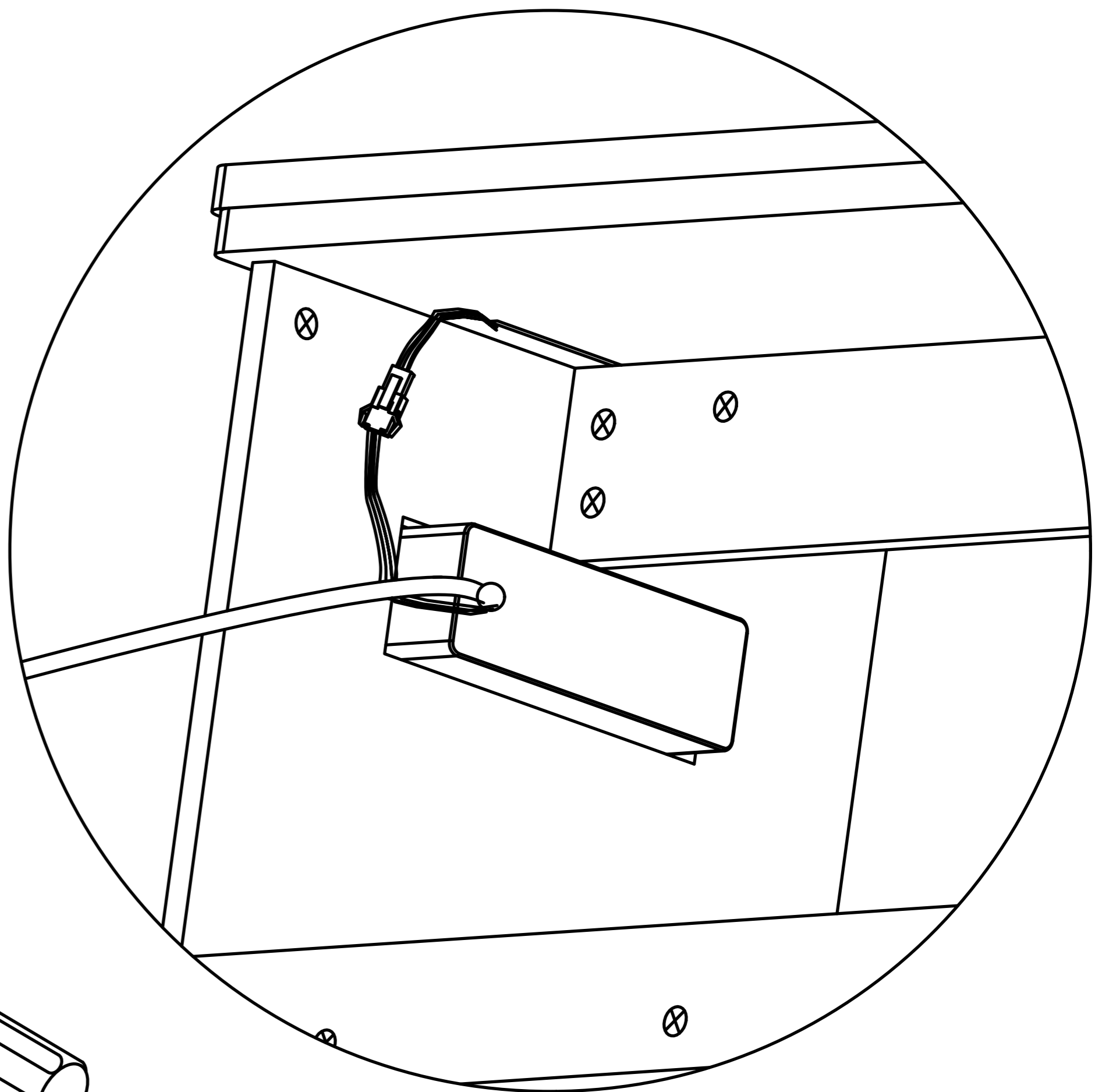
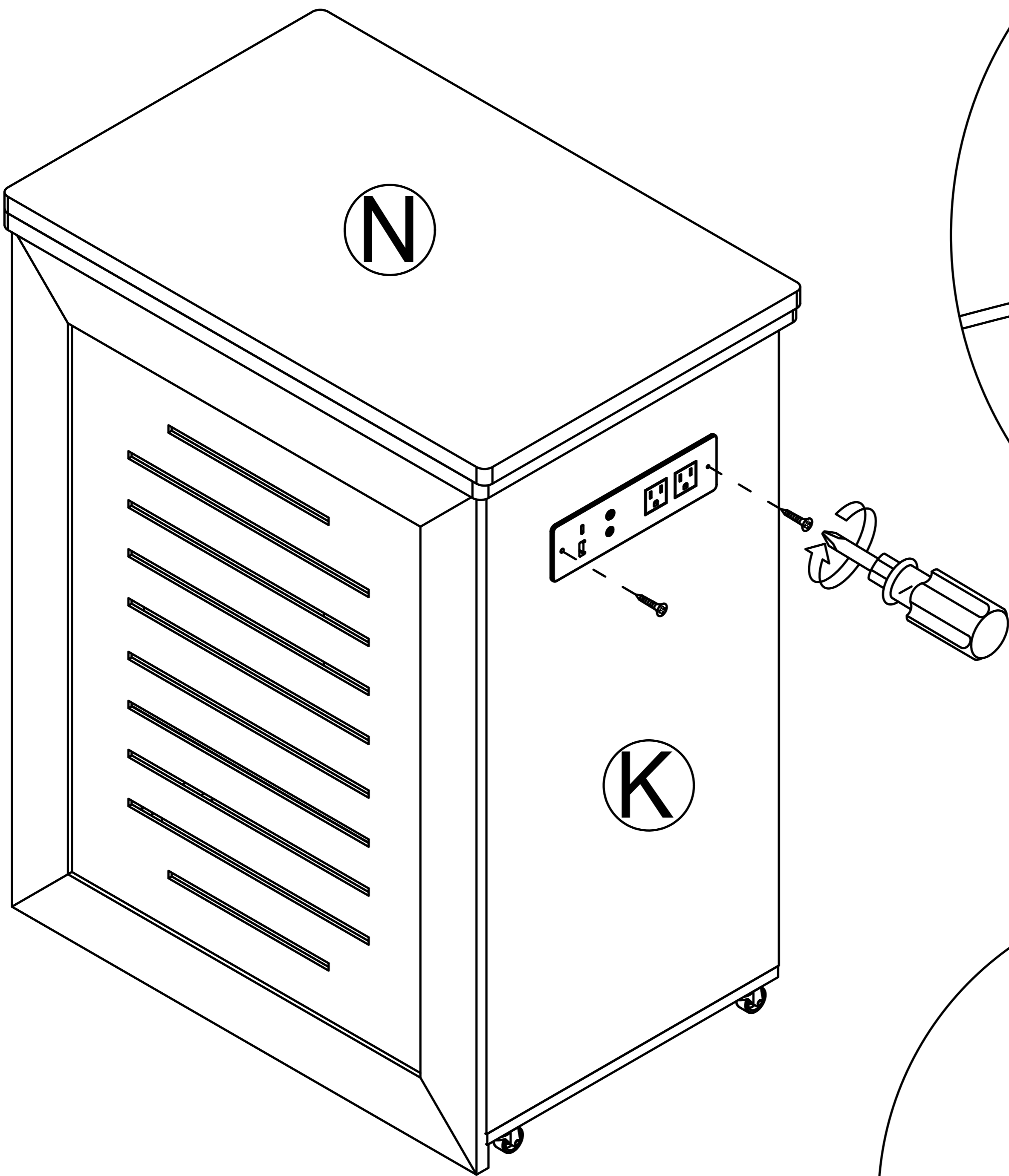
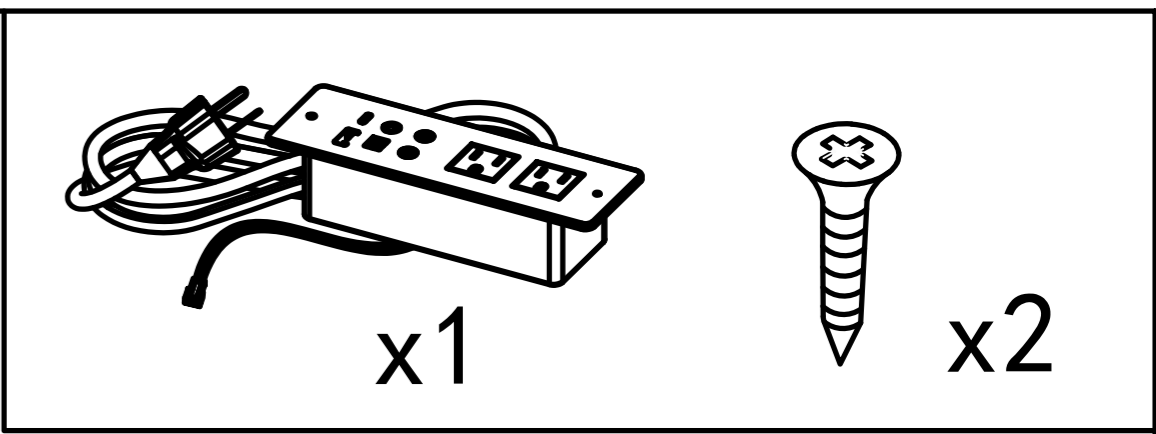


Step 32

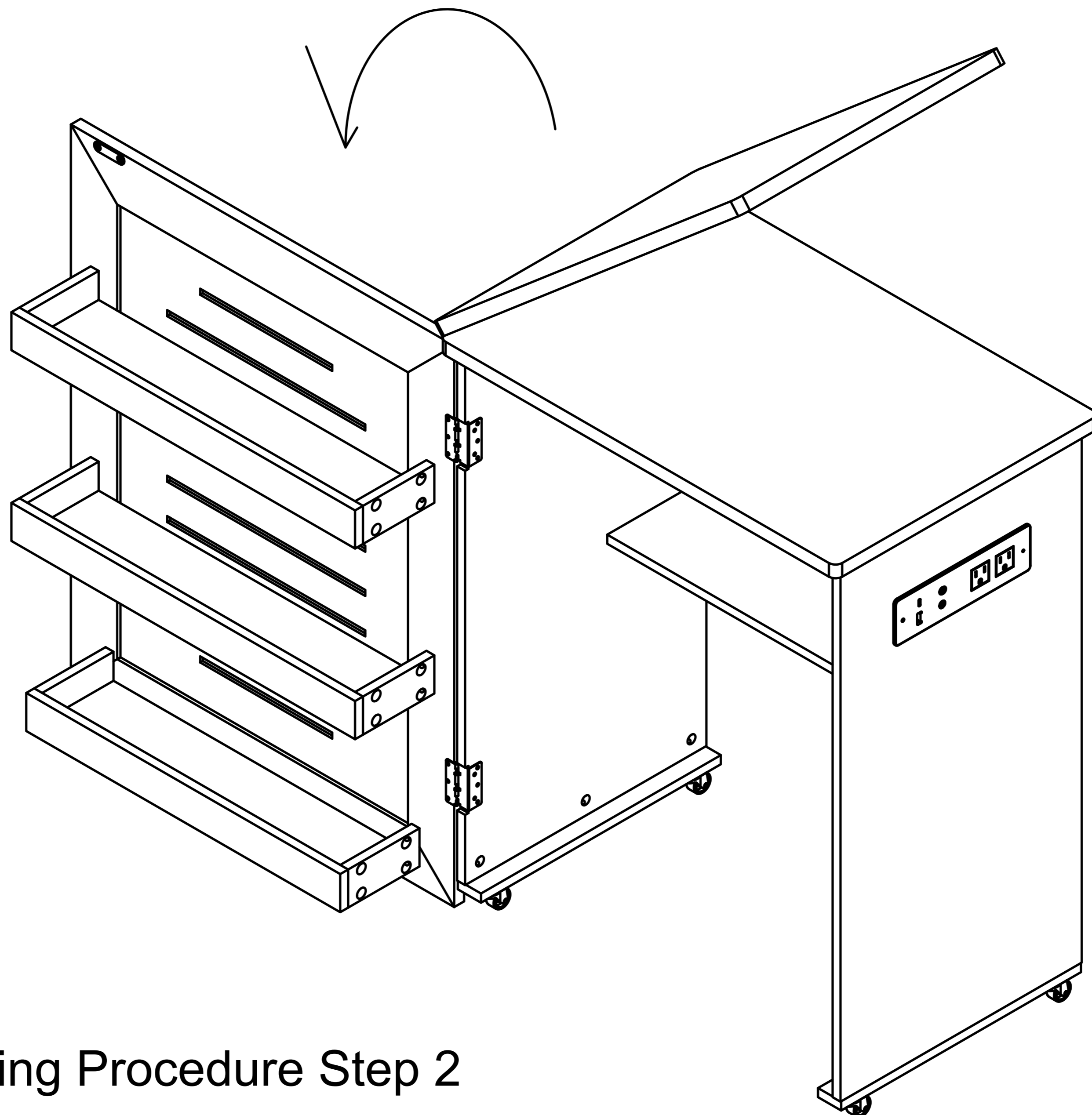
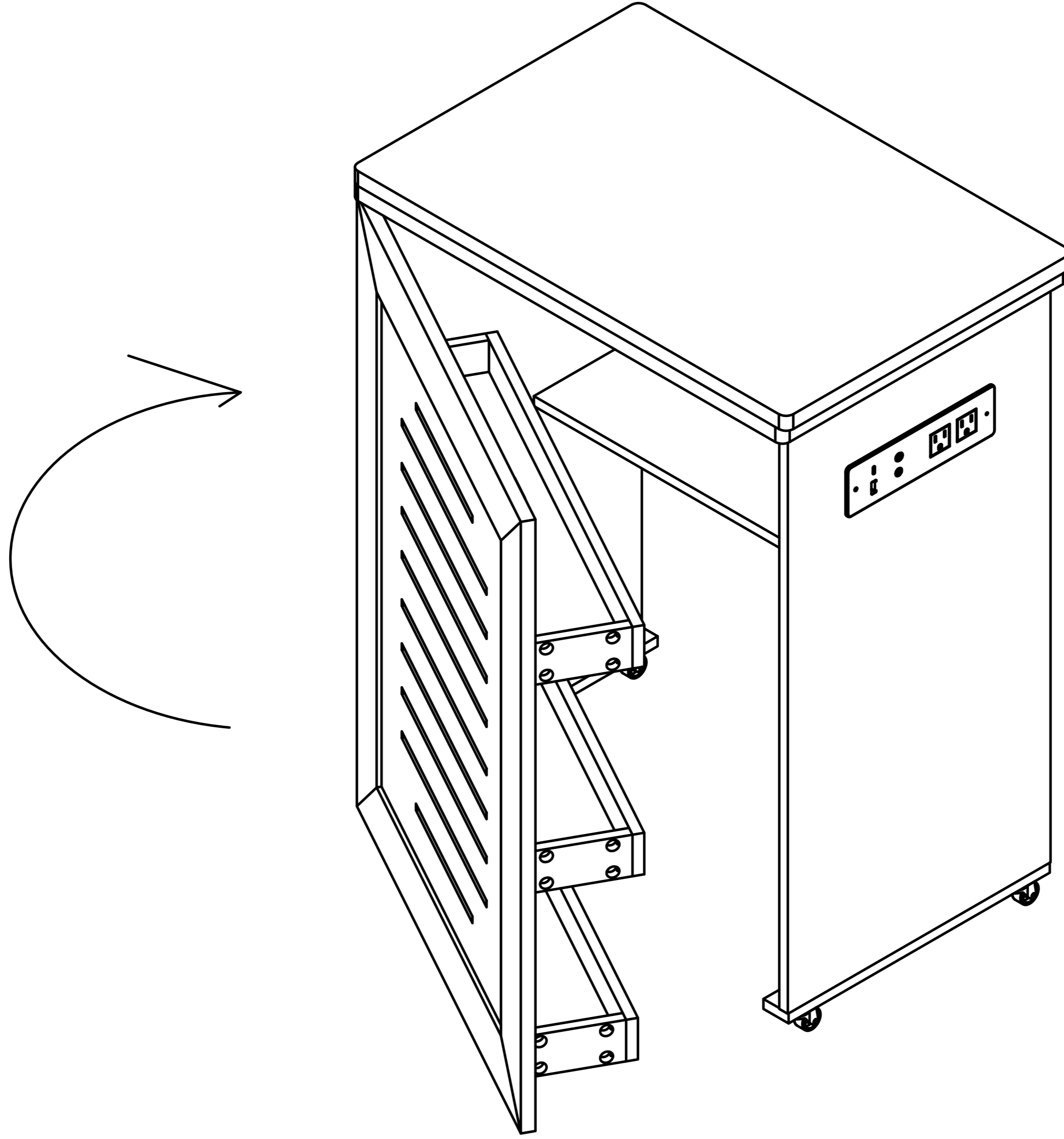
- 8
- x2
- x8



Step 33

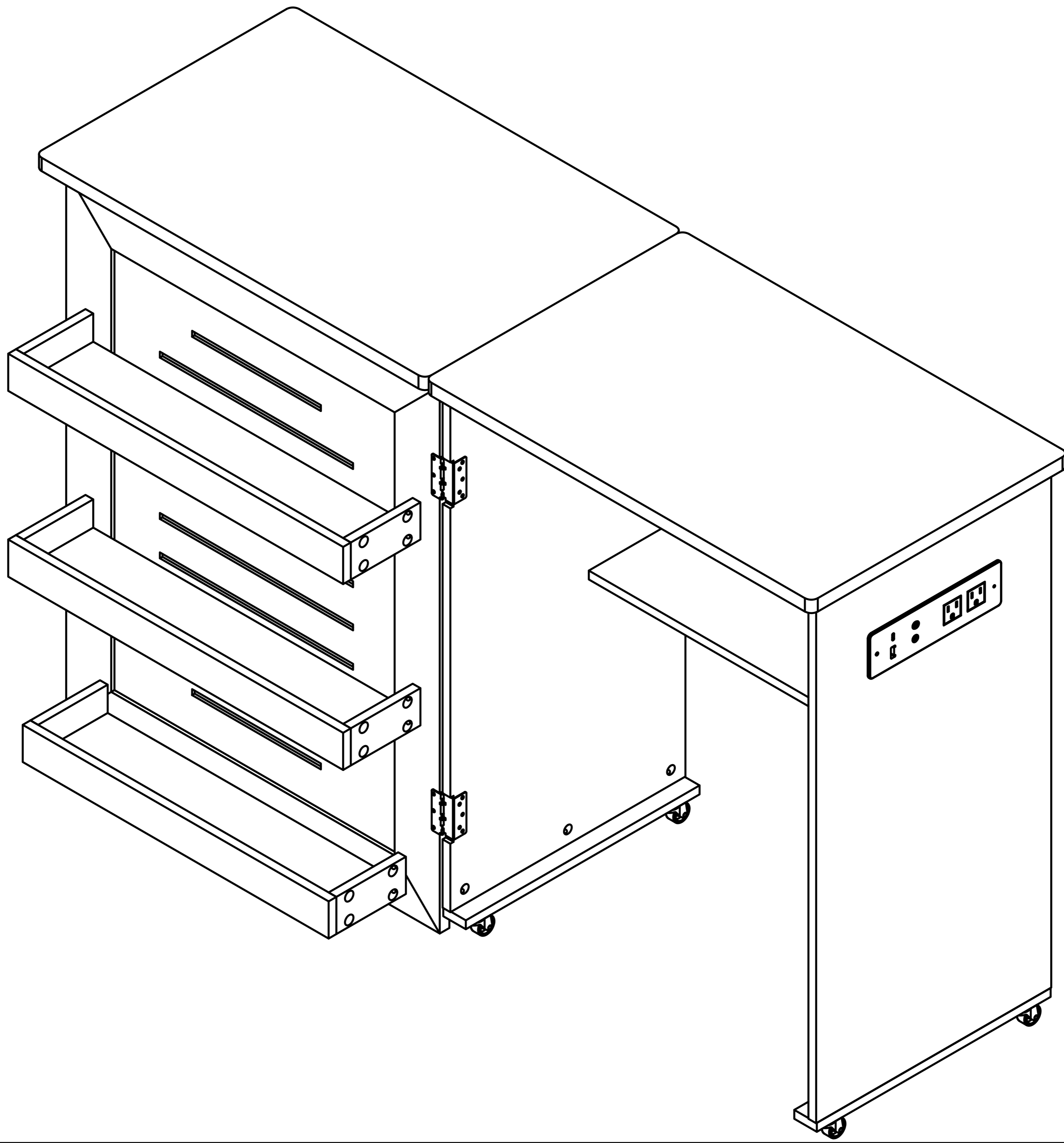


Cabinet Opening Procedure Step 1

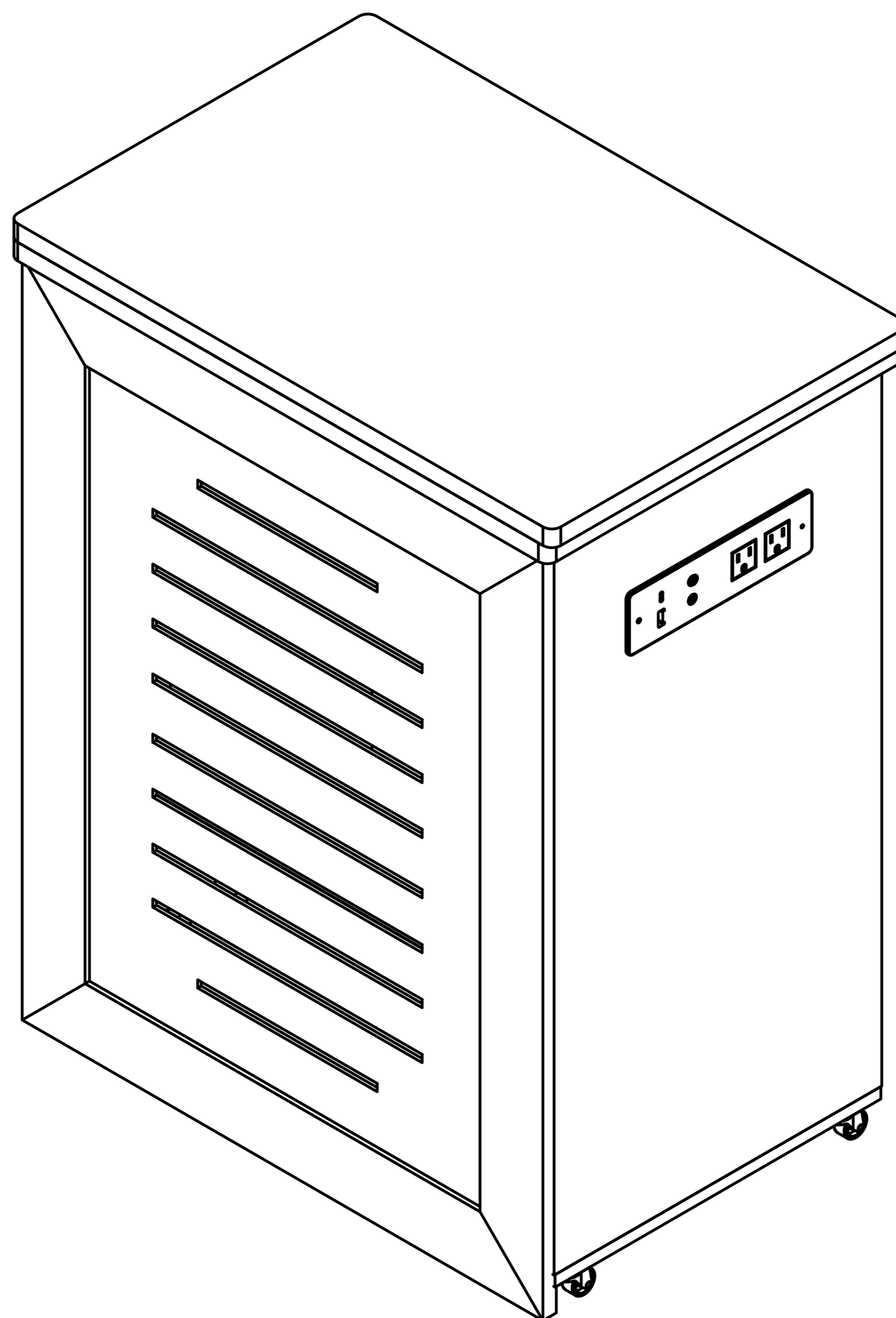


Cabinet Opening Procedure Step 2

Open



Close





Thank you for purchasing this product.

To use this product, please connect it to a power source.

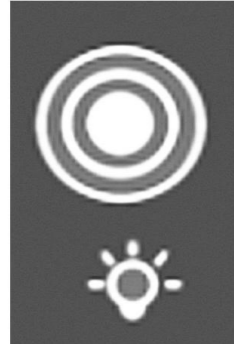
Please use if the product works normally after connecting to power.

Introduction

The box is an intelligent controller. It has 1 USB output port 1 Type-c port .

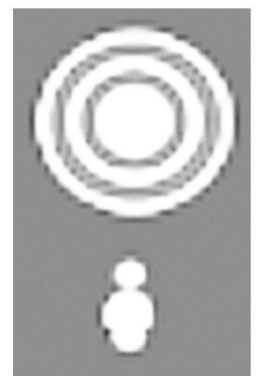
With 2 touch buttons, it can turn. ON/OFF the light, change light colors, and adjust the light luminance.it can and turn ON/OFF the induction function.

Operation



This touch button is used to turn on/off, change colors, and adjust brightness.

- A. Short touch -> lighting on -> short touch -> change light color -> short touch -> change light color -> short touch -> lighting off.
- B. Long touch -> adjust the luminance. (The brightness of each color can be adjusted individually)



This touch button is used to turn on/off the induction function.

- A. Short touch to turn on the induction function. It can auto-turn on the light when people are close to the controller in 1 meters. It can auto power off the light when the body is far away from the controller after 30 seconds.
- B. Long touch to turn off the induction function.
- C. Note: When you touch the light button to change the light modes, the induction function will automatically turn off. It is best to turn on this function after selecting the light color and adjusting the brightness you want.



ATTENTION PLEASE

- 1. If there is no touch response suddenly, Re-plug the power to reset the touch static electricity.
- 2. If you have any questions when installing, please feel free to contact us. Thank you.

